



US00D473245S

(12) **United States Design Patent**
Heitmann

(10) **Patent No.:** **US D473,245 S**

(45) **Date of Patent:** **** Apr. 15, 2003**

(54) **RUBBER TRACK APPARATUS**

5,354,124 A * 10/1994 James 305/162

(76) Inventor: **Gerald D. Heitmann**, P.O. Box 97,
Lake City, SD (US) 57247

* cited by examiner

Primary Examiner—Mitchell Siegel

(**) Term: **14 Years**

(57) **CLAIM**

(21) Appl. No.: **29/158,469**

The ornamental design for a rubber track apparatus, as shown and described.

(22) Filed: **Apr. 4, 2002**

DESCRIPTION

(51) **LOC (7) Cl.** **15-03**

(52) **U.S. Cl.** **D15/28**

(58) **Field of Search** D15/24, 28; 152/352,
152/353, 209.12, 209.11, 209.14; 305/170,
200, 202, 180, 40, 53, 162, 181

FIG. 1 is a top plan view thereof;
FIG. 2 is a left side elevational view thereof;
FIG. 3 is a plan bottom view thereof;
FIG. 4 is a right side elevational view thereof;
FIG. 5 is a front elevational view thereof;
FIG. 6 is a rear elevational view thereof; and,
FIG. 7 is a perspective view of a rubber track apparatus showing my new design.

(56) **References Cited**

U.S. PATENT DOCUMENTS

4,332,424 A * 6/1982 Thompson 305/180

5,265,949 A * 11/1993 Haug 305/181

1 Claim, 3 Drawing Sheets

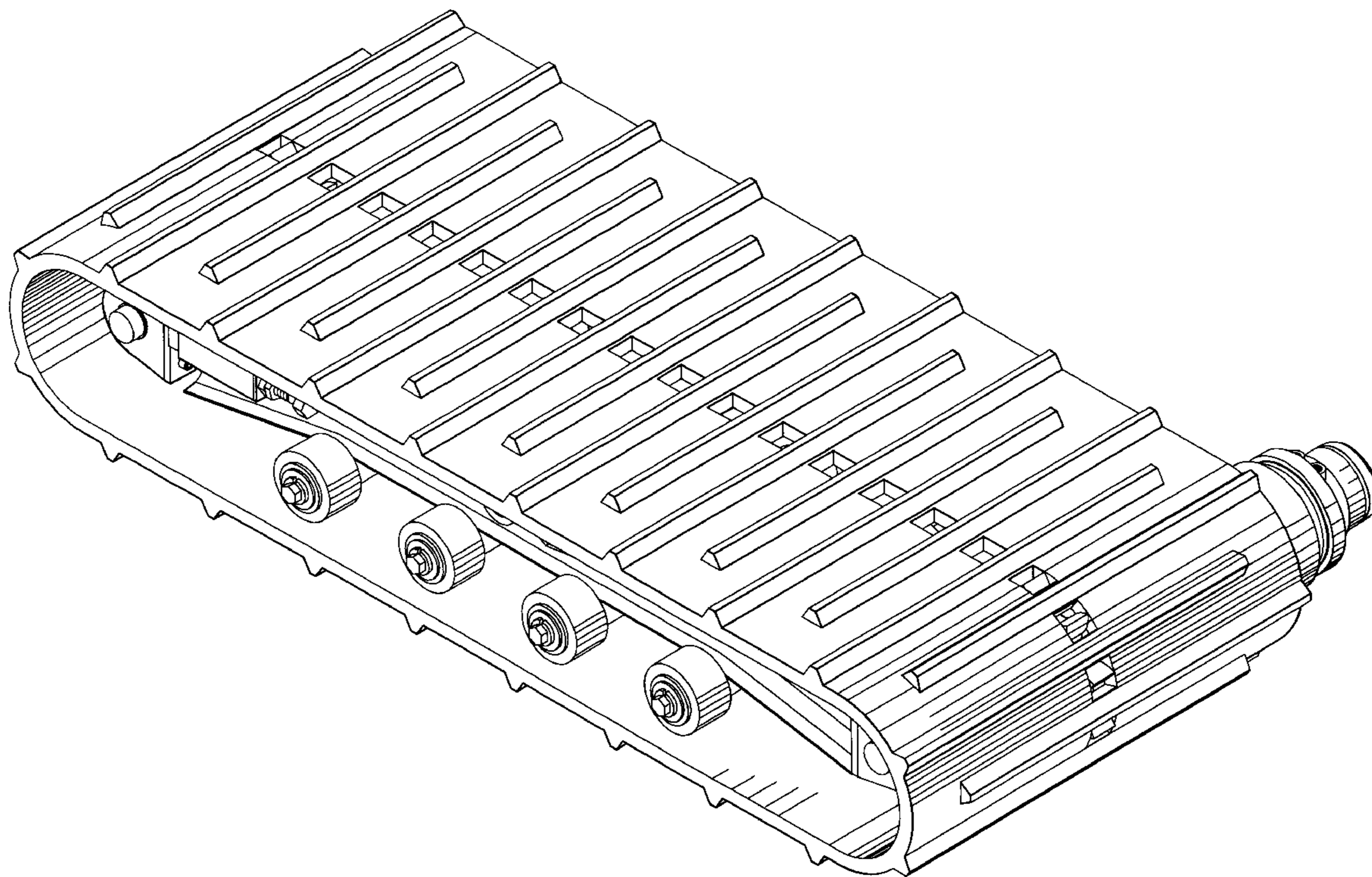


FIG 1

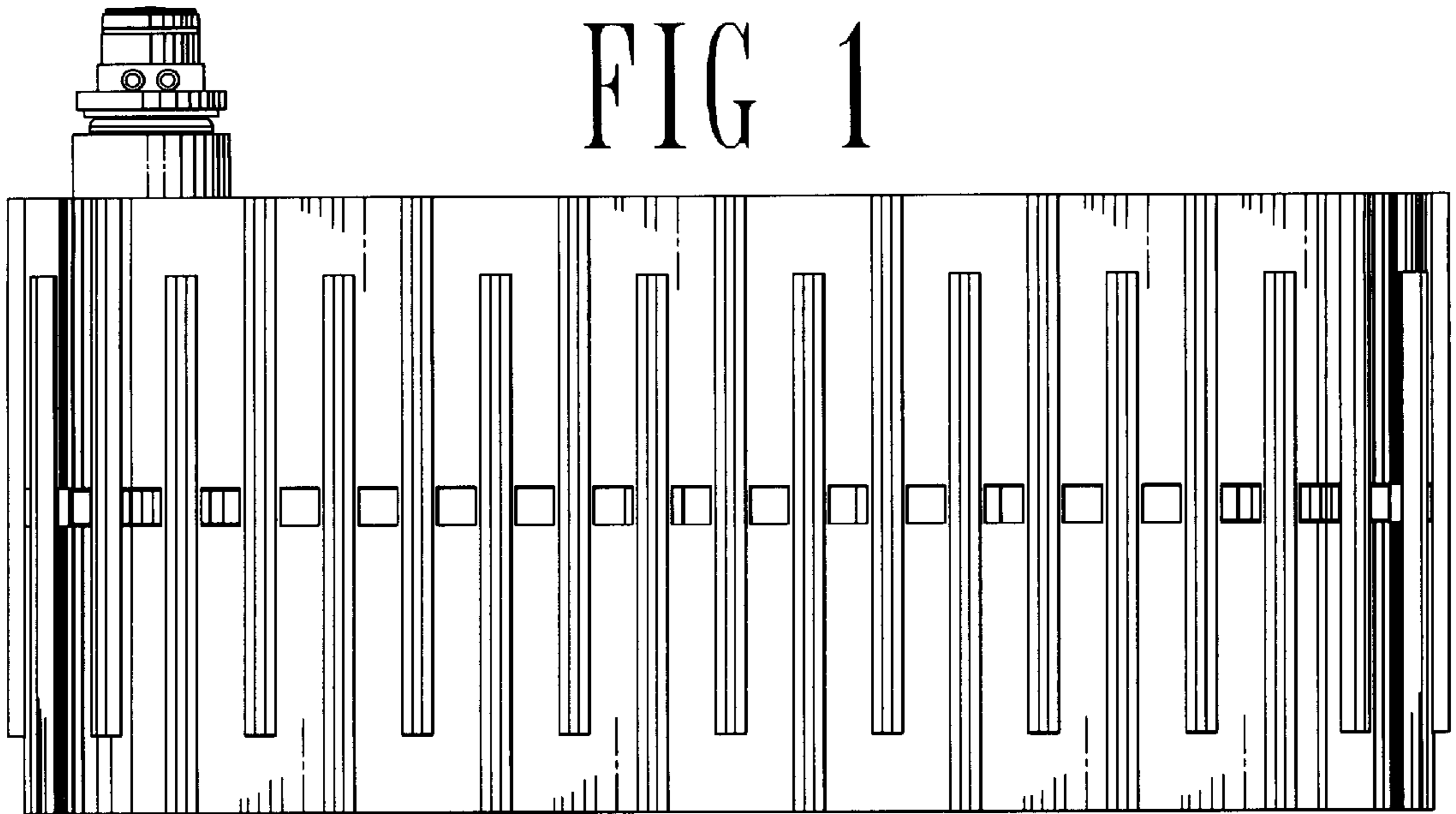


FIG 2

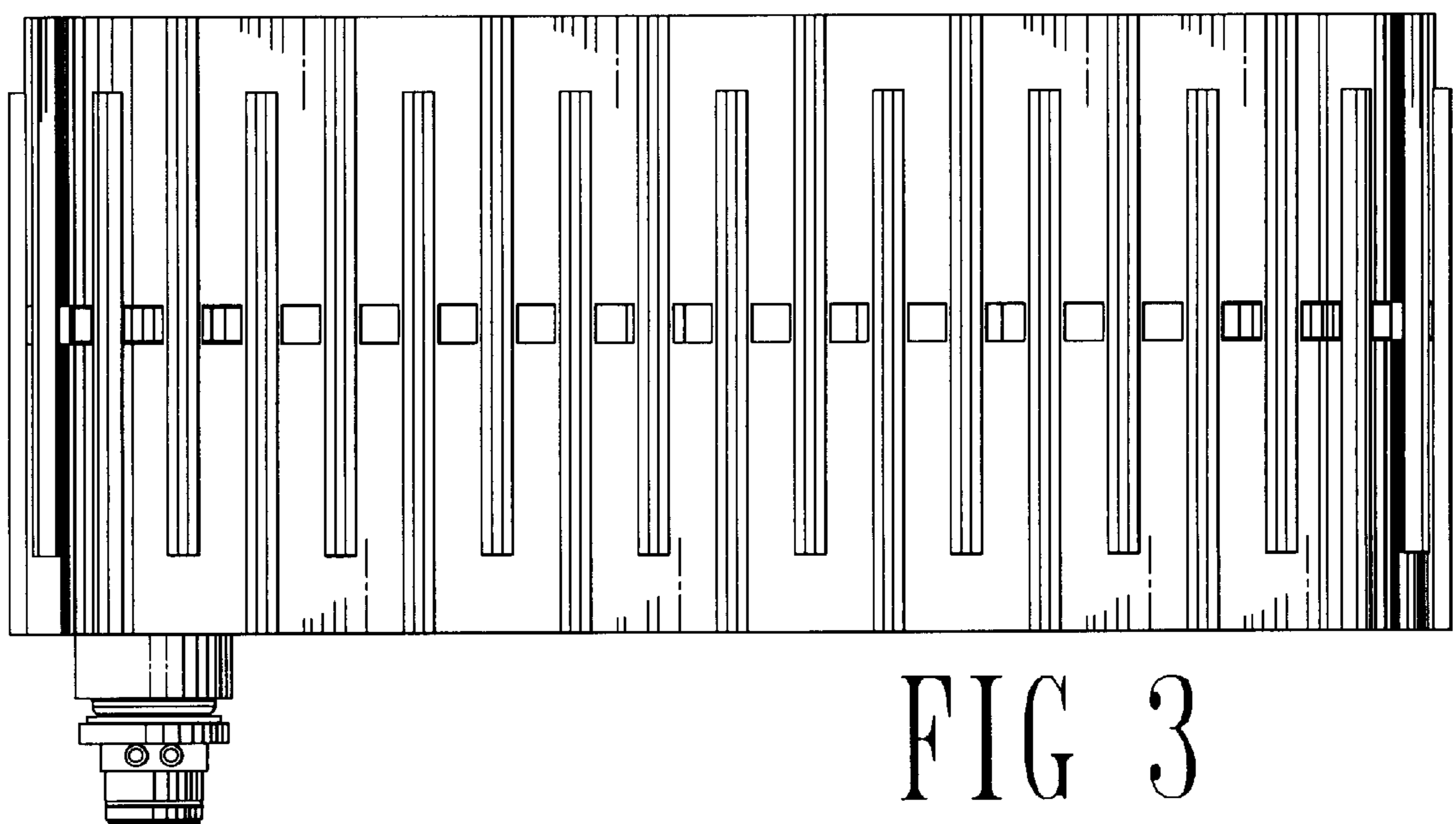
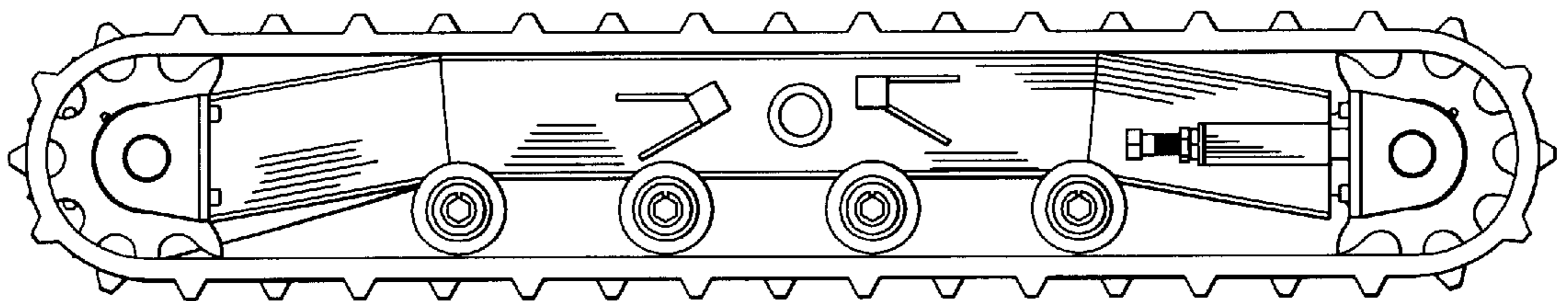


FIG 3

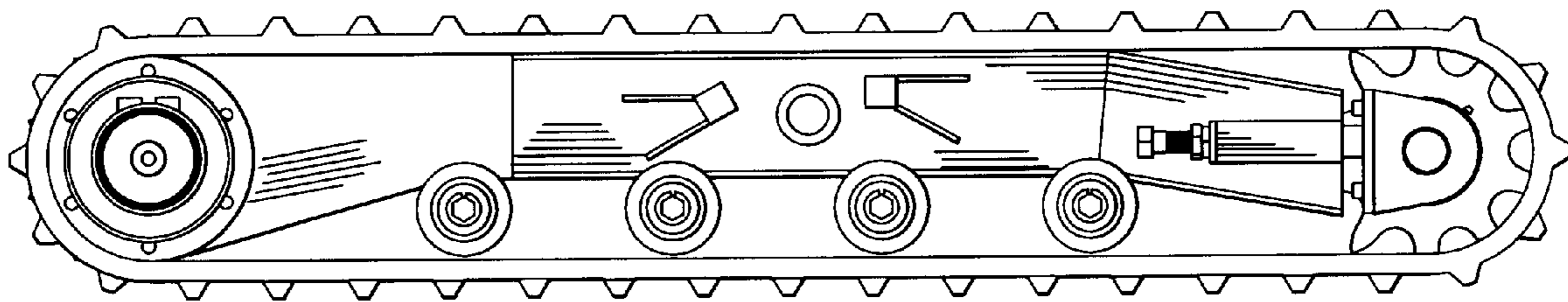


FIG 4

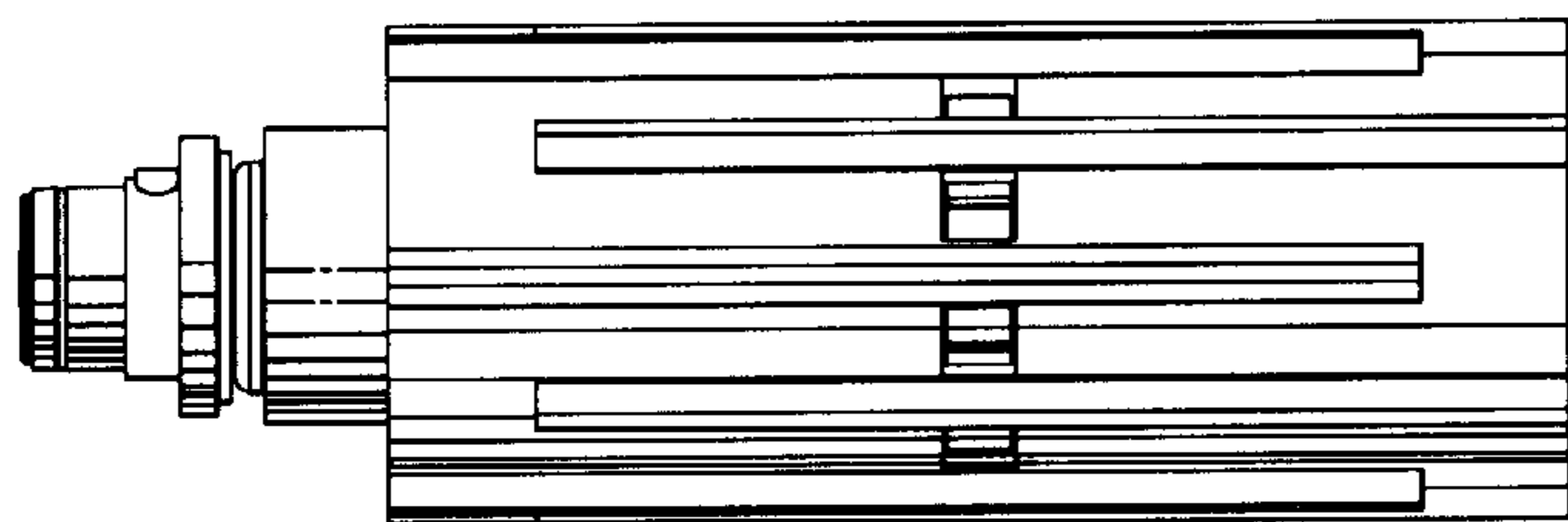


FIG 5

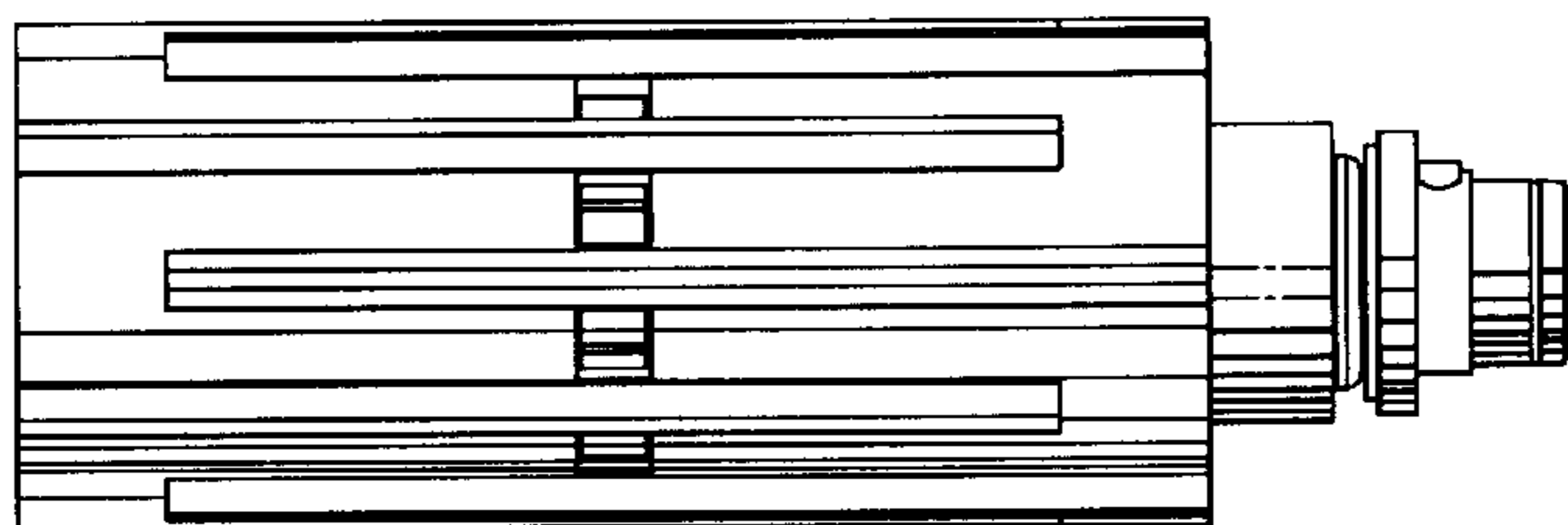


FIG 6

FIG 7

