



US00D473241S

(12) **United States Design Patent**
Ito

(10) **Patent No.:** **US D473,241 S**

(45) **Date of Patent:** **** Apr. 15, 2003**

(54) **INTERNAL COMBUSTION ENGINE**

(75) **Inventor:** **Jun Ito, Asaka (JP)**

(73) **Assignee:** **Honda Giken Kogyo Kabushiki Kaisha, Tokyo (JP)**

(**) **Term:** **14 Years**

(21) **Appl. No.:** **29/163,925**

(22) **Filed:** **Jul. 16, 2002**

(30) **Foreign Application Priority Data**

Jan. 18, 2002 (JP) 2002-001077

(51) **LOC (7) Cl.** **15-01**

(52) **U.S. Cl.** **D15/1**

(58) **Field of Search** D15/1; 123/156 BA,
123/50 A, 306, 41.7, 308, 198 E, 661, 667;
46/39, 78, 249

(56) **References Cited**

U.S. PATENT DOCUMENTS

D379,995 S * 6/1997 Gilmore D15/1

D392,647 S * 3/1998 Ueda et al. D15/1

D396,045 S * 7/1998 Neeley D15/1

D414,499 S * 9/1999 Ohi et al. D15/1

* cited by examiner

Primary Examiner—Melody N. Brown

(74) *Attorney, Agent, or Firm*—Blank Rome LLP

(57) **CLAIM**

The ornamental design for an internal combustion engine, as shown and described.

DESCRIPTION

FIG. 1 is a right side view of an internal combustion engine showing a new design;

FIG. 2 is a left side view thereof;

FIG. 3 is a top plan view thereof;

FIG. 4 is a bottom view thereof;

FIG. 5 is a front view thereof;

FIG. 6 is a rear view thereof;

FIG. 7 is a front perspective view thereof; and,

FIG. 8 is a rear perspective view.

1 Claim, 4 Drawing Sheets



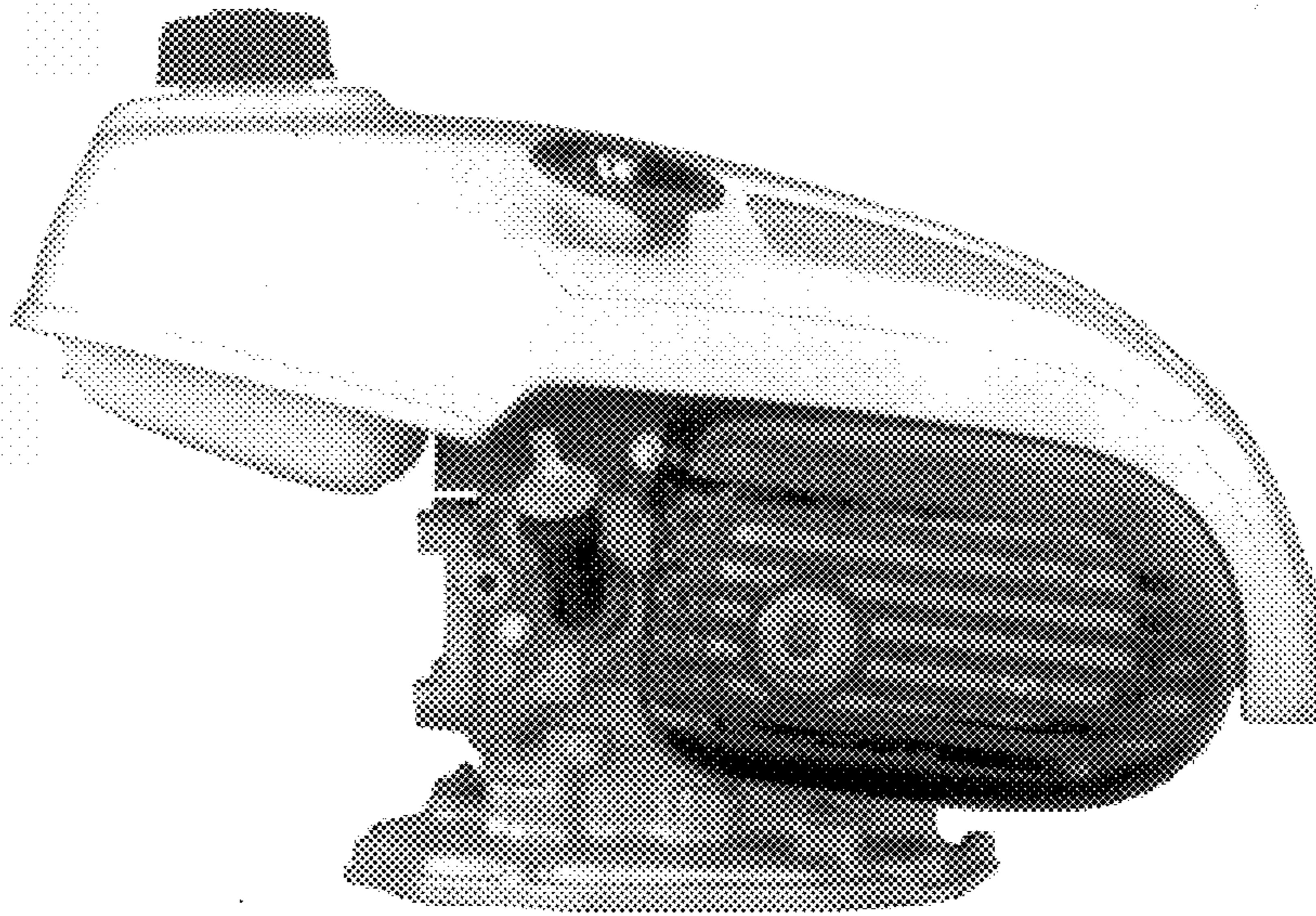


FIG. 2

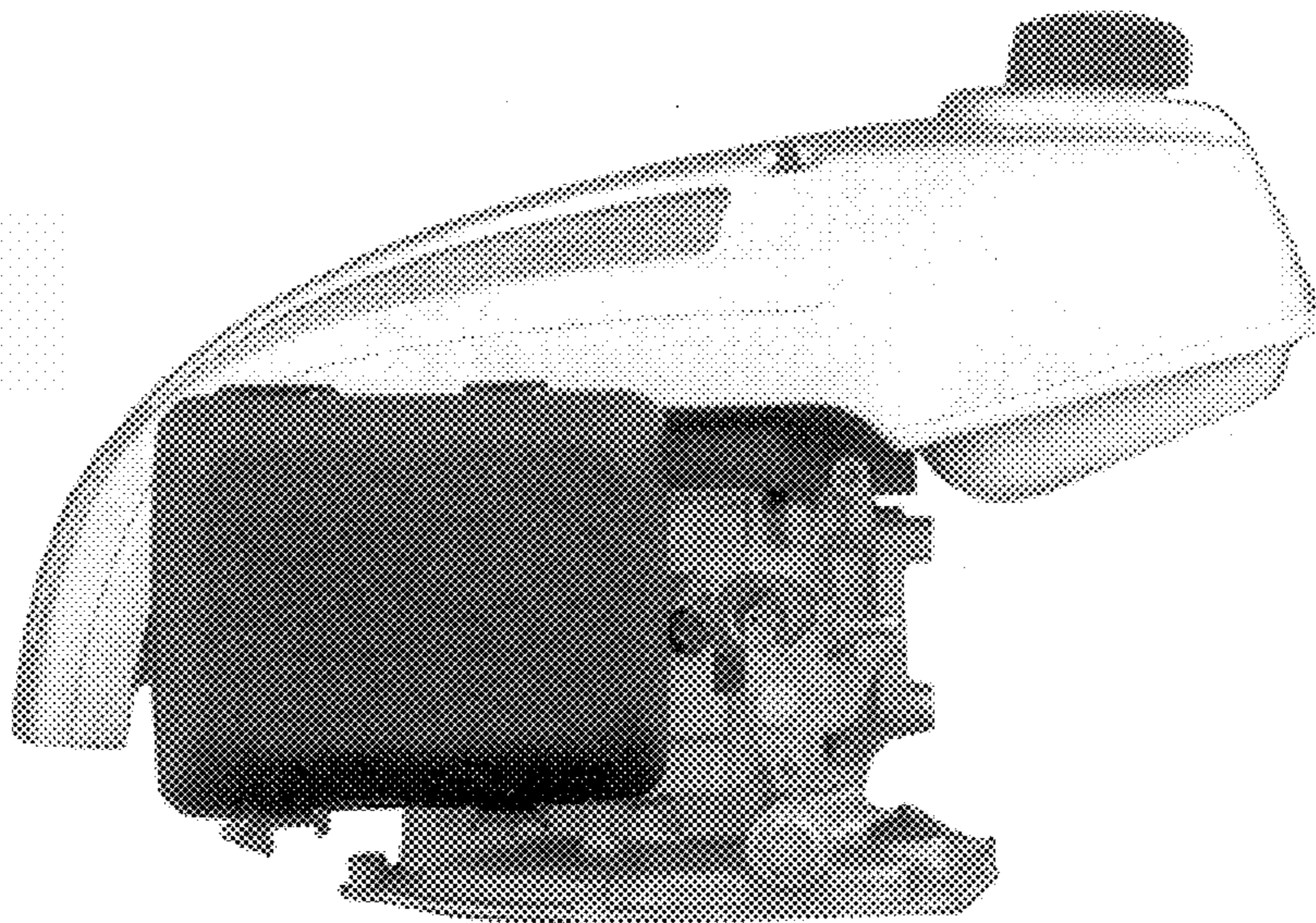


FIG. 1

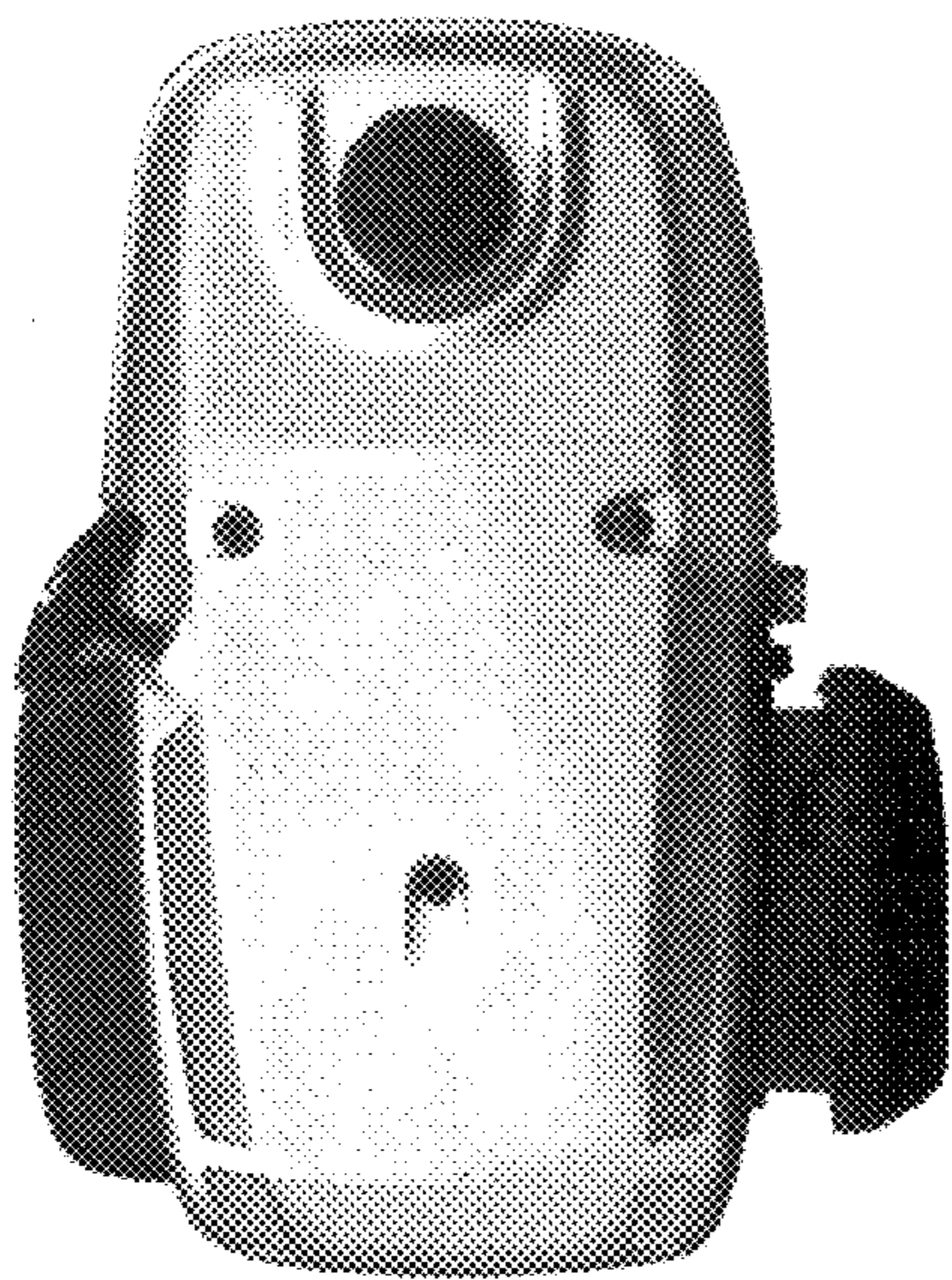


FIG. 3

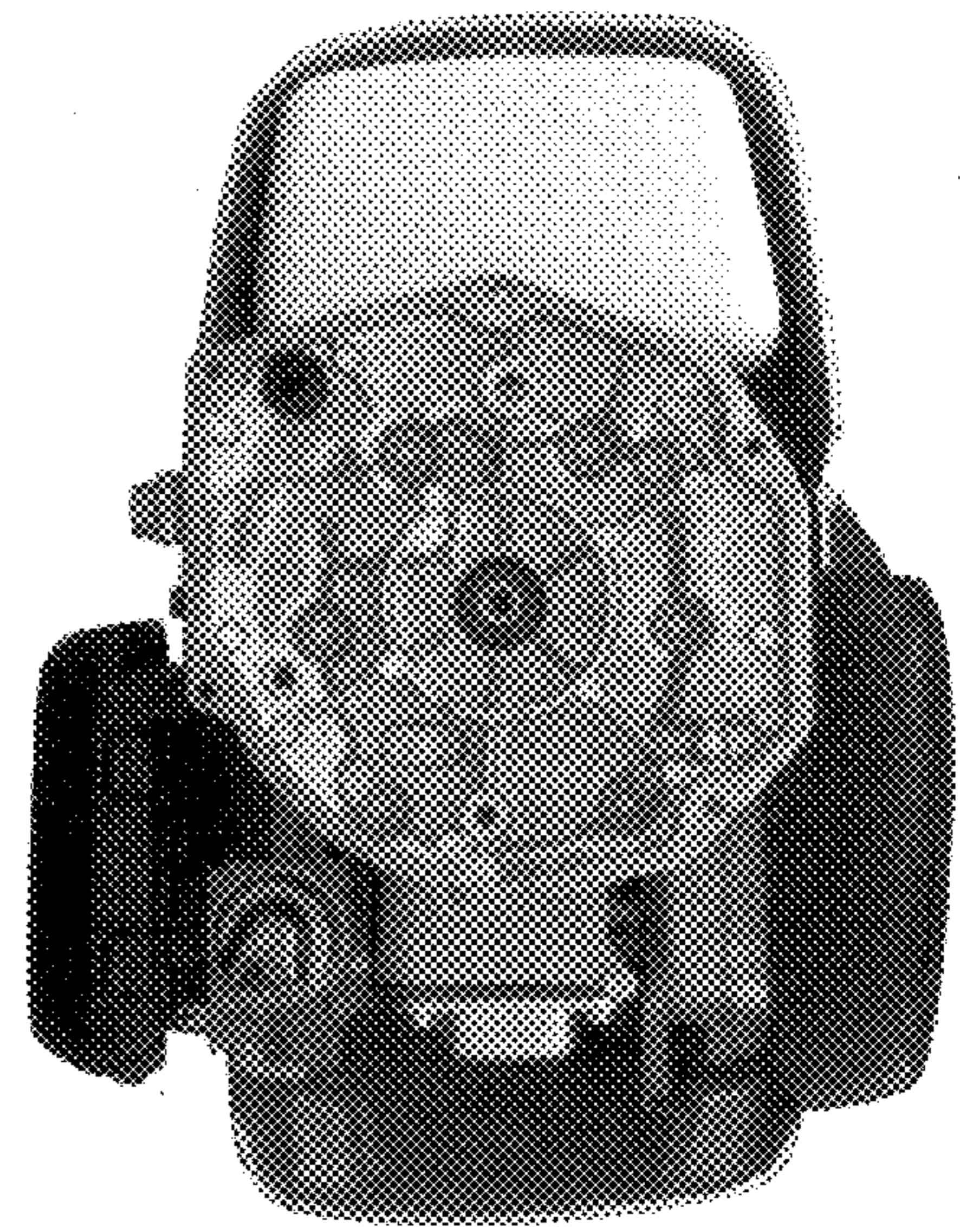


FIG. 4

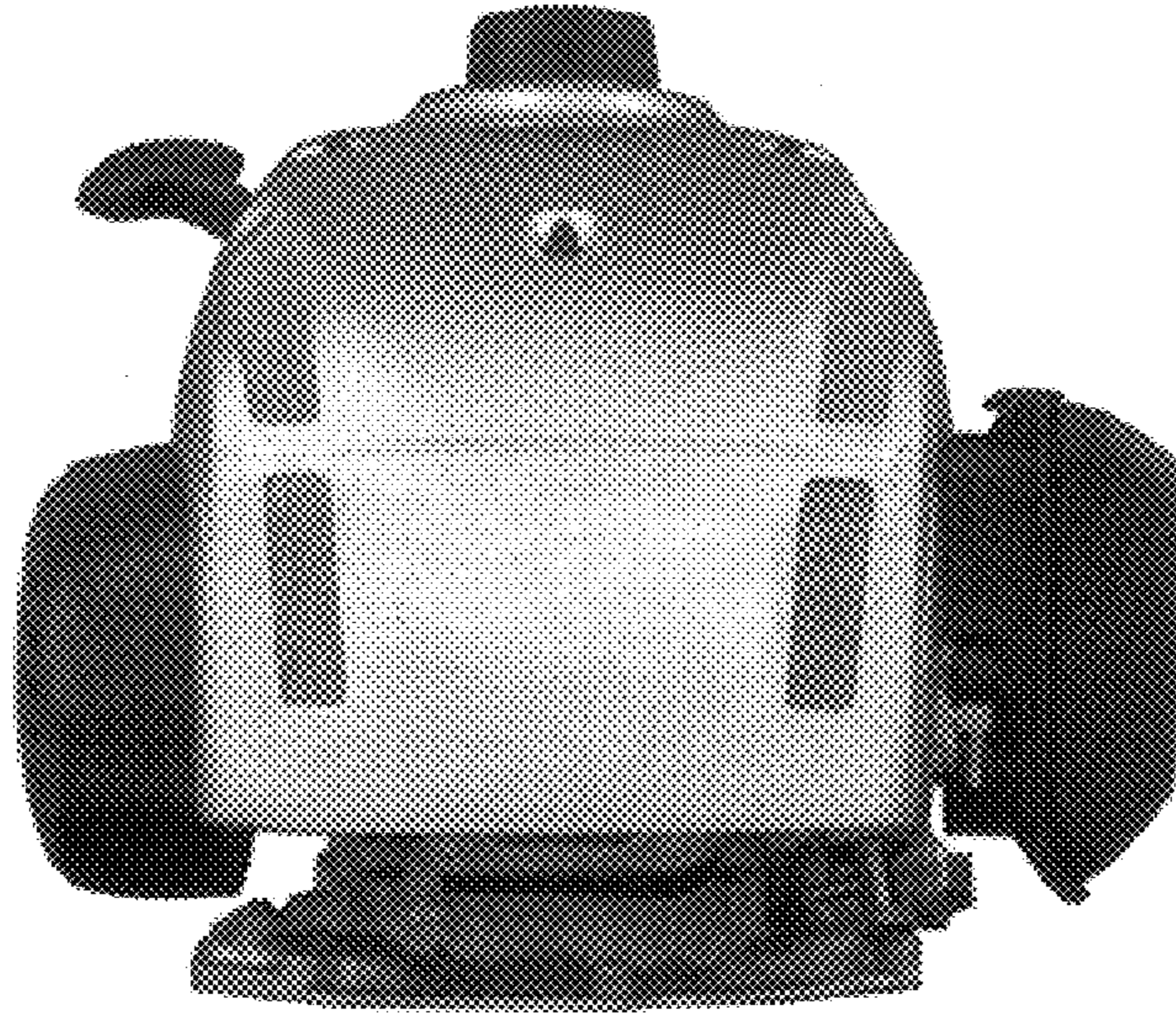


FIG. 5

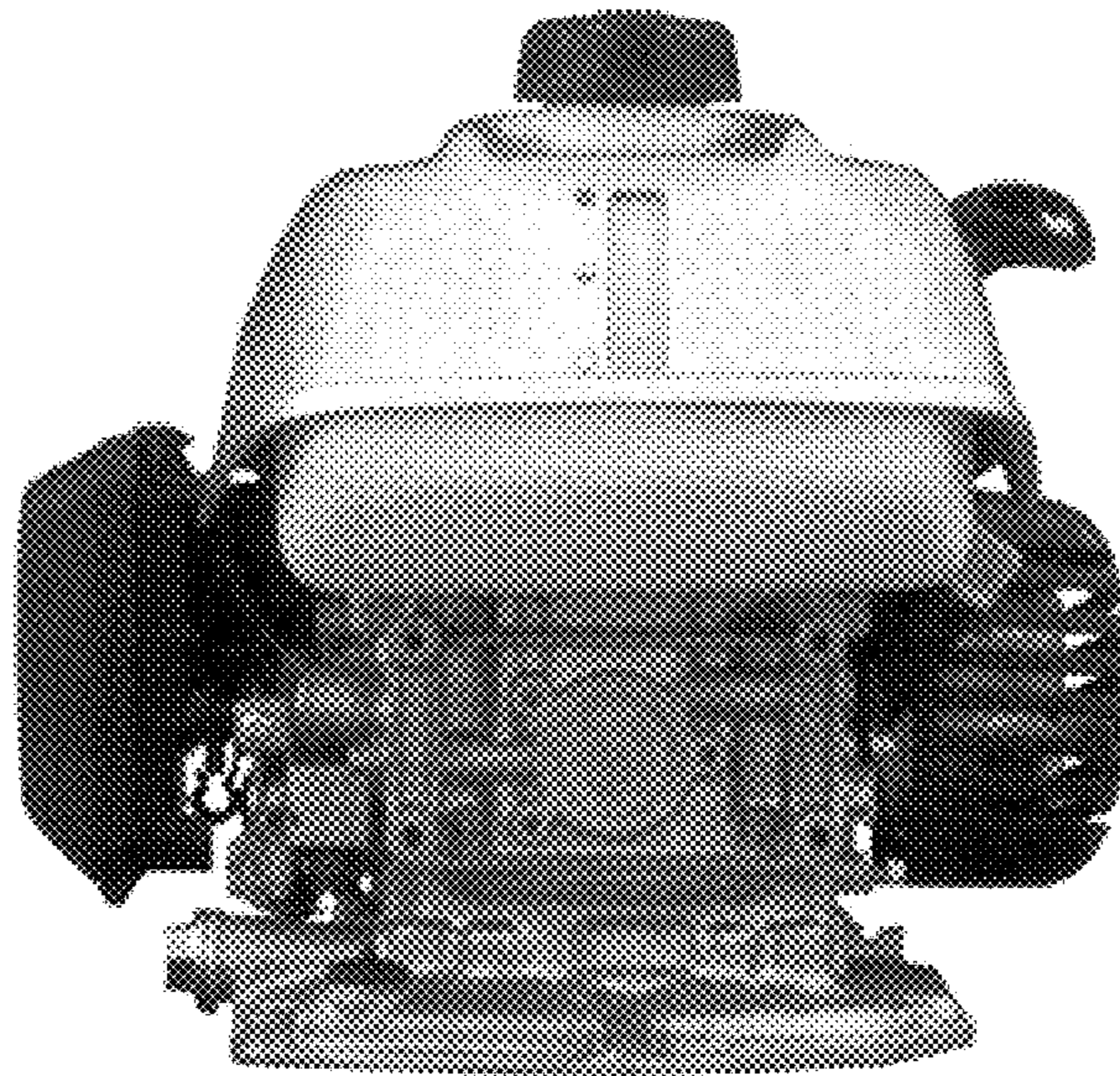


FIG. 6

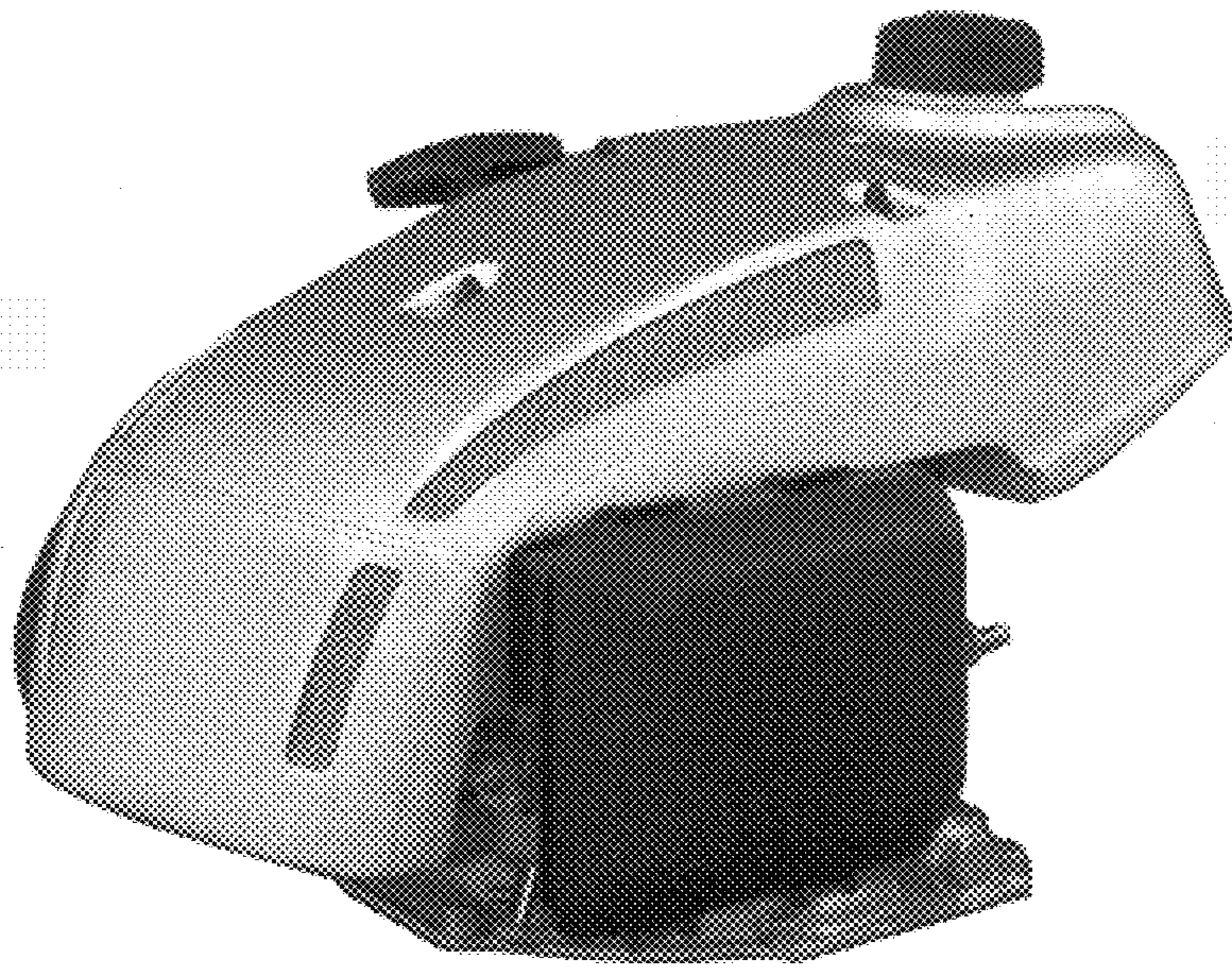


FIG. 7

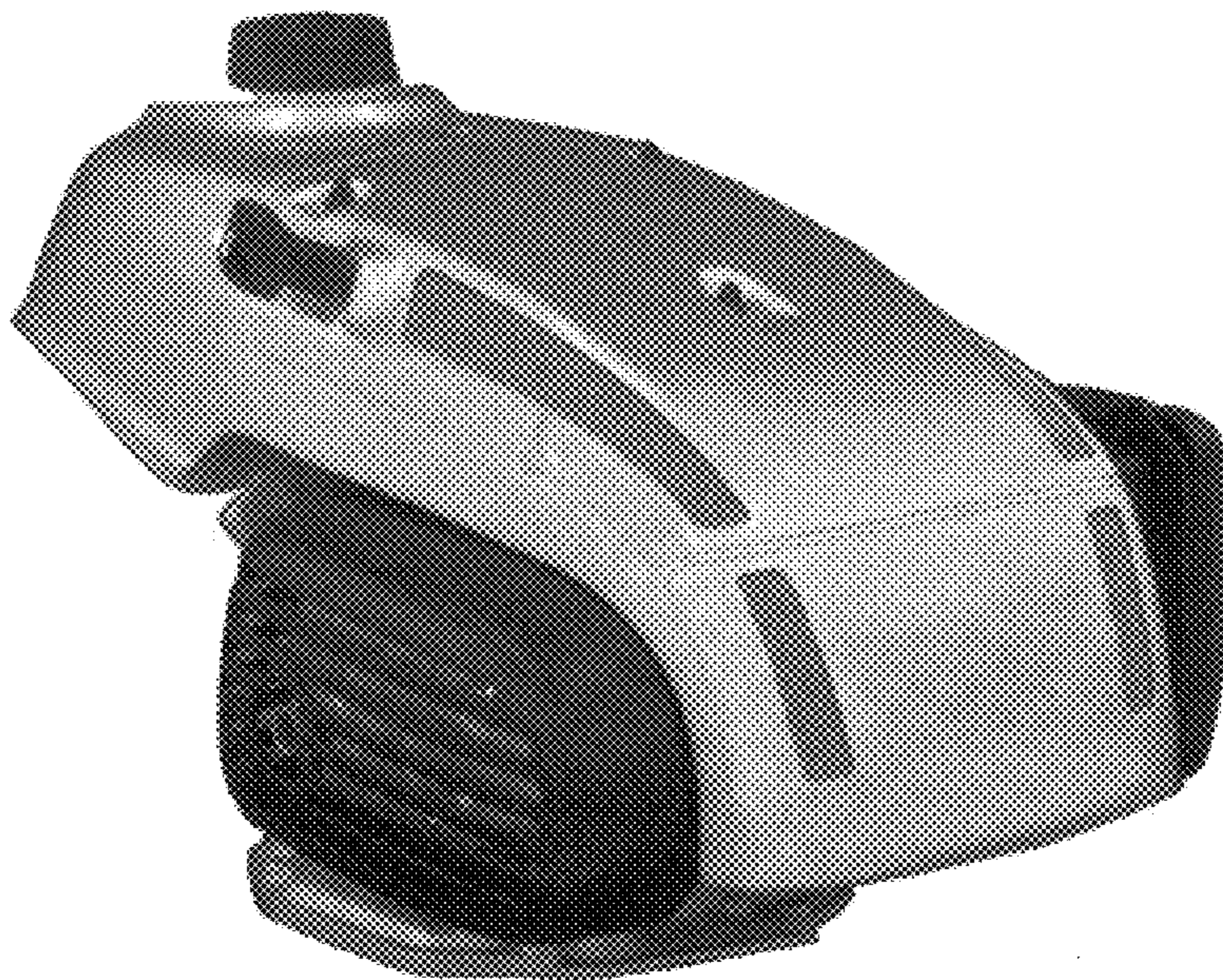


FIG. 8