



US00D473235S

(12) **United States Design Patent**
Loftus

(10) **Patent No.:** **US D473,235 S**

(45) **Date of Patent:** **** Apr. 15, 2003**

(54) **COMPUTER TOWER FACE**

(75) Inventor: **John Loftus**, Laguna Beach, CA (US)

(73) Assignee: **eMachines, Inc.**, Irvine, CA (US)

(**) Term: **14 Years**

(21) Appl. No.: **29/157,913**

(22) Filed: **Mar. 25, 2002**

(51) **LOC (7) Cl.** **14-02**

(52) **U.S. Cl.** **D14/444**

(58) **Field of Search** D14/441-446;
D13/162, 184, 199; 312/223.2; 361/680-686

(56) **References Cited**

U.S. PATENT DOCUMENTS

- 5,169,218 A * 12/1992 Chu 312/223.2
- D435,560 S * 12/2000 Jean et al. D14/444
- D453,518 S * 2/2002 Jean et al. D14/444

* cited by examiner

Primary Examiner—Freda Nunn

(74) *Attorney, Agent, or Firm*—Sheppard, Mullin, Richter & Hampton LLP

(57) **CLAIM**

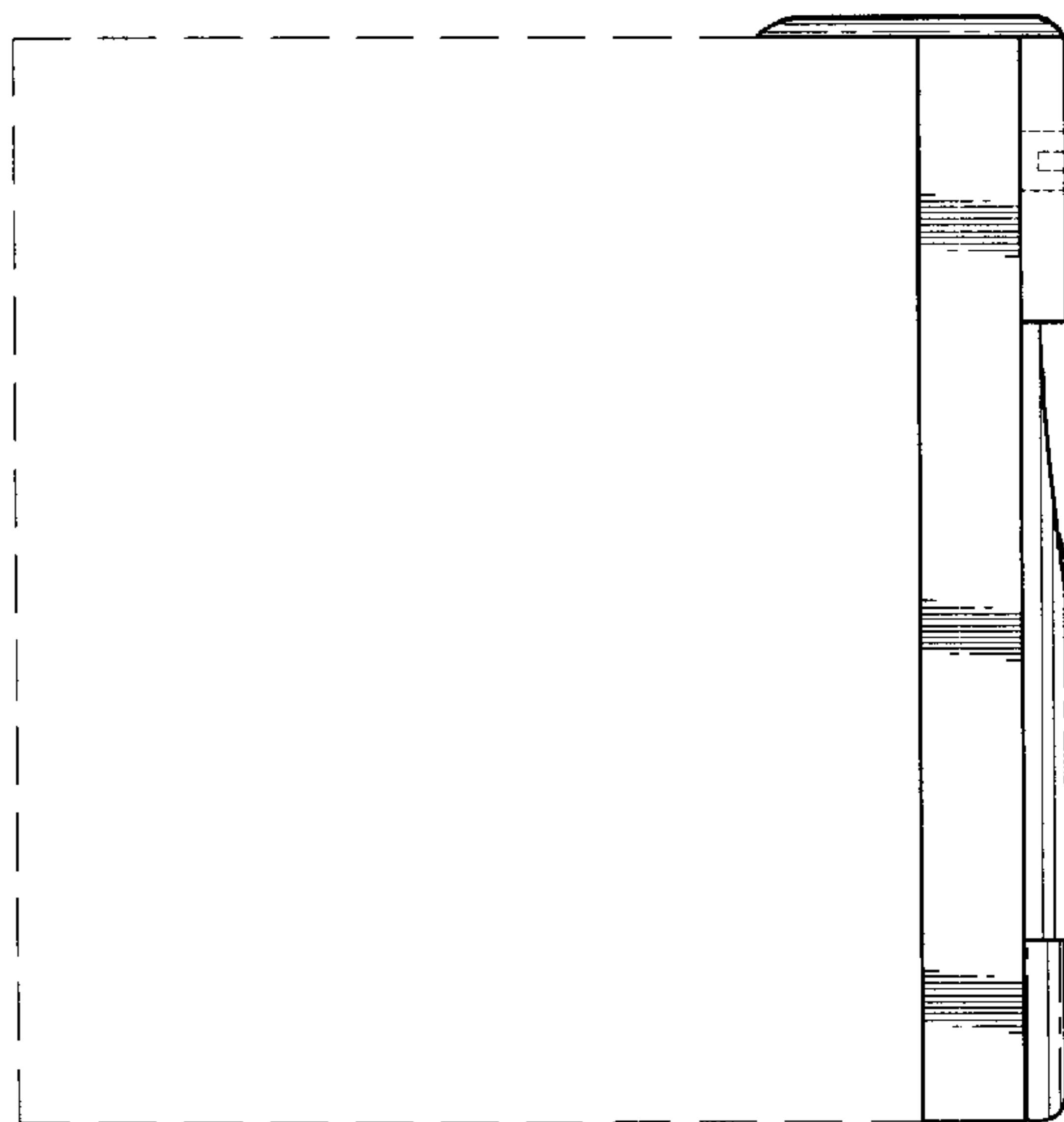
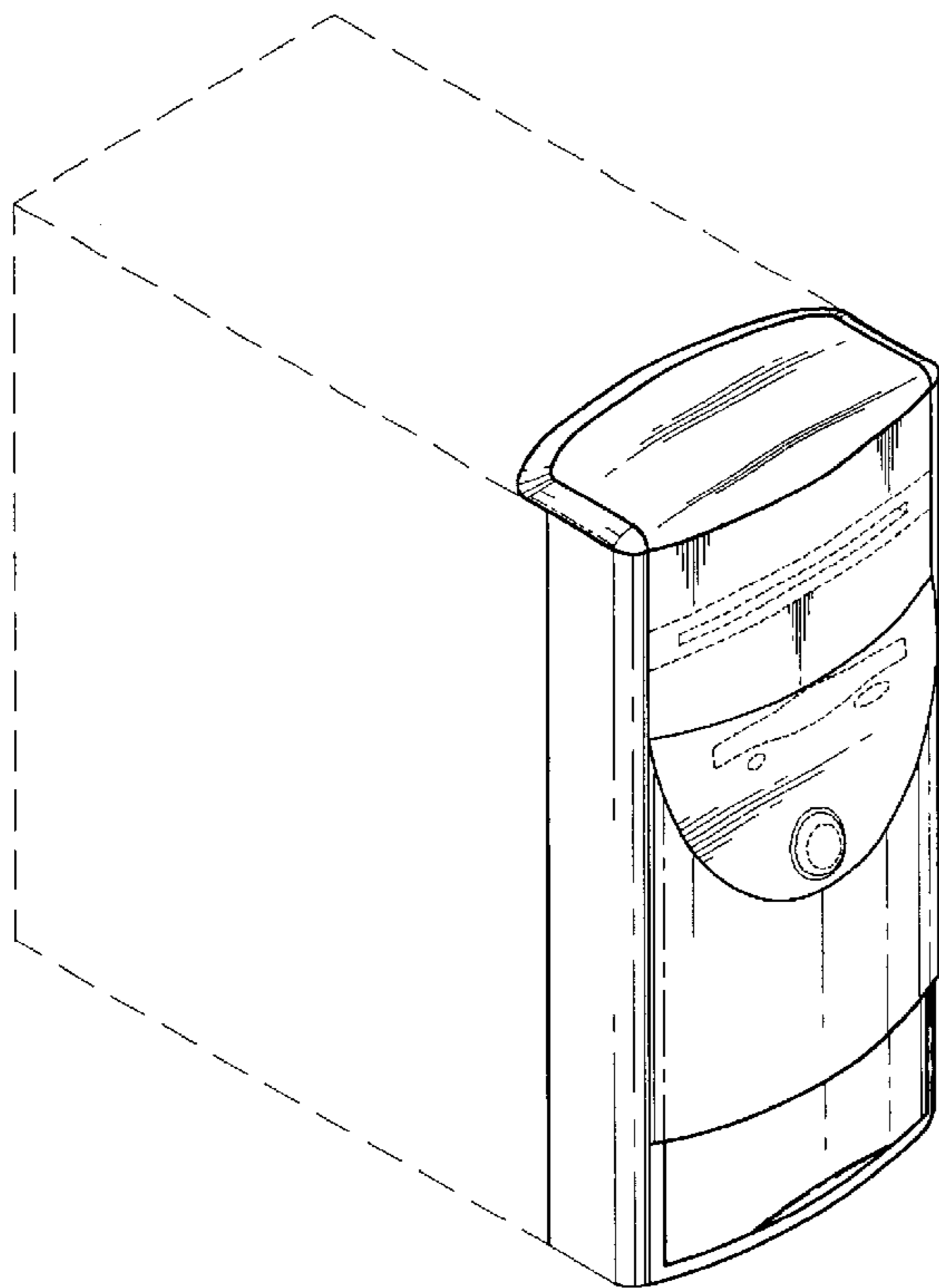
I claim the ornamental design for a computer tower face, as shown and described.

DESCRIPTION

FIG. 1 is a perspective view of a computer tower face showing the new design;
 FIG. 2 is a front side elevational view thereof;
 FIG. 3 is a top plan view thereof;
 FIG. 4 is a left side elevational view thereof;
 FIG. 5 is a rear side elevational view thereof;
 FIG. 6 is a bottom plan view thereof; and,
 FIG. 7 is a cross-sectional view taken in the direction of the arrows 7—7 in FIG. 2.

The broken lines are shown in the views for illustrative purposes only and form no part of the claimed design.

1 Claim, 2 Drawing Sheets



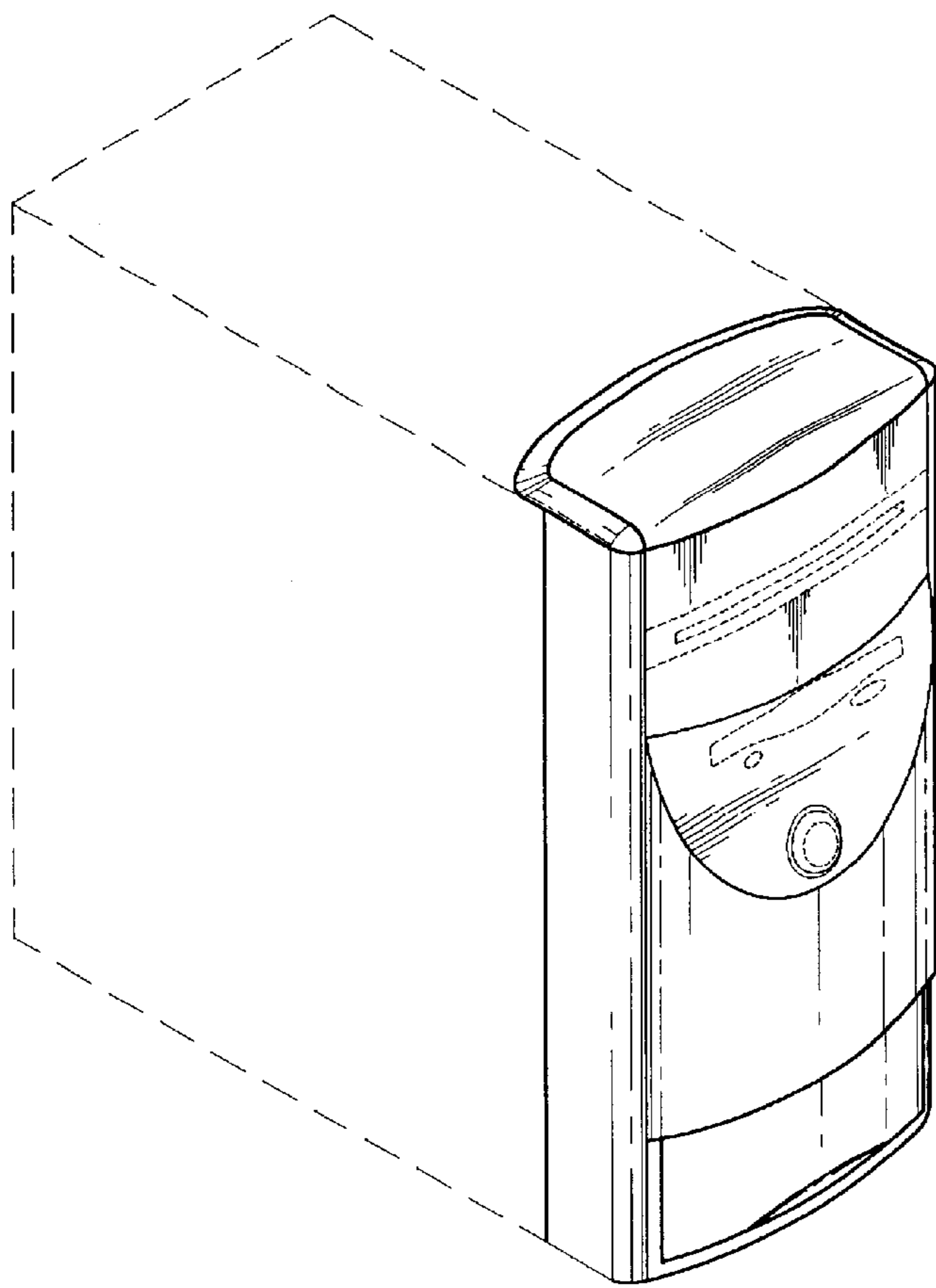


FIG. 1

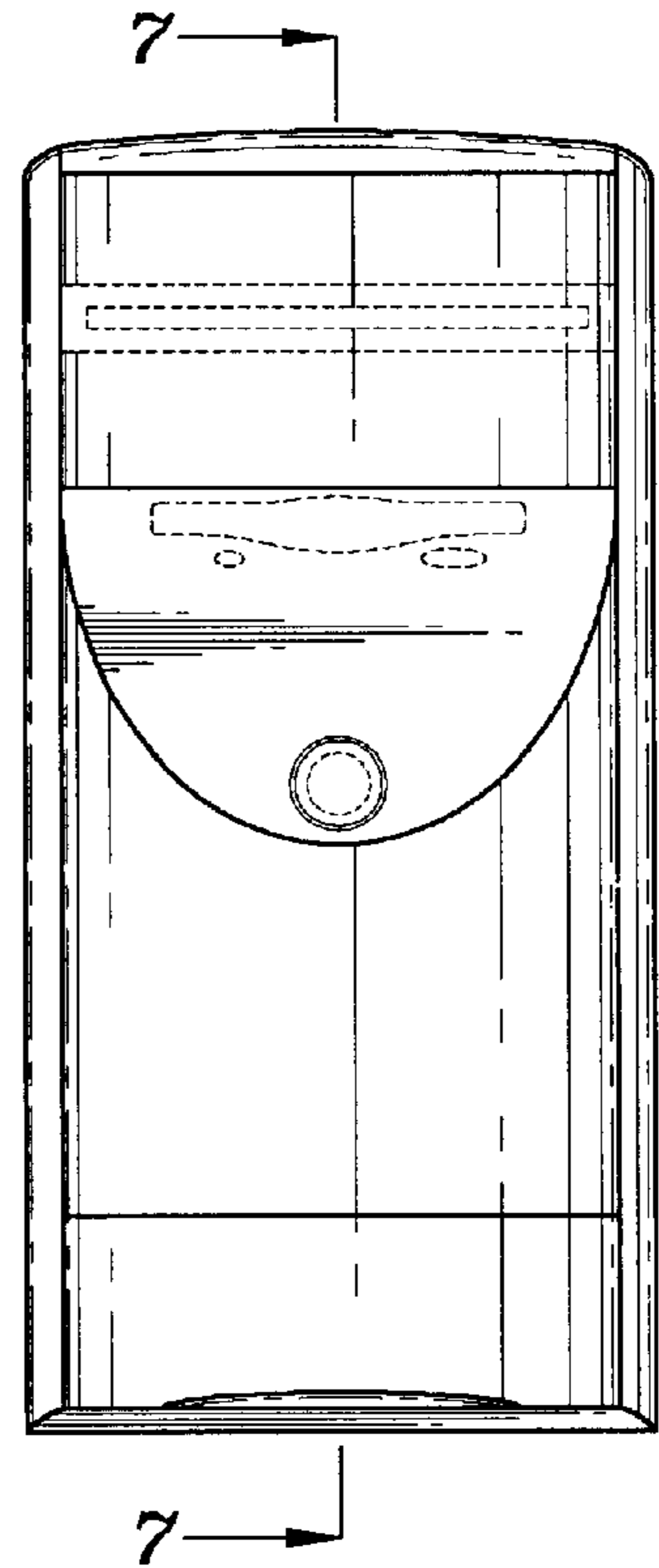


FIG. 2

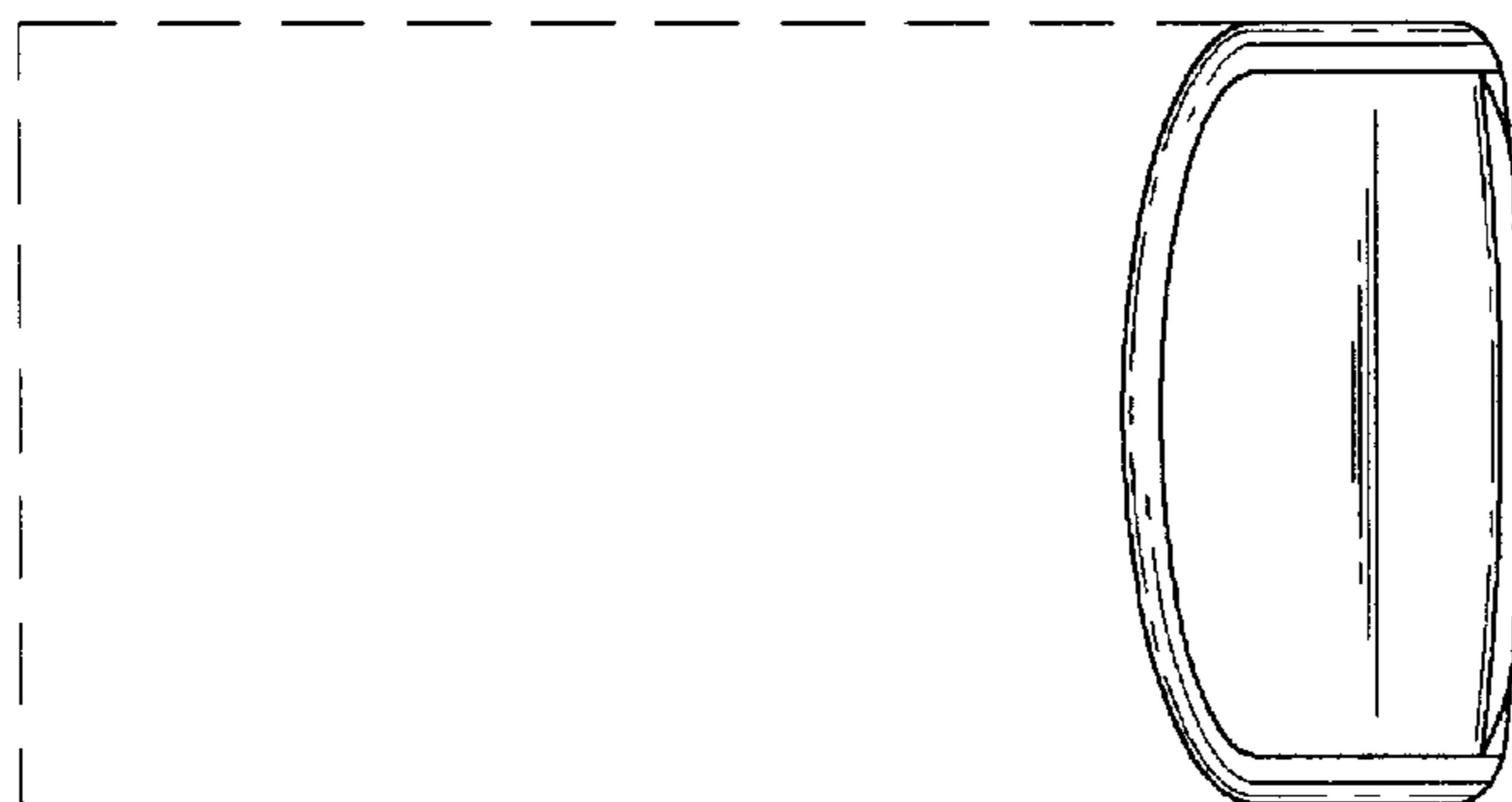


FIG. 3

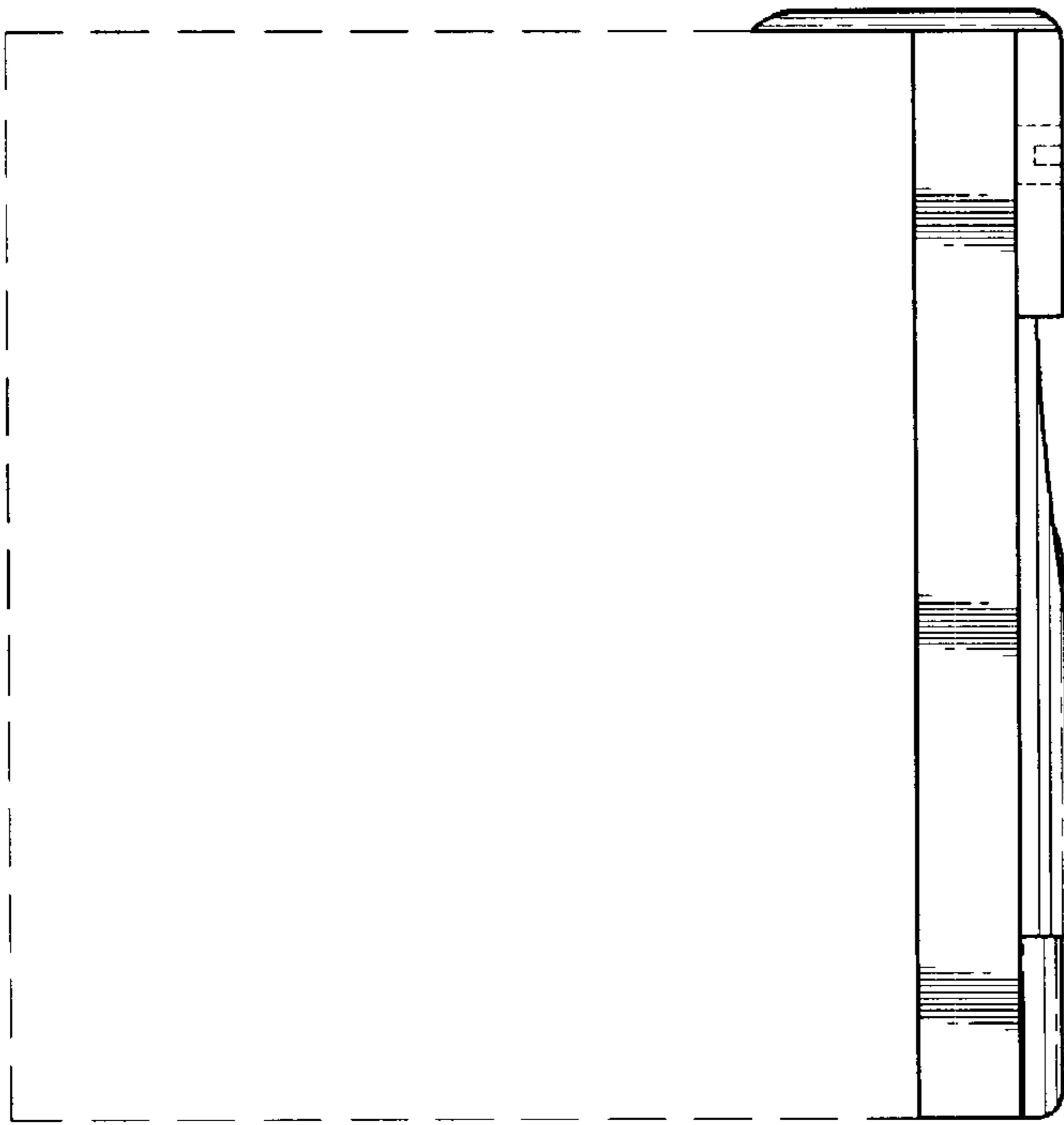


FIG. 4

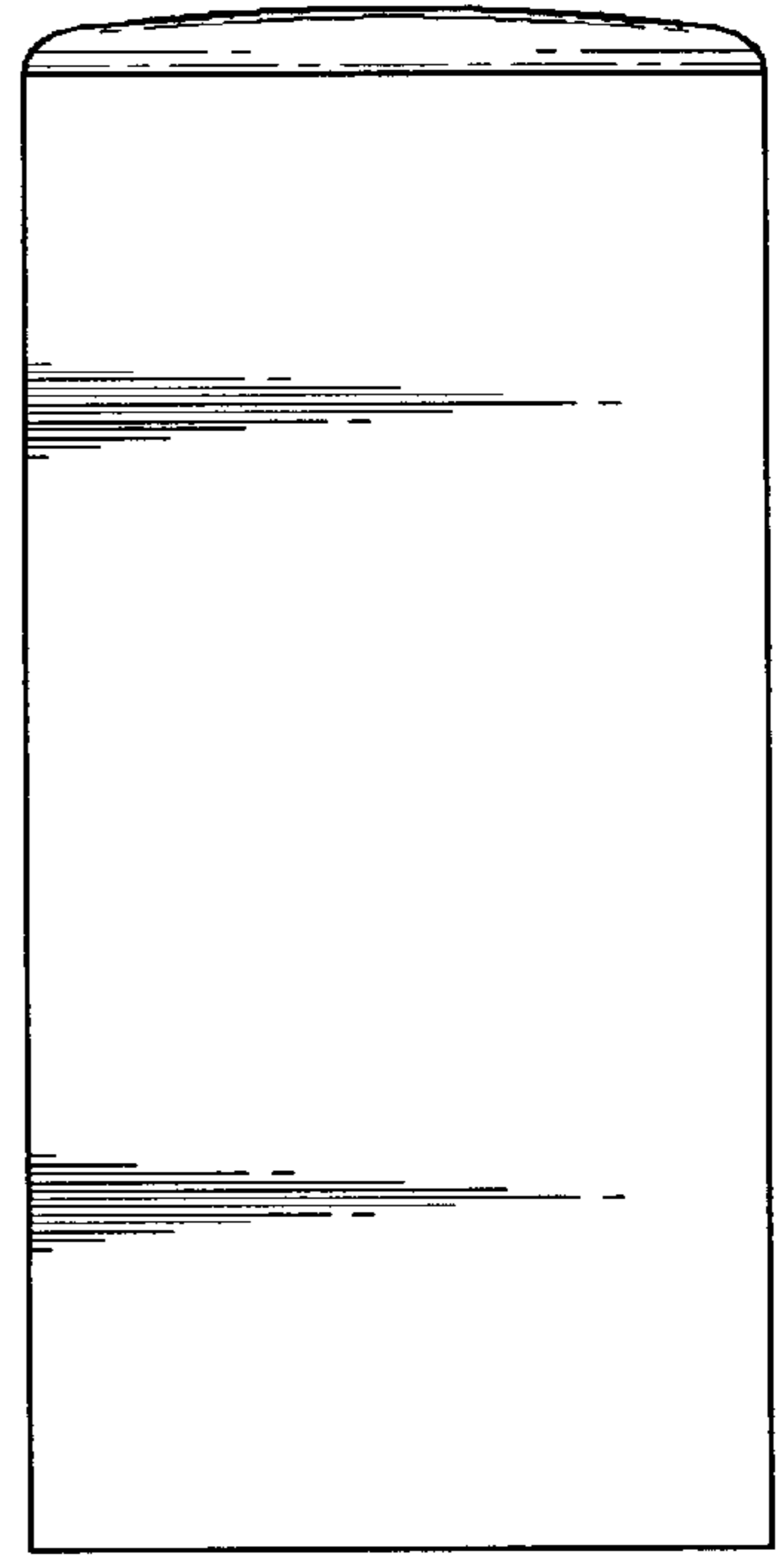


FIG. 5

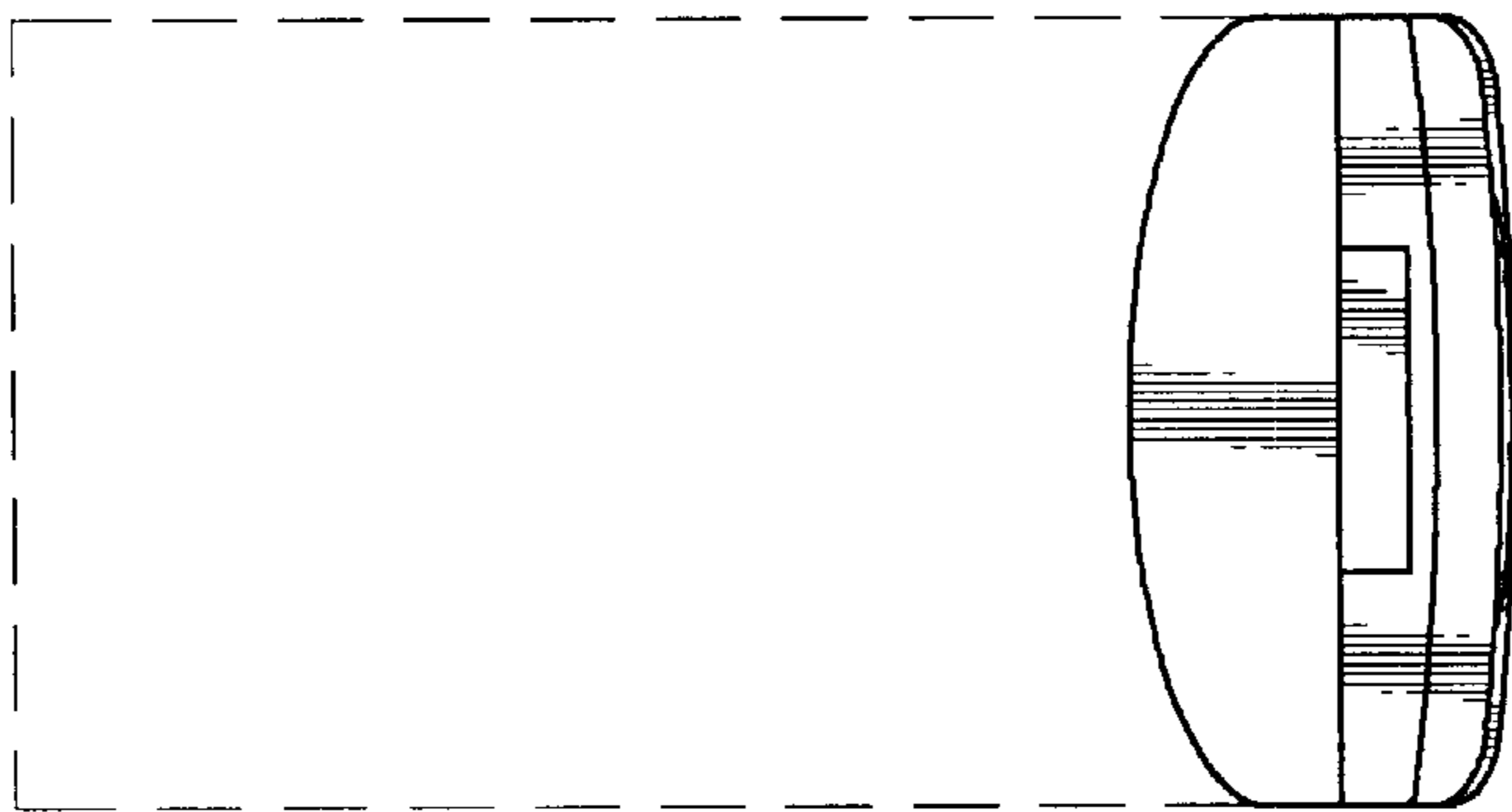


FIG. 6

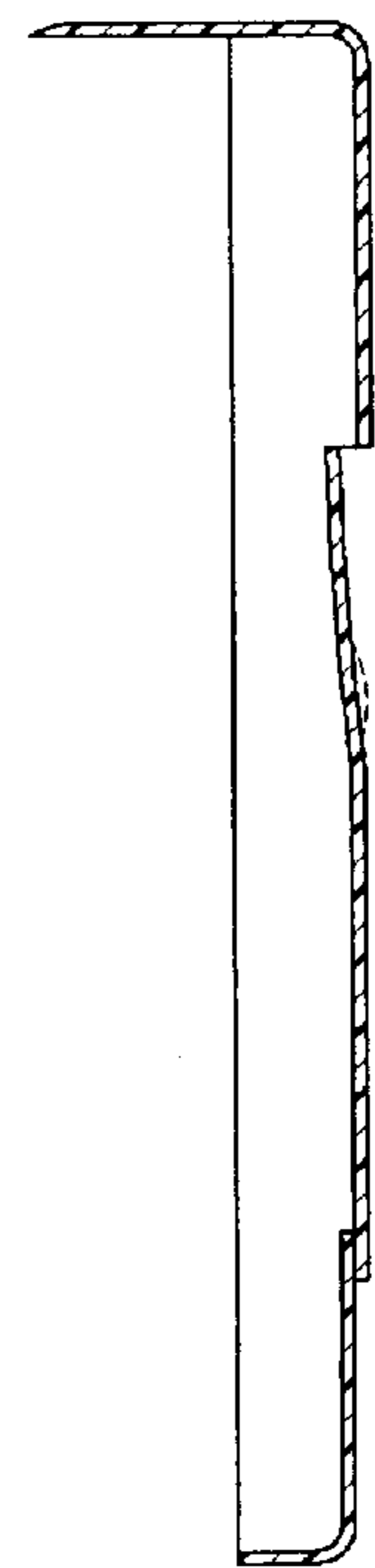


FIG. 7