



US00D473232S

(12) **United States Design Patent**
Fisher

(10) **Patent No.:** **US D473,232 S**

(45) **Date of Patent:** **** Apr. 15, 2003**

(54) **PORTION OF AN ELECTRONIC MOUSE**

(75) **Inventor:** **Steven W. Fisher, Kirkland, WA (US)**

(73) **Assignee:** **Microsoft Corporation, Redmond, WA (US)**

(**) **Term:** **14 Years**

(21) **Appl. No.:** **29/166,905**

(22) **Filed:** **Sep. 6, 2002**

(51) **LOC (7) Cl.** **14-02**

(52) **U.S. Cl.** **D14/402**

(58) **Field of Search** D14/402-410,
D14/417; D13/158; 345/156-167; 200/5 R,
5 A, 6 R, 6 A; 273/148 B; 74/471 XY;
463/36, 37, 38

D450,698 S * 11/2001 Fisher et al. D14/402
D450,699 S * 11/2001 Fisher et al. D14/402
D451,098 S * 11/2001 Fisher et al. D14/402

OTHER PUBLICATIONS

Advertisement for Genius True Internet Mouse, Mar. 2000.
Advertisement for Microsoft IntelliMouse Trackball, Aug. 1999.
Advertisement for Microsoft IntelliMouse Explorer, Apr. 2000.

* cited by examiner

Primary Examiner—Kay H. Chin

(74) *Attorney, Agent, or Firm*—Banner & Witcoff, Ltd.

(57) **CLAIM**

The ornamental design for a portion of an electronic mouse, as shown and described.

(56) **References Cited**

U.S. PATENT DOCUMENTS

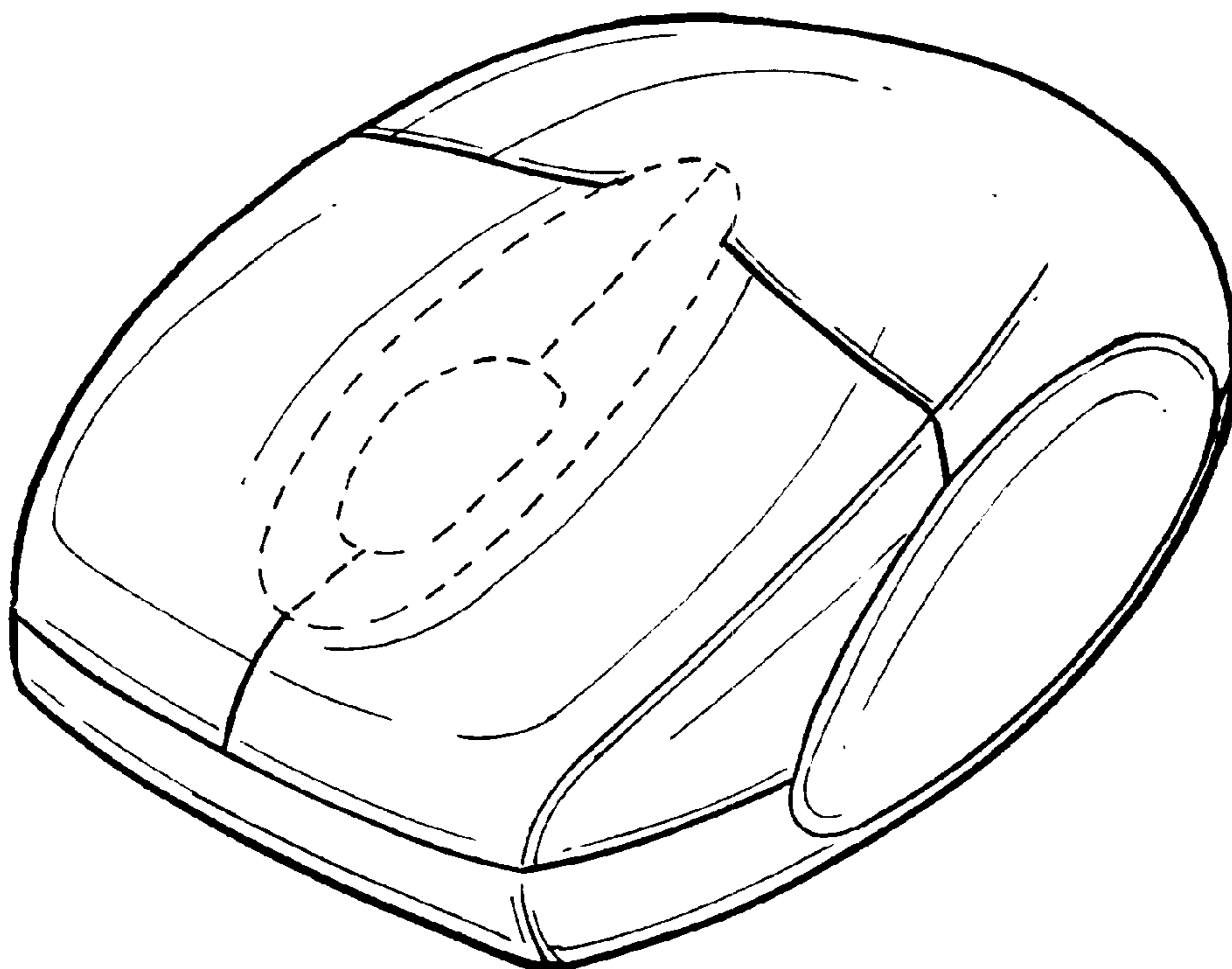
D368,900 S	4/1996	Ma	
D369,593 S	5/1996	Ma	
D373,999 S	9/1996	Staats	
D385,861 S	11/1997	Lin	
D402,281 S	12/1998	Ledbetter et al.	
D411,189 S	6/1999	Liao et al.	
D435,848 S	* 1/2001	Sheehan et al. D14/408
D437,852 S	2/2001	Ledbetter et al.	
D438,212 S	2/2001	Whitenack	
D439,253 S	3/2001	Sheehan et al.	
D443,616 S	* 6/2001	Fisher et al. D14/402
D450,321 S	* 11/2001	Fisher et al. D14/402
D450,697 S	* 11/2001	Fisher et al. D14/402

DESCRIPTION

FIG. 1 is a front perspective view of a portion of an electronic mouse showing my new design;
FIG. 2 is a left side view thereof;
FIG. 3 is a right side view thereof;
FIG. 4 is a front view thereof;
FIG. 5 is a rear view thereof; and,
FIG. 6 is a top view thereof.

The broken line showing of a scroll wheel region is for illustrative purposes and forms no part of the claimed design. The unshown bottom of the electronic mouse forms no part of the claimed design.

1 Claim, 2 Drawing Sheets



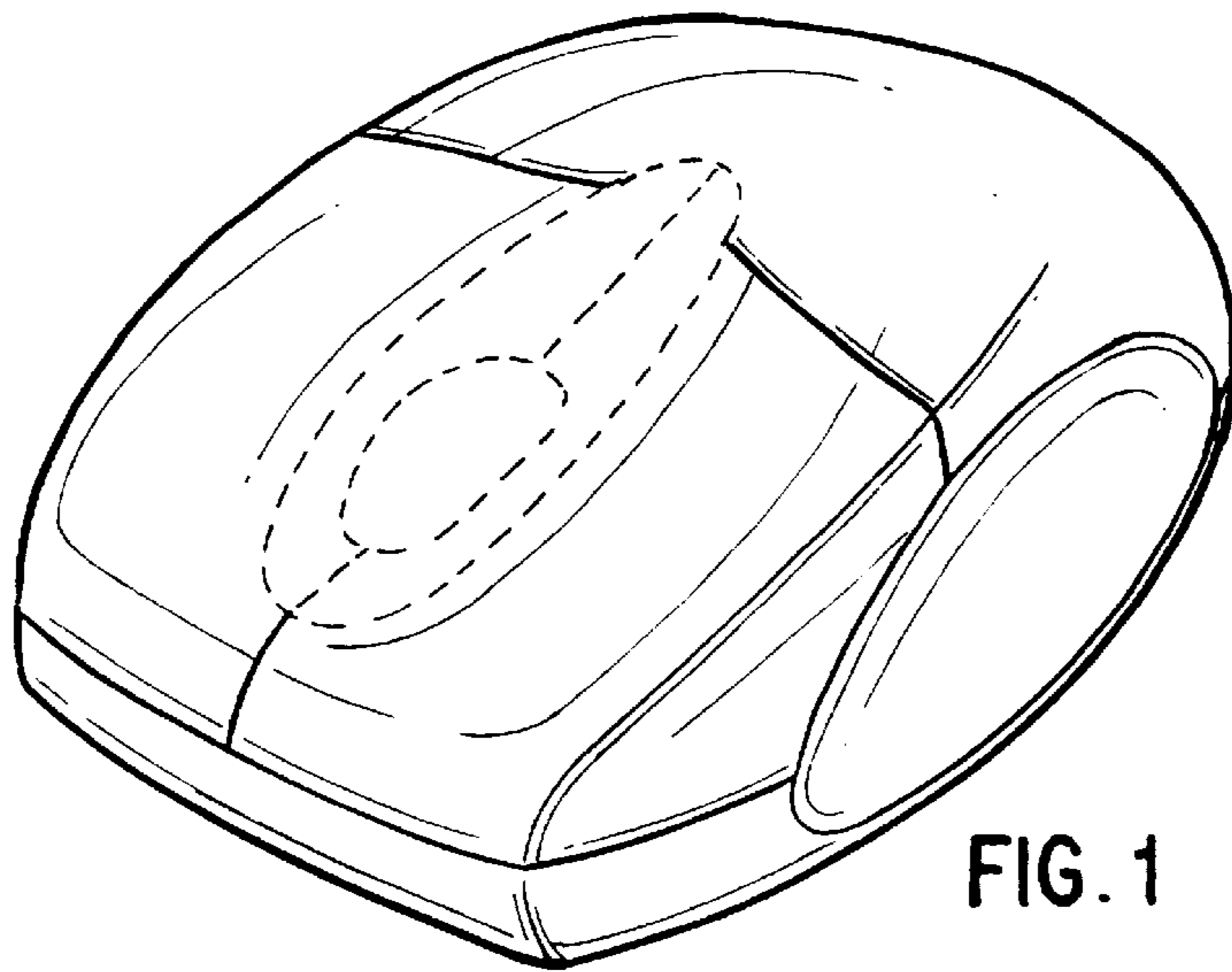


FIG. 1

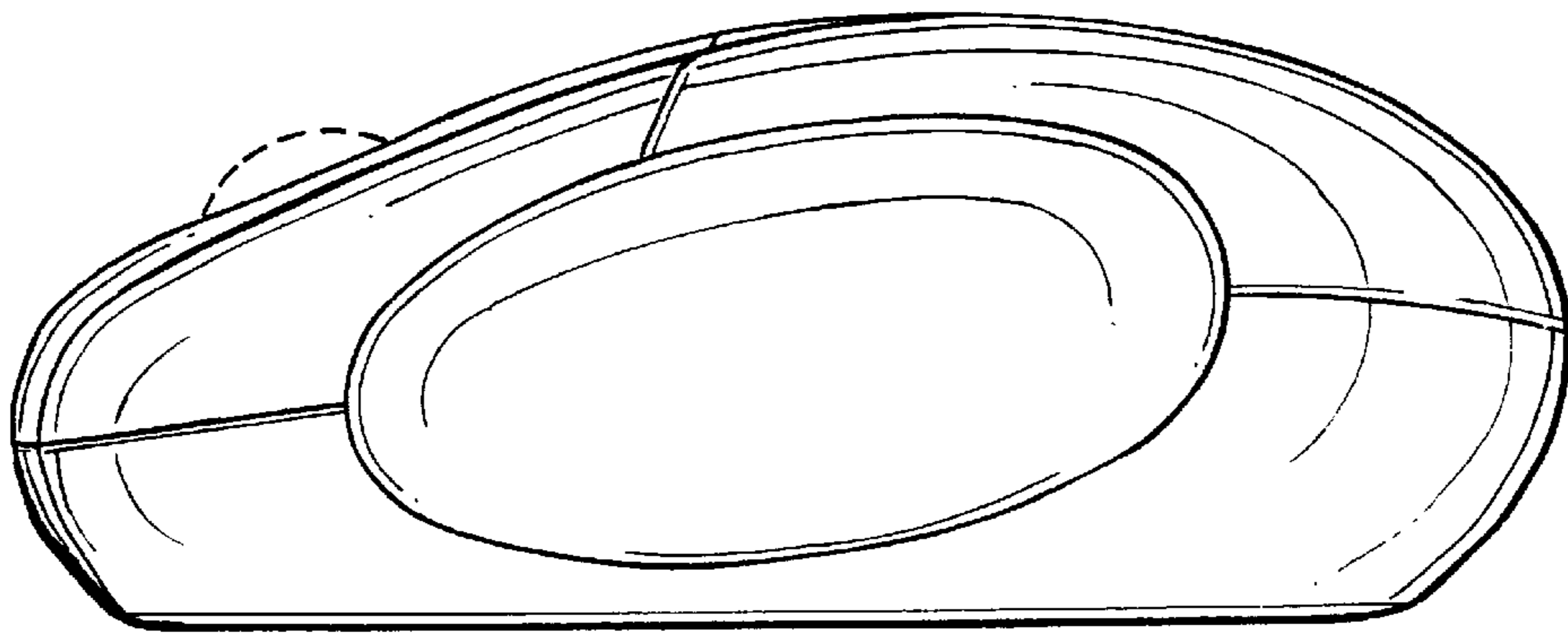


FIG. 2

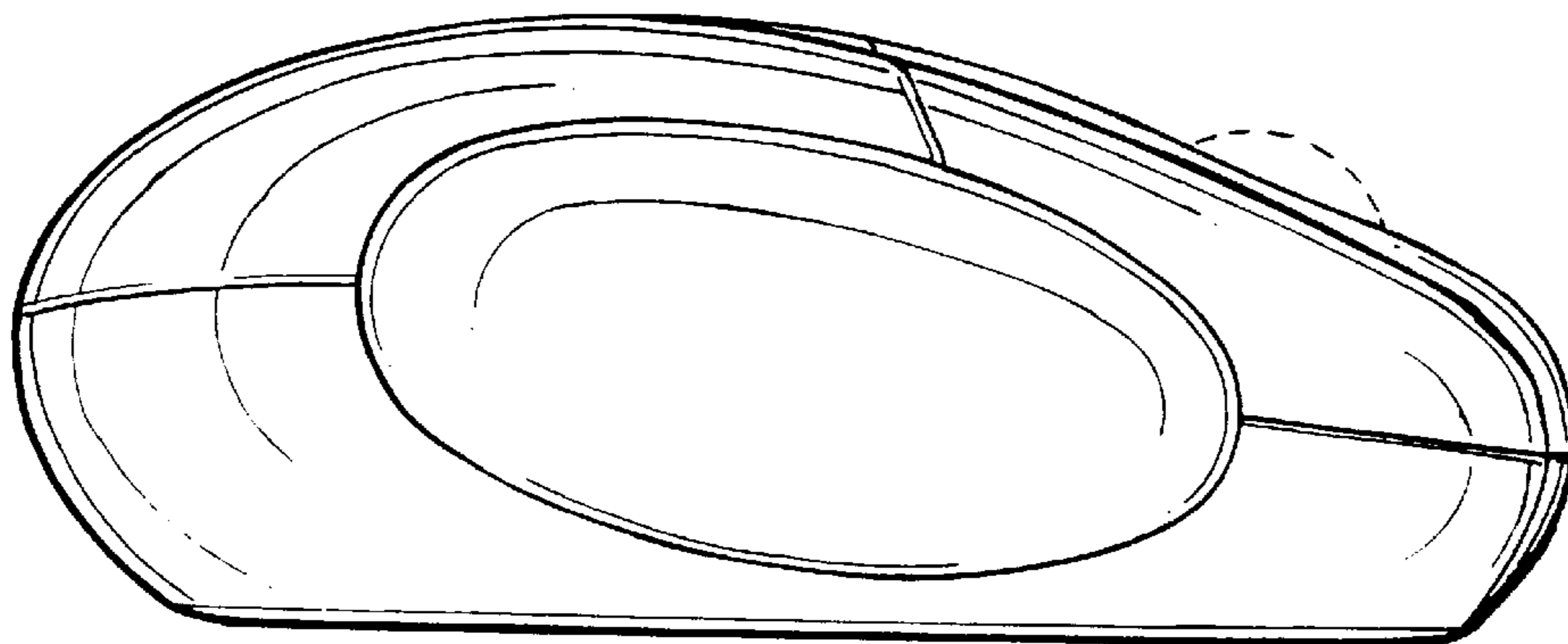


FIG. 3

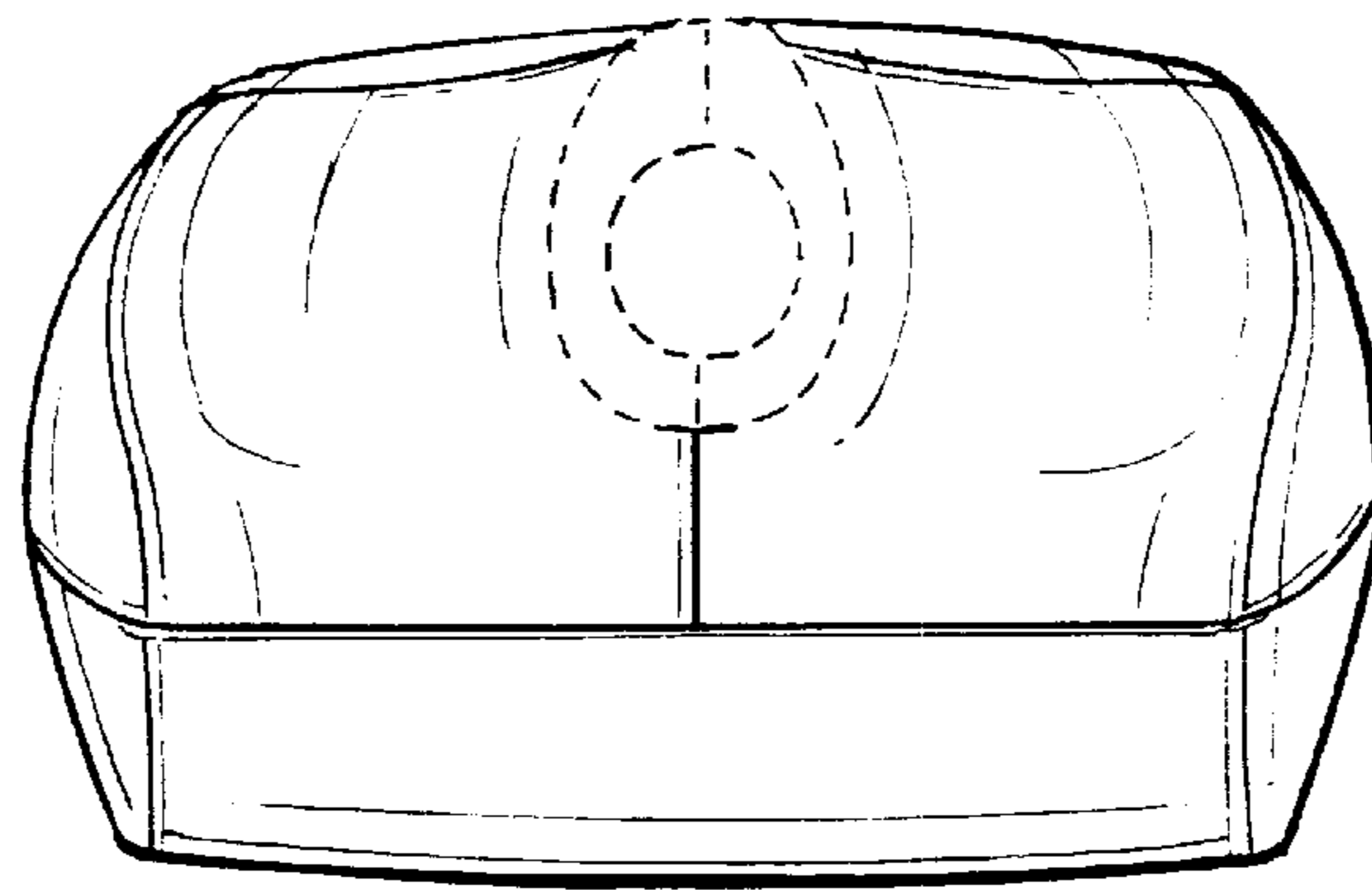


FIG. 4

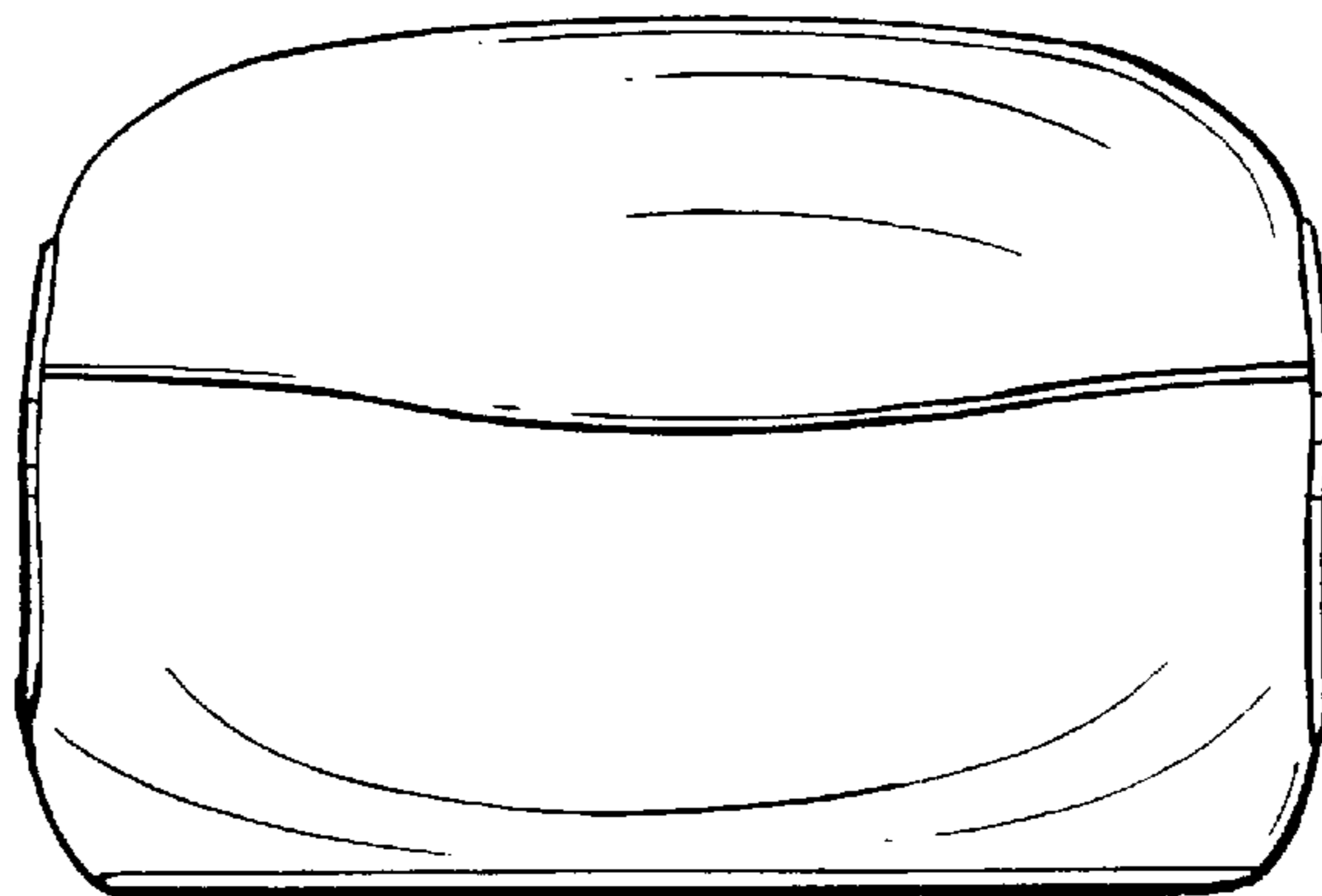


FIG. 5

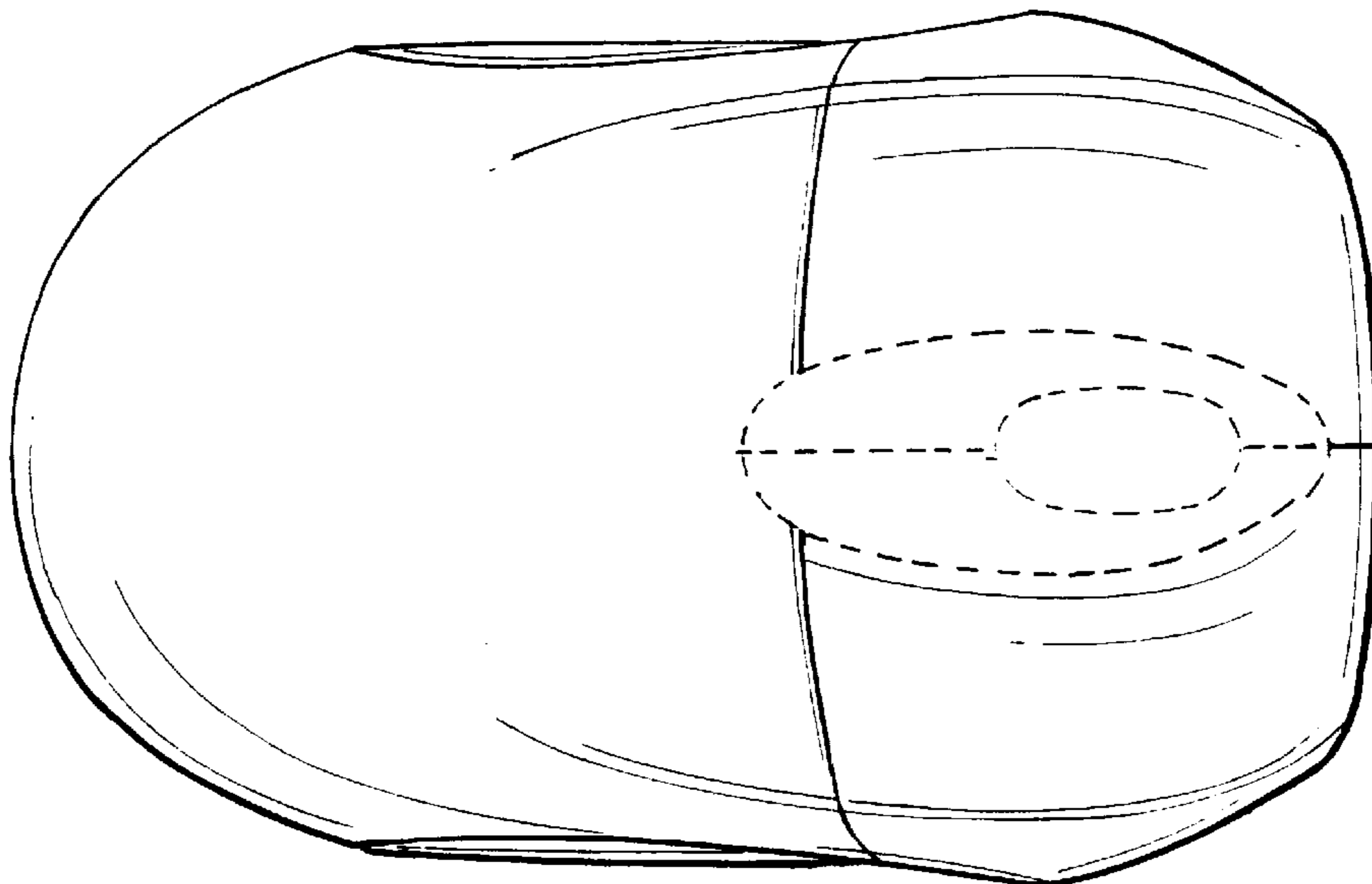


FIG. 6