



US00D473231S

(12) **United States Design Patent**
Koo et al.

(10) **Patent No.:** **US D473,231 S**

(45) **Date of Patent:** **** Apr. 15, 2003**

(54) **LCD DISPLAY**

D440,968 S * 4/2001 Chang et al. D14/375

(75) Inventors: **Daniel Koo**, Taipei (TW); **Jenn Yeu Weng**, Taipei (TW); **Meng Tse Tsai**, Taipei Hsien (TW); **Chen Cheng Wang**, Taipei Hsien (TW); **Ching Lang Chen**, Taipei Hsien (TW)

* cited by examiner

Primary Examiner—Freda Nunn
(74) *Attorney, Agent, or Firm*—Merchant & Gould; Tim Tingkang Xia

(73) Assignee: **HannStar Display Corp.**, Taipei (TW)

(**) Term: **14 Years**

(57) **CLAIM**

The ornamental design for an LCD display, as shown and described.

(21) Appl. No.: **29/160,591**

(22) Filed: **May 14, 2002**

(30) **Foreign Application Priority Data**

Dec. 28, 2001 (TW) 090308497

(51) **LOC (7) Cl.** **14-02**

(52) **U.S. Cl.** **D14/375**

(58) **Field of Search** D14/371, 374,
D14/375-376, 125-129, 336; 248/917-924;
345/104, 156, 168, 173; 348/180, 184;
349/1, 2, 11, 62

DESCRIPTION

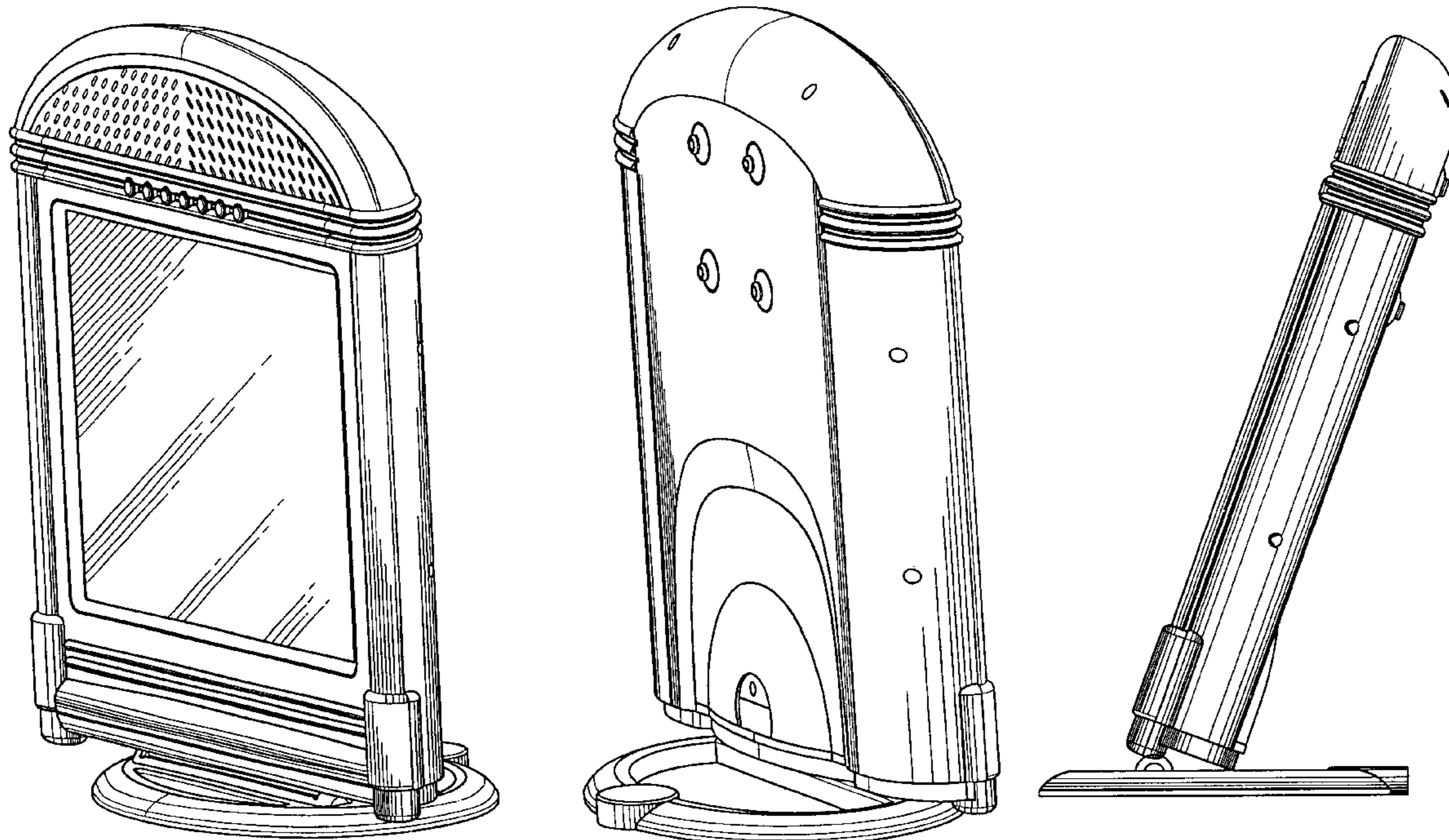
FIG. 1 is a front perspective view thereof;
FIG. 2 is a right side elevational view thereof;
FIG. 3 is a top plane view thereof;
FIG. 4 is a front elevational view thereof;
FIG. 5 is a bottom plane view thereof;
FIG. 6 is a left side elevational view thereof;
FIG. 7 is a rear elevational view thereof;
FIG. 8 is a rear perspective view thereof;
FIG. 9 is a front elevational view wherein the panel of the LCD display is separated from the bottom part thereof;
FIG. 10 is a right side elevational view of FIG. 9 thereof;
FIG. 11 is a right side elevational view wherein the LCD panel is inclined to the left thereof; and,
FIG. 12 is a right side elevational view wherein the LCD panel is inclined to the right thereof.

(56) **References Cited**

U.S. PATENT DOCUMENTS

D433,409 S * 11/2000 Chen D14/336

1 Claim, 12 Drawing Sheets



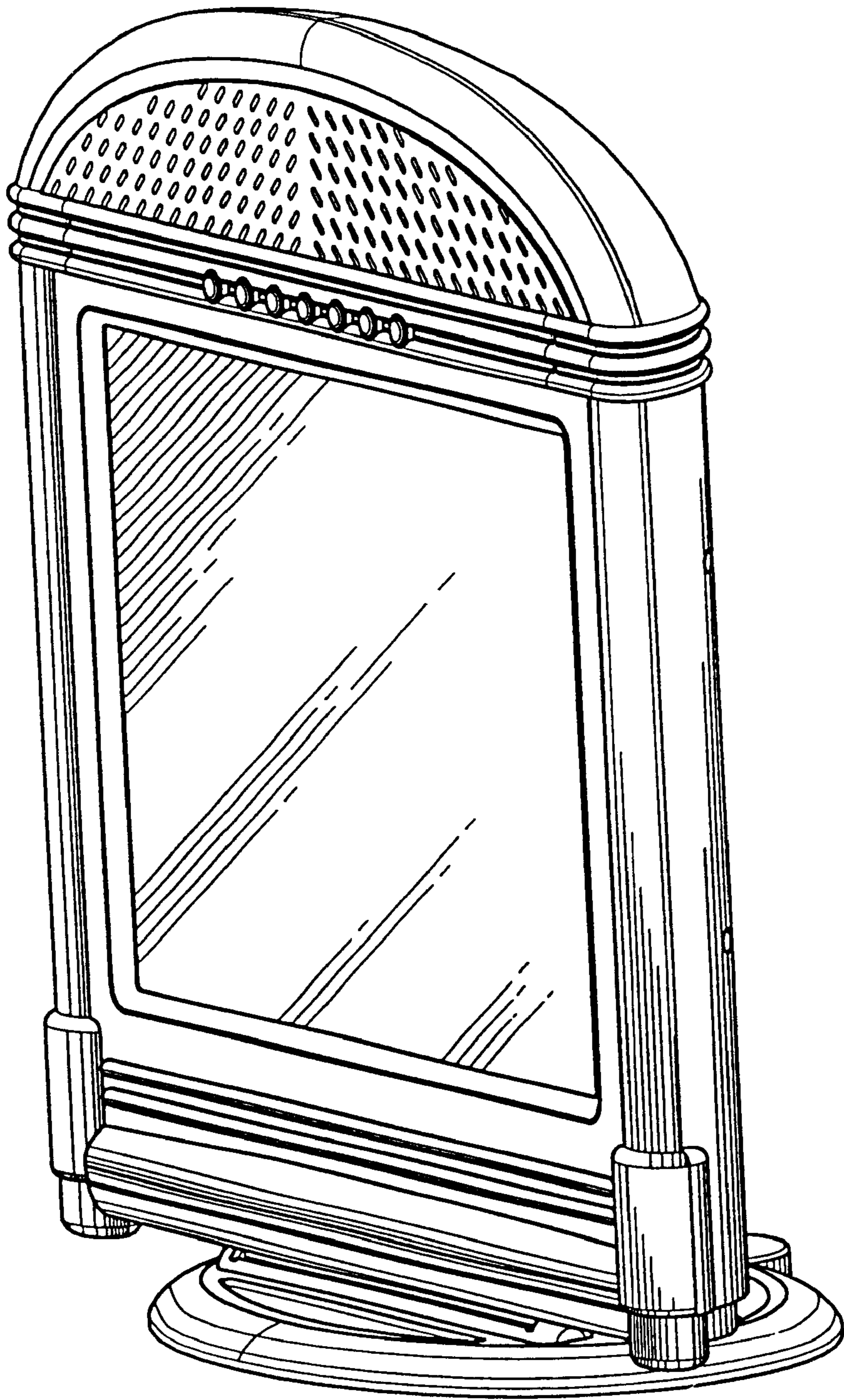


FIG. 1

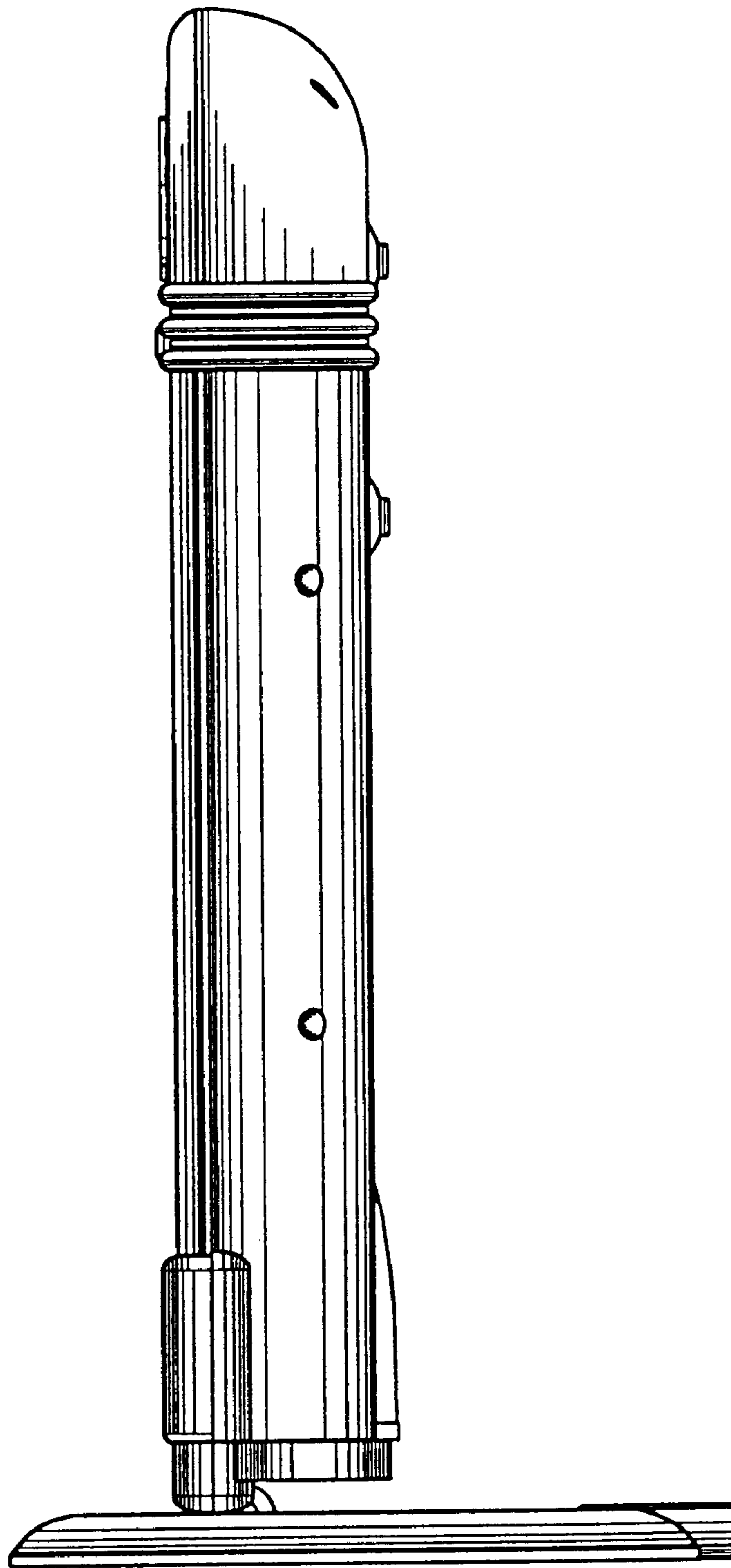


FIG. 2

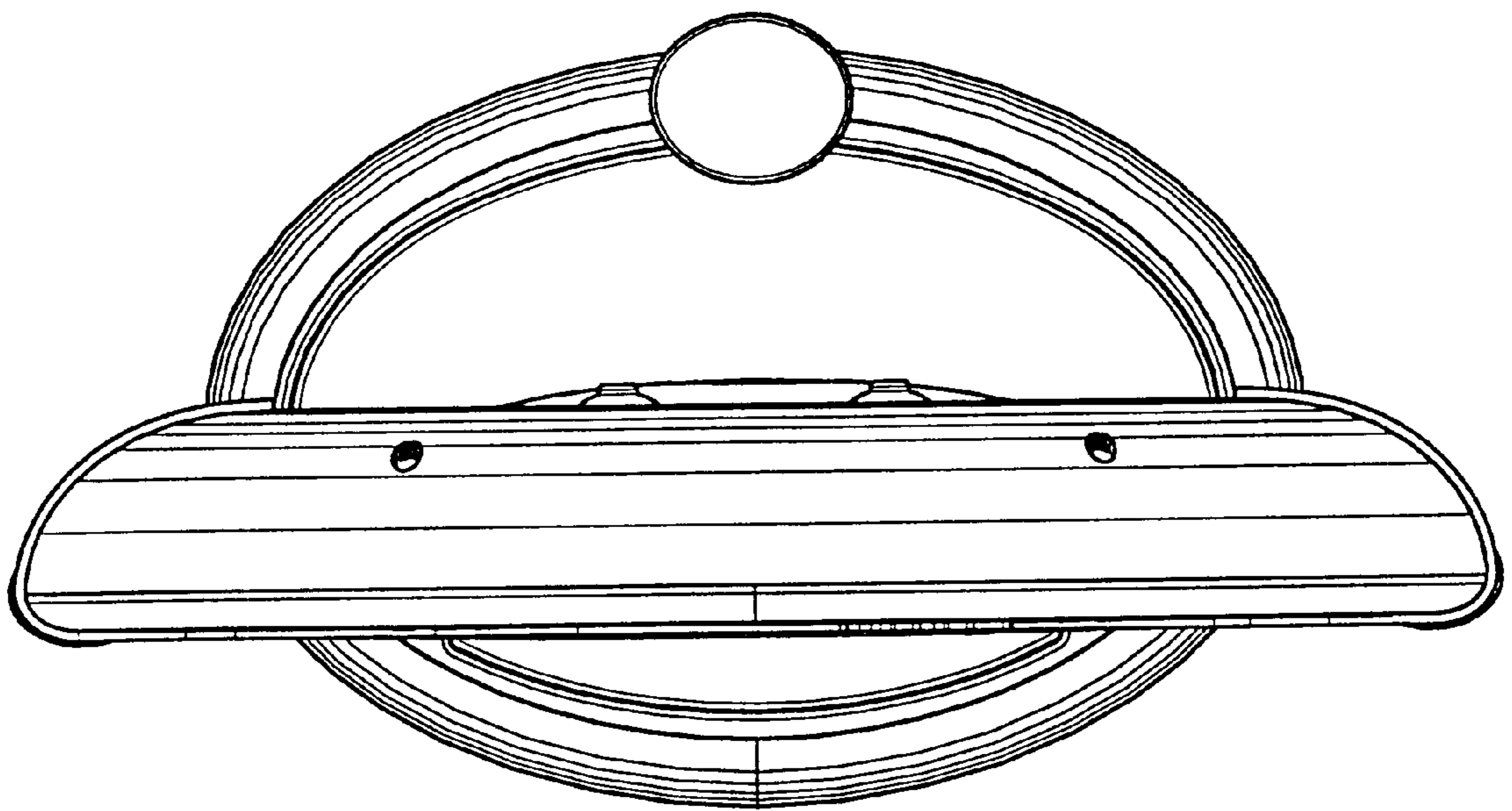


FIG. 3

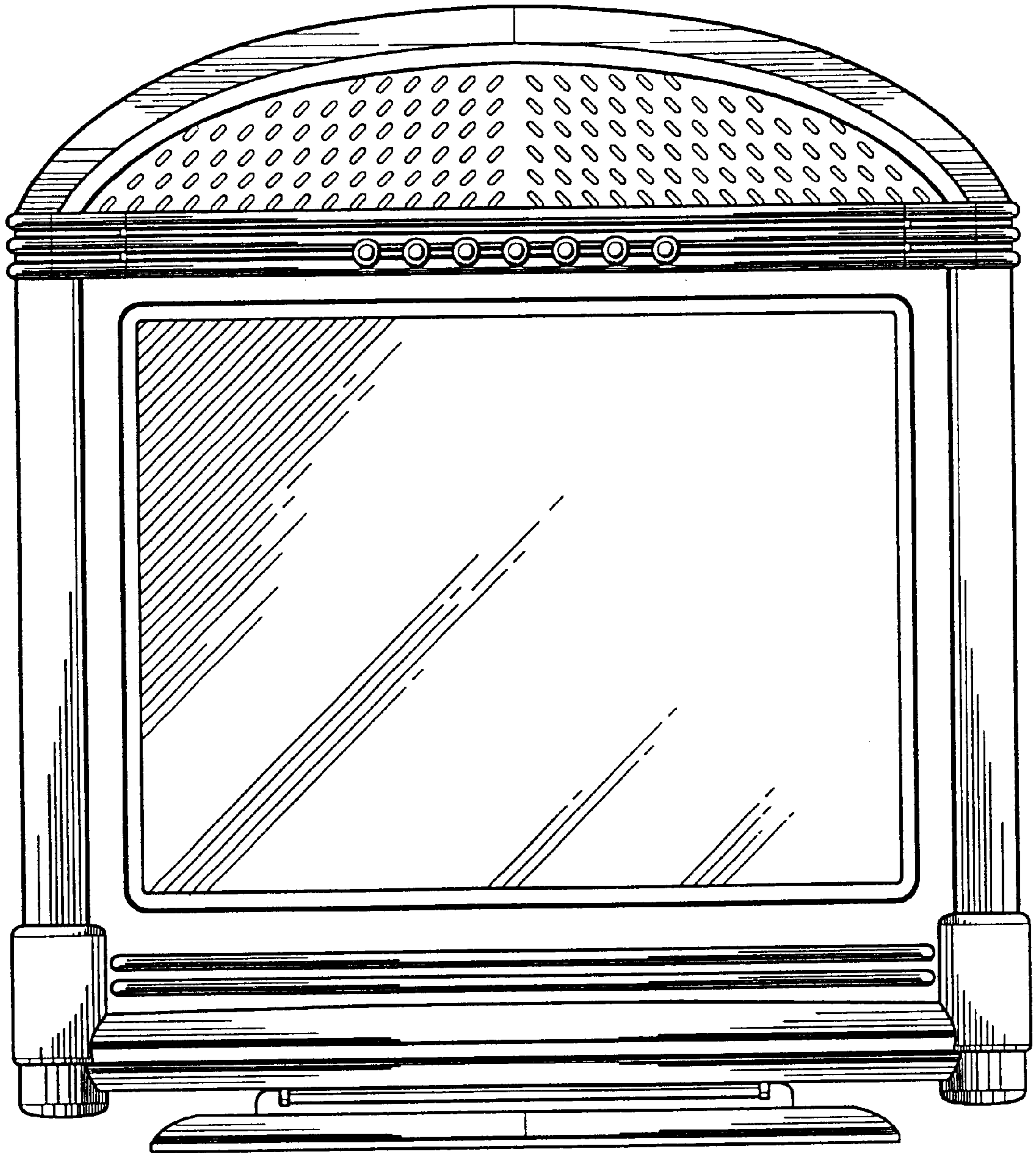


FIG. 4

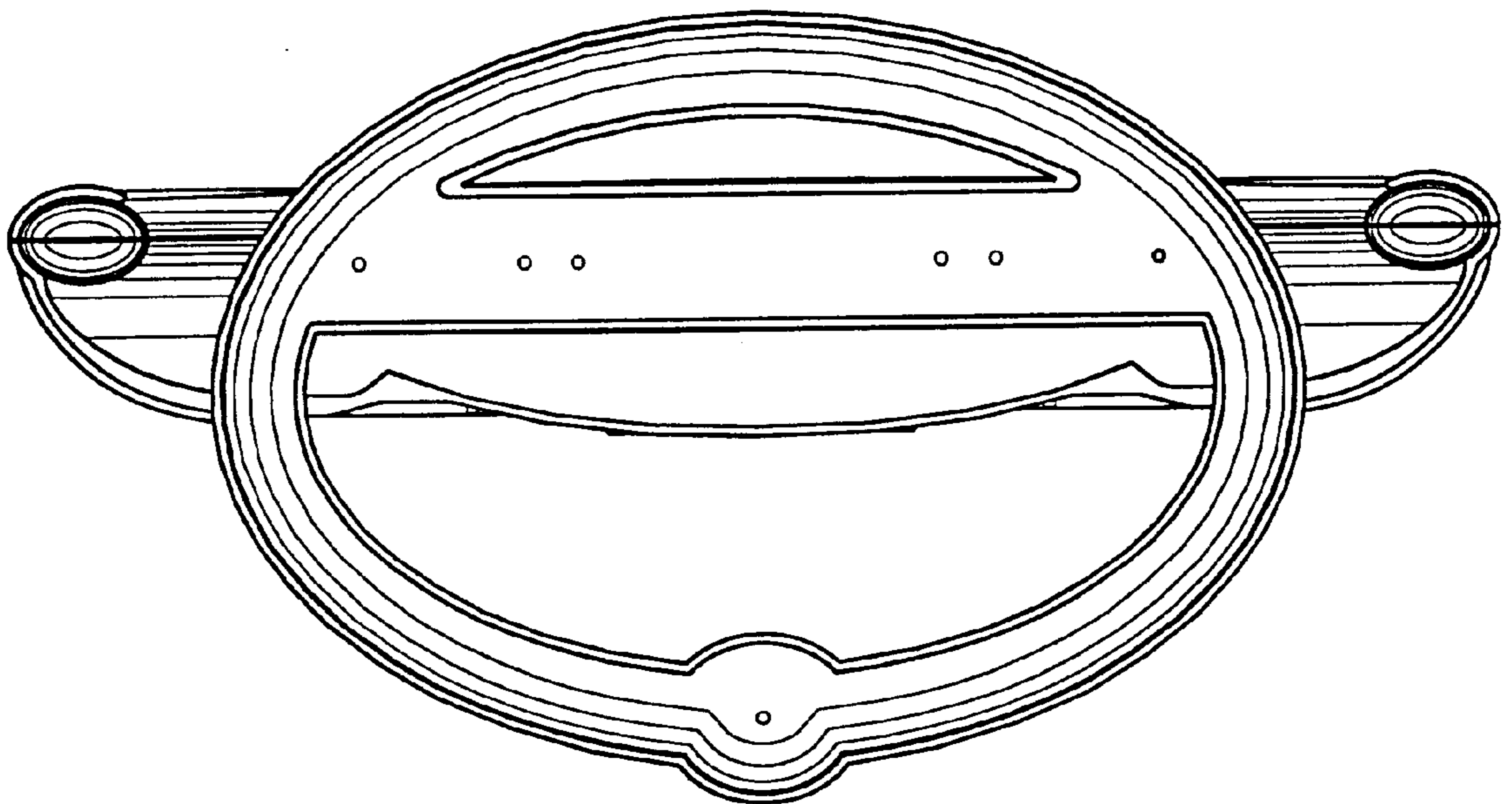


FIG. 5

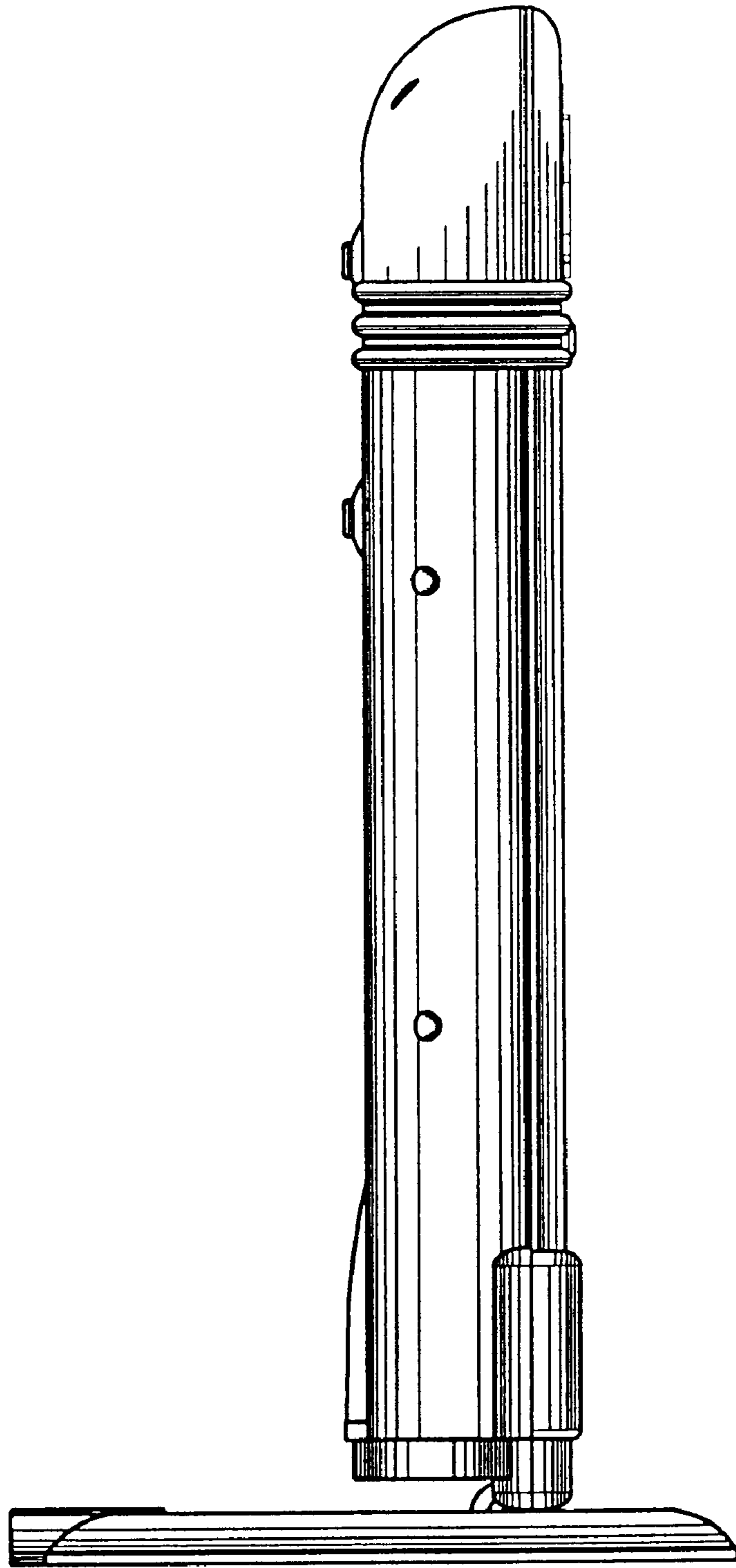


FIG. 6

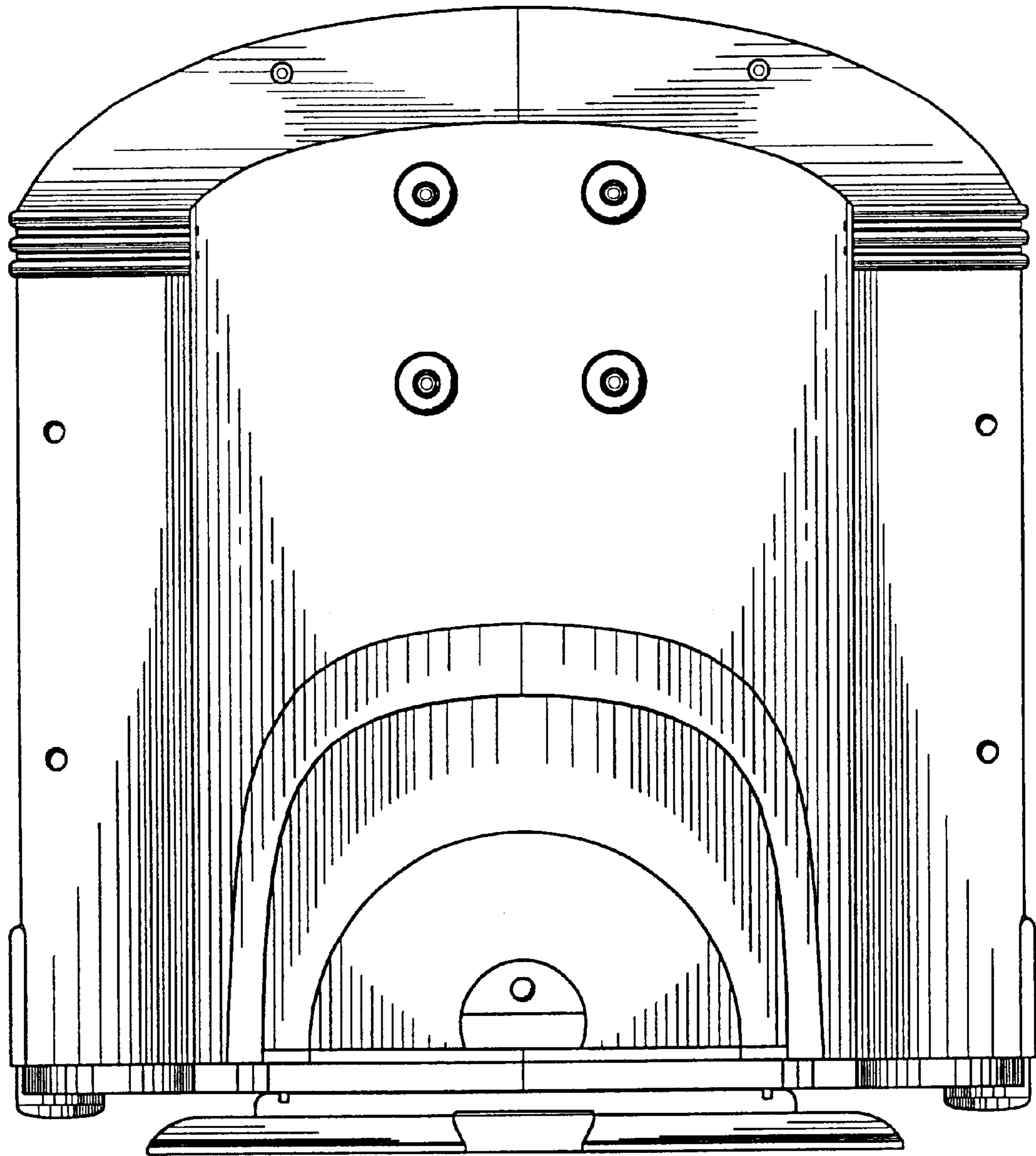


FIG. 7

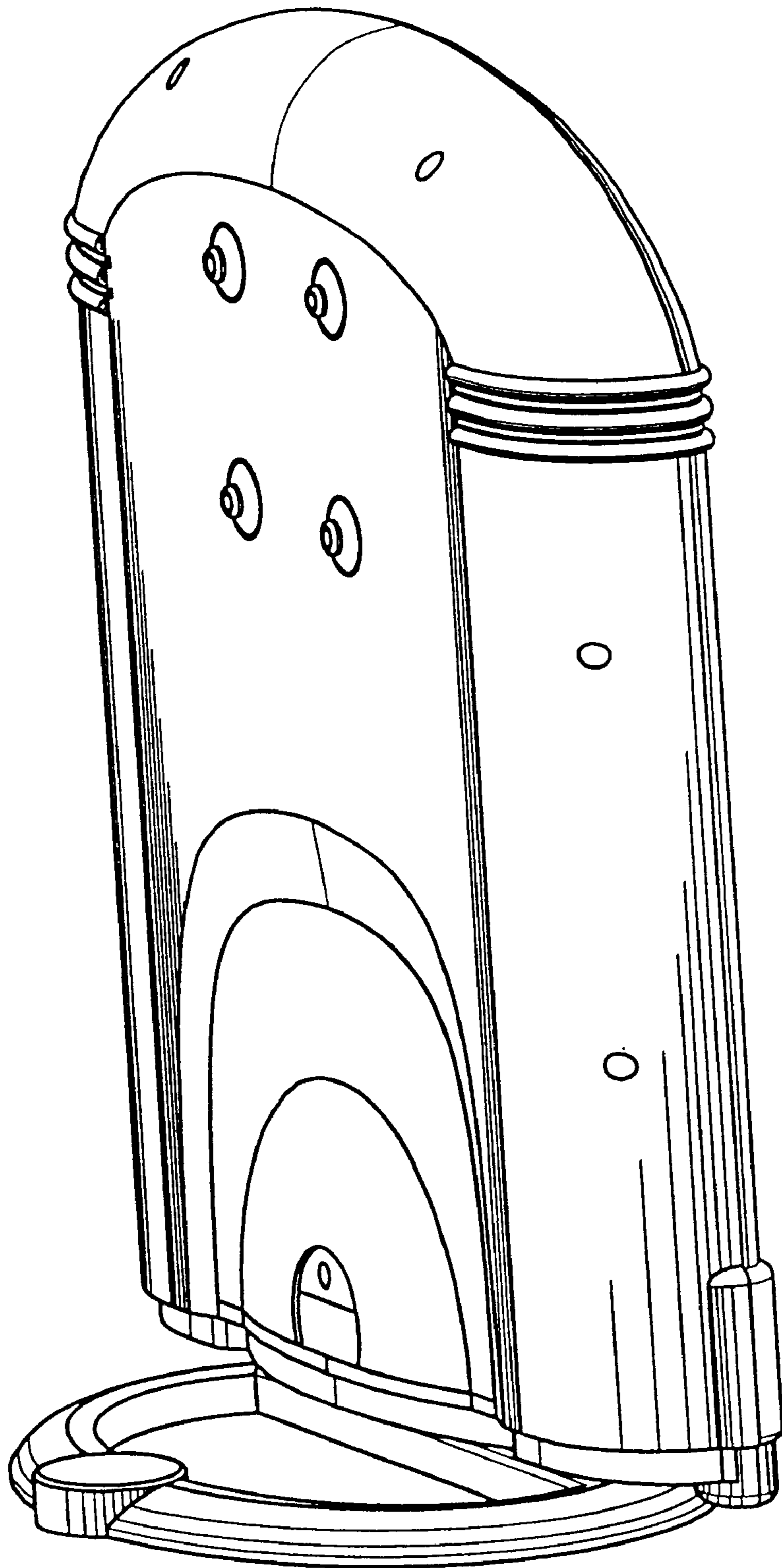


FIG. 8

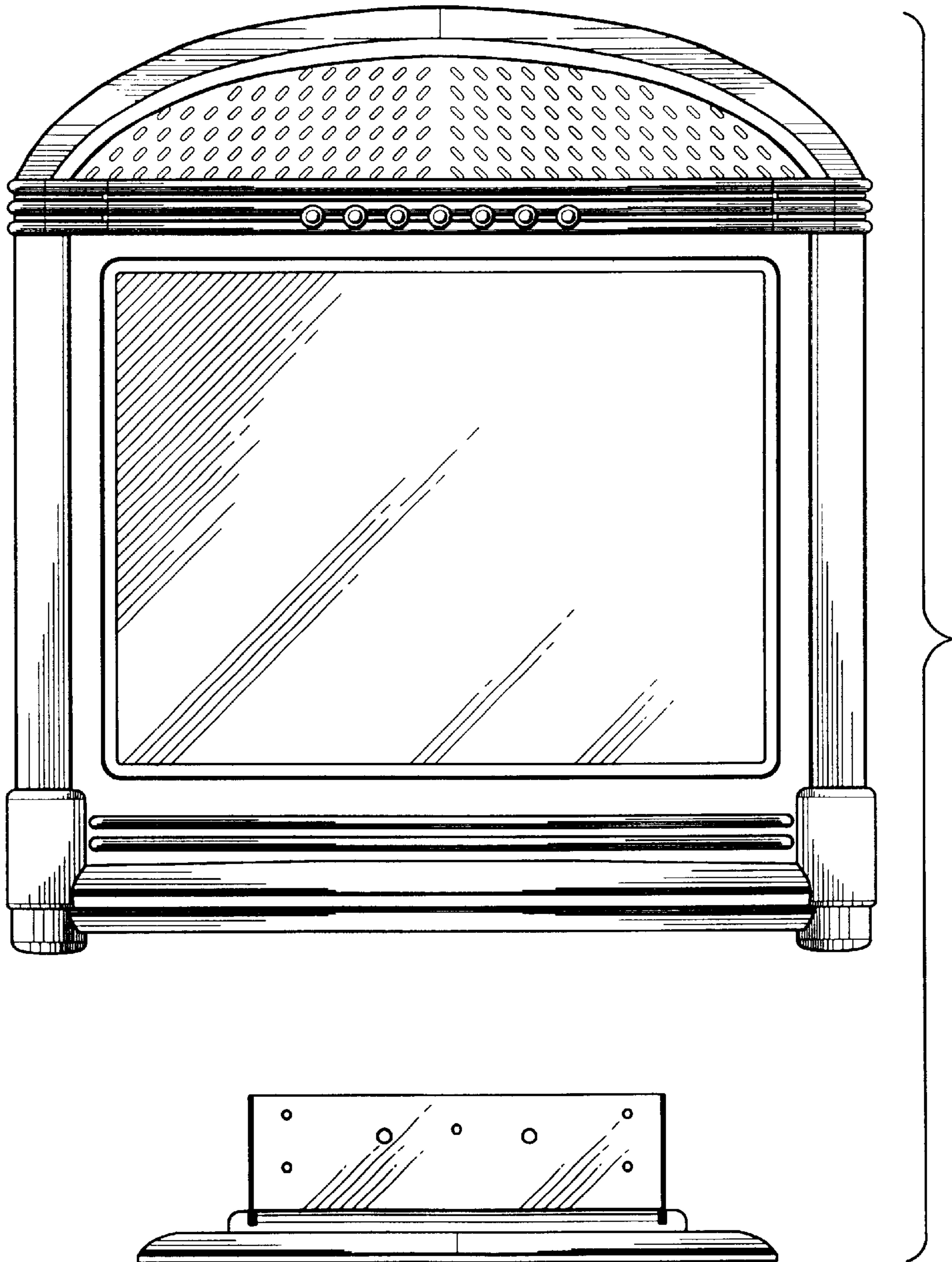


FIG. 9

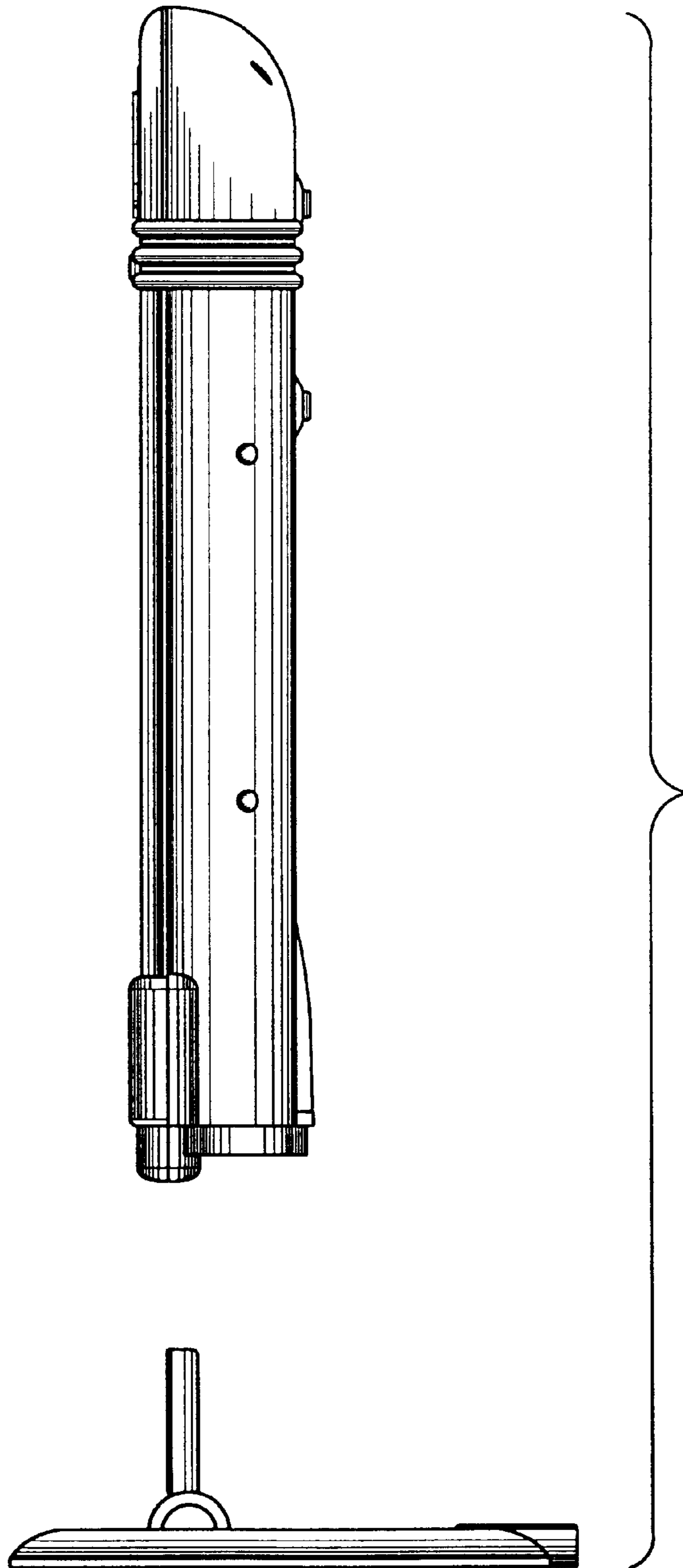


FIG. 10

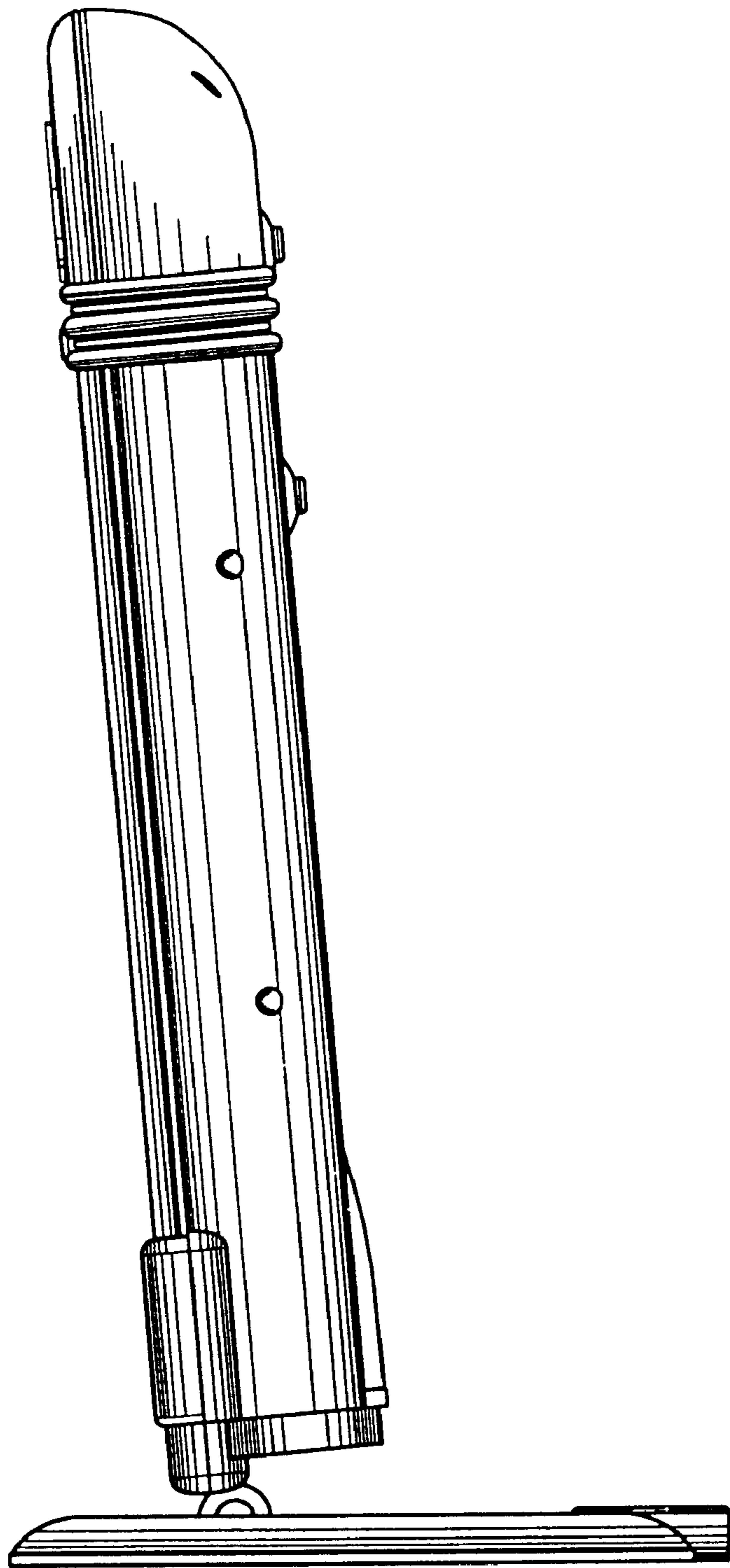


FIG. 11

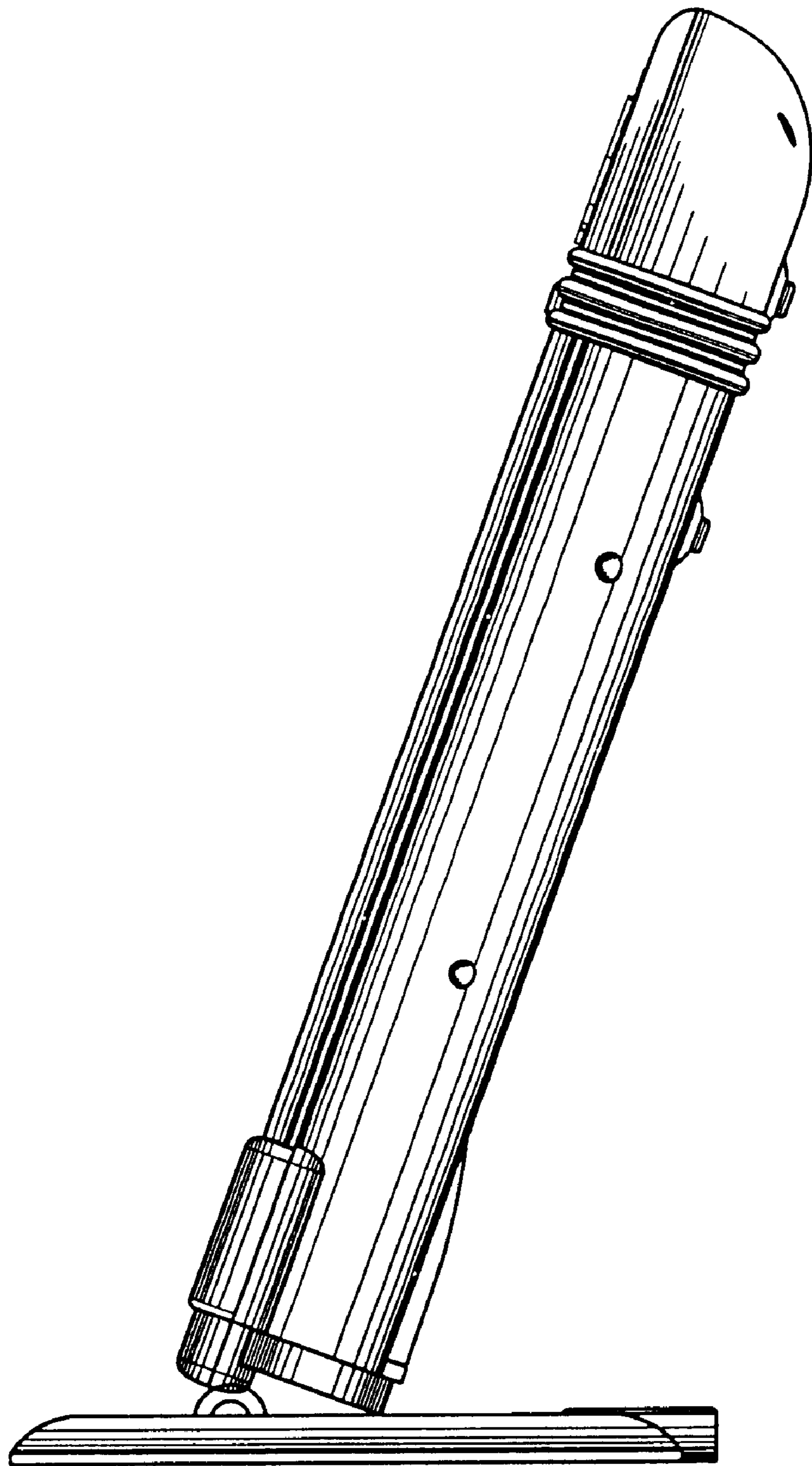


FIG. 12