



US00D473230S

(12) **United States Design Patent**
Hirano

(10) **Patent No.:** **US D473,230 S**

(45) **Date of Patent:** **** Apr. 15, 2003**

(54) **DISPLAY**

(75) Inventor: **Shinpei Hirano**, Tokyo (JP)

(73) Assignee: **Sony Corporation**, Tokyo (JP)

(**) Term: **14 Years**

(21) Appl. No.: **29/157,549**

(22) Filed: **Mar. 22, 2002**

(51) **LOC (7) Cl.** **14-02**

(52) **U.S. Cl.** **D14/374; D14/336**

(58) **Field of Search** D14/336, 337,
D14/371, 374, 375, 314, 125-129, 341;
345/104, 156, 168, 173, 901-905; 348/180,
184, 325, 739; 248/918-924; 341/12; 349/1,
2, 11, 62; D18/12.3; 361/683

(56) **References Cited**

U.S. PATENT DOCUMENTS

D311,907 S	*	11/1990	Yoshihara	D14/337
D356,548 S	*	3/1995	Bottcher et al.	D14/341
D357,495 S	*	4/1995	Skaggs et al.	D18/12.3
D370,892 S	*	6/1996	Shima et al.	D14/314
D402,979 S		12/1998	Ogasawara	D14/136
D408,794 S		4/1999	Ogasawara	D14/341
6,028,765 A	*	2/2000	Swindler et al.	361/683
D433,409 S	*	11/2000	Chen	D14/336

FOREIGN PATENT DOCUMENTS

JP D113356 3/2001

OTHER PUBLICATIONS

Home page, "Personal IT Television, air-board, IDT-LF1",
<http://www.sony.co.jp/sd/prodcts/consumer/airboard/airboard-7html>, 2 sheet, Sony Corporation (Oct. 2001).

* cited by examiner

Primary Examiner—Freda Nunn

(74) *Attorney, Agent, or Firm*—Rader, Fishman & Grauer PLLC

(57) **CLAIM**

The ornamental design for a display, as shown and described.

DESCRIPTION

FIG. 1 is a perspective view of a display showing my new design;

FIG. 2 is a front elevational view thereof;

FIG. 3 is a rear elevational view thereof;

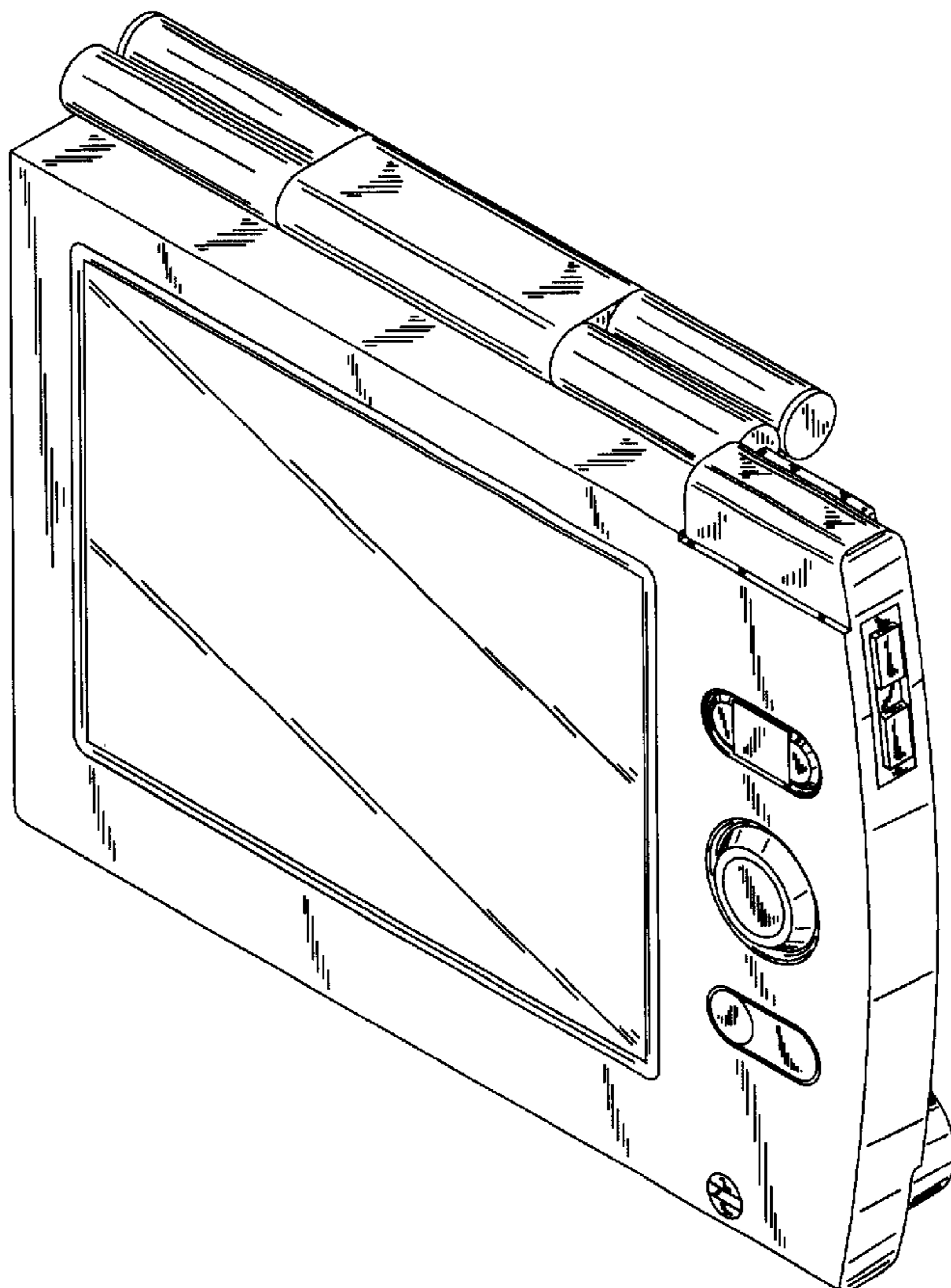
FIG. 4 is a left side elevational view thereof;

FIG. 5 is a right side elevational view thereof;

FIG. 6 is a top plan view thereof; and,

FIG. 7 is a bottom plan view thereof.

1 Claim, 4 Drawing Sheets



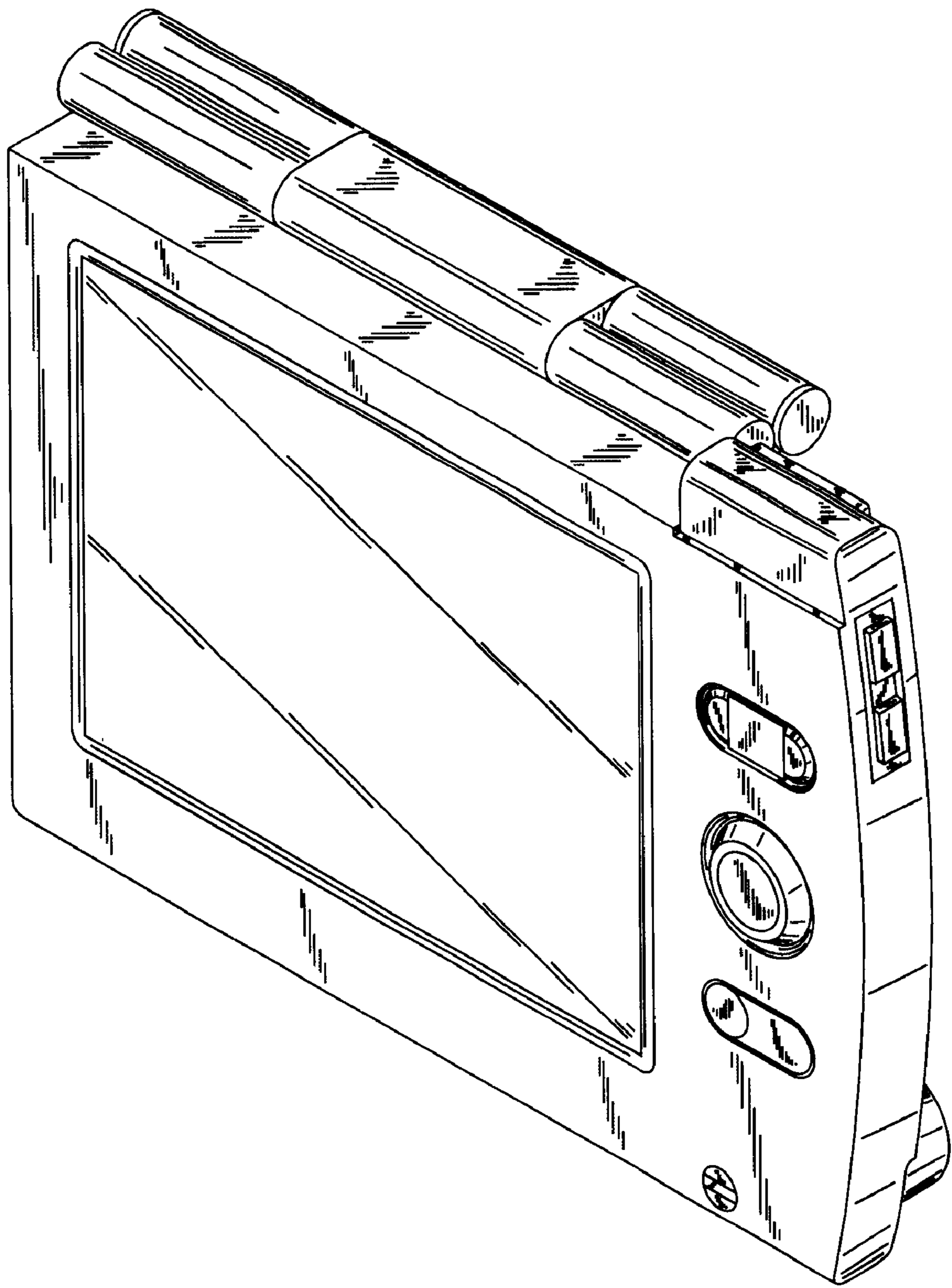


Fig. 1

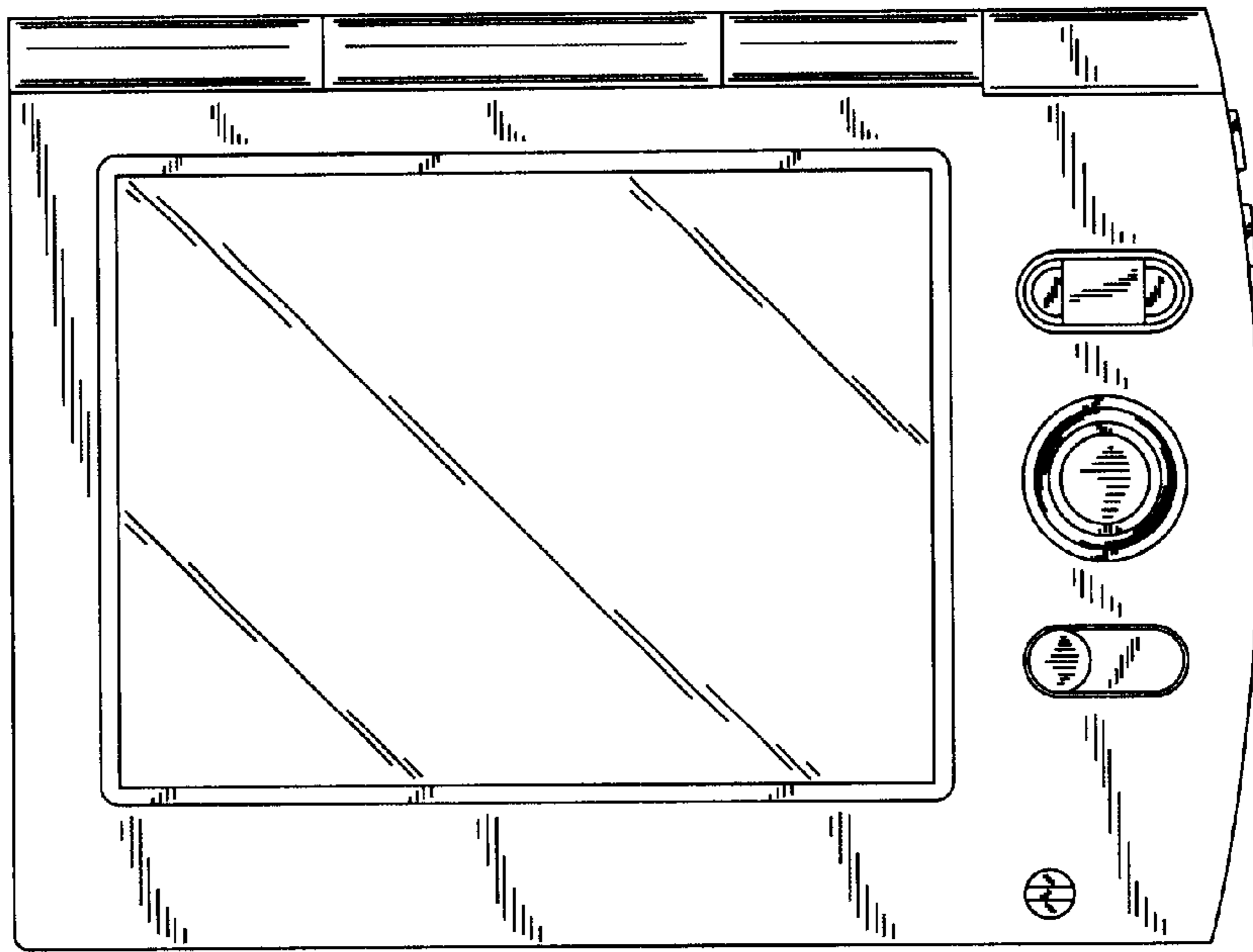


Fig. 2

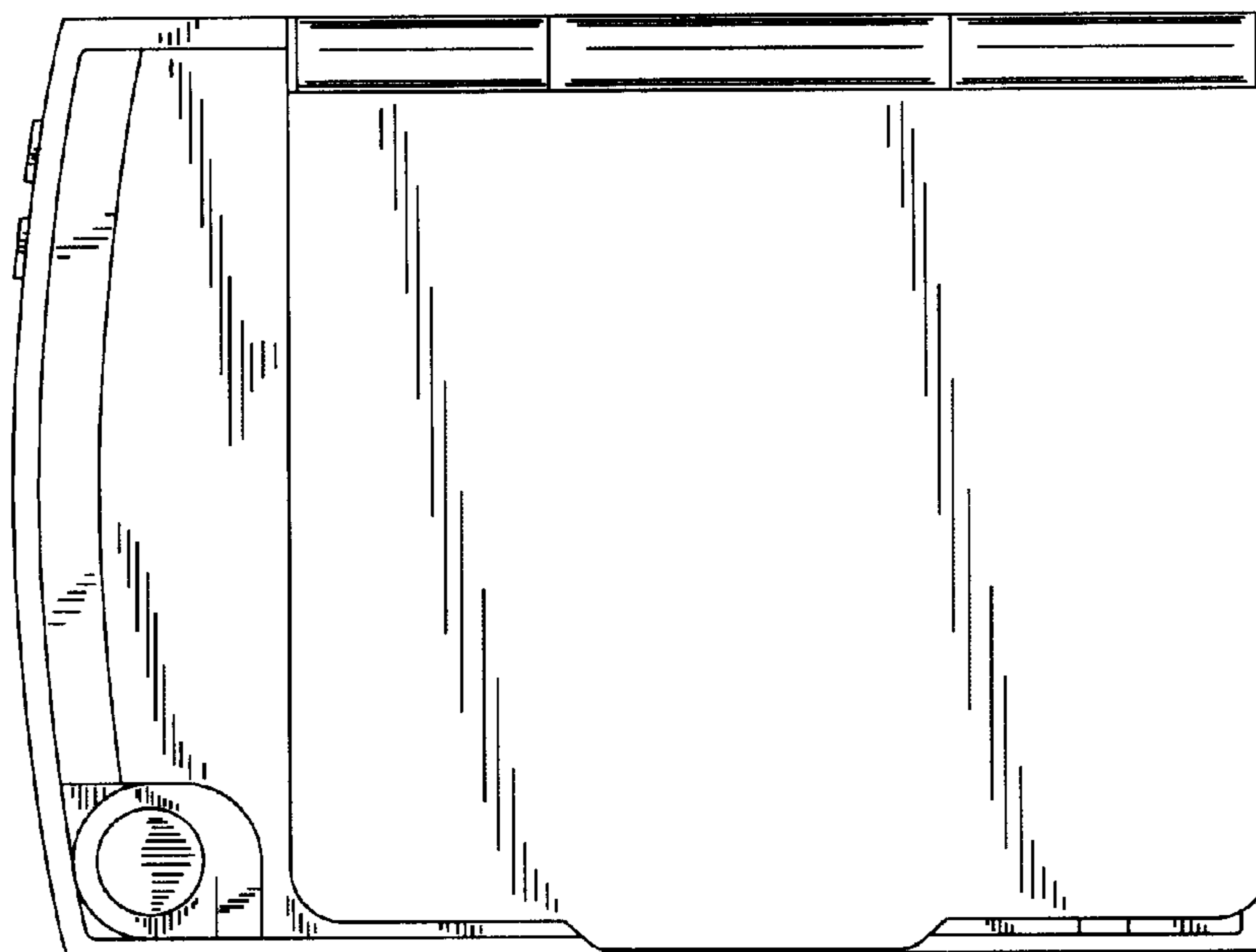


Fig. 3

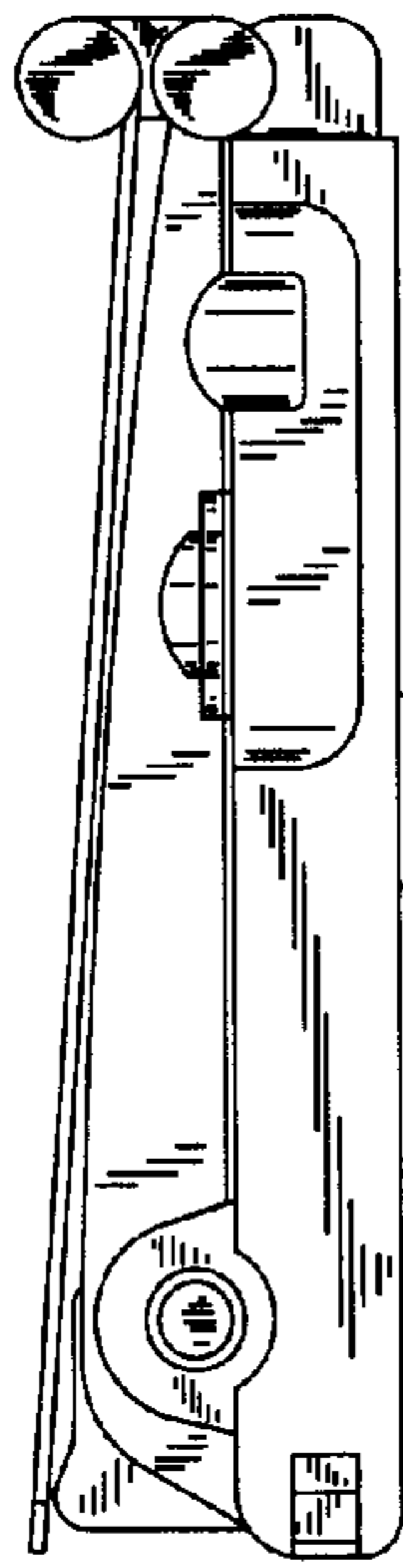


Fig. 4

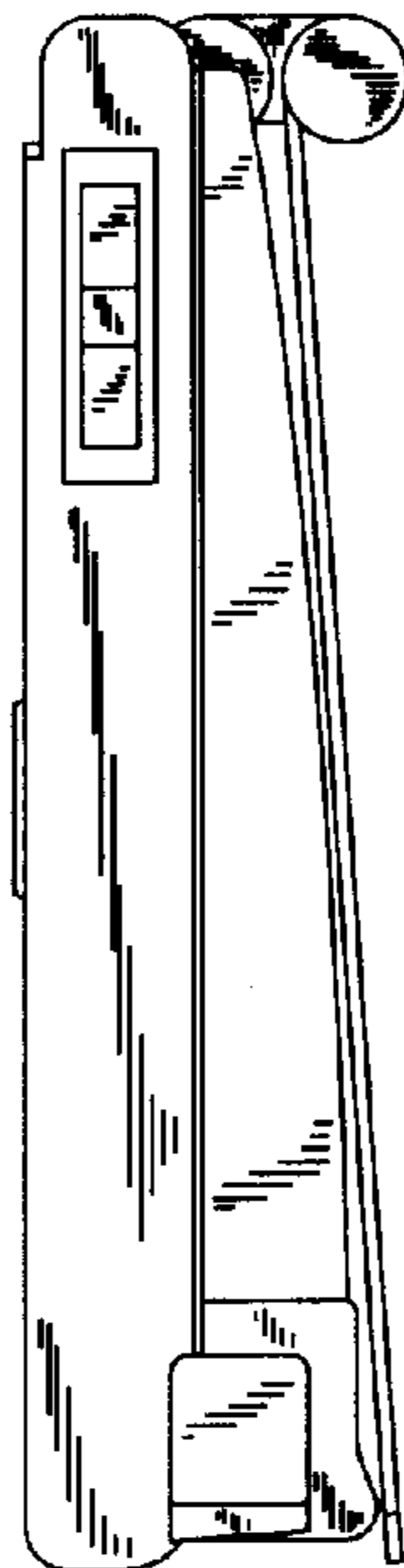


Fig. 5

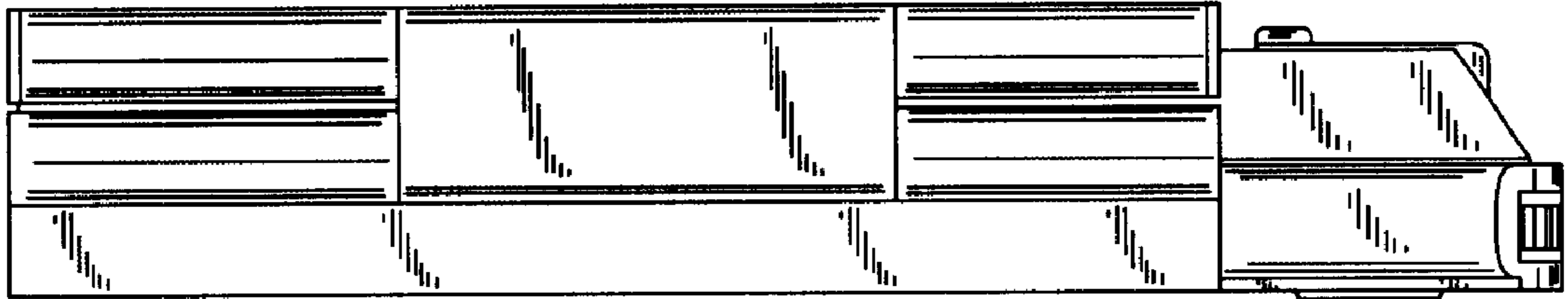


Fig. 6

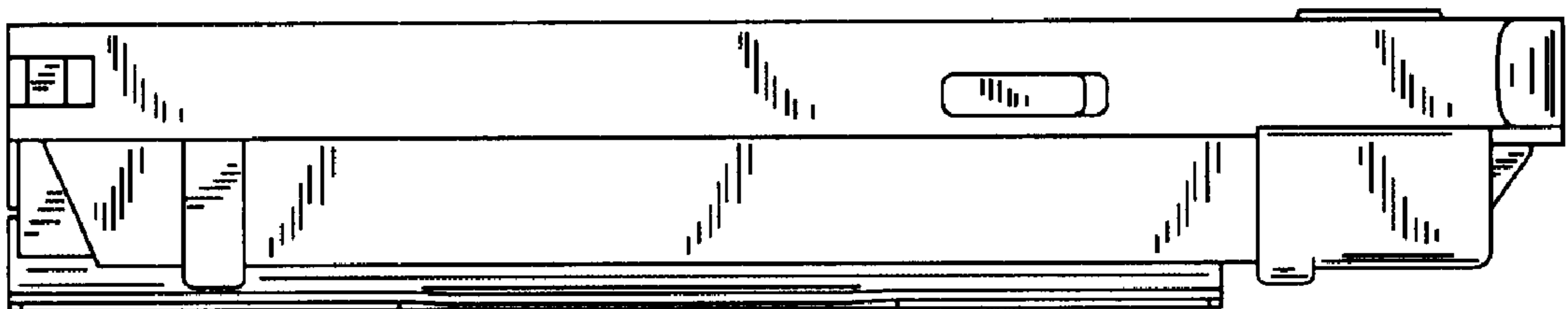


Fig. 7