



US00D473228S

(12) **United States Design Patent**
Hussaini et al.

(10) **Patent No.:** **US D473,228 S**

(45) **Date of Patent:** **** Apr. 15, 2003**

(54) **AUDIO AND VIDEO ACCESSORY FOR AN ELECTRONIC DEVICE**

Primary Examiner—Nanda Bondade
(74) *Attorney, Agent, or Firm*—Liniak, Berenato & White

(75) Inventors: **Saied Hussaini**, Miami, FL (US); **Marc Iacovelli**, Miami, FL (US)

(57) **CLAIM**

The ornamental design for an audio and video accessory for an electronic device, as shown and described.

(73) Assignee: **Intec, Inc.**, Miami, FL (US)

DESCRIPTION

(**) Term: **14 Years**

(21) Appl. No.: **29/160,778**

FIG. 1 is a front view of the audio and video accessory for an electronic device according to the present invention.

(22) Filed: **May 17, 2002**

FIG. 2 is a rear view of the audio and video accessory for an electronic device of FIG. 1.

(51) **LOC (7) Cl.** **14-02**

FIG. 3 is a left side view of the audio and video accessory for an electronic device of FIG. 1.

(52) **U.S. Cl.** **D14/356; D14/217**

FIG. 4 is a right side view of the audio and video accessory for an electronic device of FIG. 1.

(58) **Field of Search** D14/204, 207, D14/209–216, 336, 356, 217, 299; 361/681–683, 685; 381/87–88, 152, 386

FIG. 5 is a top view of the audio and video accessory for an electronic device of FIG. 1.

(56) **References Cited**

U.S. PATENT DOCUMENTS

5,519,572 A *	5/1996	Luo	361/685
D433,021 S *	10/2000	Shibata	D14/356
6,144,746 A *	11/2000	Azima et al.	381/152
D464,947 S *	10/2002	Hussaini et al.	D14/217
6,466,436 B2 *	10/2002	Faranda et al.	361/685

FIG. 6 is a bottom view of the audio and video accessory for an electronic device of FIG. 1.

FIG. 7 is a top view of the audio and video accessory of an electronic device of FIG. 1, with the display in an alternate position; and,

FIG. 8 is a front and left perspective view of the audio and video accessory of an electronic device of FIG. 1.

* cited by examiner

1 Claim, 7 Drawing Sheets

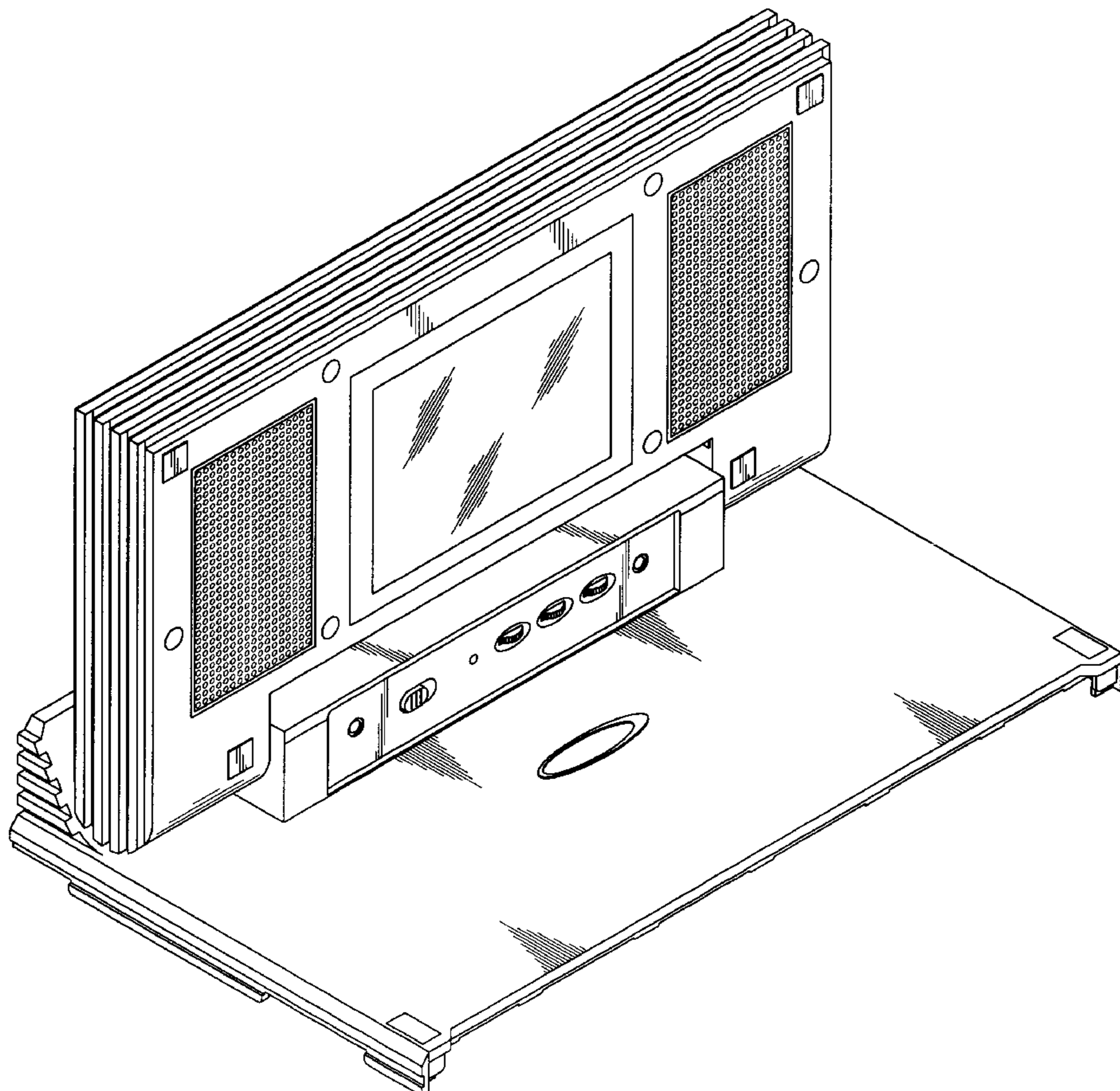


Fig. 1

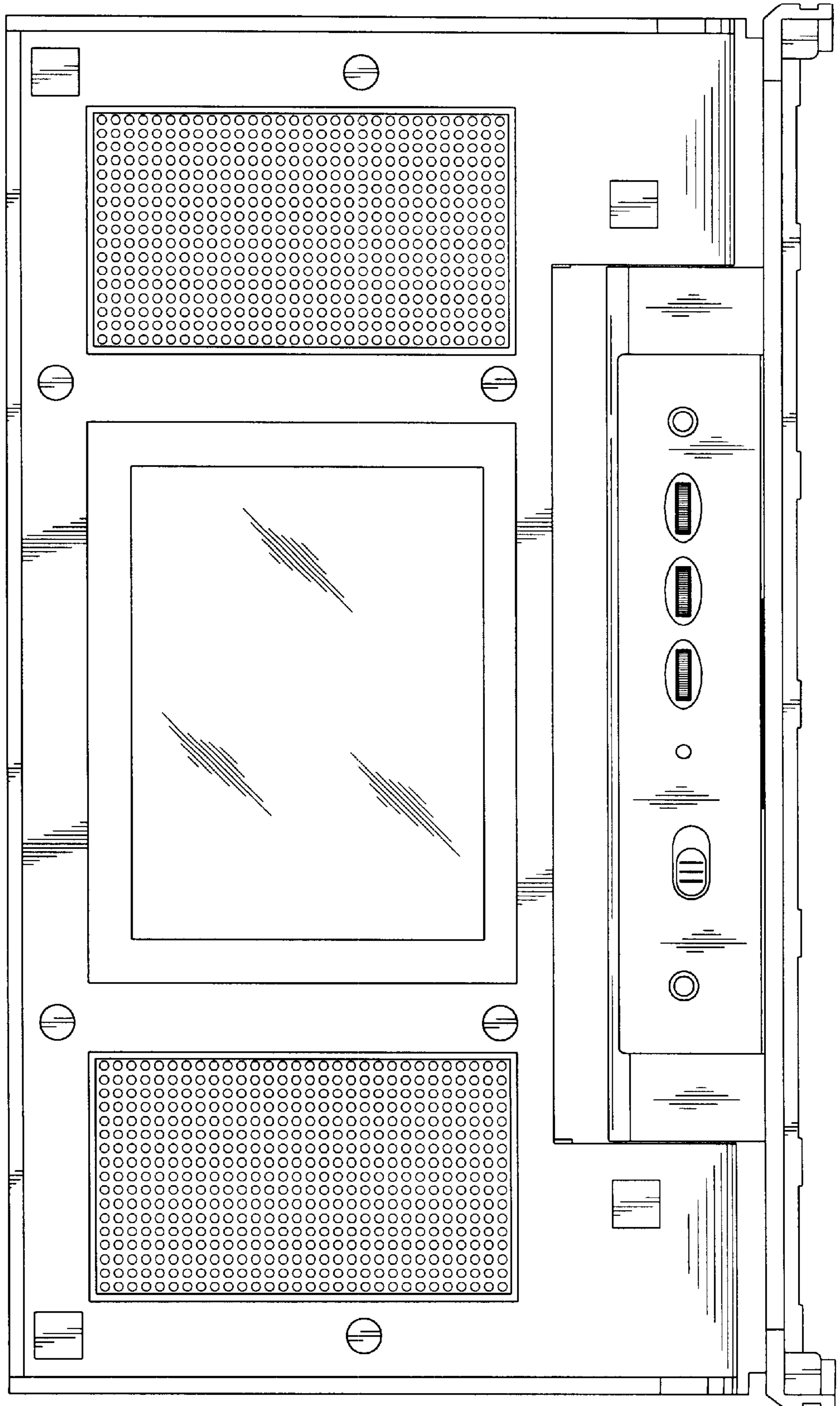


Fig. 2

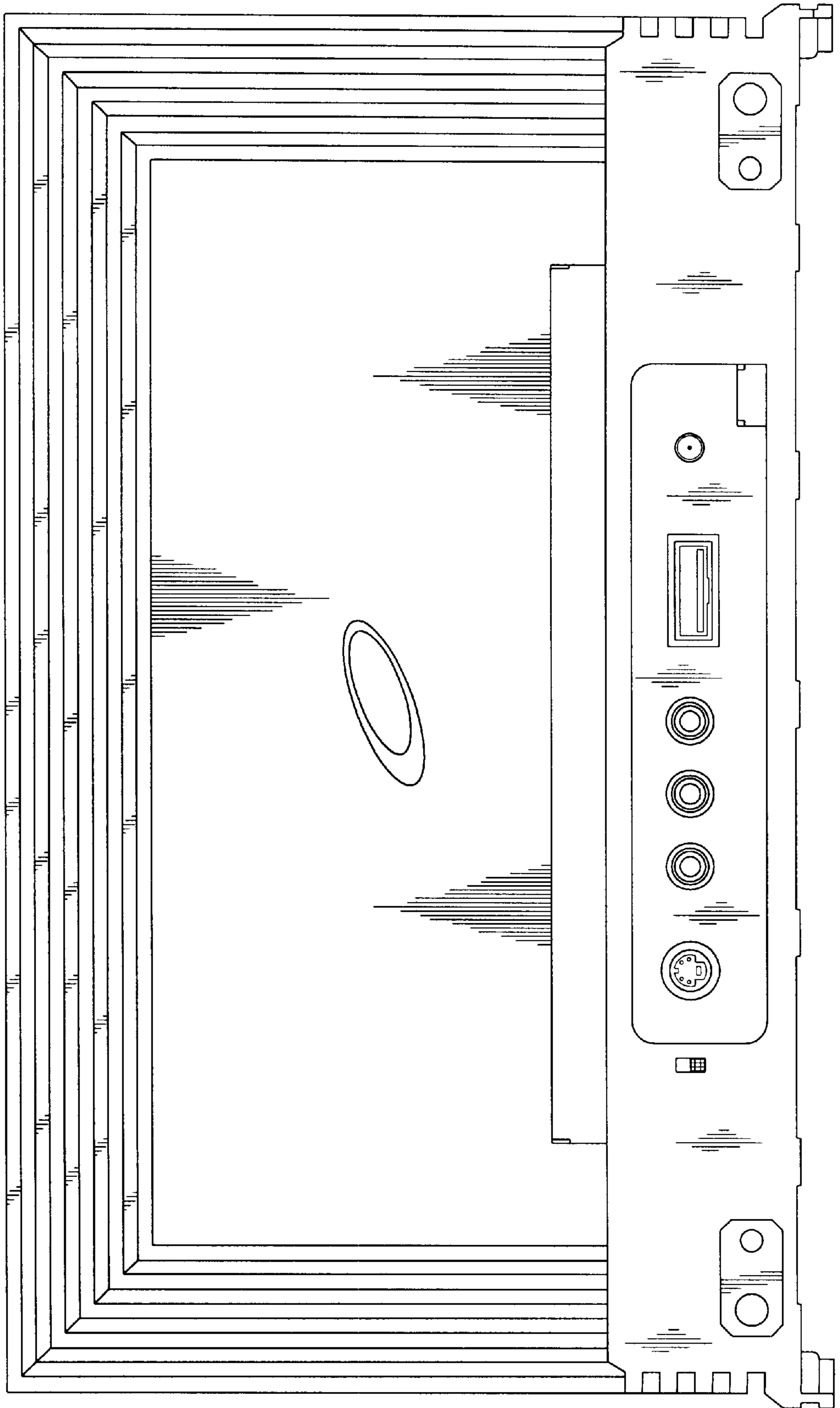


Fig. 4

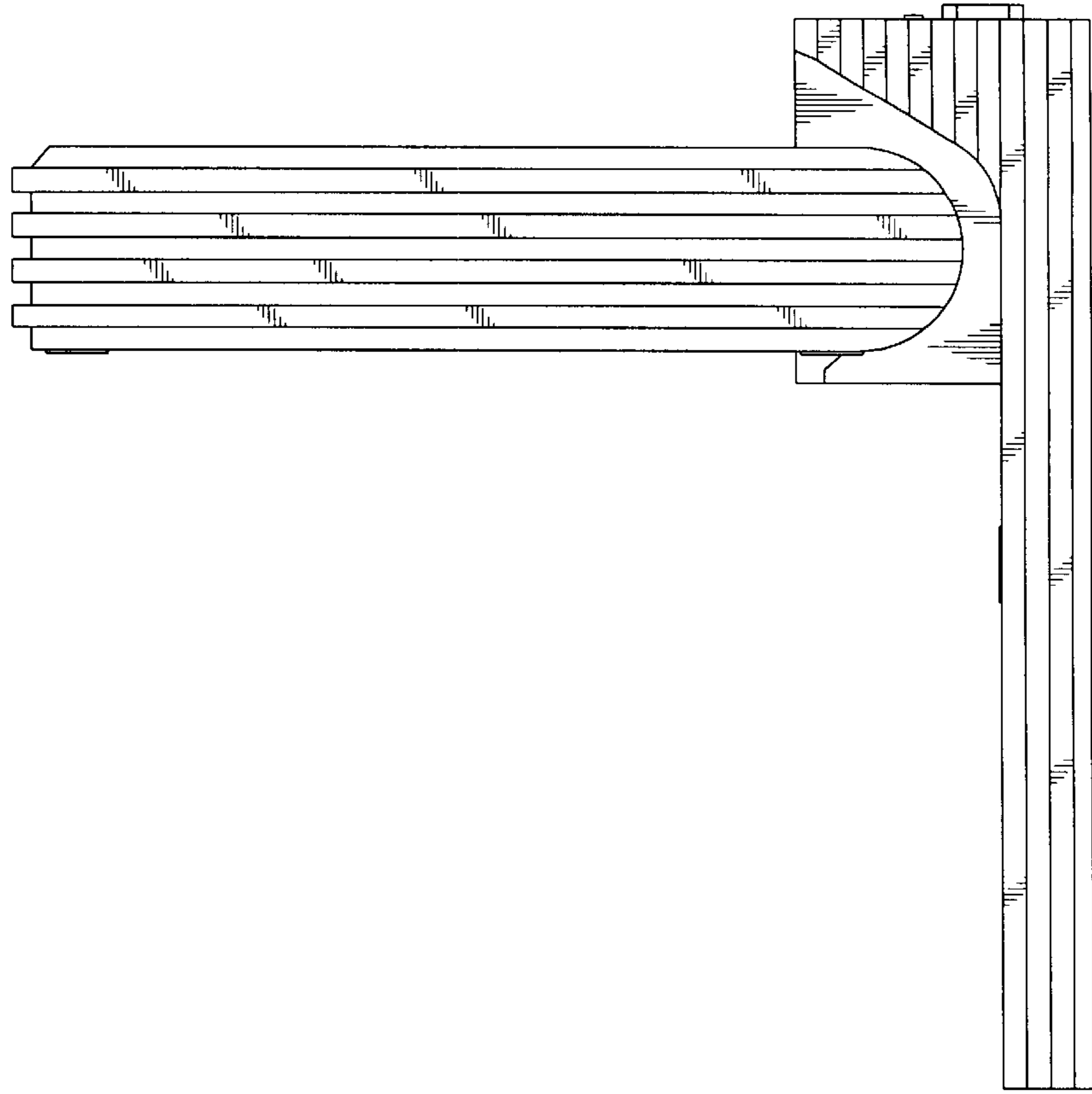


Fig. 3

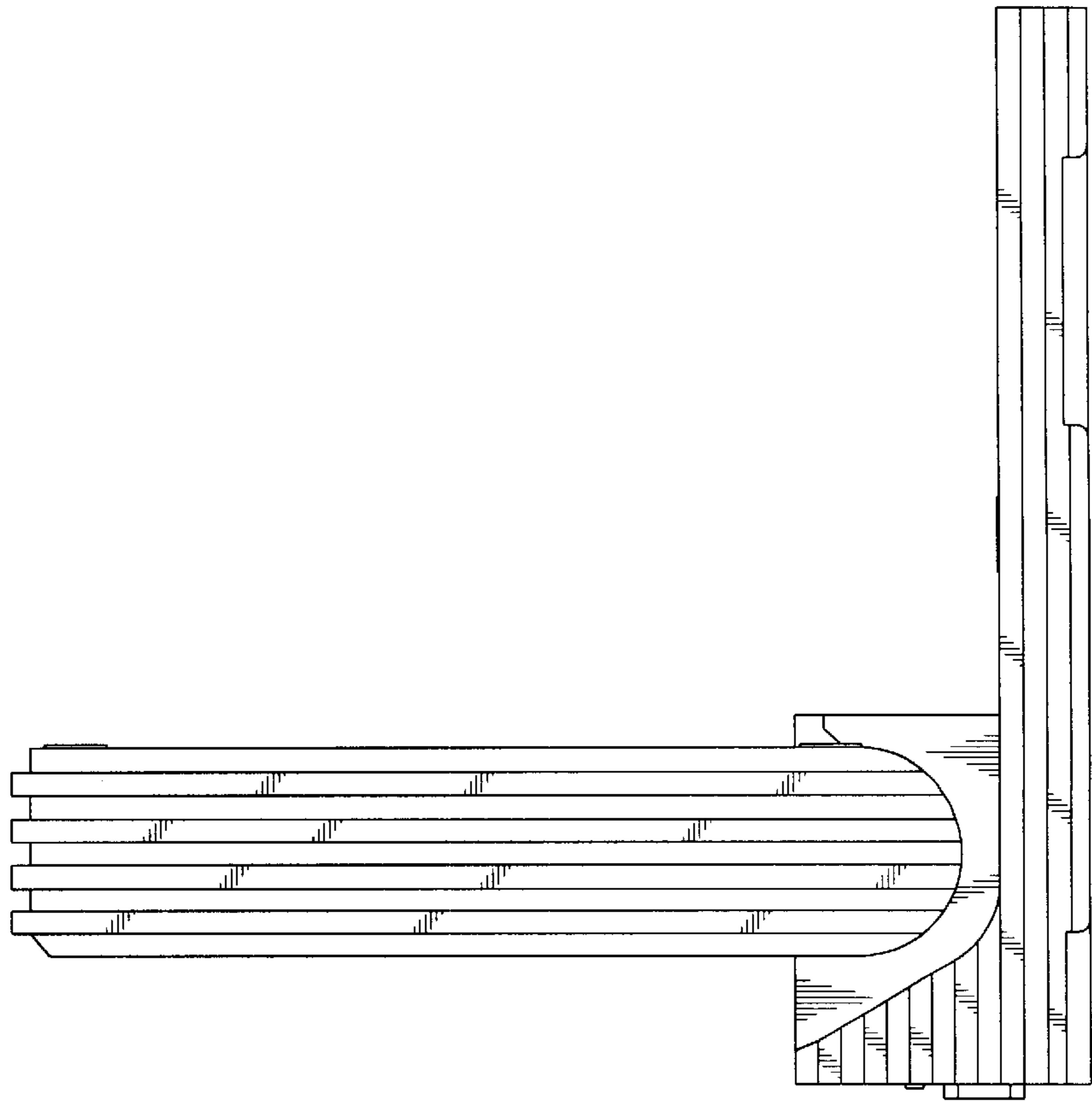


Fig. 5

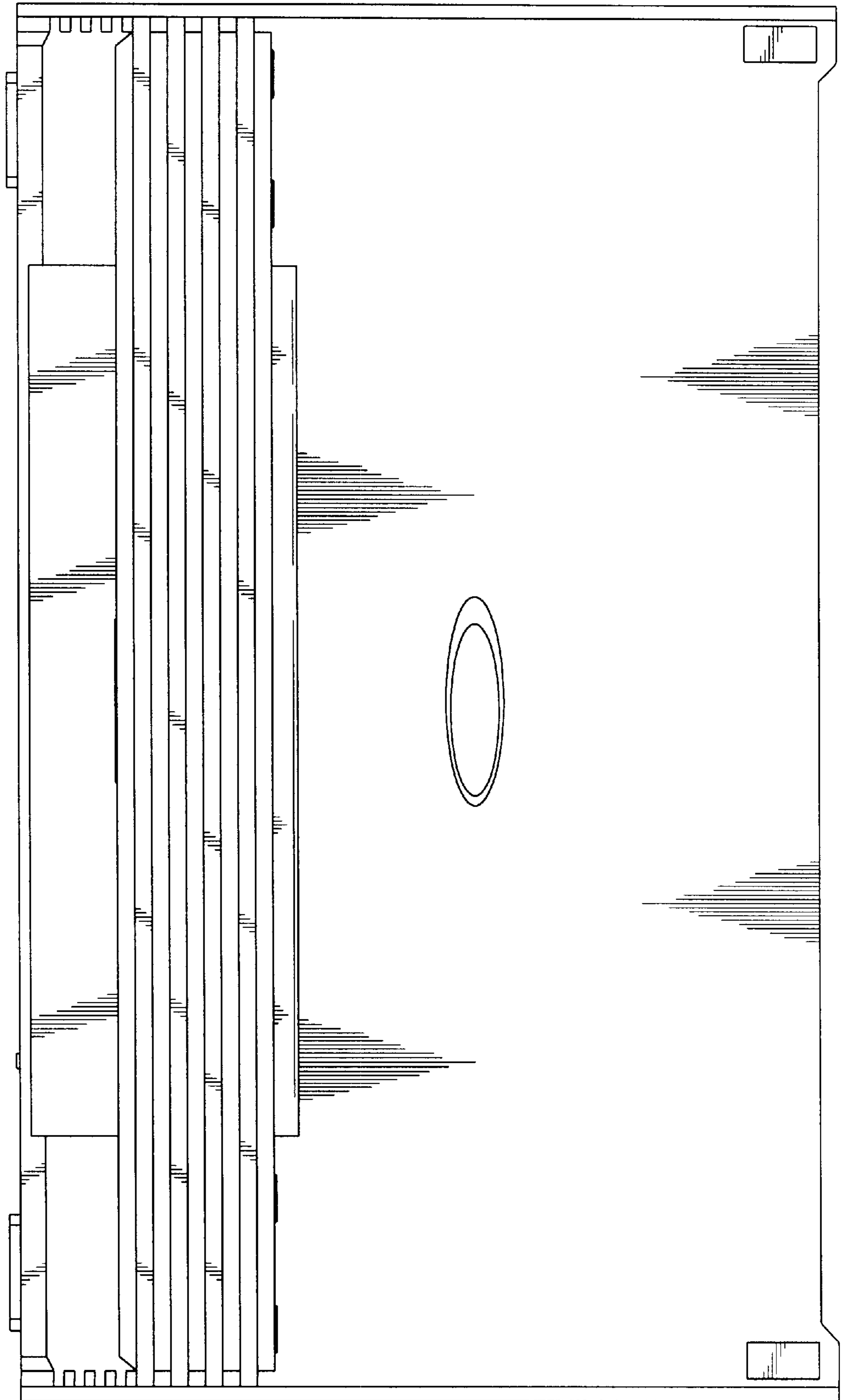


Fig. 6

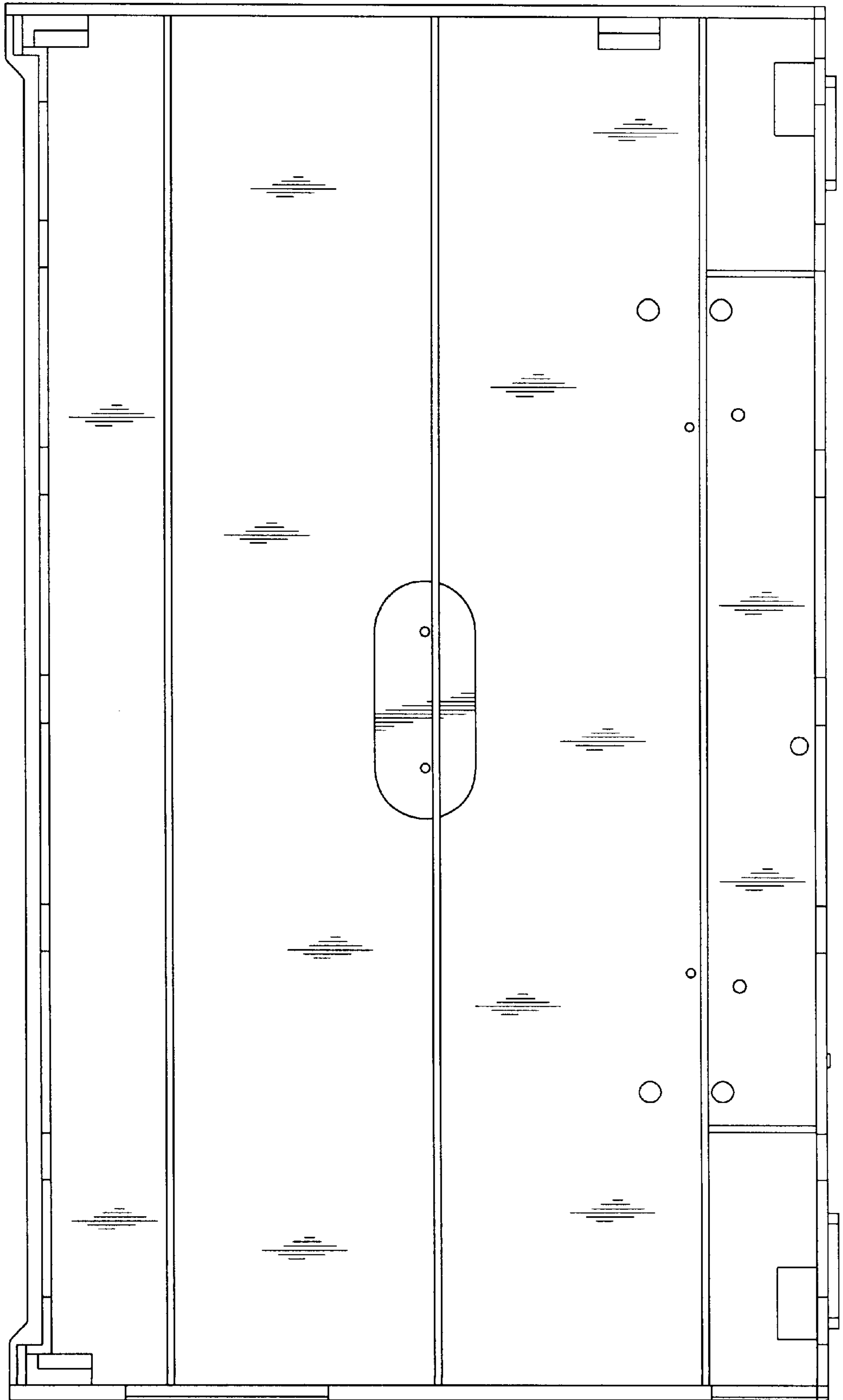
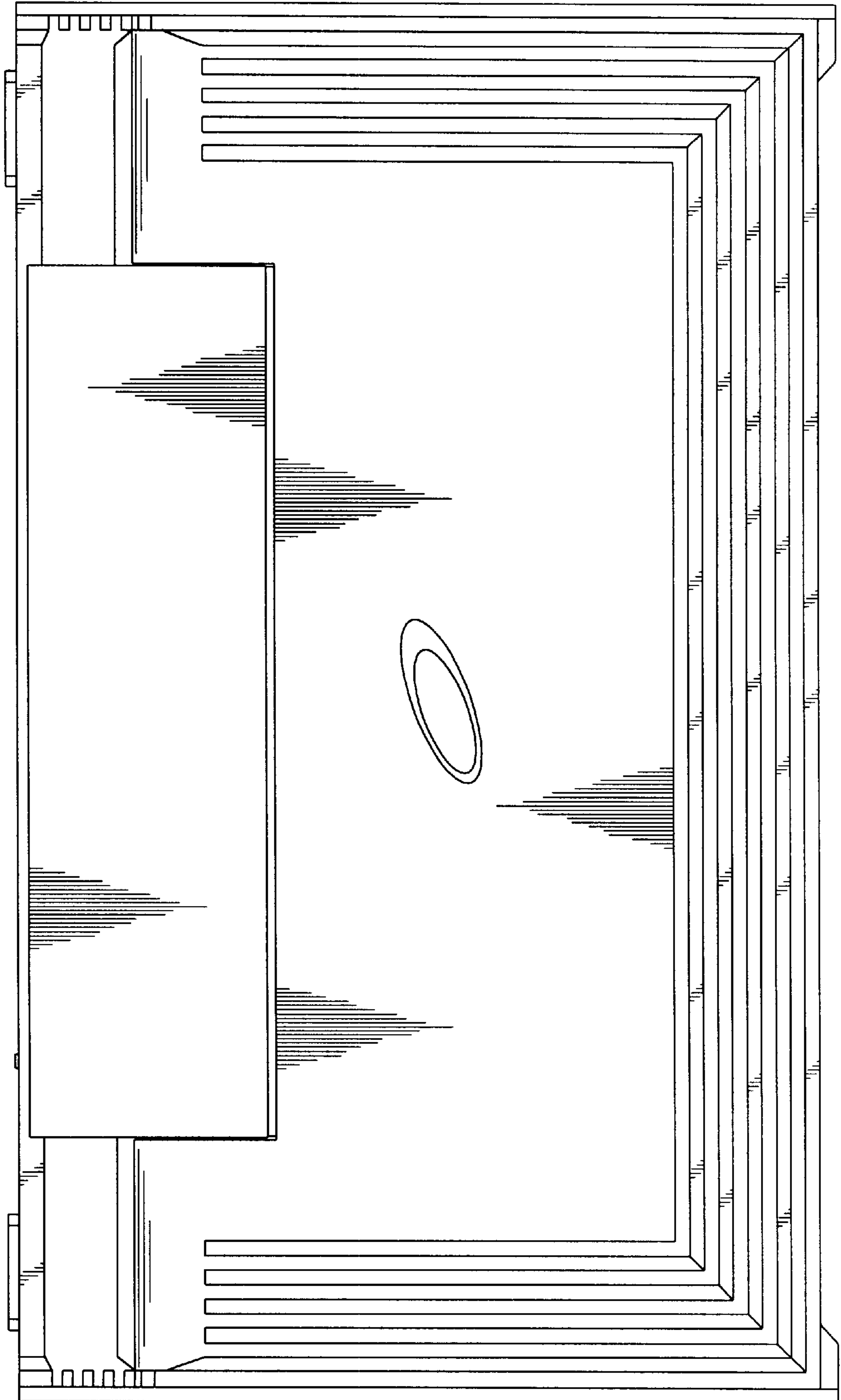


Fig. 7



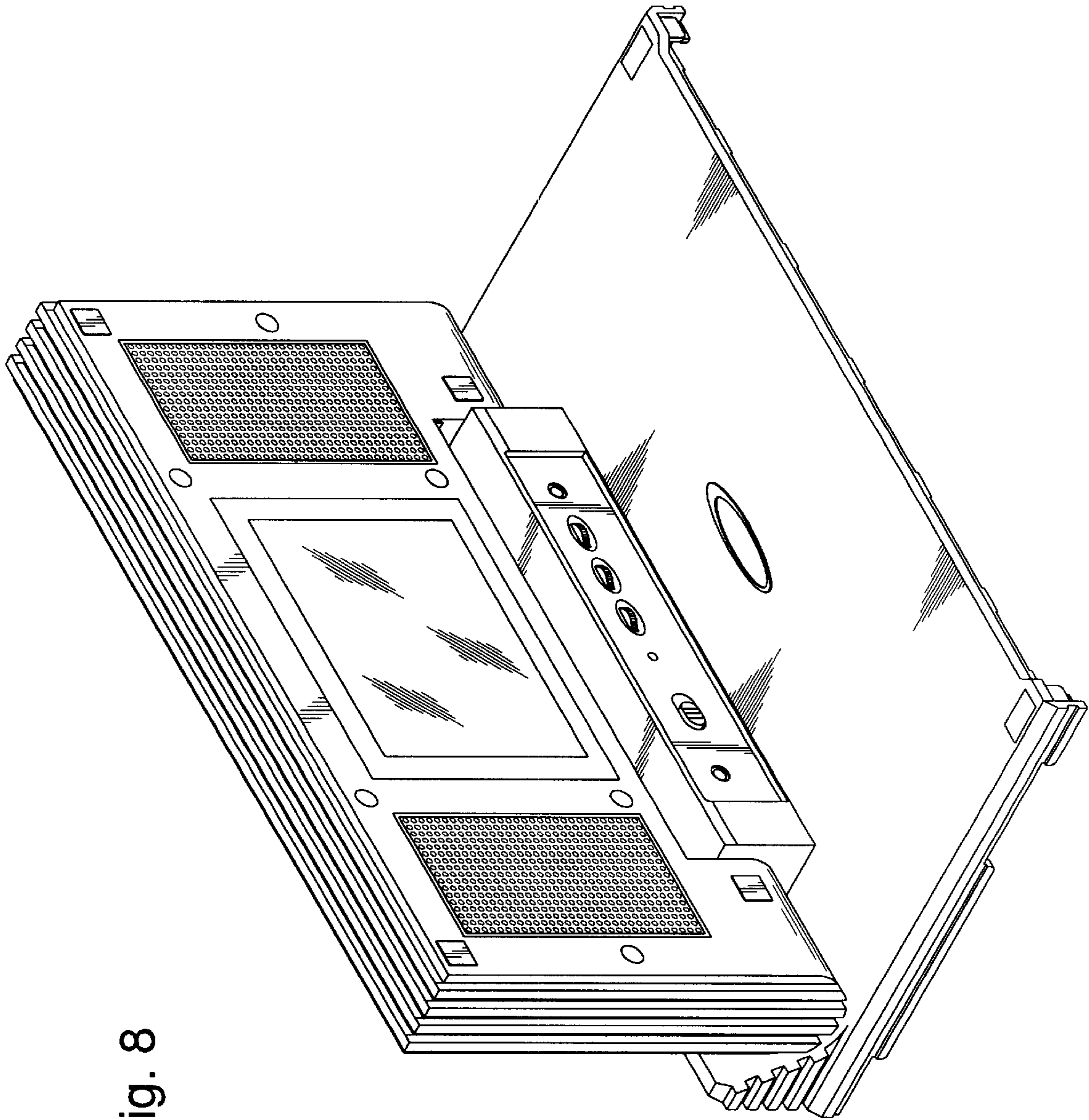


Fig. 8