



US00D473215S

(12) **United States Design Patent**
Dayan

(10) **Patent No.:** **US D473,215 S**

(45) **Date of Patent:** **** Apr. 15, 2003**

(54) **STEREO SPEAKER GRILL**

6,094,497 A * 7/2000 Mohler 381/391

(75) Inventor: **Mervin A. Dayan**, Oakhurst, NJ (US)

* cited by examiner

(73) Assignee: **Roadmaster (USA) Corp.**, Eatontown, NJ (US)

Primary Examiner—Nanda Bondade
(74) *Attorney, Agent, or Firm*—Wolf, Block, Schorr and Solis-Cohen LLP; Robert F. Zielinski; Eric A. Dichter

(**) Term: **14 Years**

(57) **CLAIM**

(21) Appl. No.: **29/159,117**

The ornamental design for a stereo speaker grill, as shown and described.

(22) Filed: **Apr. 12, 2002**

(51) **LOC (7) Cl.** **14-01**

(52) **U.S. Cl.** **D14/219**

(58) **Field of Search** D14/204, 207,
D14/209–216, 356; 181/144–145, 147–148,
150, 153, 157, 198–199; 381/189, 333,
391, 433

DESCRIPTION

FIG. 1 is a perspective view of the present invention;
FIG. 2 is a top plan view thereof;
FIG. 3 is a side elevational view thereof; and,
FIG. 4 is a cross sectional view of FIG. 2 taken along line 4—4 thereof.

The broken lines showing other environmental structures are for illustrative purposes only, and do not form part of the invention.

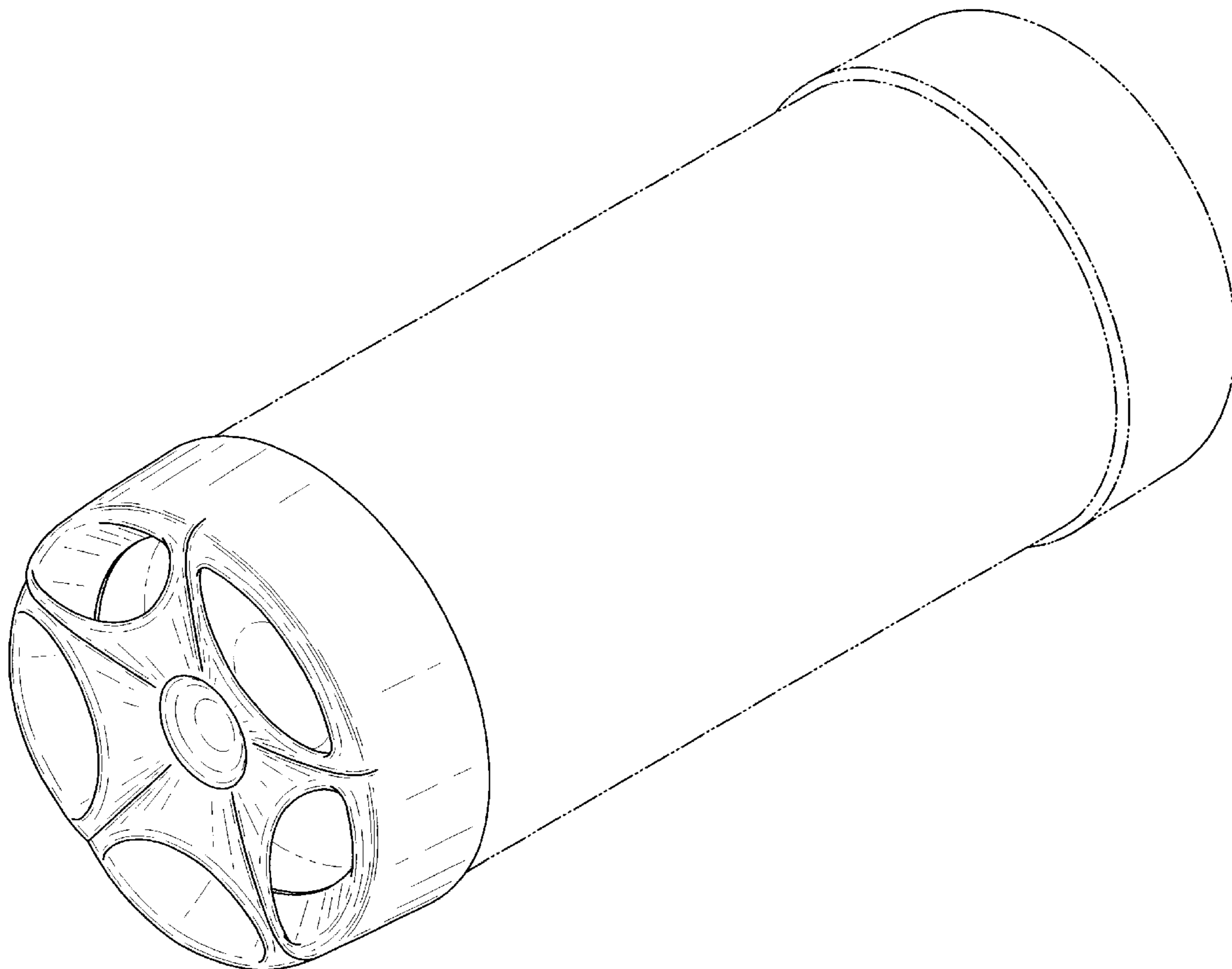
The bottom plan view of the invention has no ornamentation and thus is not shown in the drawings.

(56) **References Cited**

U.S. PATENT DOCUMENTS

- D155,609 S * 10/1949 Hooks D14/214
- D317,160 S * 5/1991 Kurata et al. D14/216
- D408,414 S * 4/1999 Stead et al. D14/225

1 Claim, 2 Drawing Sheets



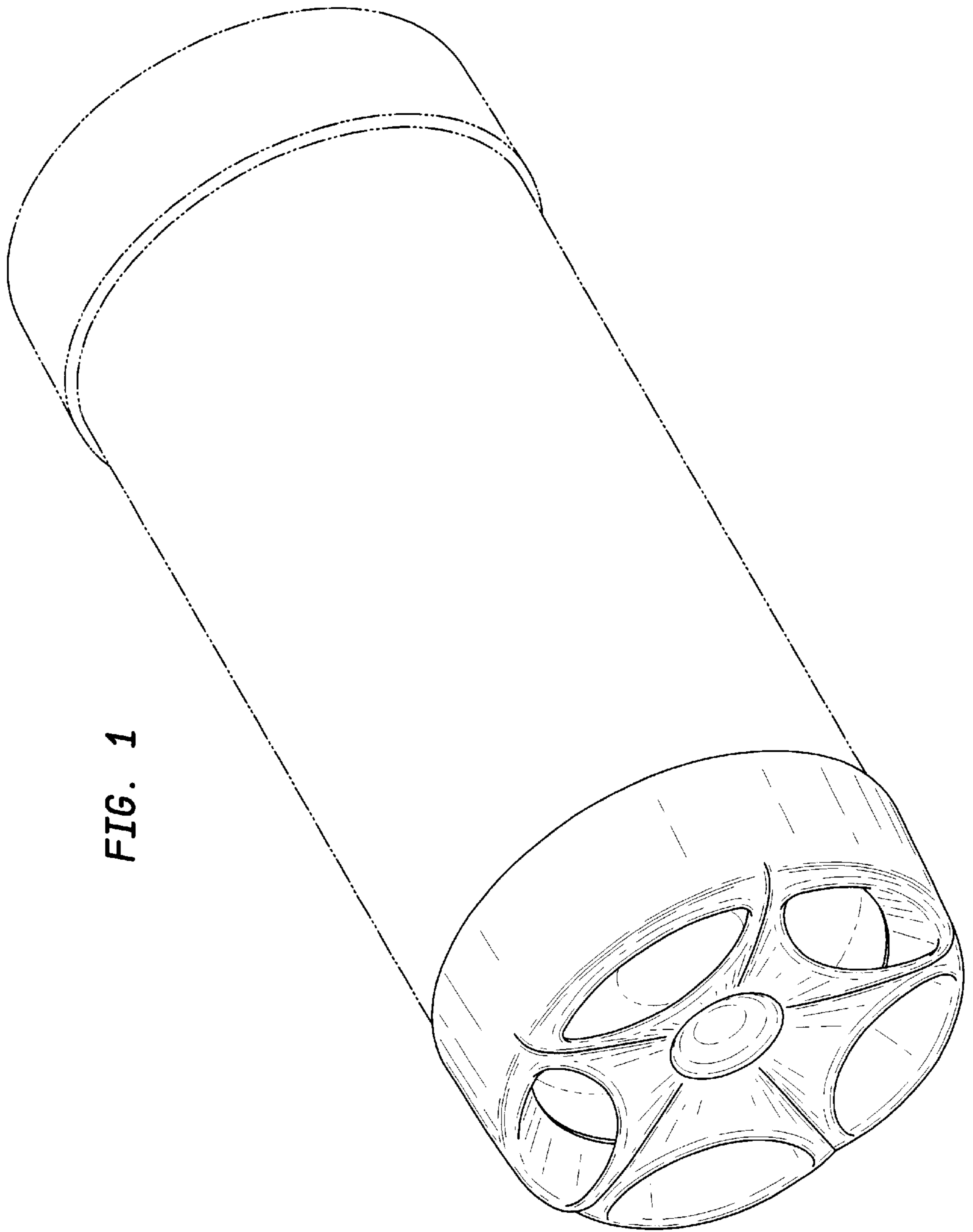


FIG. 1

FIG. 2

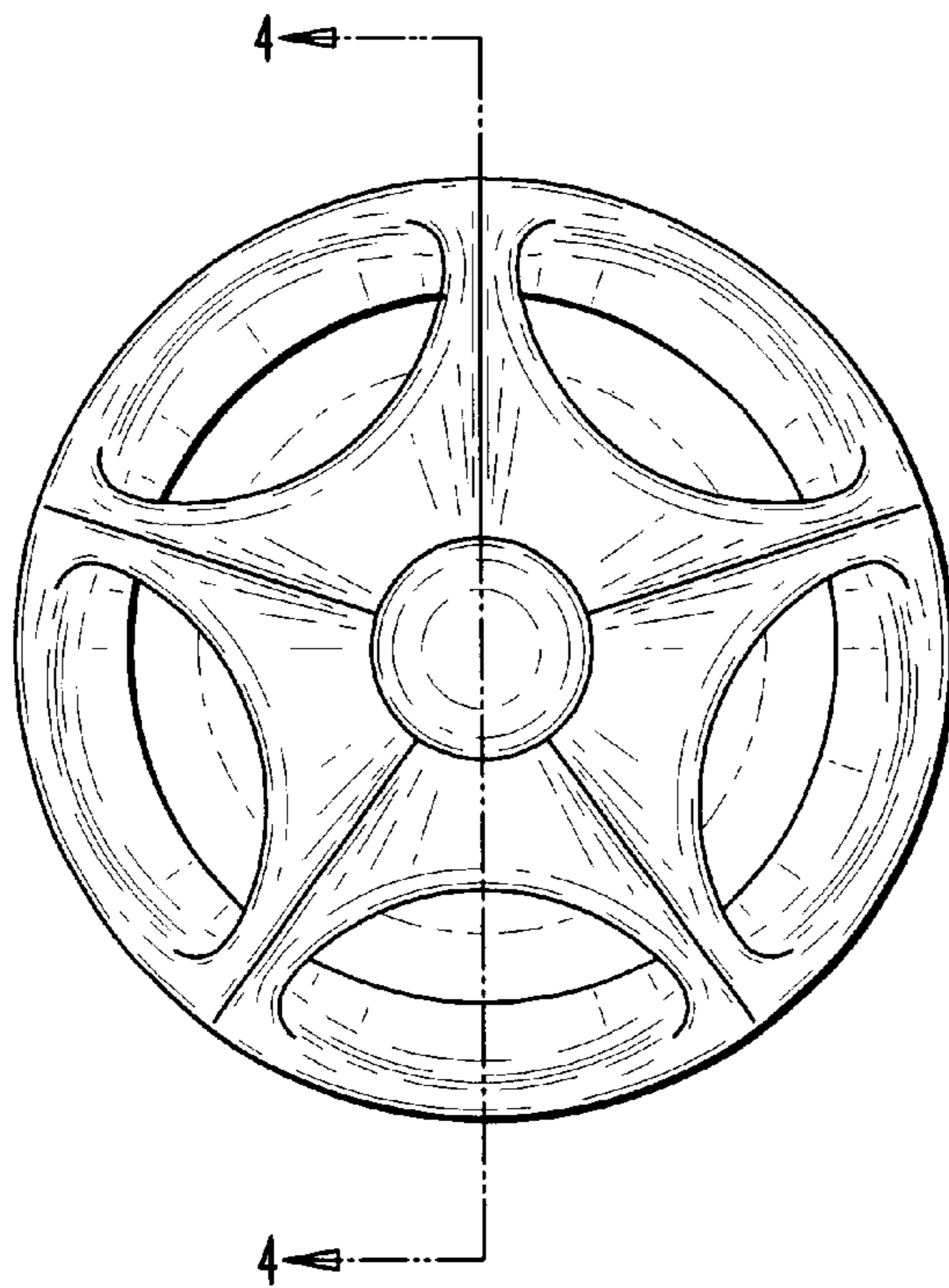


FIG. 3



FIG. 4

