



US00D473214S

(12) **United States Design Patent**
Dayan

(10) **Patent No.:** **US D473,214 S**

(45) **Date of Patent:** **** Apr. 15, 2003**

(54) **STEREO SPEAKER GRILL**

(75) Inventor: **Mervin A. Dayan**, Oakhurst, NJ (US)

(73) Assignee: **Roadmaster (USA) Corp.**, Eatontown, NJ (US)

(**) Term: **14 Years**

(21) Appl. No.: **29/159,082**

(22) Filed: **Apr. 12, 2002**

(51) **LOC (7) Cl.** **14-01**

(52) **U.S. Cl.** **D14/219**

(58) **Field of Search** D14/204, 207,
D14/209-216, 356; 181/144-145, 147-148,
150, 153, 157, 198-199; 381/189, 333,
391, 433

(56) **References Cited**

U.S. PATENT DOCUMENTS

D155,609 S * 10/1949 Hooks D14/214
D317,160 S * 5/1991 Kurata et al. D14/216
6,094,497 A * 7/2000 Mohler 381/391

D449,293 S * 10/2001 Irby et al. D14/219

* cited by examiner

Primary Examiner—Nanda Bondade

(74) *Attorney, Agent, or Firm*—Wolf, Block, Schorr and Solis-Cohen LLP; Robert F. Zielinski; Eric A. Dichter

(57) **CLAIM**

The ornamental design for a stereo speaker grill, as shown and described.

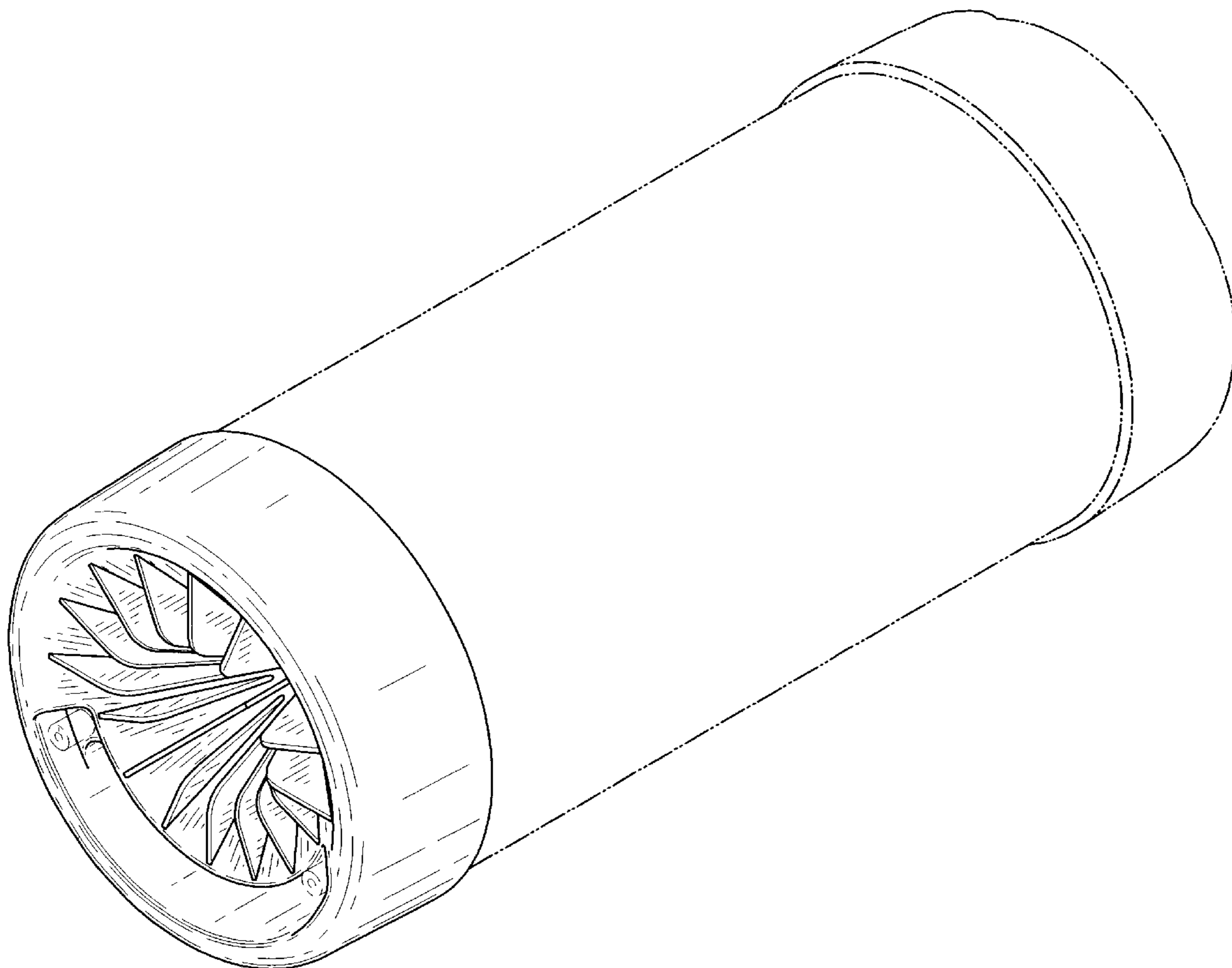
DESCRIPTION

FIG. 1 is a perspective view of the present invention; FIG. 2 is a top plan view thereof; FIG. 3 is a side elevational view thereof; and, FIG. 4 is a cross sectional view of FIG. 2 taken along line 4-4 thereof.

The broken lines showing other environmental structures are for illustrative purposes only, and do not form part of the invention.

The bottom plan view of the invention has no ornamentation and thus is not shown in the drawings.

1 Claim, 2 Drawing Sheets



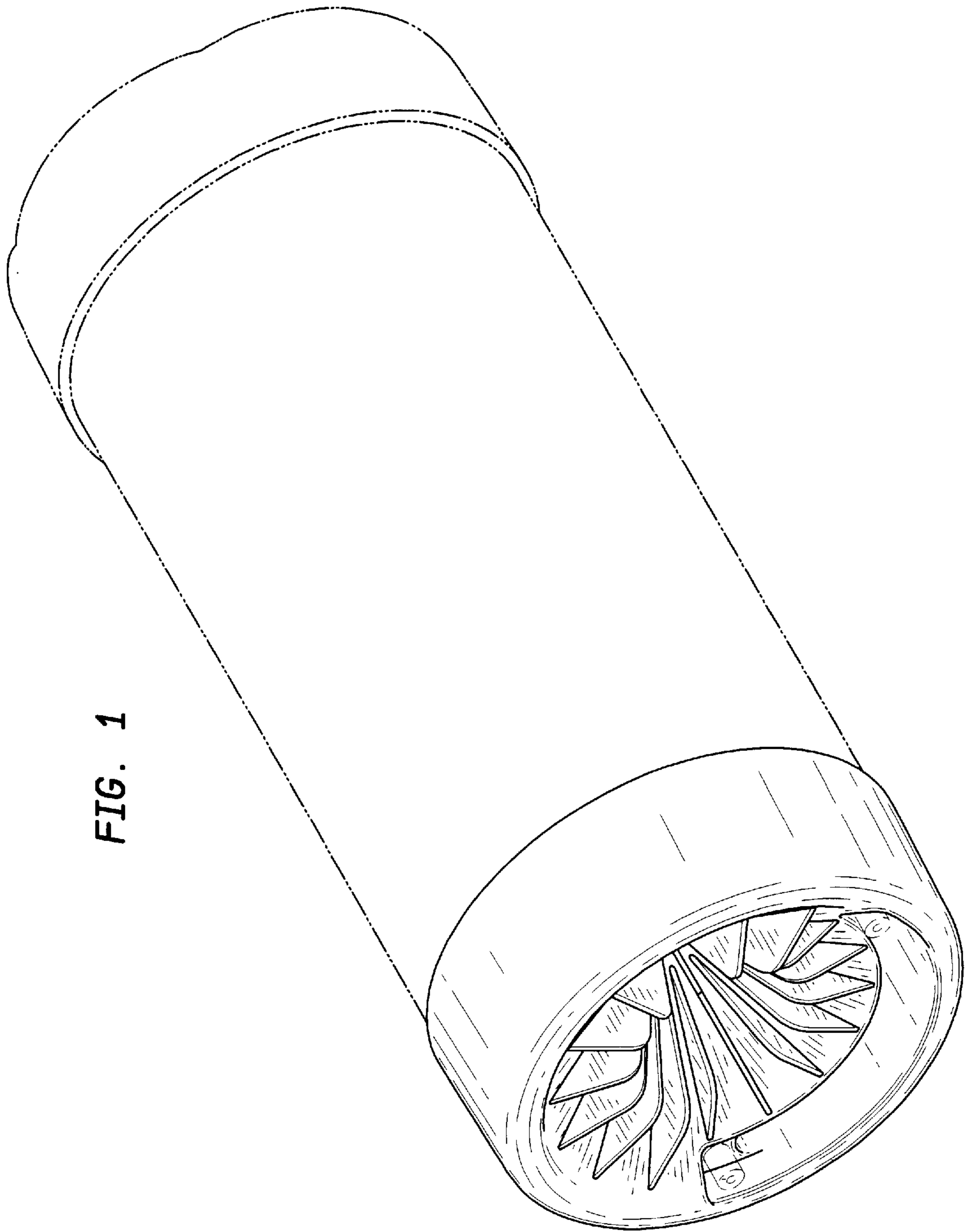


FIG. 1

FIG. 2

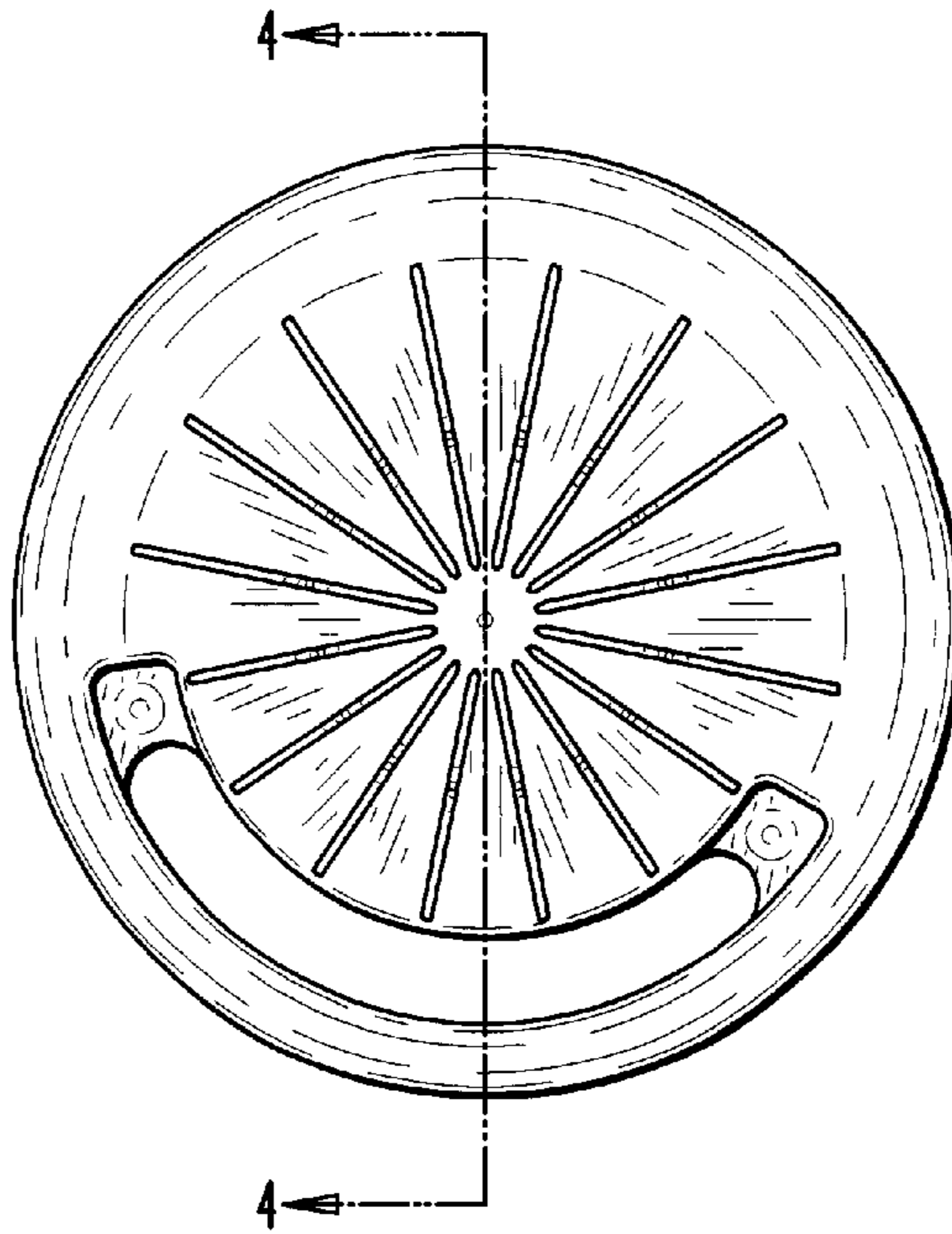


FIG. 3

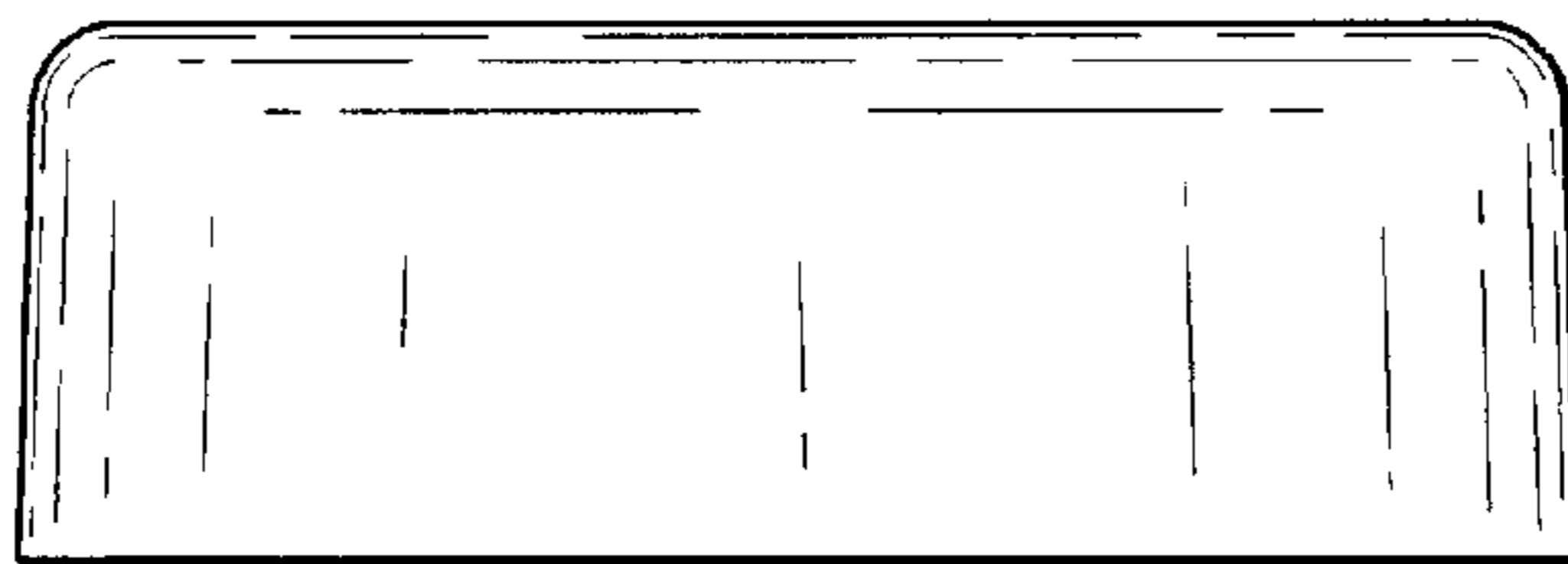


FIG. 4

