



US00D473211S

(12) **United States Design Patent**
Price et al.

(10) **Patent No.:** **US D473,211 S**

(45) **Date of Patent:** **** Apr. 15, 2003**

(54) **LOUDSPEAKER**

(75) Inventors: **Carl J. Price**, Framingham, MA (US);
Joseph A. Vorce, Framingham, MA (US)

(73) Assignee: **Bose Corporation**, Framingham, MA (US)

(**) Term: **14 Years**

(21) Appl. No.: **29/146,176**

(22) Filed: **Aug. 3, 2001**

(51) **LOC (7) Cl.** **14-01**

(52) **U.S. Cl.** **D14/214**

(58) **Field of Search** D14/204, 207,
D14/209-216, 188; 181/144-145, 147-148,
150, 153, 157, 198-199; 381/300-302,
307, 345, 361-364, 386

(56) **References Cited**

U.S. PATENT DOCUMENTS

D384,355 S * 9/1997 Chang D14/214

D401,584 S * 11/1998 Lewis D14/214

D421,754 S * 3/2000 Ito et al. D14/214

D432,522 S * 10/2000 Kieltyka et al. D14/216

* cited by examiner

Primary Examiner—Nanda Bondade

(74) *Attorney, Agent, or Firm*—Fish & Richardson P.C.

(57) **CLAIM**

The ornamental design for a loudspeaker, substantially as shown and described.

DESCRIPTION

FIG. 1 is a perspective view of the loudspeaker according to the invention;

FIG. 2 is a front view of the loudspeaker;

FIG. 3 is a rear view of the loudspeaker;

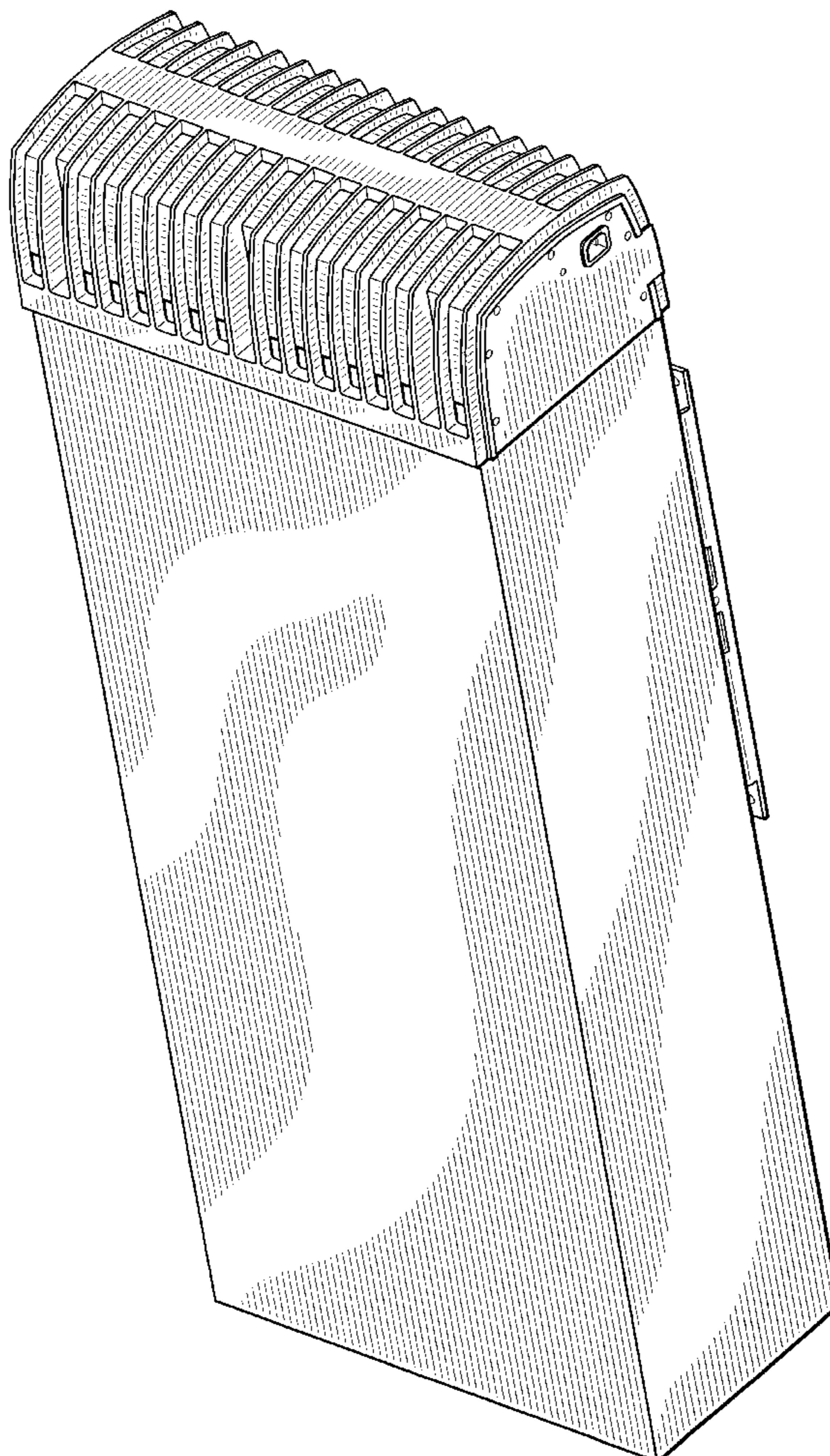
FIG. 4 is a left side elevational view of the loudspeaker;

FIG. 5 is a right side elevational view of the loudspeaker;

FIG. 6 is an enlarged top plan view of the loudspeaker; and,

FIG. 7 is an enlarged bottom view of the loudspeaker.

1 Claim, 6 Drawing Sheets



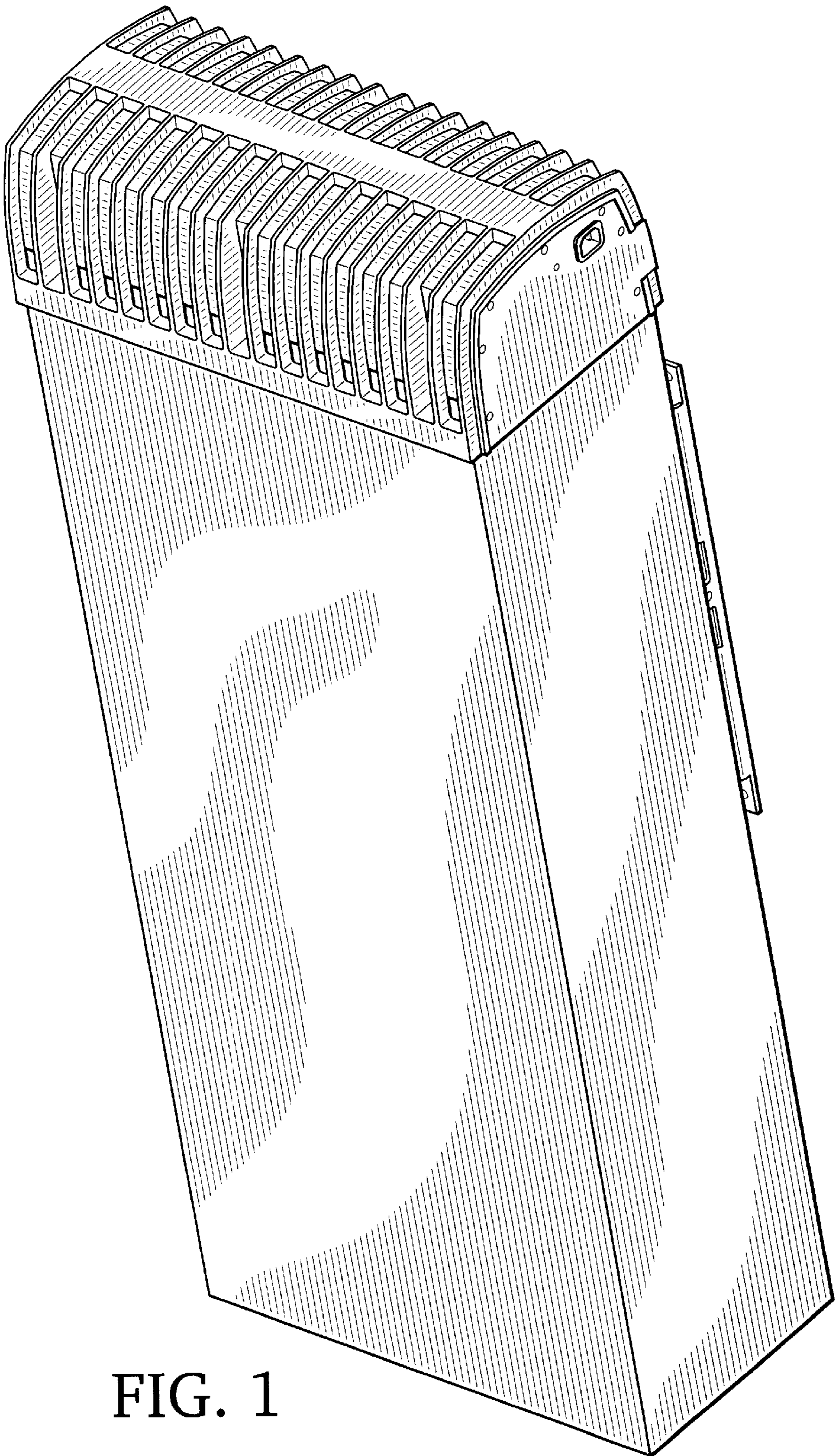


FIG. 1

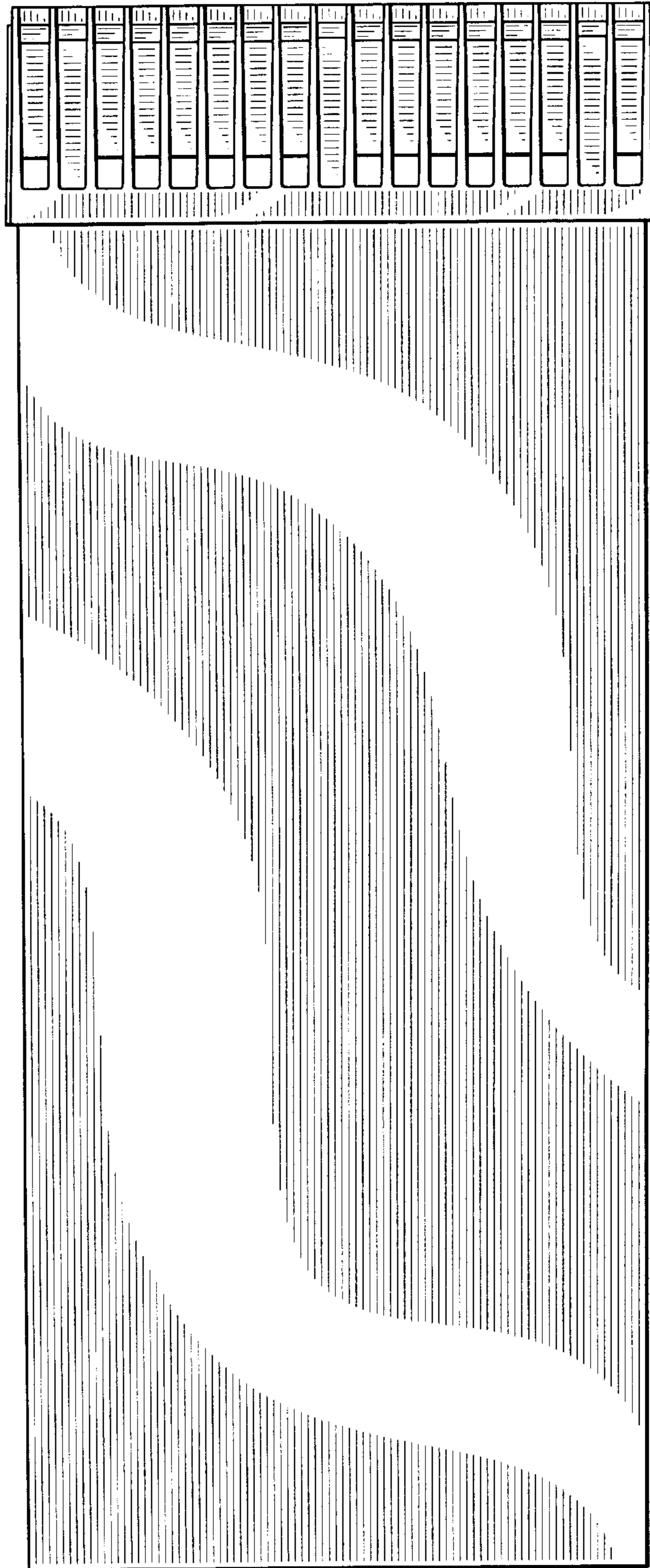


FIG. 2

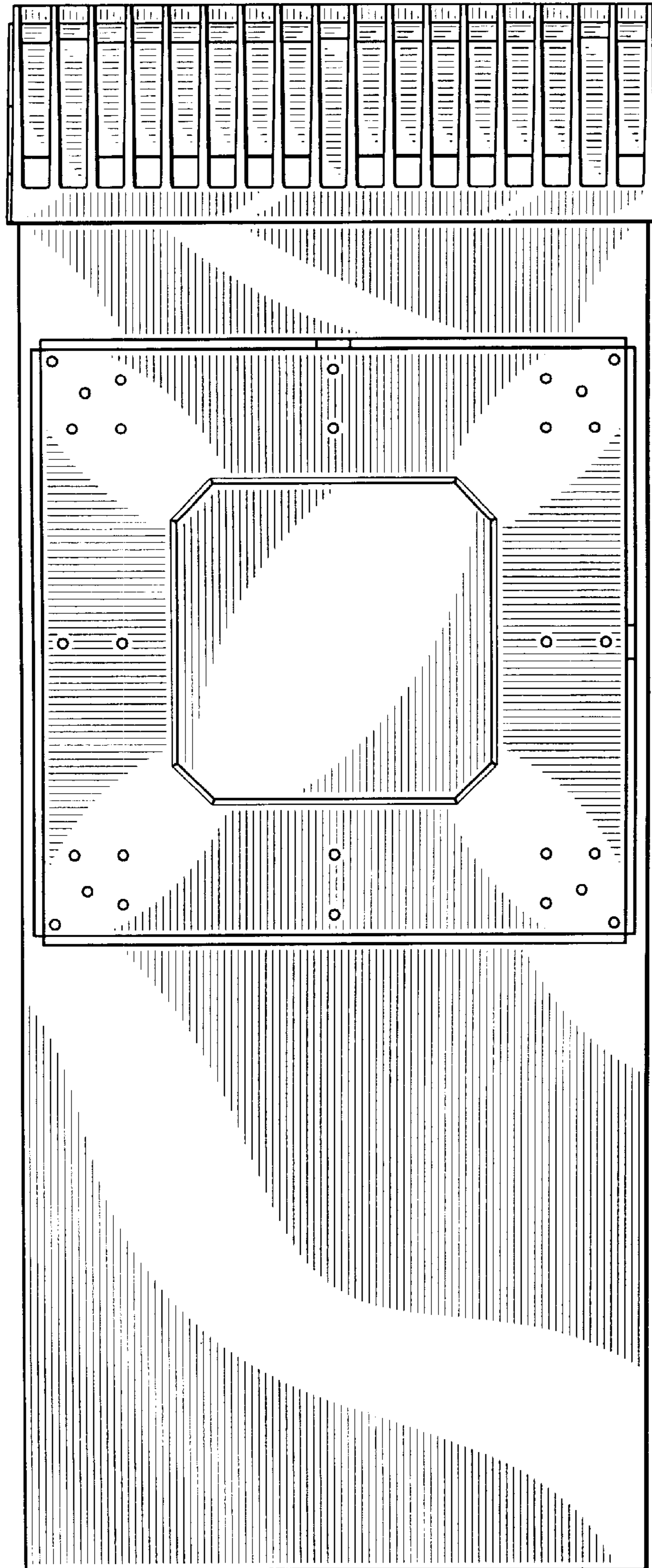


FIG. 3

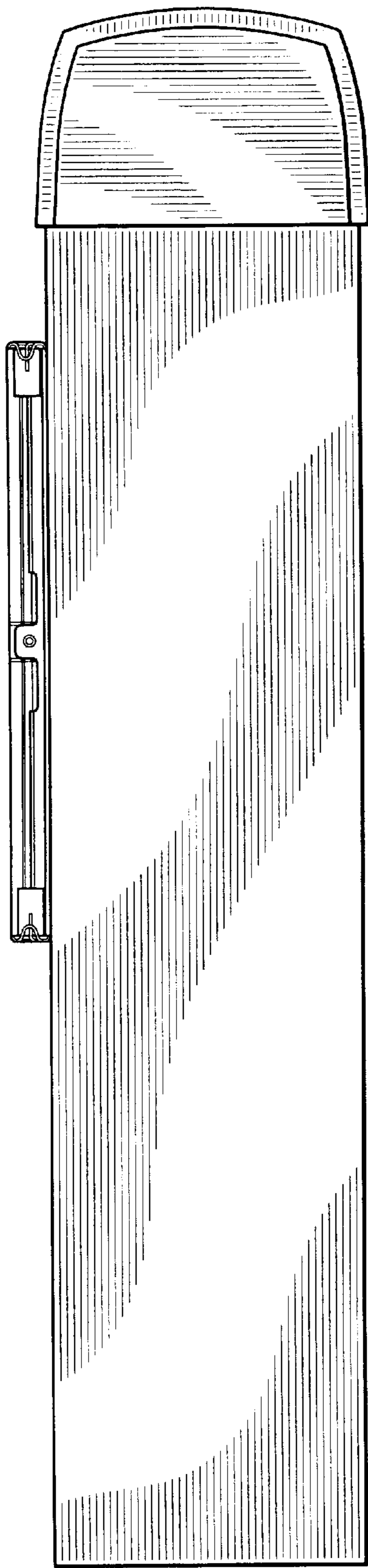


FIG. 4

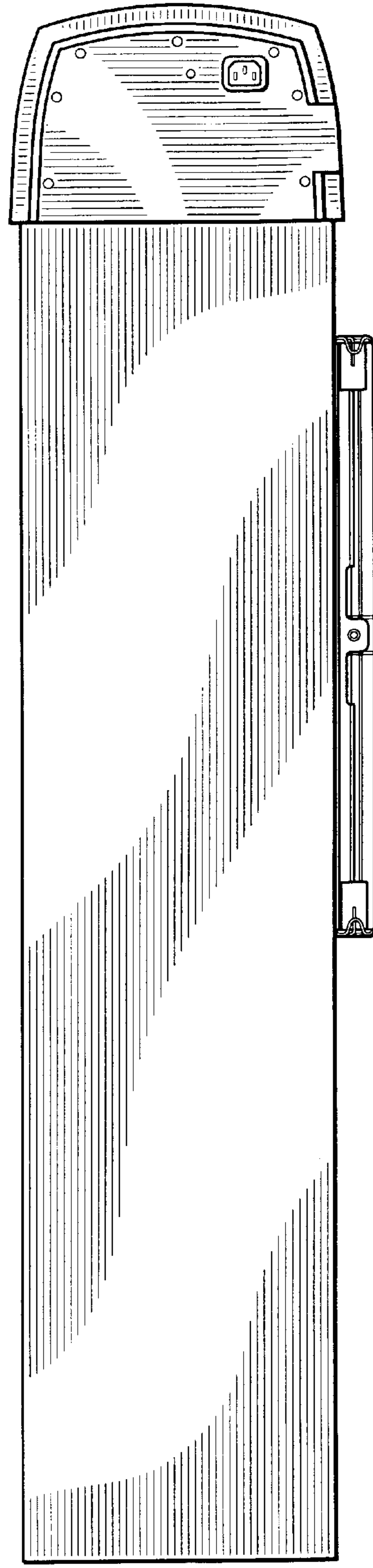


FIG. 5

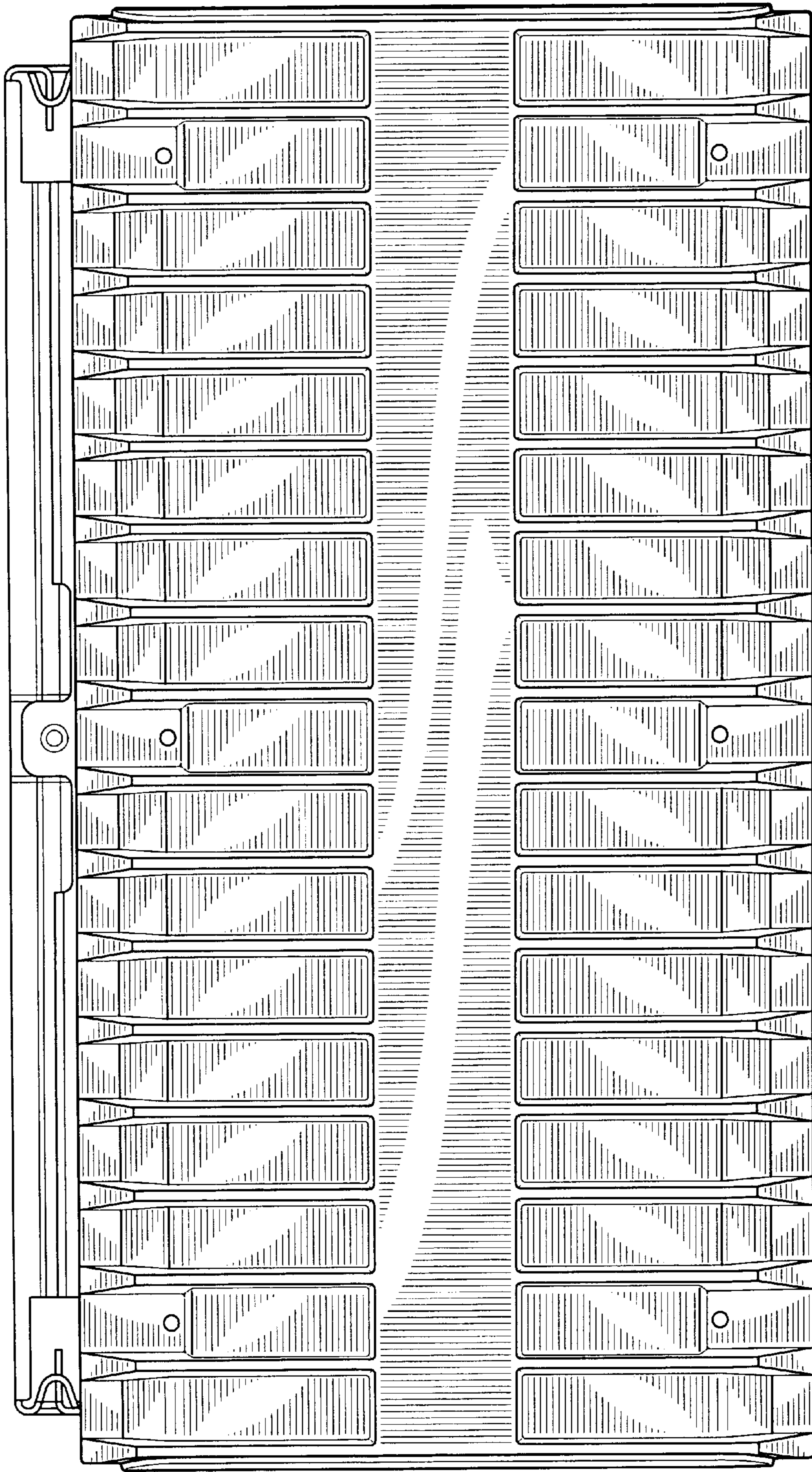


FIG. 6

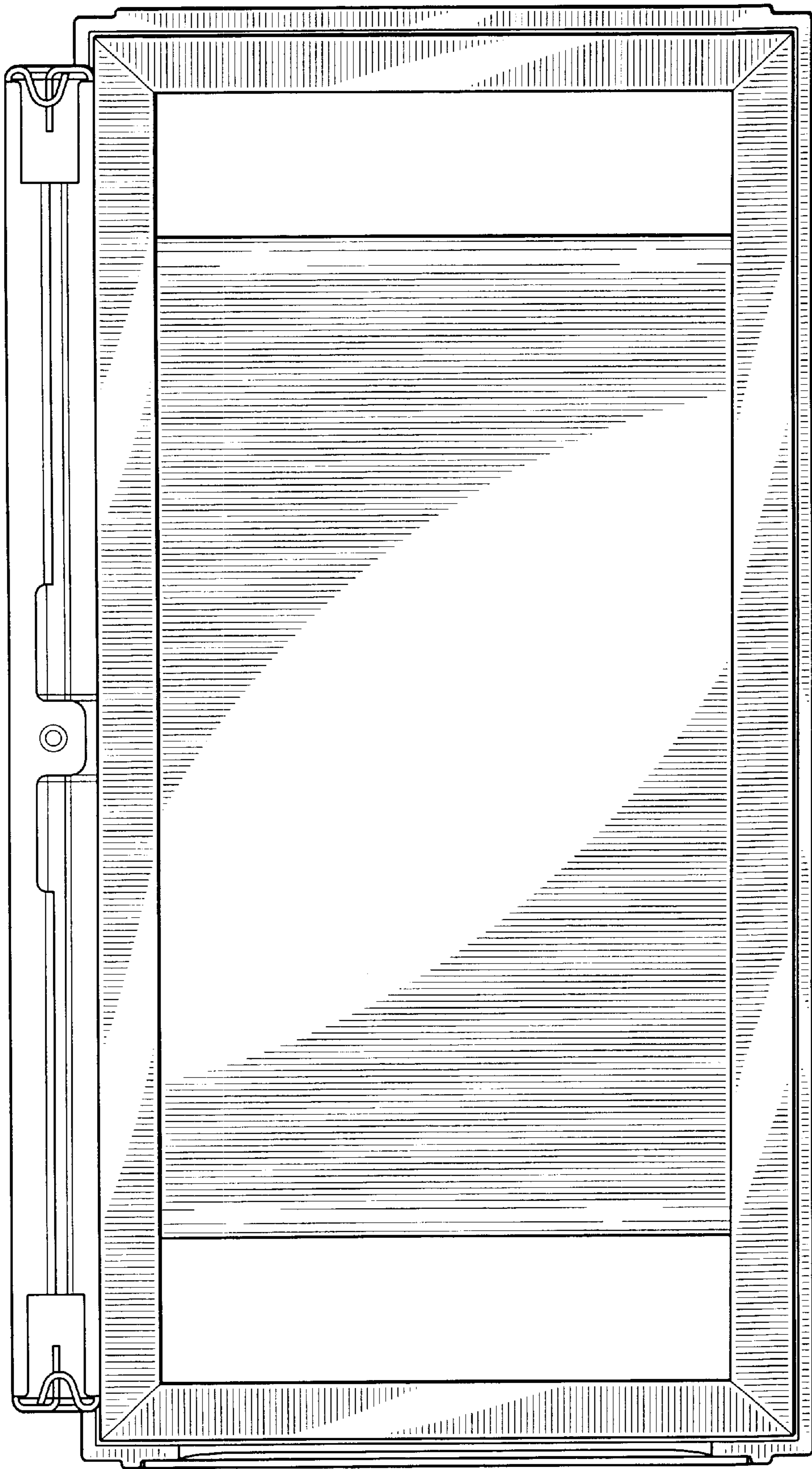


FIG. 7