



US00D473210S

(12) **United States Design Patent**
Solland

(10) **Patent No.:** **US D473,210 S**

(45) **Date of Patent:** **** Apr. 15, 2003**

(54) **AUDIO RECEIVER**

(75) **Inventor:** **Kurt Solland**, Westlake Village, CA (US)

(73) **Assignee:** **Harman International Industries, Inc.**, Northridge, CA (US)

(**) **Term:** **14 Years**

(21) **Appl. No.:** **29/163,037**

(22) **Filed:** **Jun. 27, 2002**

(51) **LOC (7) Cl.** **14-03**

(52) **U.S. Cl.** **D14/188**

(58) **Field of Search** D14/168-171,
D14/188, 189, 193-198; D10/2, 15; 455/344,
347, 350, 351

(56) **References Cited**

U.S. PATENT DOCUMENTS

D150,660 S	*	8/1948	Setchell	D14/198
2,510,103 A		6/1950	Griffin		
D204,494 S		4/1966	Adams		
D216,649 S	*	2/1970	Ohwada et al.	D14/198
D249,148 S		8/1978	Miyamoto		

D249,651 S		9/1978	Hirosawa		
D381,983 S	*	8/1997	Nagal	D14/168
D407,405 S	*	3/1999	Chiu	D14/194
D419,558 S		1/2000	Bhavnani		
D428,612 S	*	7/2000	Scorrano	D14/194
D440,957 S		4/2001	Grinkus		
D443,602 S	*	6/2001	Scorrano	D14/194

* cited by examiner

Primary Examiner—Prabhakar Deshmukh

(74) *Attorney, Agent, or Firm*—Banner & Witcoff, Ltd.

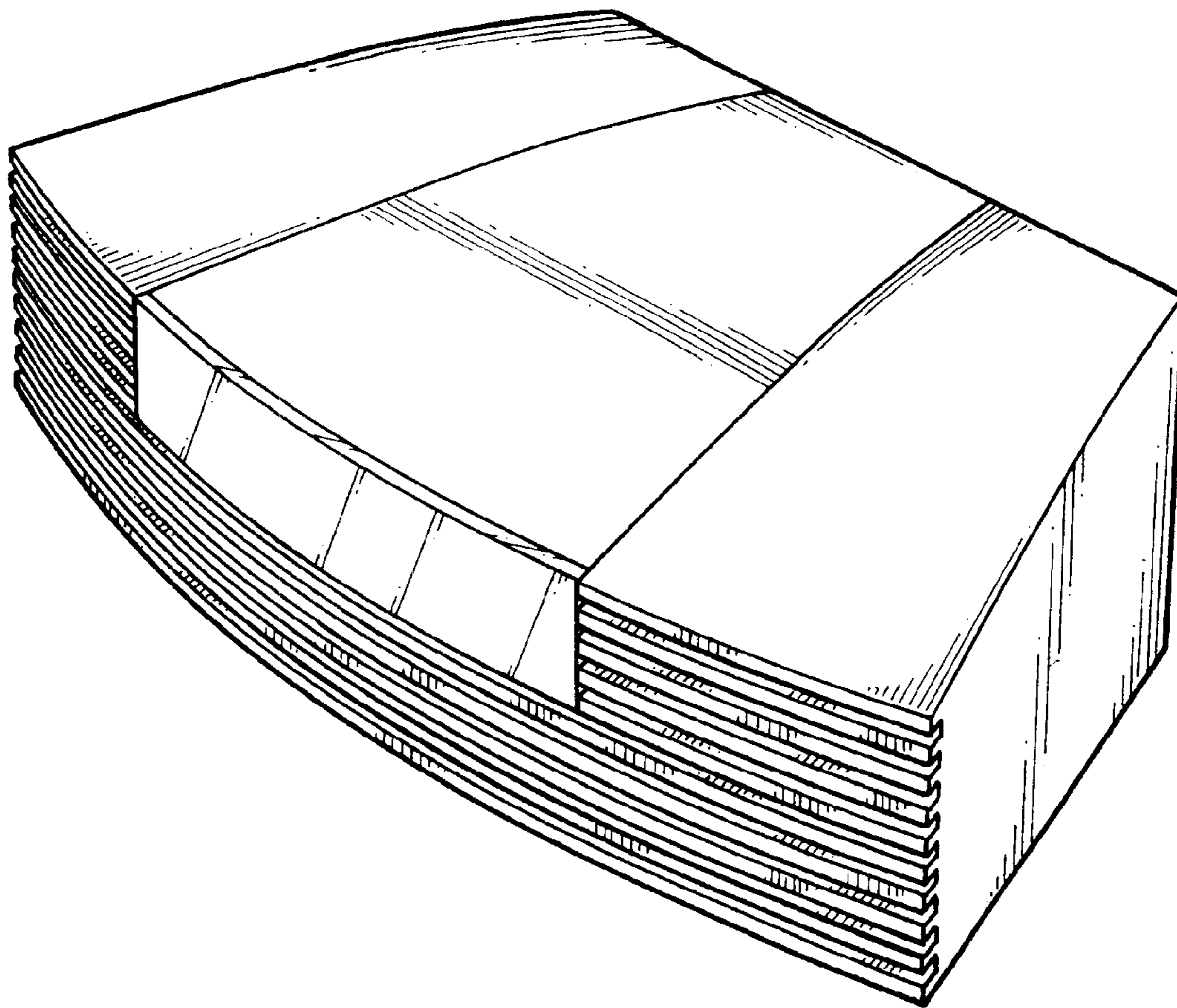
(57) **CLAIM**

The ornamental design for an audio receiver, as shown and described.

DESCRIPTION

FIG. 1 is a perspective view of an audio receiver showing my new design;
FIG. 2 is a top plan view thereof;
FIG. 3 is a side elevational view thereof, the opposite side elevational view being substantially a mirror image thereof;
FIG. 4 is a front elevational view thereof; and,
FIG. 5 is a rear elevational view thereof.

1 Claim, 2 Drawing Sheets



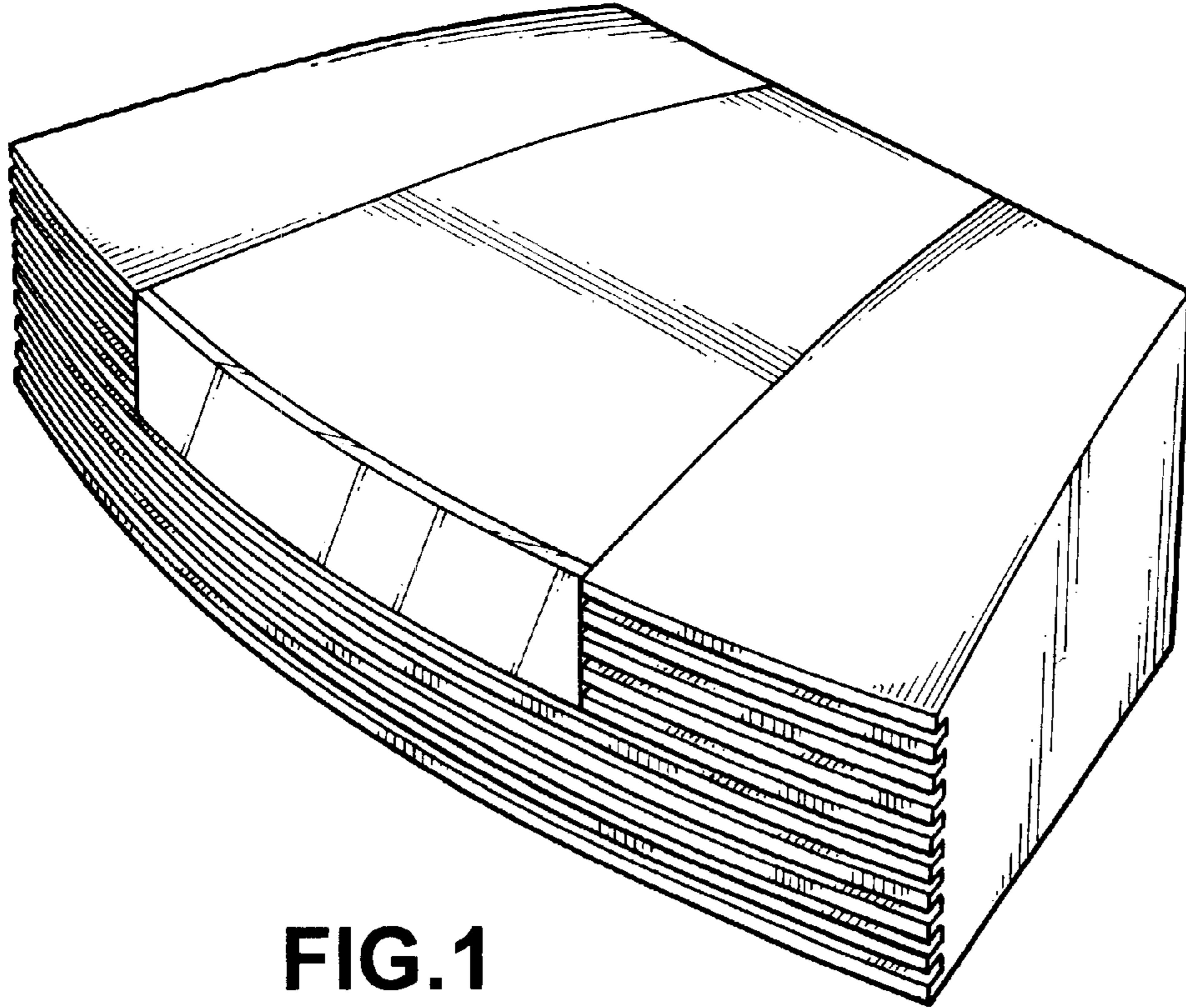


FIG. 1

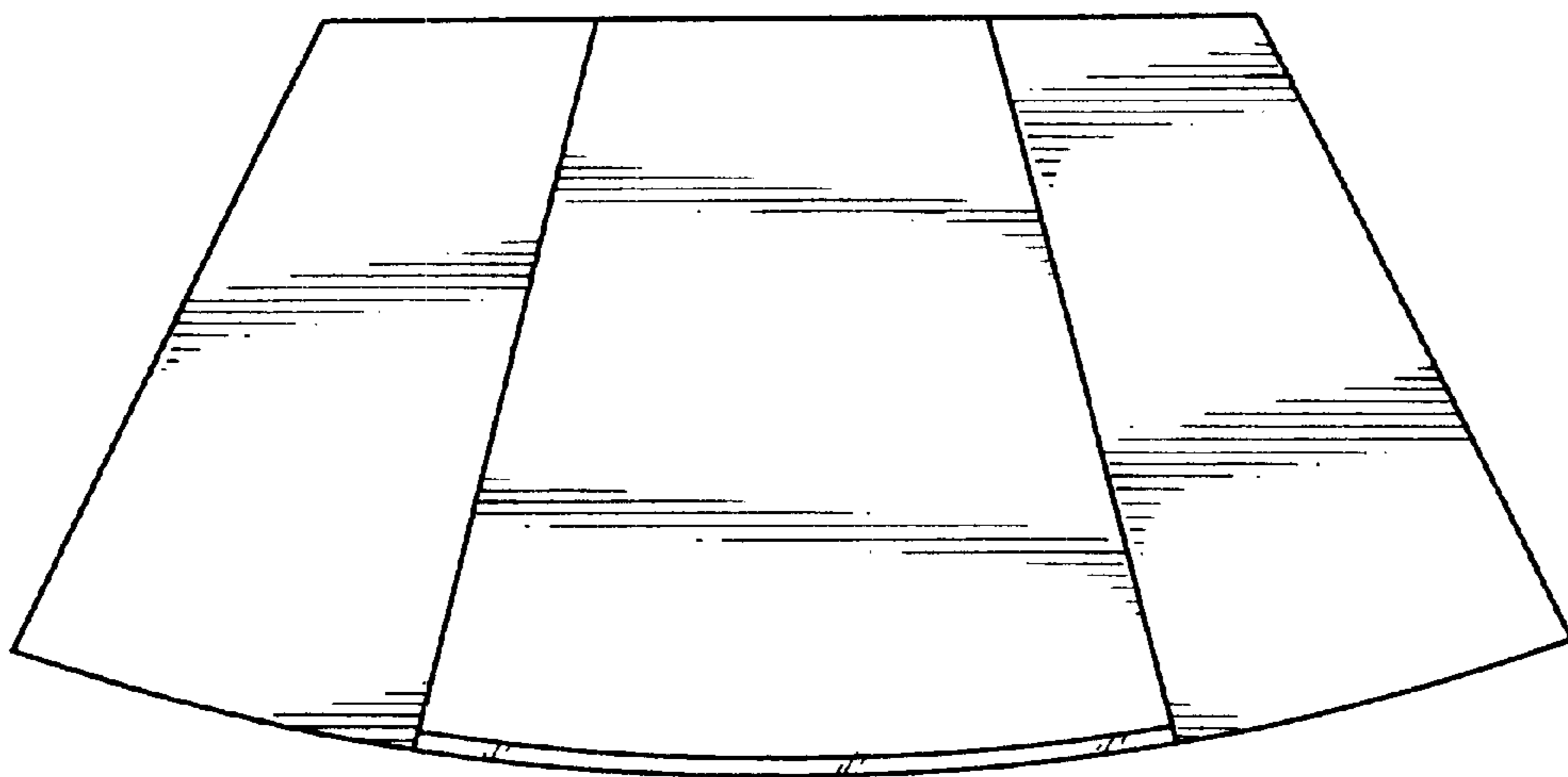


FIG. 2

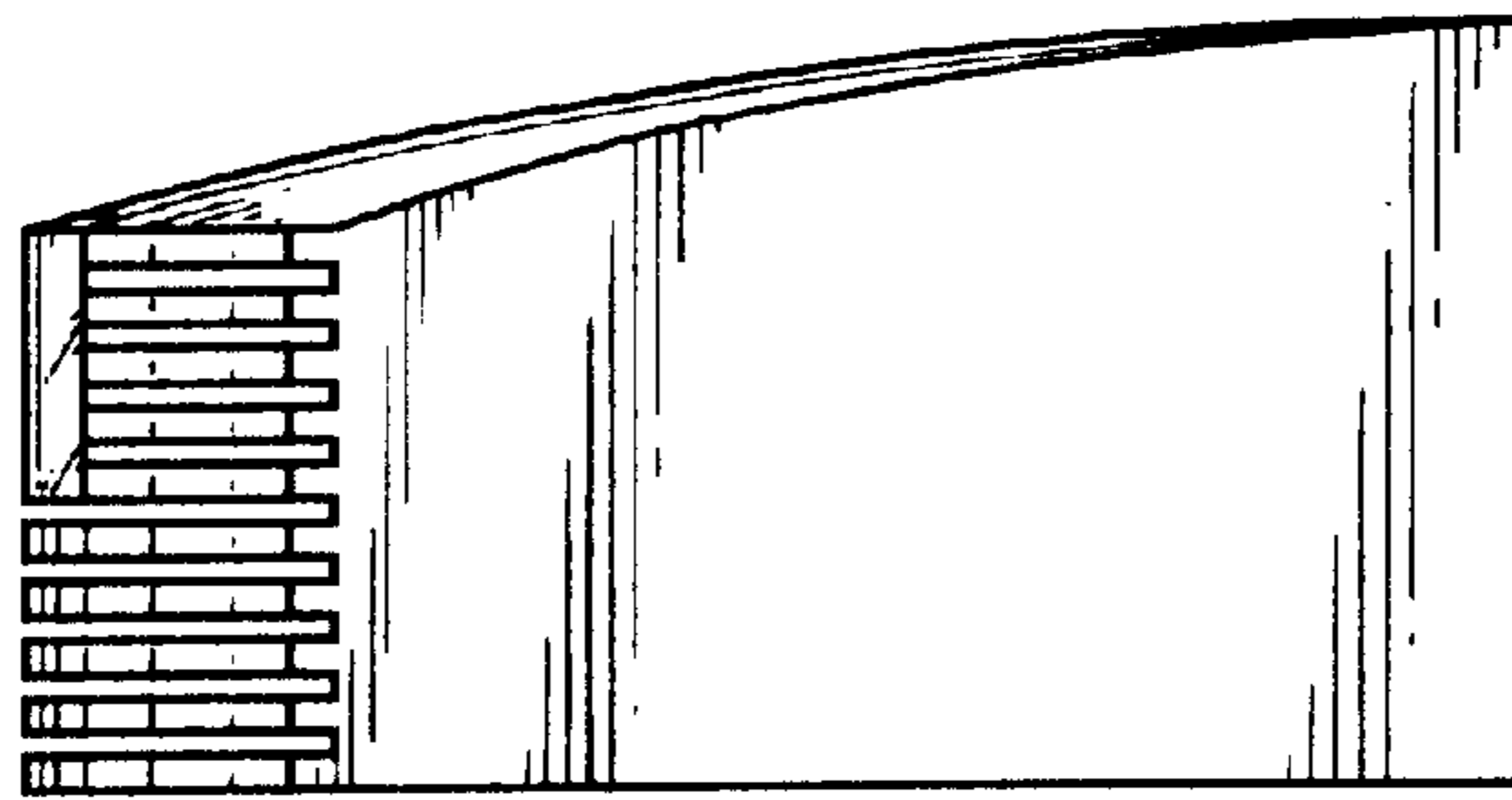


FIG.3

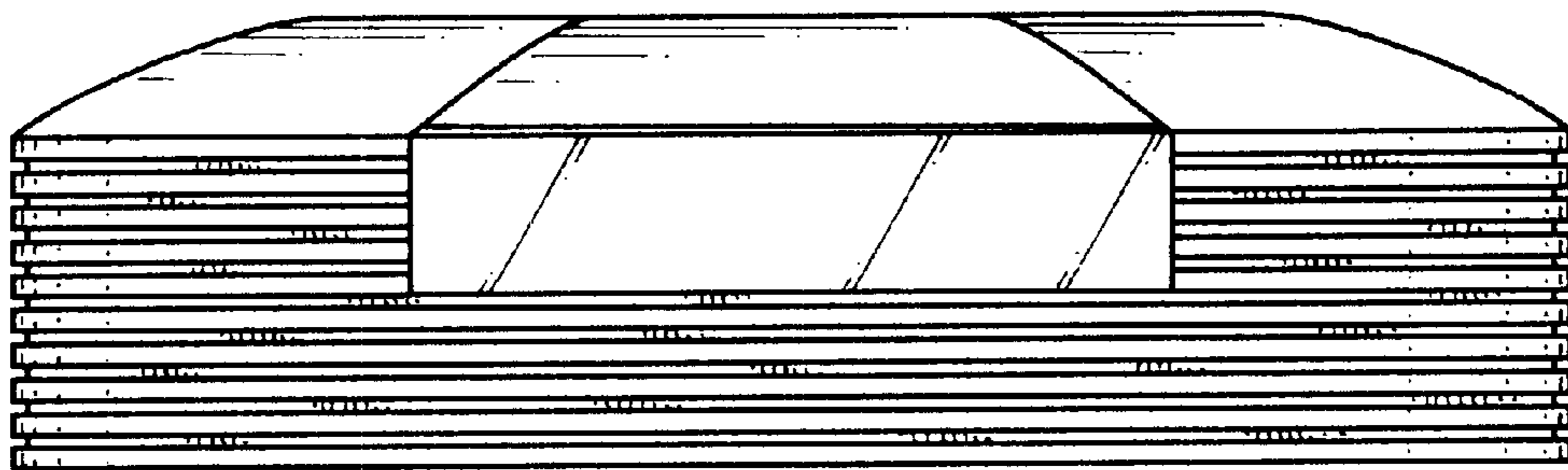


FIG.4

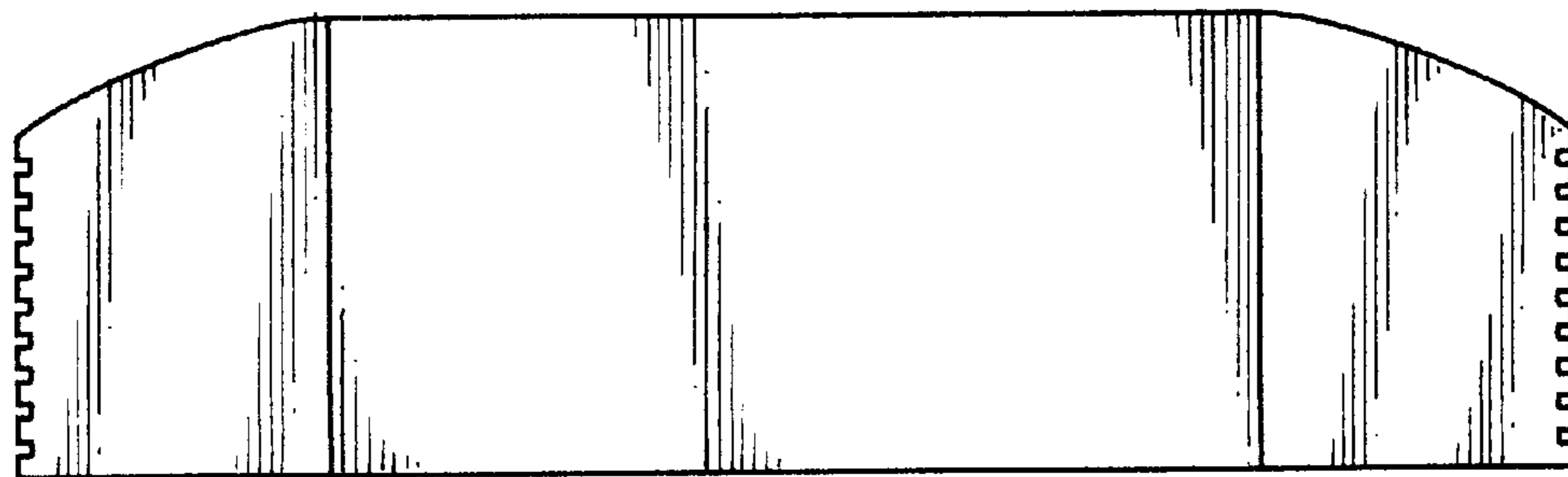


FIG.5