



US00D473207S

(12) **United States Design Patent**
Tanio

(10) **Patent No.:** **US D473,207 S**

(45) **Date of Patent:** **** Apr. 15, 2003**

(54) **VOICE RECORDER AND PLAYER HAVING DIGITAL CAMERA**

(75) Inventor: **Satoru Tanio**, Hachioji (JP)

(73) Assignee: **Olympus Optical Co., Ltd.**, Tokyo (JP)

(**) Term: **14 Years**

(21) Appl. No.: **29/159,623**

(22) Filed: **Apr. 24, 2002**

(30) **Foreign Application Priority Data**

Nov. 9, 2001 (JP) 2001-033066

(51) **LOC (7) Cl.** **14-01**

(52) **U.S. Cl.** **D14/168; D14/167; D16/208**

(58) **Field of Search** D14/156-157, D14/160-165, 167-168, 188-189, 217-218, 299, 496; D16/202, 208; 312/7.1; 369/75.1, 75.2, 77.1, 77.2; 455/344, 347-351

(56) **References Cited**

U.S. PATENT DOCUMENTS

D412,003 S * 7/1999 Sumida et al. D16/202

D426,223 S * 6/2000 Nomura D14/167
D436,941 S * 1/2001 Kataoka D14/165
D445,776 S * 7/2001 Ishii et al. D14/167
D448,785 S * 10/2001 Chou D16/202

* cited by examiner

Primary Examiner—Nanda Bondade

(74) *Attorney, Agent, or Firm*—Hogan & Hartson, LLP

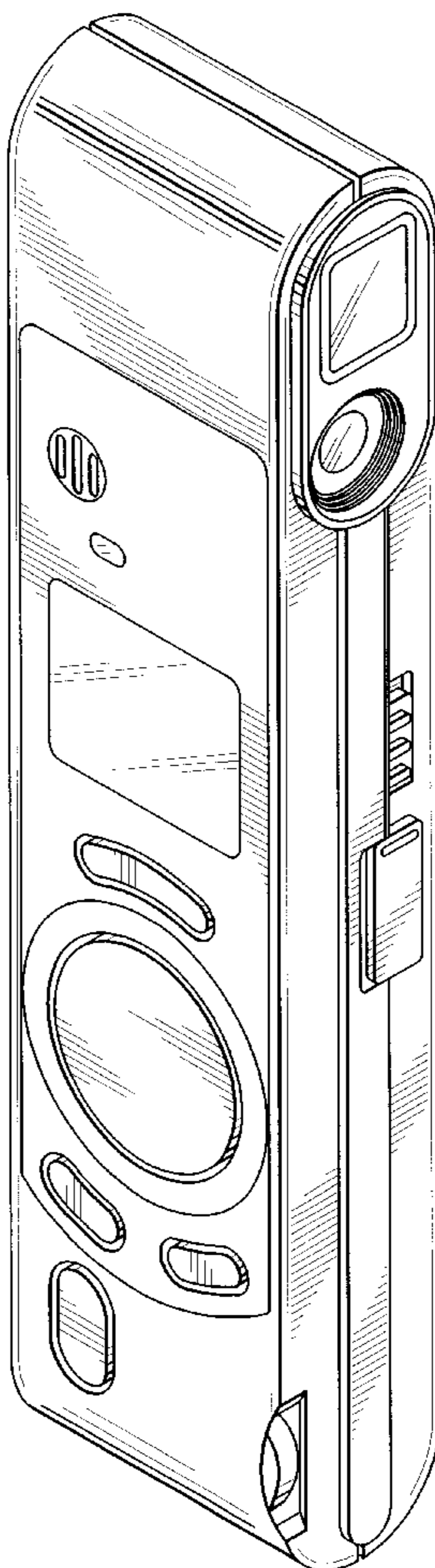
(57) **CLAIM**

The design for voice recorder and player having digital camera, substantially as shown and described.

DESCRIPTION

FIG. 1 is a front view.
FIG. 2 is a left side view.
FIG. 3 is a right side view.
FIG. 4 is a top plan view.
FIG. 5 is a bottom plan view.
FIG. 6 is a rear view; and,
FIG. 7 is a right, top, front perspective view.

1 Claim, 6 Drawing Sheets



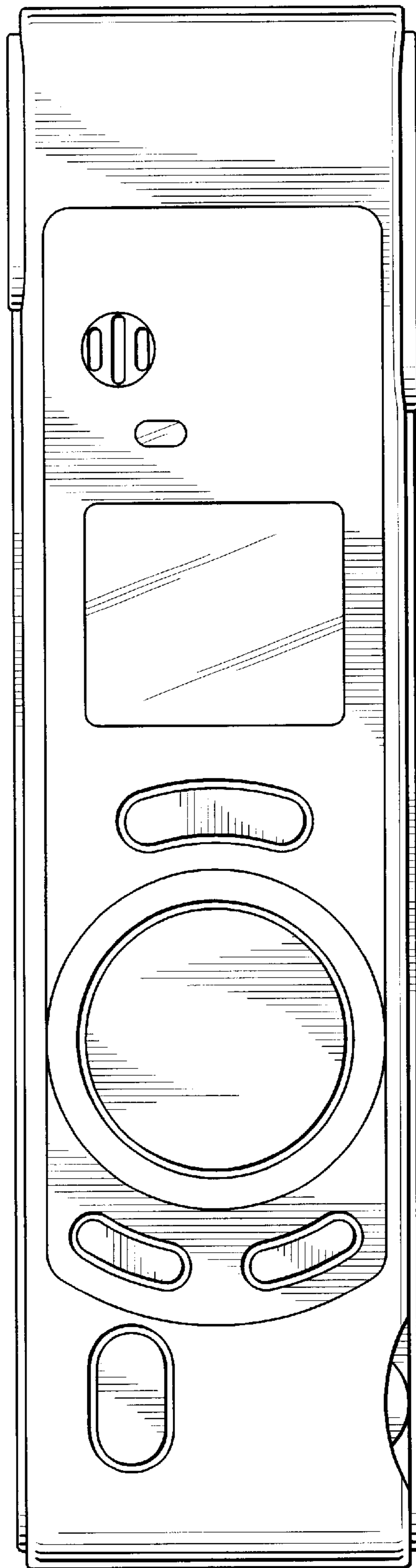


FIG. 1

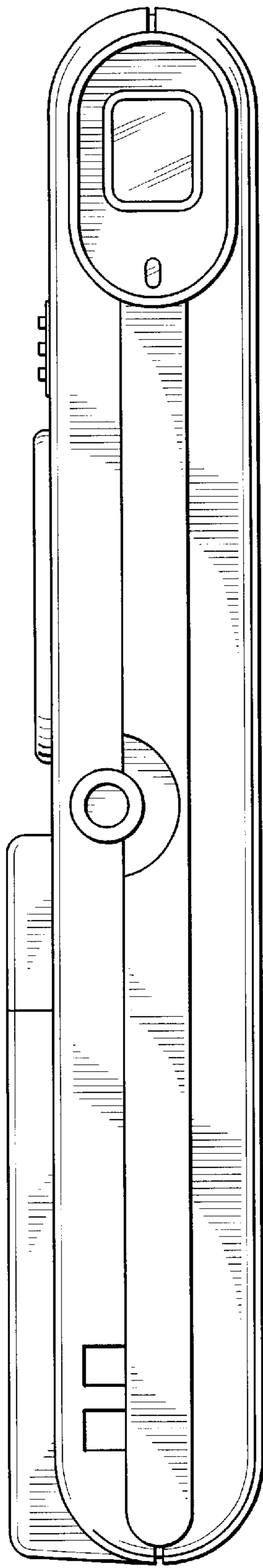


FIG. 2

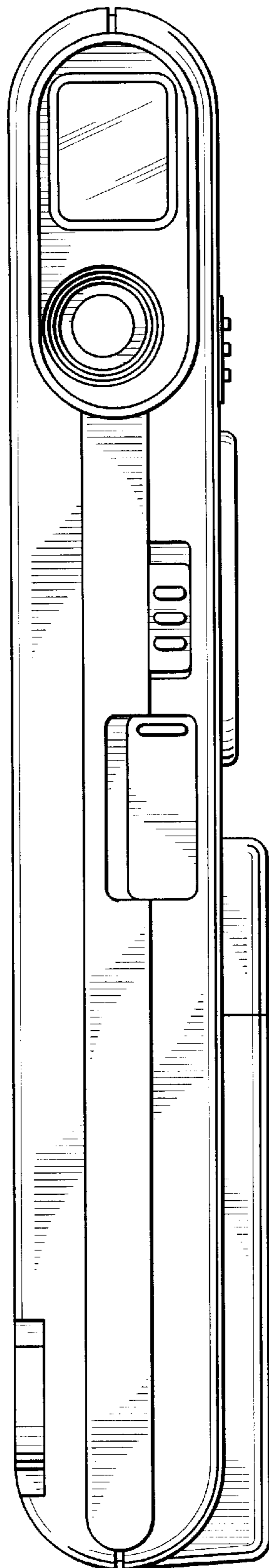


FIG. 3

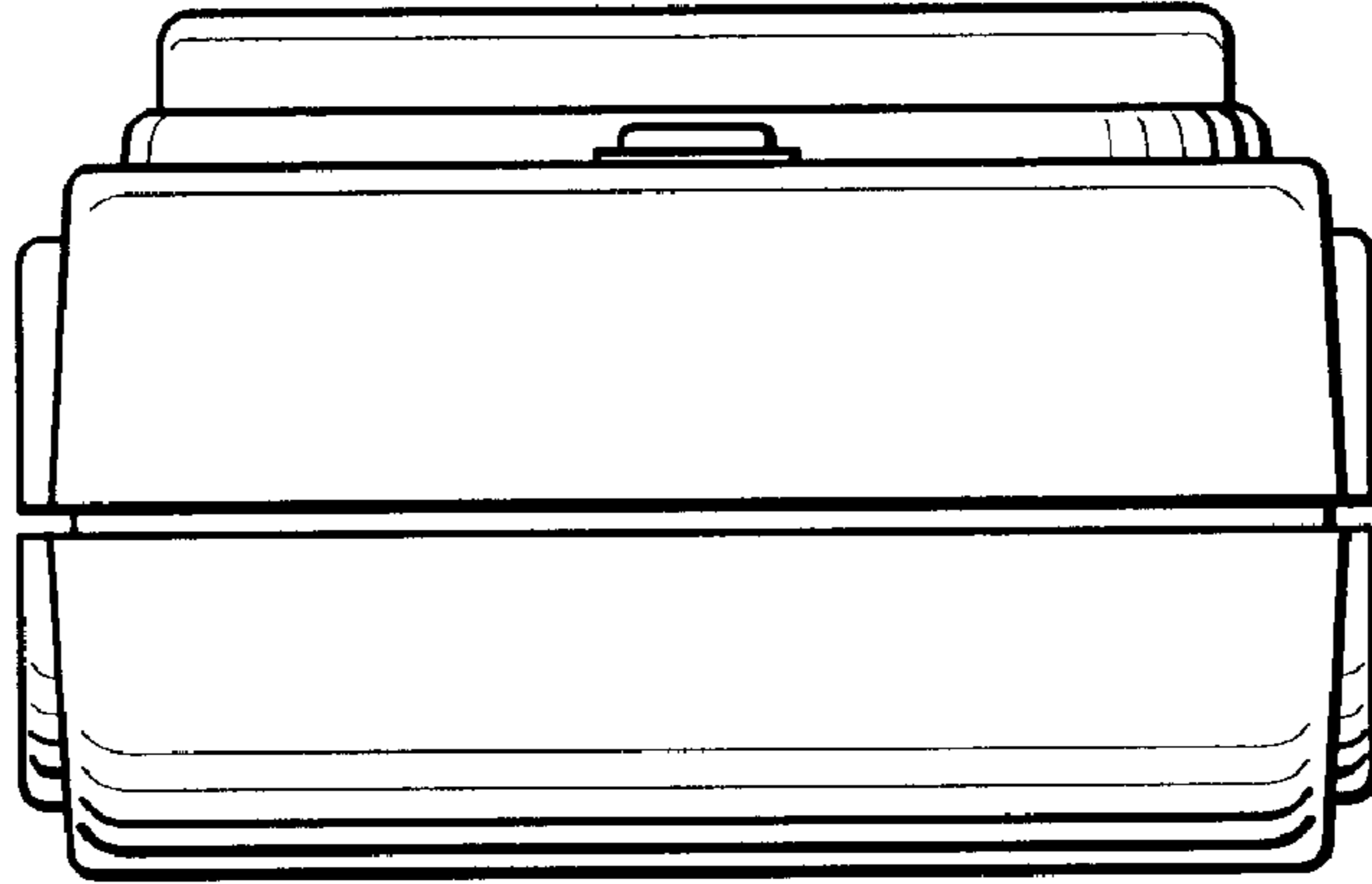


FIG. 4

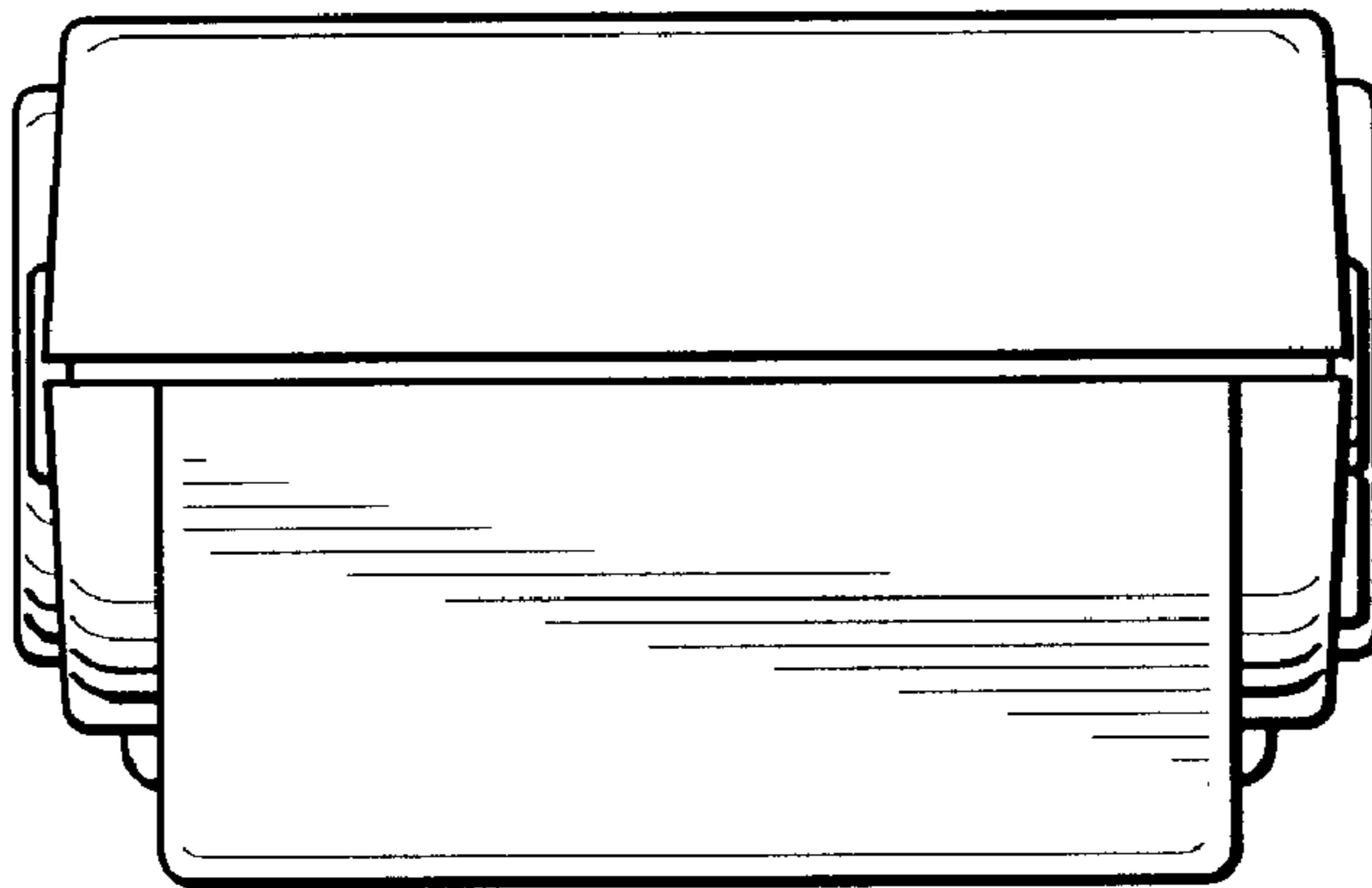


FIG. 5

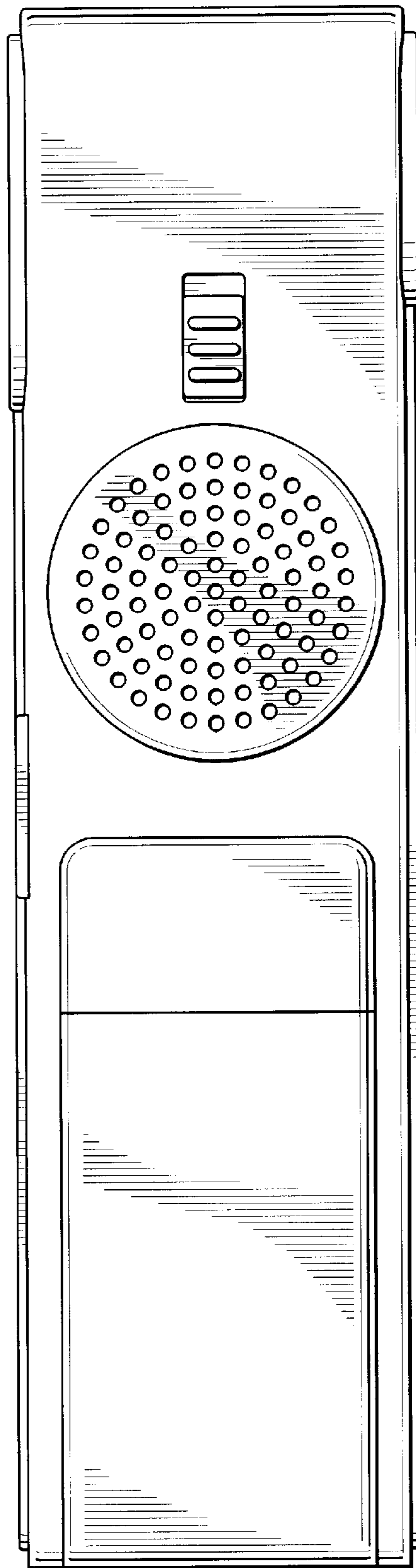


FIG. 6

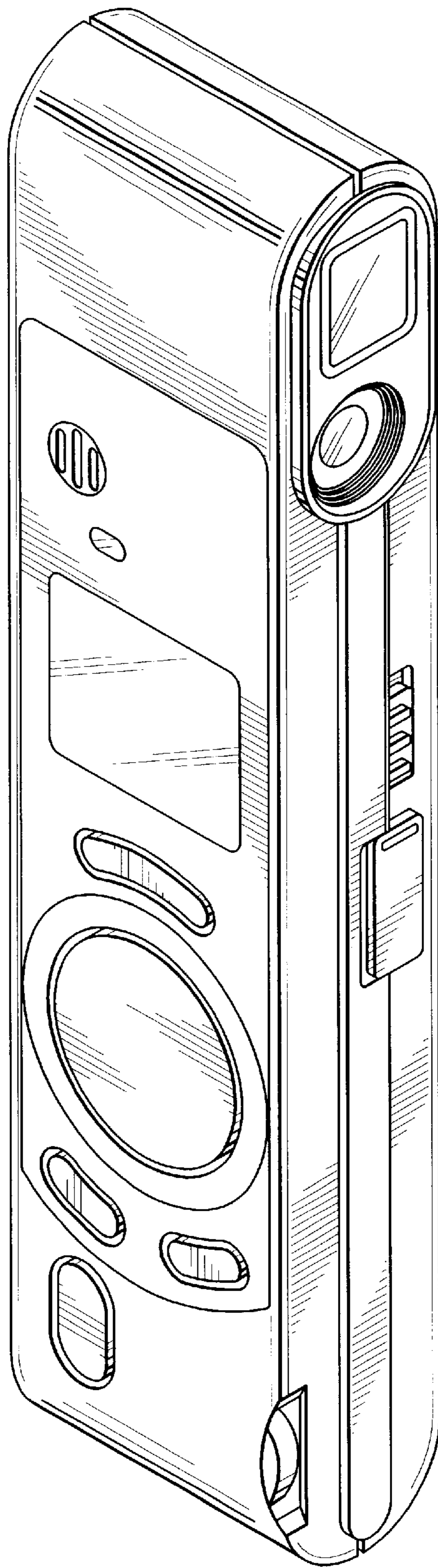


FIG. 7