



US00D473202S

(12) **United States Design Patent**  
**Ishibashi**

(10) **Patent No.:** **US D473,202 S**

(45) **Date of Patent:** **\*\* Apr. 15, 2003**

(54) **DISC PLAYER**

D432,513 S 10/2000 Takahashi  
D438,519 S 3/2001 Hirano

(75) Inventor: **Yasuhiro Ishibashi**, Tokyo (JP)

(73) Assignee: **Sony Corporation**, Tokyo (JP)

(\*\*) Term: **14 Years**

(21) Appl. No.: **29/158,991**

(22) Filed: **Apr. 15, 2002**

(51) **LOC (7) Cl.** ..... **14-01**

(52) **U.S. Cl.** ..... **D14/156**

(58) **Field of Search** ..... D14/135-136,  
D14/156-157, 160-165, 167-168, 193-198,  
188; 369/75.1, 75.2, 77.1, 77.2; 381/86,  
120; 455/344, 346-351

(56) **References Cited**

**U.S. PATENT DOCUMENTS**

4,979,160	A	*	12/1990	Araki	.....	369/75.2
D321,689	S	*	11/1991	Yamakawa	.....	D14/188
5,301,178	A	*	4/1994	Okabe et al.	.....	369/77.1
D414,182	S		9/1999	Miyazaki		
D423,008	S	*	4/2000	Shintani	.....	D14/168
D432,111	S		10/2000	Takahashi		
D432,112	S		10/2000	Hisatsune		

**OTHER PUBLICATIONS**

Catalog, "Sony DVD Player, DVP-S9000ES, DVP-NS900V & DVP-S9000E", pp. 2, 12, Sony Corporation (Oct. 2001).

\* cited by examiner

*Primary Examiner*—Nanda Bondade

(74) *Attorney, Agent, or Firm*—Rader, Fishman & Grauer PLLC

(57) **CLAIM**

The ornamental design for a disc player, as shown.

**DESCRIPTION**

FIG. 1 is a perspective view of a disc player showing my new design;

FIG. 2 is a front elevational view thereof;

FIG. 3 is a rear elevational view thereof;

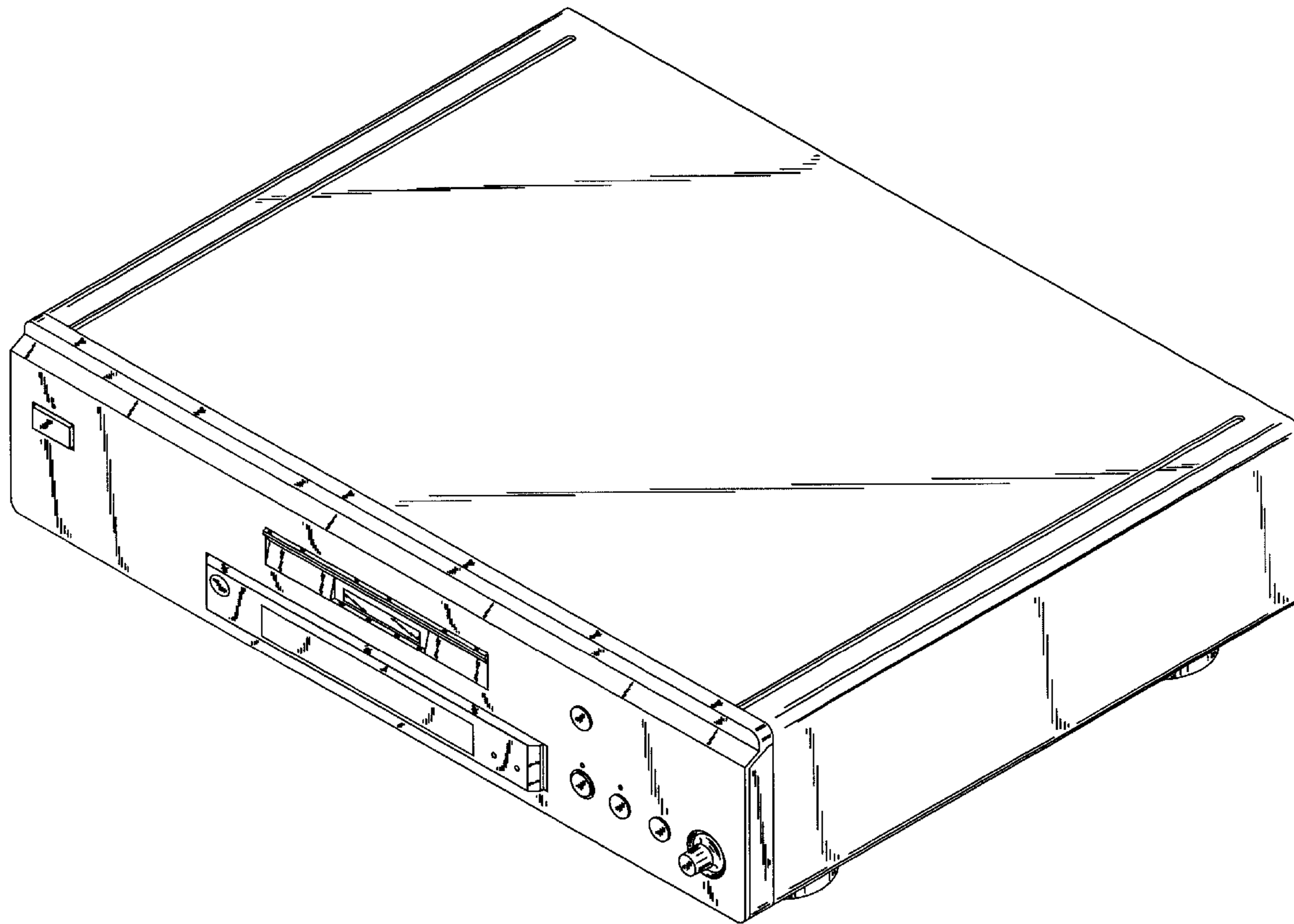
FIG. 4 is a left side elevational view thereof;

FIG. 5 is a right side elevational view thereof;

FIG. 6 is a top plan view thereof; and,

FIG. 7 is a bottom plan view thereof.

**1 Claim, 5 Drawing Sheets**



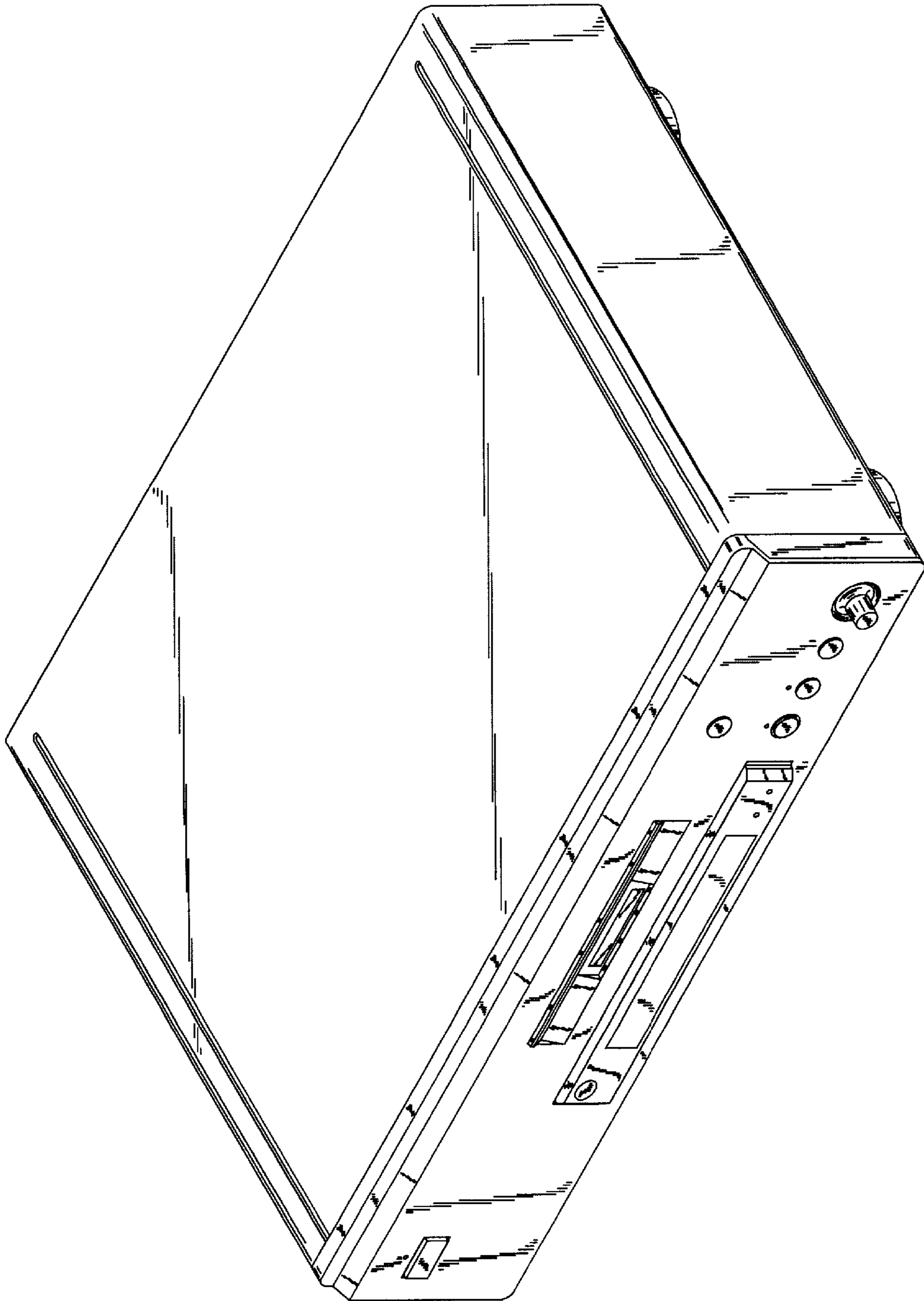


Fig. 1

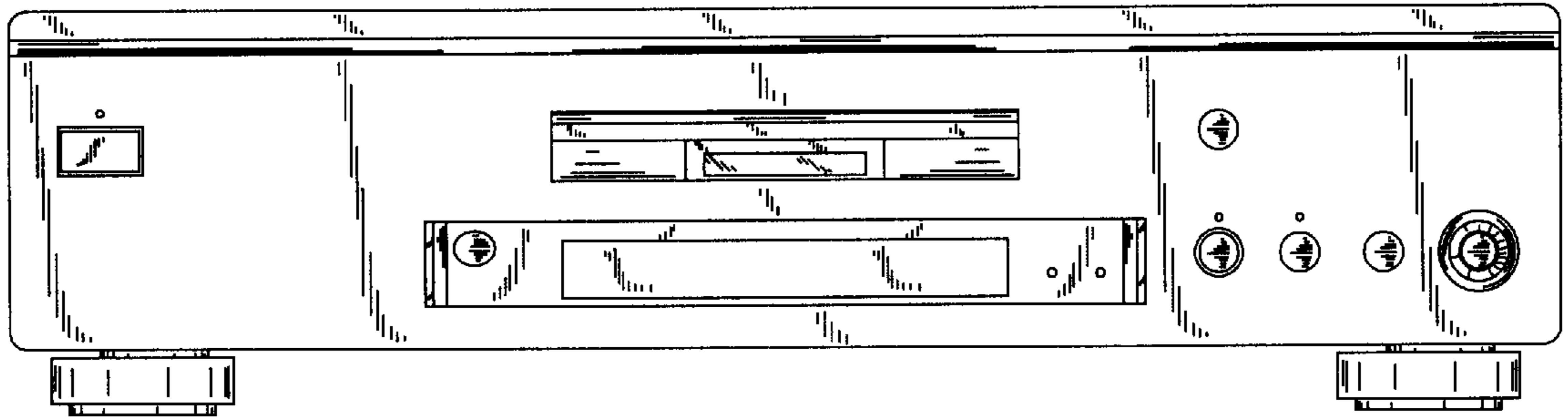


Fig. 2

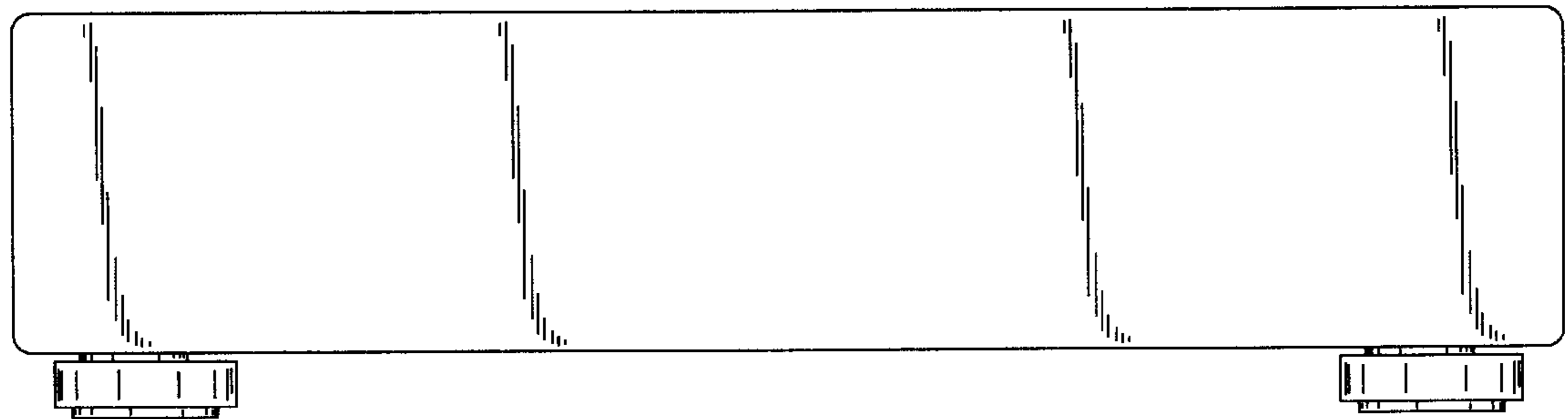
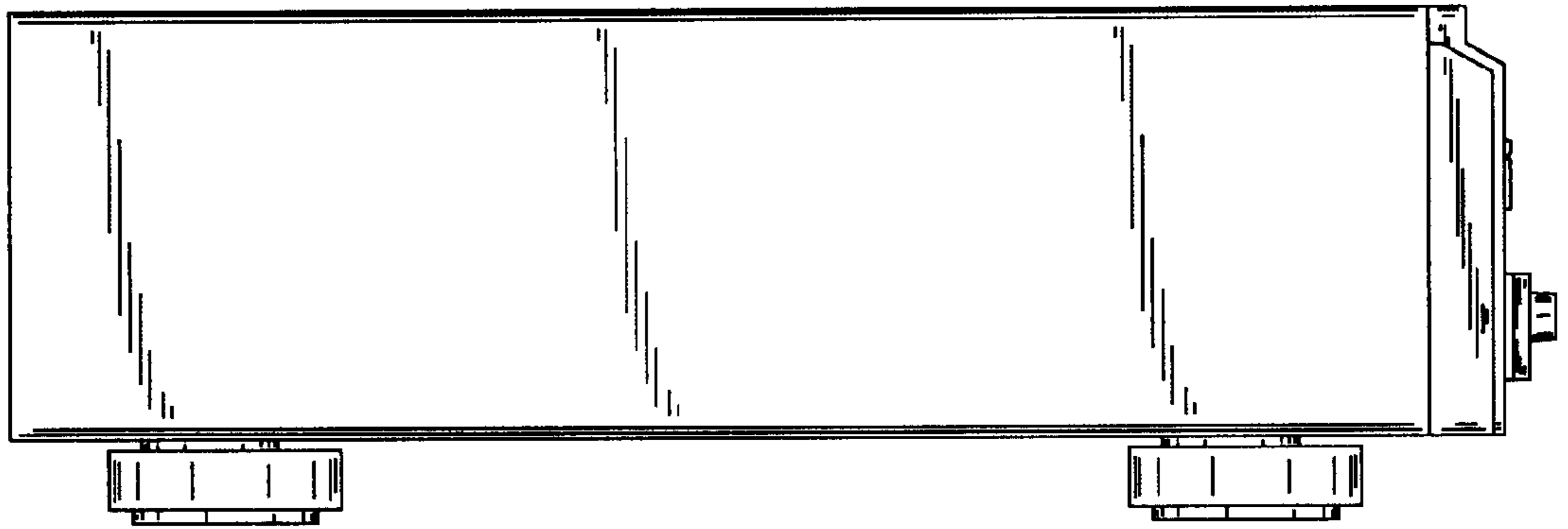
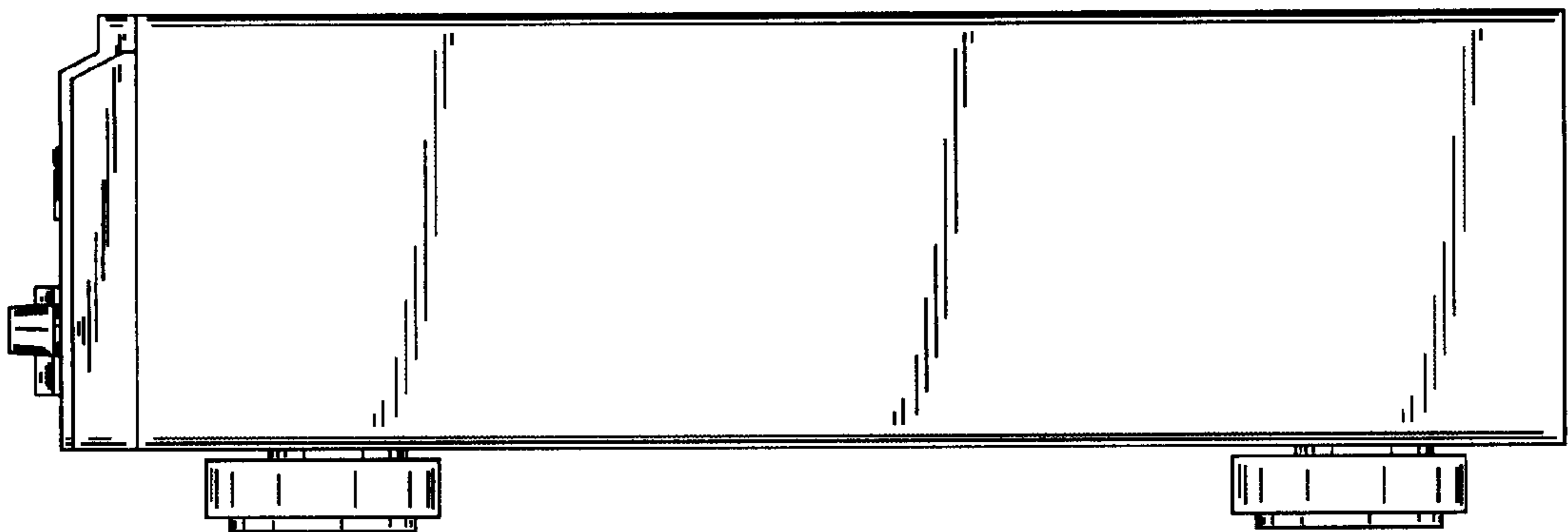


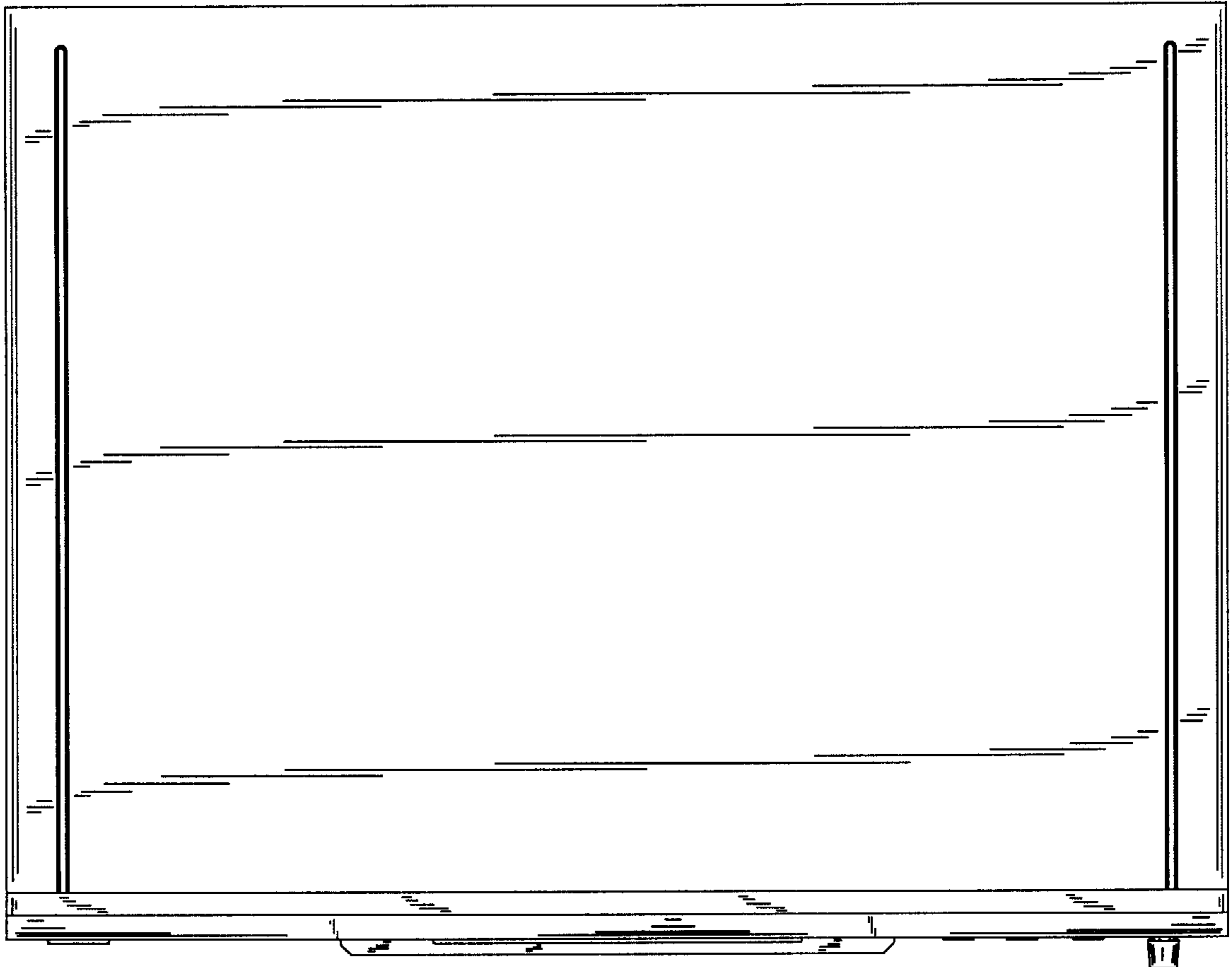
Fig. 3



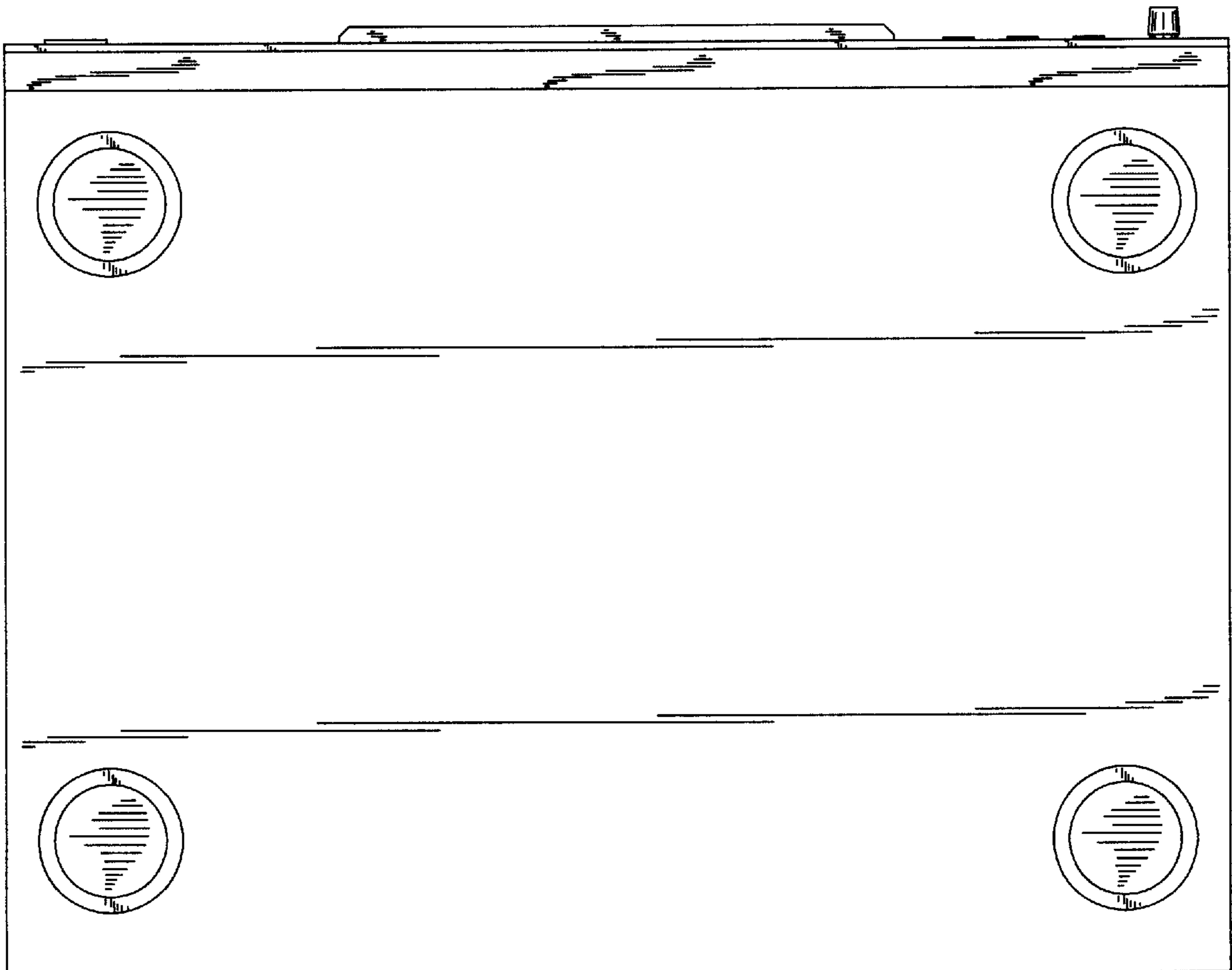
**Fig. 4**



**Fig. 5**



**Fig. 6**



**Fig. 7**