



US00D473200S

(12) **United States Design Patent**
Isshiki

(10) **Patent No.:** **US D473,200 S**

(45) **Date of Patent:** **** Apr. 15, 2003**

(54) **DIGITAL VIDEO RECORDER FOR MONITORING**

(75) Inventor: **Masao Isshiki, Yokohama (JP)**

(73) Assignee: **Kabushiki Kaisha Toshiba, Tokyo (JP)**

(**) Term: **14 Years**

(21) Appl. No.: **29/161,322**

(22) Filed: **May 29, 2002**

(51) **LOC (7) Cl.** **14-01**

(52) **U.S. Cl.** **D14/136**

(58) **Field of Search** D14/125, 135-136,
D14/156-157, 167-168, 188, 197-198,
239, 257-258, 265; 369/75.1, 75.2, 77.1,
77.2; 455/344, 347, 350-351

(56) **References Cited**

U.S. PATENT DOCUMENTS

D364,876 S	*	12/1995	Tokiyama	D14/258
5,859,828 A	*	1/1999	Ishibashi	369/75.1
D443,599 S	*	6/2001	Isono	D14/135

OTHER PUBLICATIONS

“KMECS catalog of Rackmount Chassis (ESOS-CHS-4201)”, Engineering Solution Oriented Systems, ial Rackmount, 1 page.

“Chenbro Micom catalog of Rackmount Case (RM41123)”, 4U Long System, 2 pages.

* cited by examiner

Primary Examiner—Nanda Bondade

(74) *Attorney, Agent, or Firm*—Oblon, Spivak, McClelland, Maier & Neustadt,P.C.

(57) **CLAIM**

The ornamental design for a digital video recorder for monitoring, as shown and described.

DESCRIPTION

FIG. 1 is a front, top and right side perspective view of a digital video recorder for monitoring, showing my new design;

FIG. 2 is a front elevational view thereof;

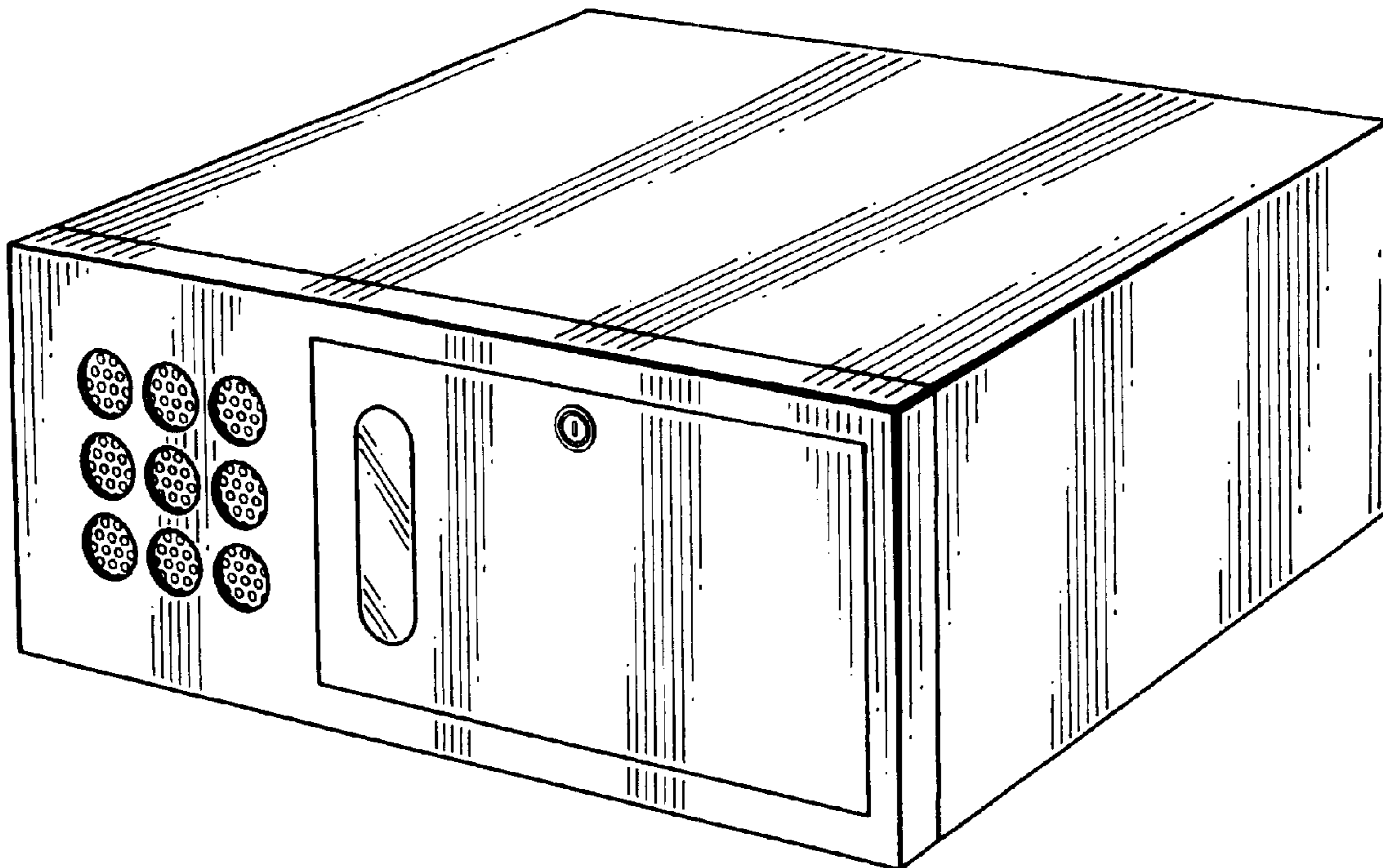
FIG. 3 is a right side elevational view thereof; a left side elevational view being a mirror image thereof;

FIG. 4 is a top plan view thereof; a bottom plan view being a mirror image thereof;

FIG. 5 is a rear elevational view thereof; and,

FIG. 6 is a front elevational view thereof with a cover removed, shown separately for clarity of illustration.

1 Claim, 2 Drawing Sheets



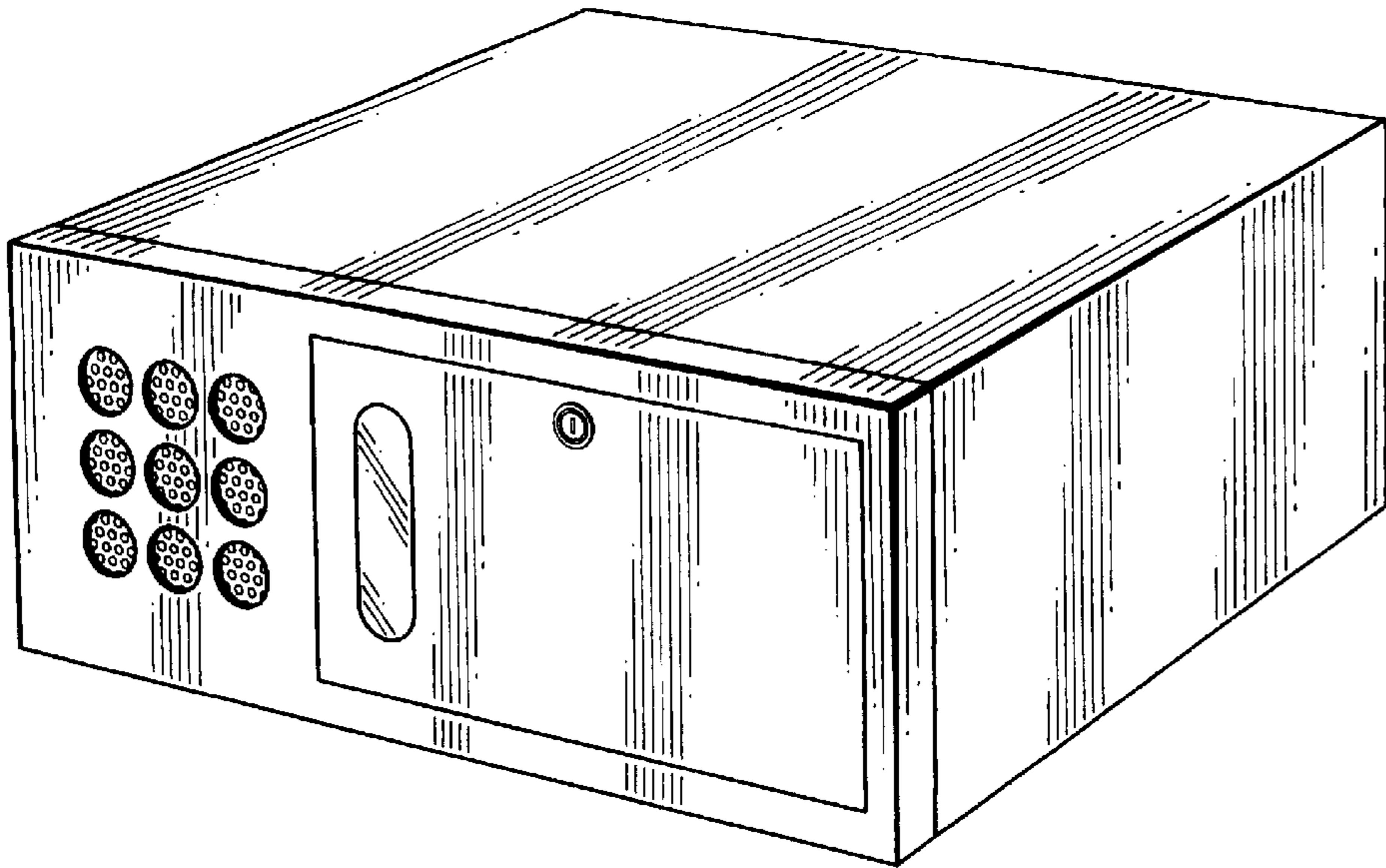


Fig. 1

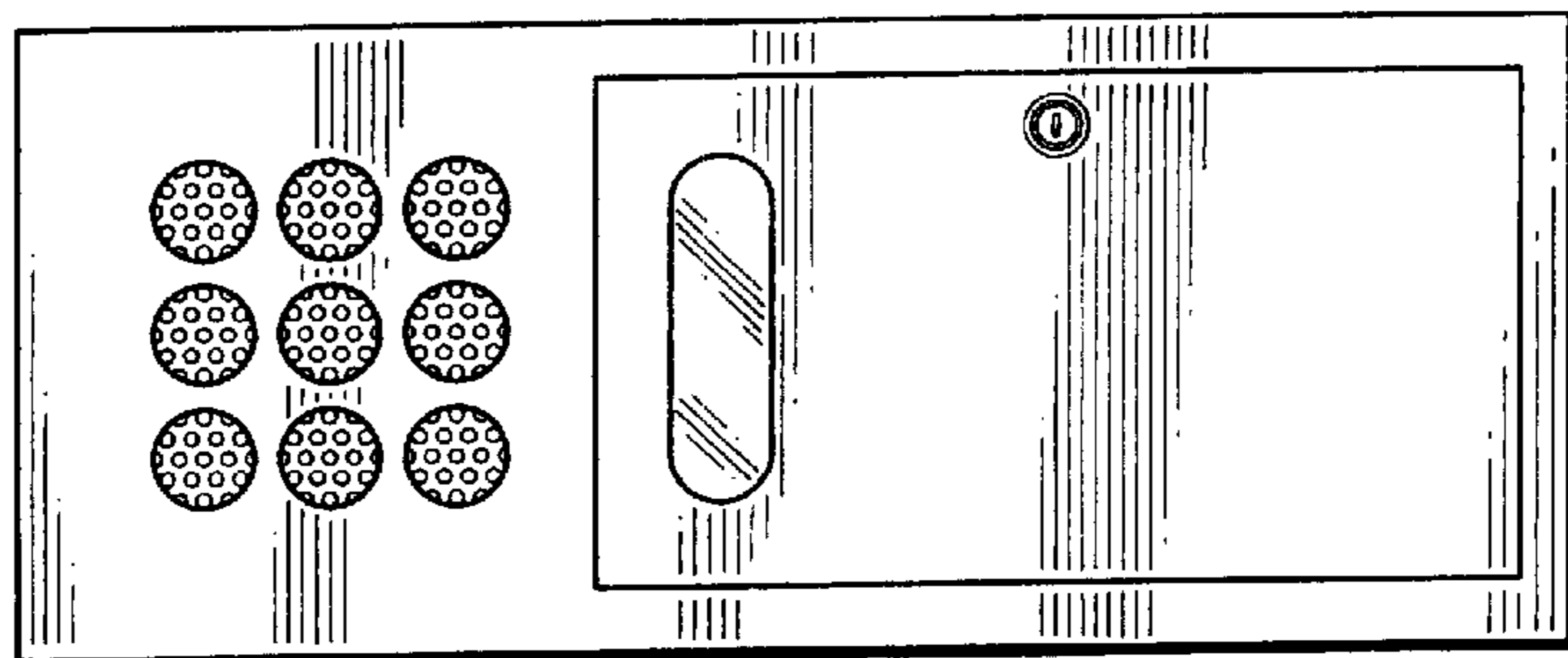


Fig. 2

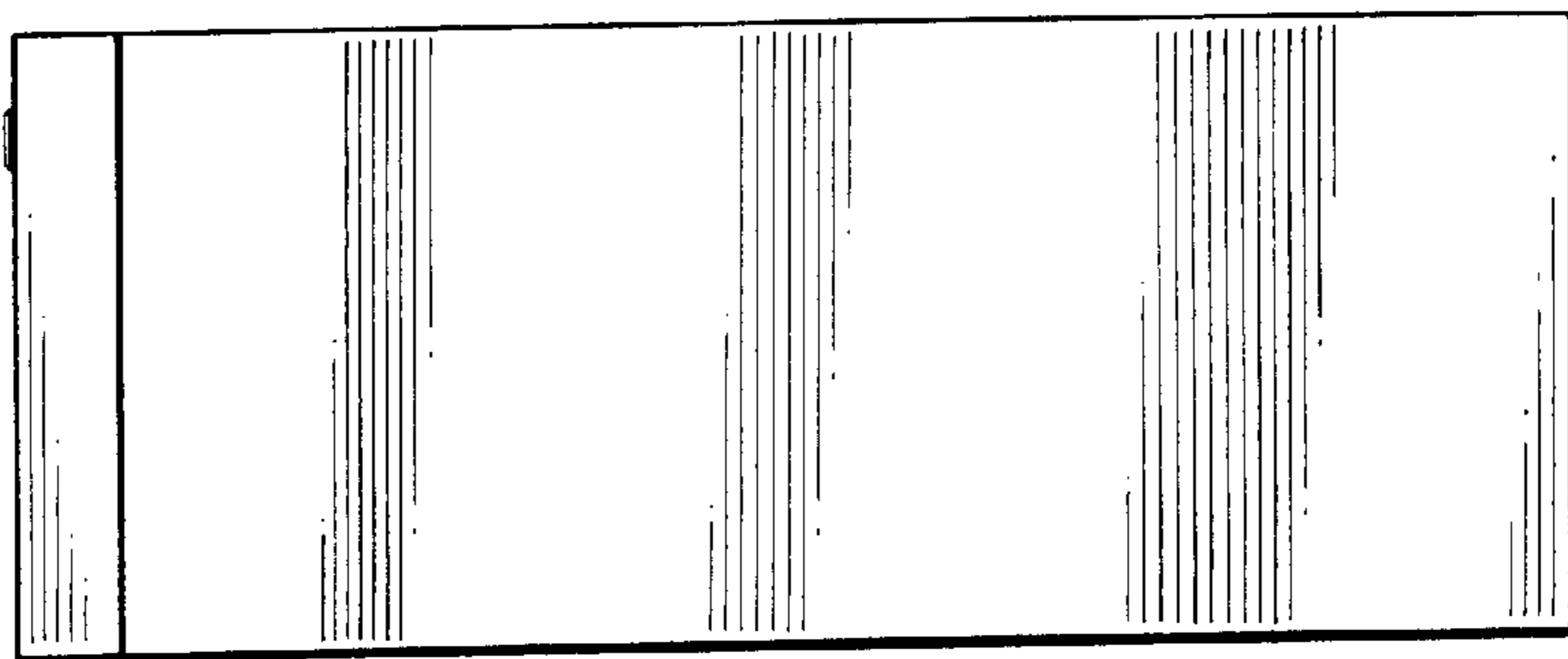


Fig. 3

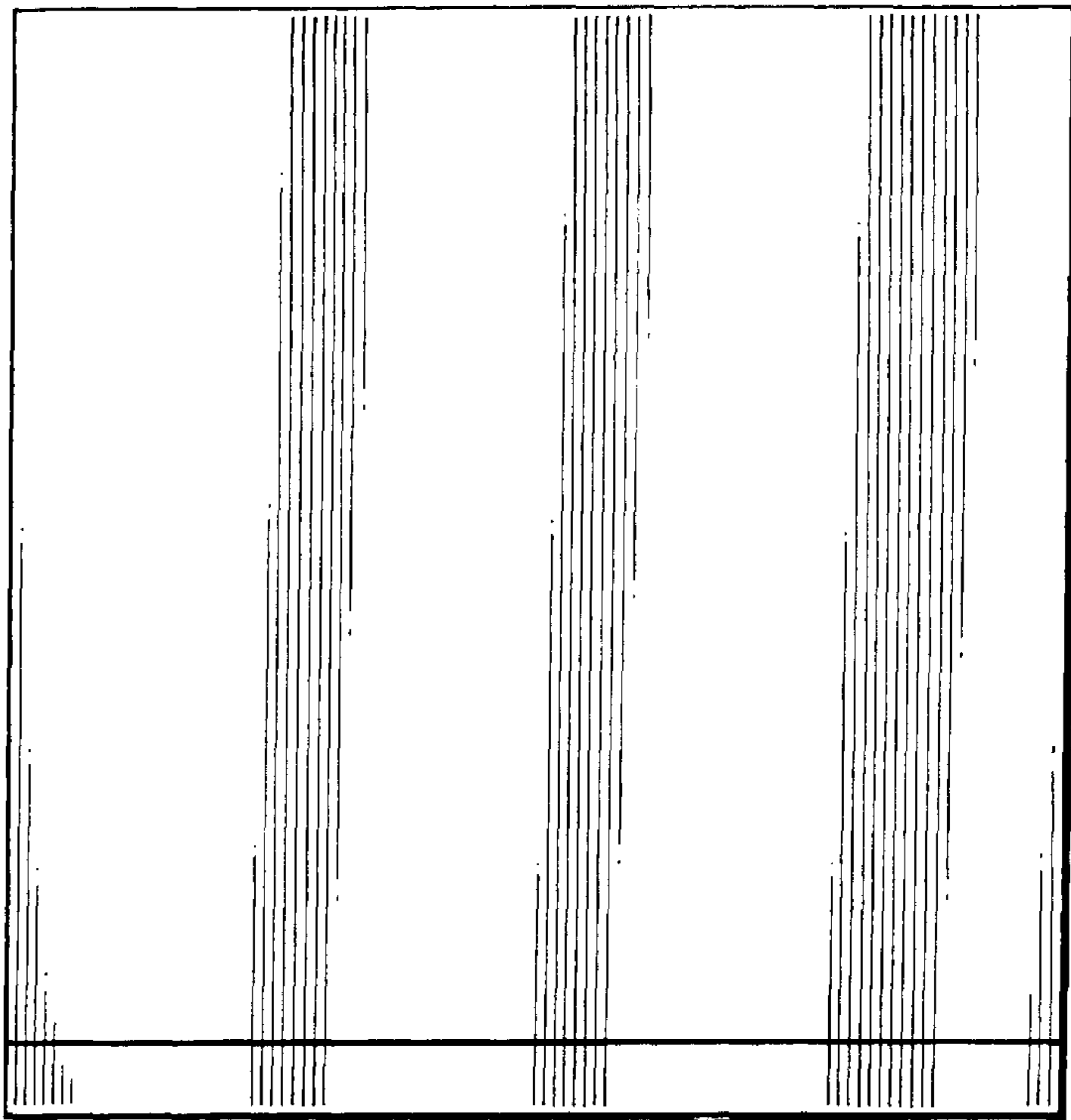


Fig. 4

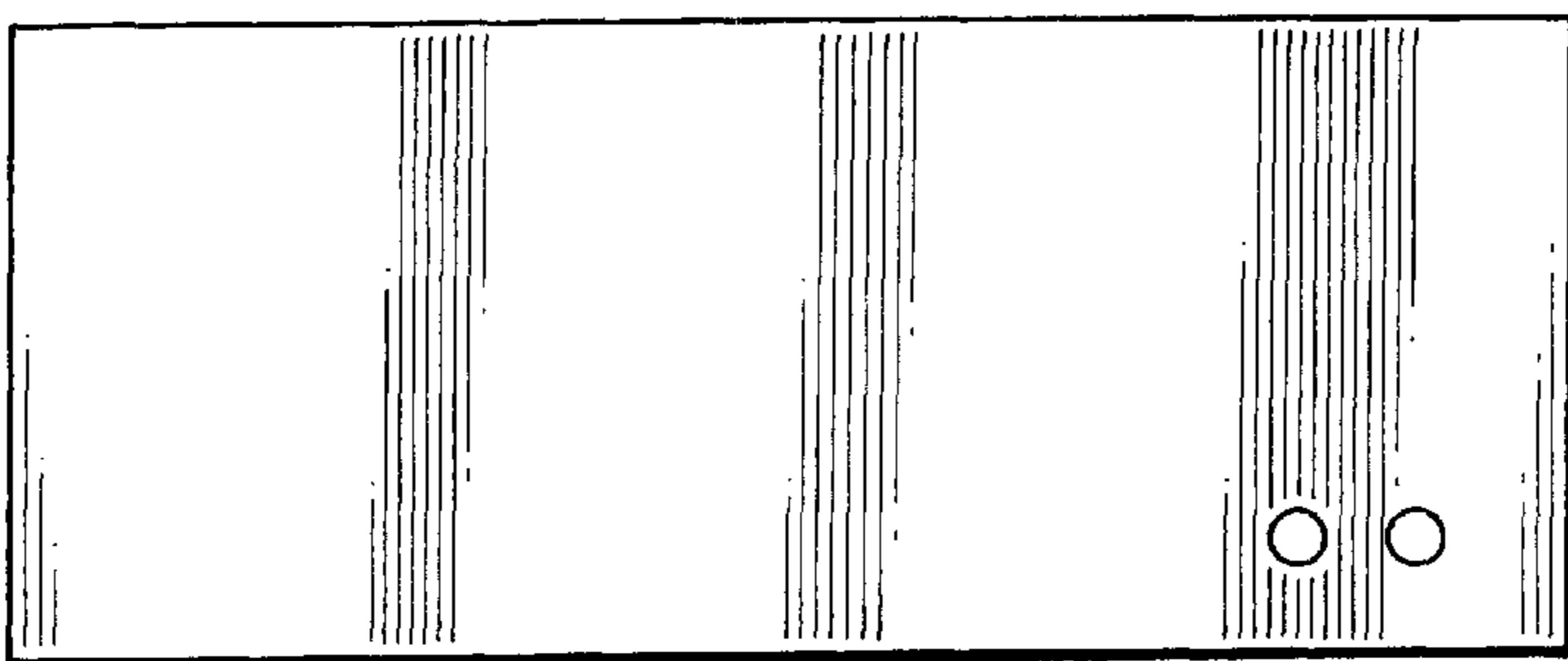


Fig. 5

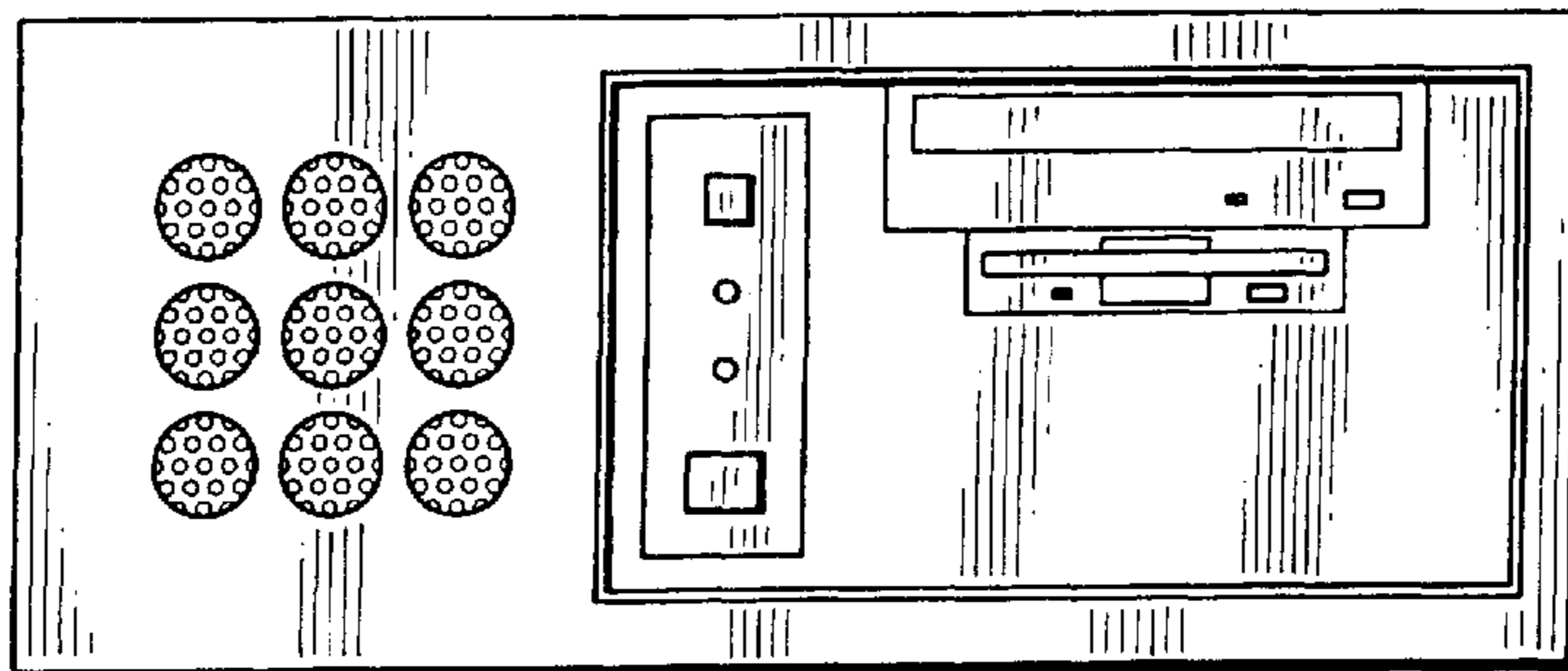


Fig. 6