



US00D473195S

(12) **United States Design Patent**  
**Wang**

(10) **Patent No.:** **US D473,195 S**

(45) **Date of Patent:** **\*\* Apr. 15, 2003**

(54) **AUDIO-VIDEO SELECTOR**

(75) **Inventor:** **Cheng-Si Wang**, Changhua Hsien (TW)

(73) **Assignee:** **Trans Electric Co., Ltd.**, Changhua Hsien (TW)

(\*\*) **Term:** **14 Years**

(21) **Appl. No.:** **29/153,199**

(22) **Filed:** **Jan. 2, 2002**

(51) **LOC (7) Cl.** ..... **13-03**

(52) **U.S. Cl.** ..... **D13/158**

(58) **Field of Search** ..... D13/158, 184;  
D14/125, 168, 188, 217, 239, 358; 273/148 B;  
369/1-3, 47, 83, 272, 292; 386/46; 439/945;  
463/30-47

(56) **References Cited**

**U.S. PATENT DOCUMENTS**

- D277,381 S \* 1/1985 Imazeki ..... D14/239
- D305,230 S \* 12/1989 Math ..... D14/124
- 4,976,435 A \* 12/1990 Shatford et al. .... 463/36
- D337,114 S \* 7/1993 Mantz ..... D14/188

- D347,004 S \* 5/1994 Beaumont et al. .... D14/137
- D357,287 S \* 4/1995 Feng ..... D21/332
- D413,866 S \* 9/1999 Suzuki ..... D13/158
- D420,982 S \* 2/2000 Yuyama ..... D13/158
- D452,513 S \* 12/2001 Uehara ..... D14/496

\* cited by examiner

*Primary Examiner*—James Gandy

*Assistant Examiner*—Selina Sikder

(74) *Attorney, Agent, or Firm*—William E. Pelton, Esq.

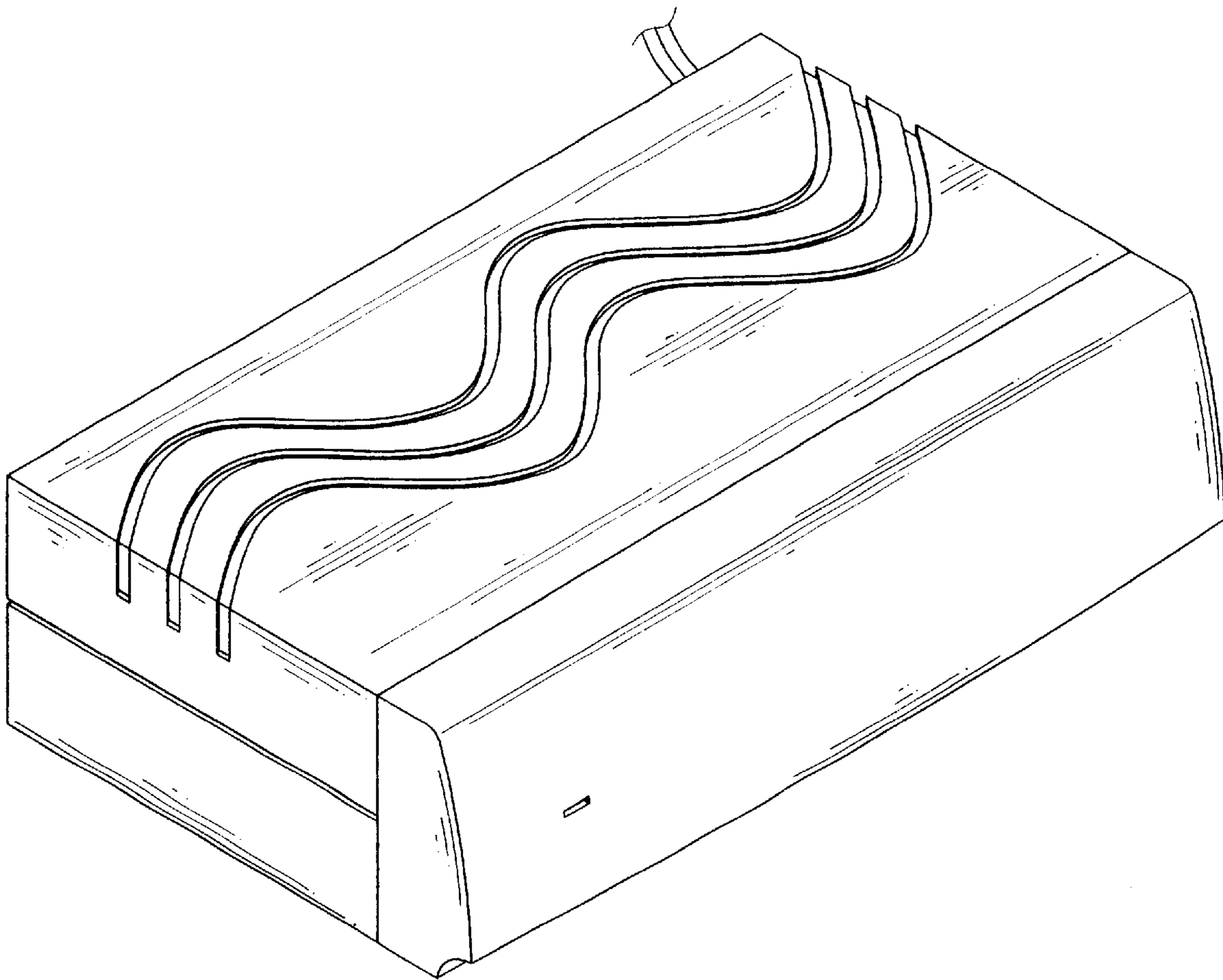
(57) **CLAIM**

The ornamental design for an audio-video selector, as shown.

**DESCRIPTION**

FIG. 1 is a perspective view of an audio-video selector showing my new design;  
 FIG. 2 is a front elevational view thereof;  
 FIG. 3 is a rear elevational view thereof;  
 FIG. 4 is a left side view thereof;  
 FIG. 5 is a right side view thereof;  
 FIG. 6 is a top plain view thereof; and,  
 FIG. 7 is a bottom plain view thereof.

**1 Claim, 5 Drawing Sheets**



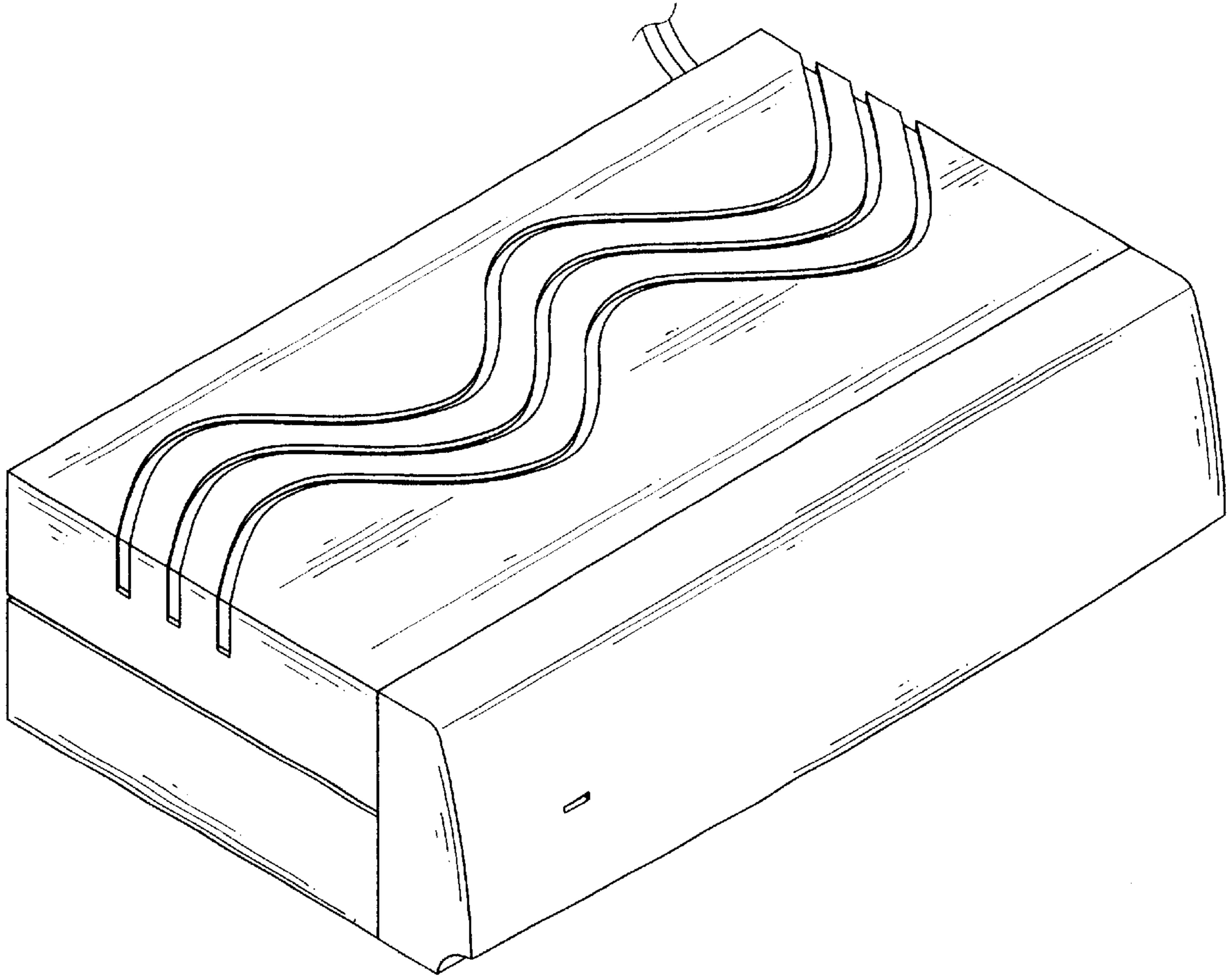


FIG.1

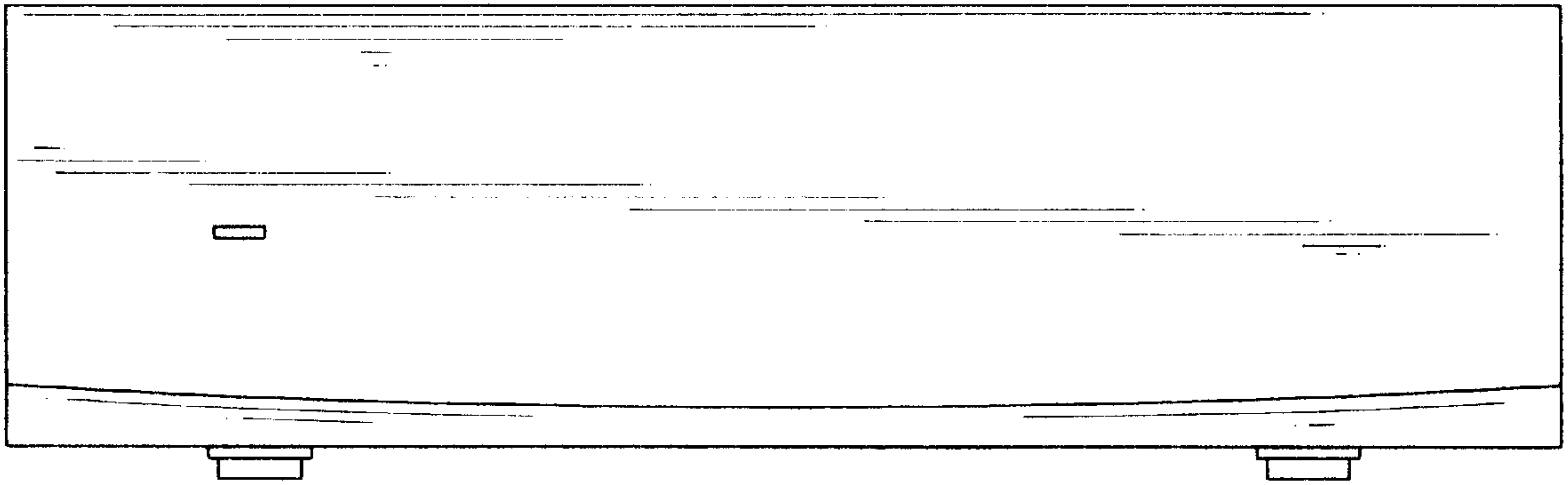


FIG. 2

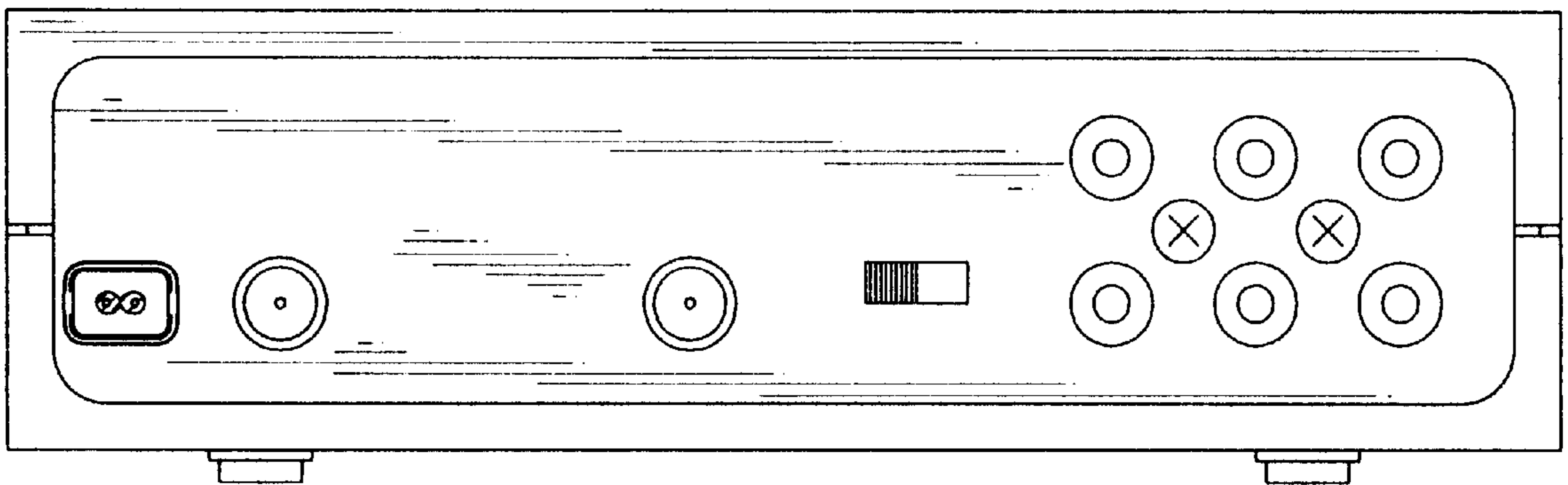


FIG. 3

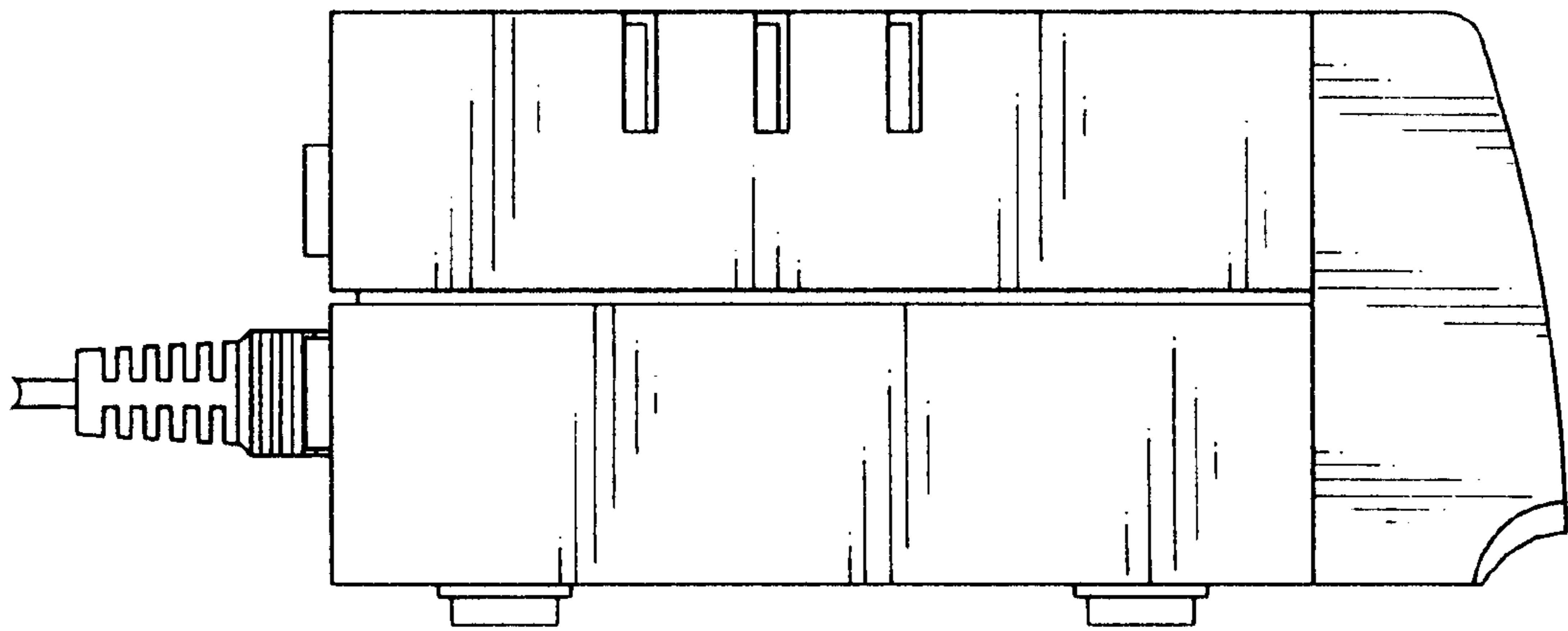


FIG. 4

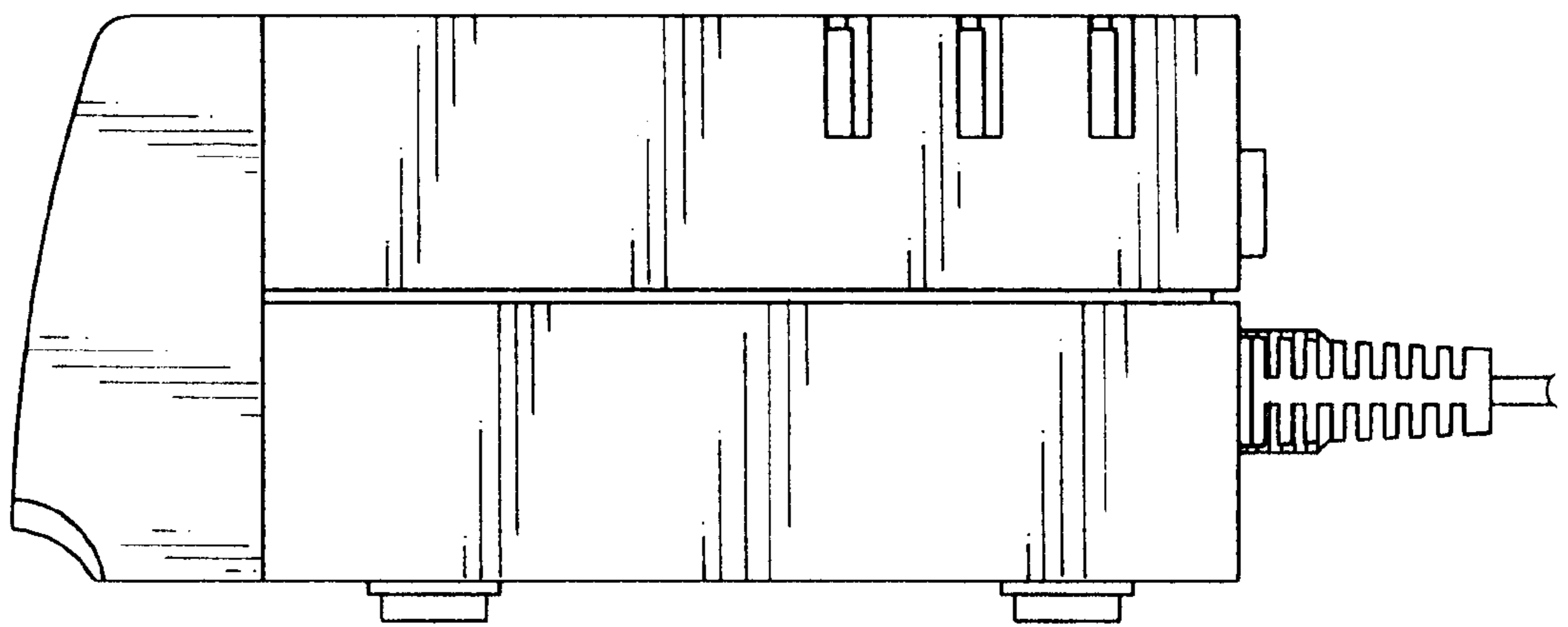


FIG. 5

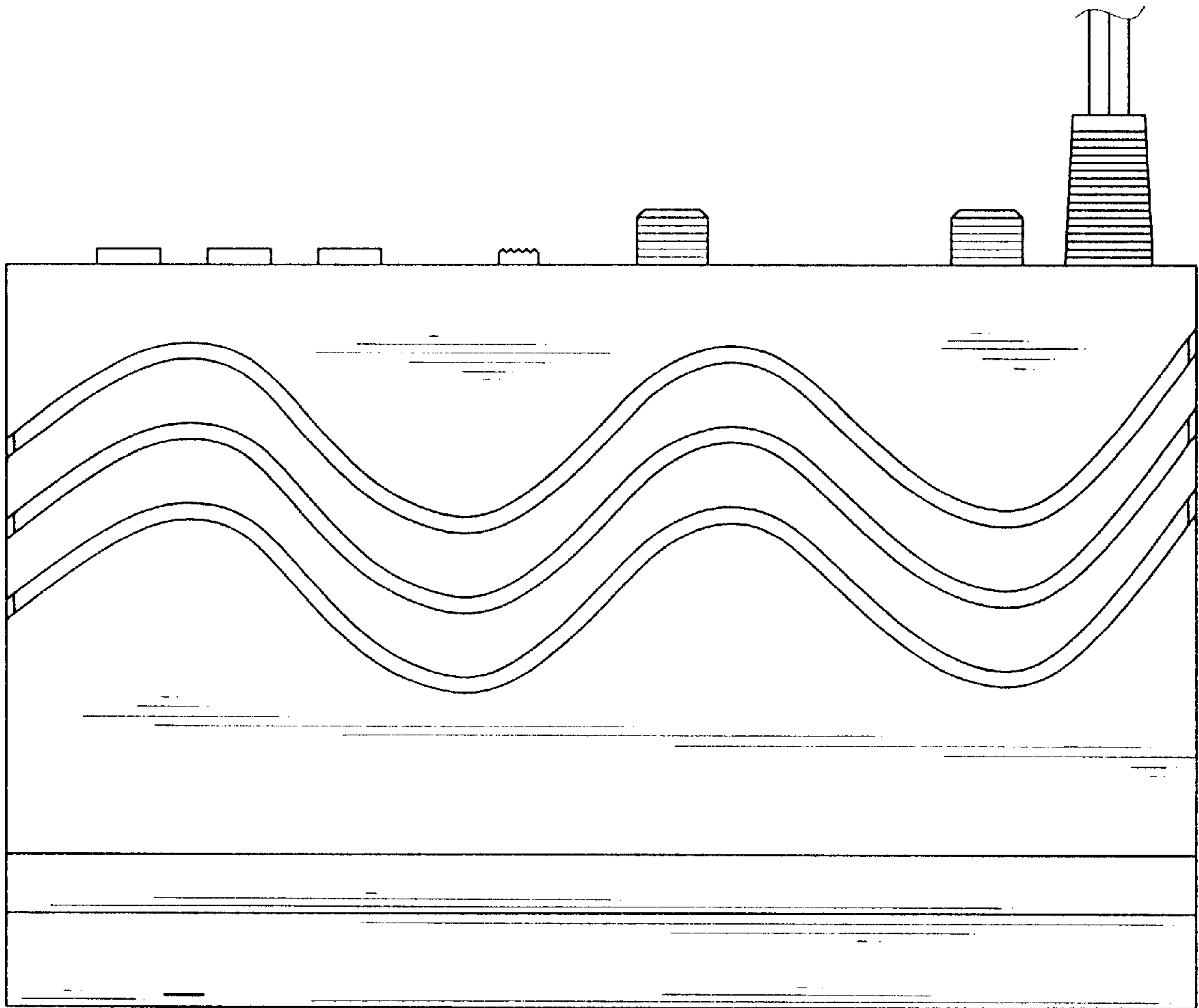


FIG.6

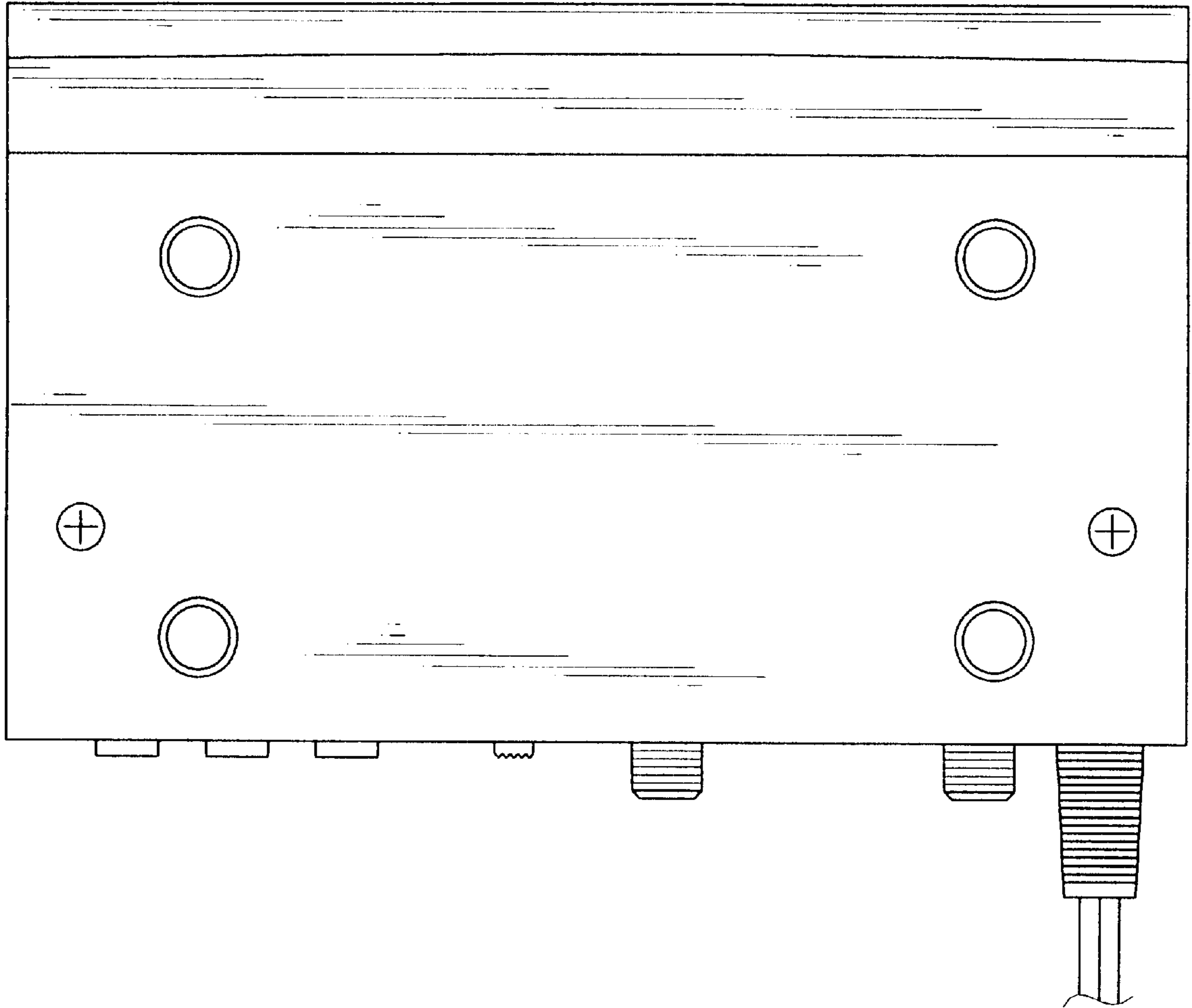


FIG. 7