



US00D473194S

(12) **United States Design Patent**
Lee

(10) **Patent No.:** **US D473,194 S**

(45) **Date of Patent:** **** Apr. 15, 2003**

(54) **CONNECTOR SHELL**

(75) Inventor: **Kendrew Lee**, Fremont, CA (US)

(73) Assignee: **Monster Cable Products, Inc.**,
Brisbane, CA (US)

(**) Term: **14 Years**

(21) Appl. No.: **29/160,883**

(22) Filed: **May 17, 2002**

(51) **LOC (7) Cl.** **13-03**

(52) **U.S. Cl.** **D13/154; D13/133**

(58) **Field of Search** **D13/154, 133;**
439/668, 669, 578

(56) **References Cited**

U.S. PATENT DOCUMENTS

D206,662 S	*	1/1967	Karol	D13/156
D434,009 S	*	11/2000	Lee	D13/154
D453,322 S	*	2/2002	Lee	D13/154
D465,205 S	*	11/2002	Orpilla et al.	D13/154

* cited by examiner

Primary Examiner—Jennifer Rivard

(74) *Attorney, Agent, or Firm*—LaRiviere, Grubman & Payne, LLP

(57) **CLAIM**

The ornamental design for a connector shell, as shown and described.

DESCRIPTION

A portion of the disclosure of this design patent document contains material to which a claim of copyright protection is made. The copyright owner has no objection to the facsimile reproduction of the patent document or the patent disclosure as it appears in the U.S. Patent and Trademark office file or records, but reserves all other copyright rights.

FIG. 1 is a perspective view of a connector shell, in accordance with the present invention.

FIG. 2 is another perspective view thereof.

FIG. 3 is a top view thereof.

FIG. 4 is another top view thereof.

FIG. 5 is an underside view thereof.

FIG. 6 is a side view thereof.

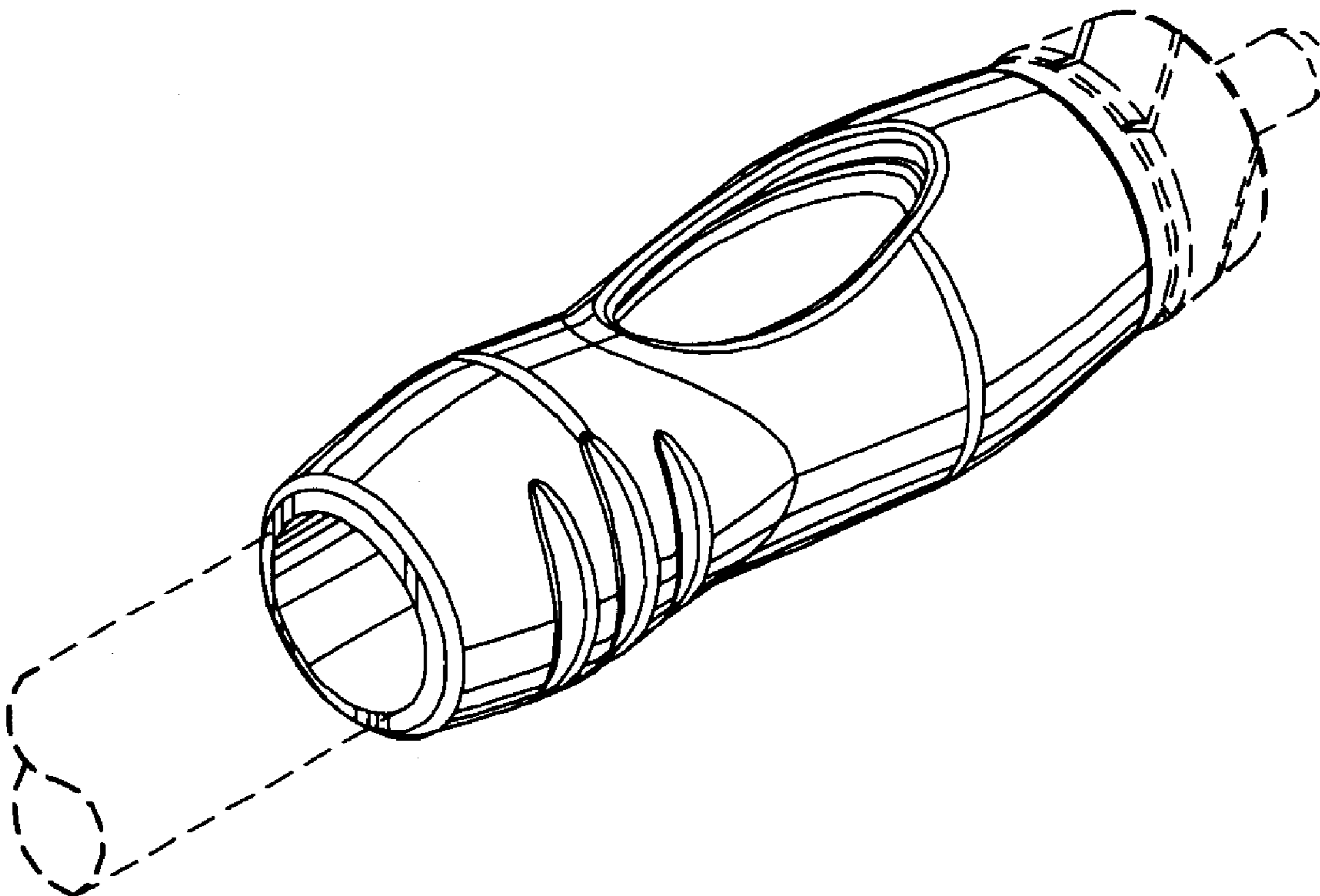
FIG. 7 is another side view thereof.

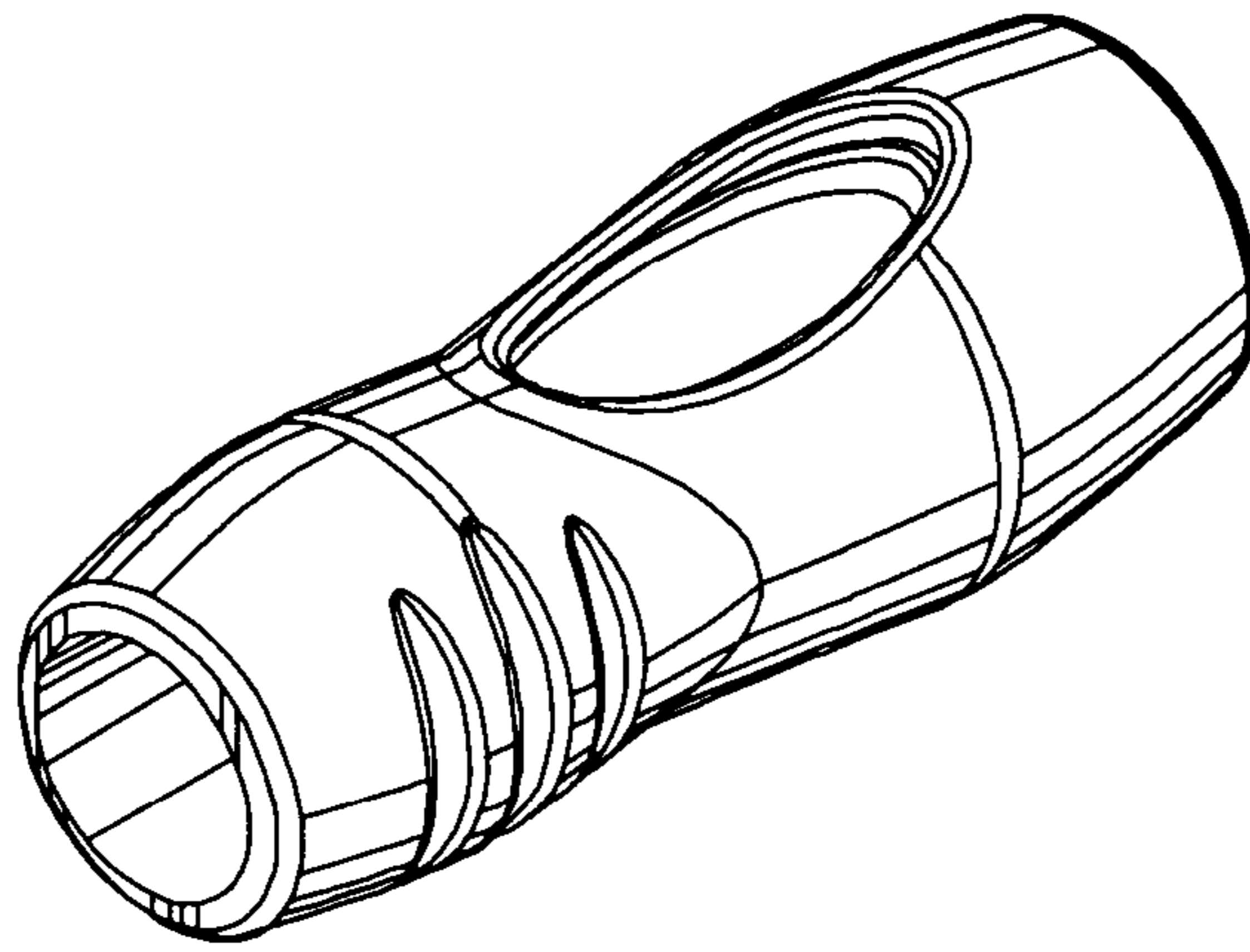
FIG. 8 is a corresponding side view thereof; and,

FIG. 9 is a front view thereof.

The broken lines showing the environment in the Figures are for illustrative purposes only and form no part of the claimed design.

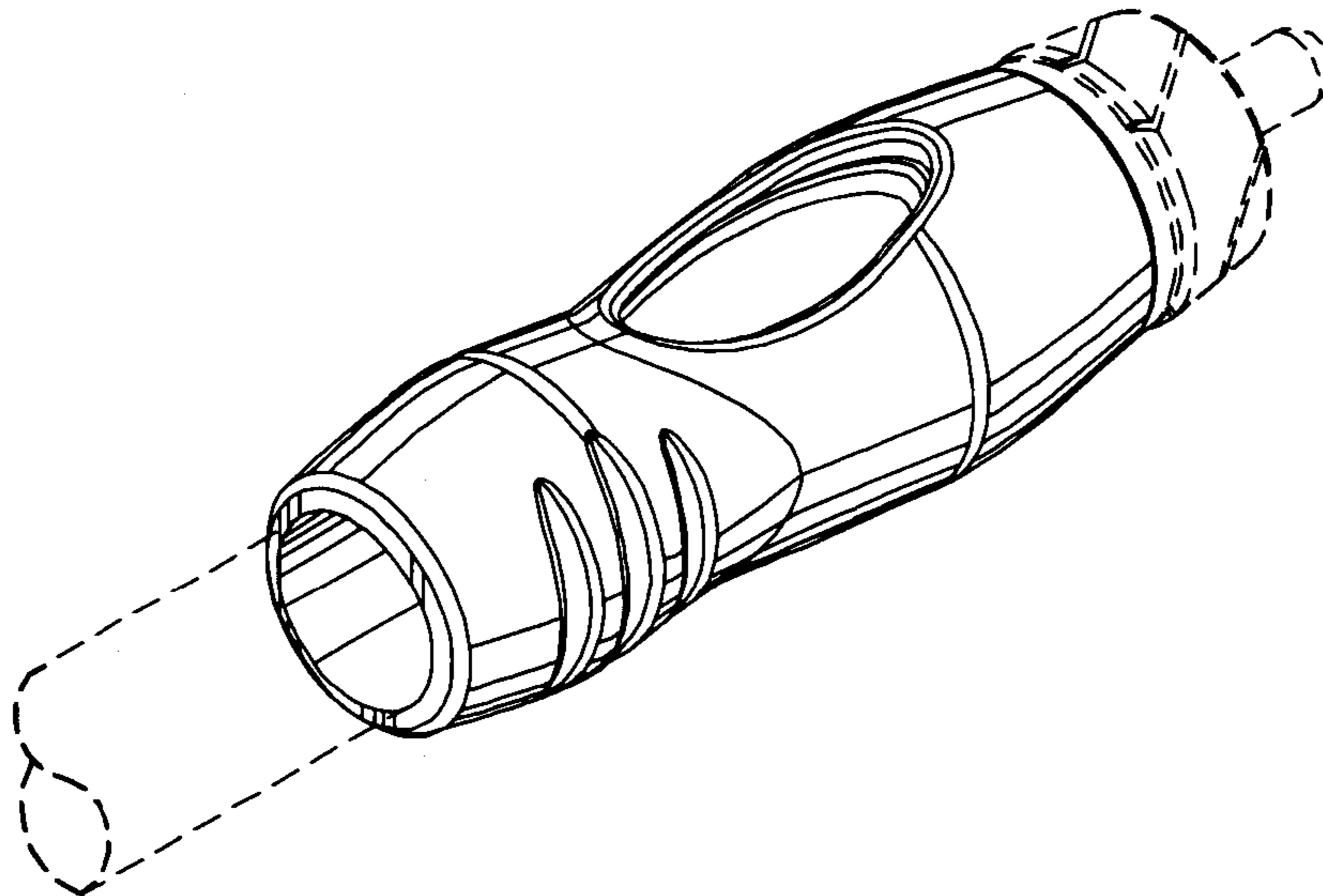
1 Claim, 3 Drawing Sheets





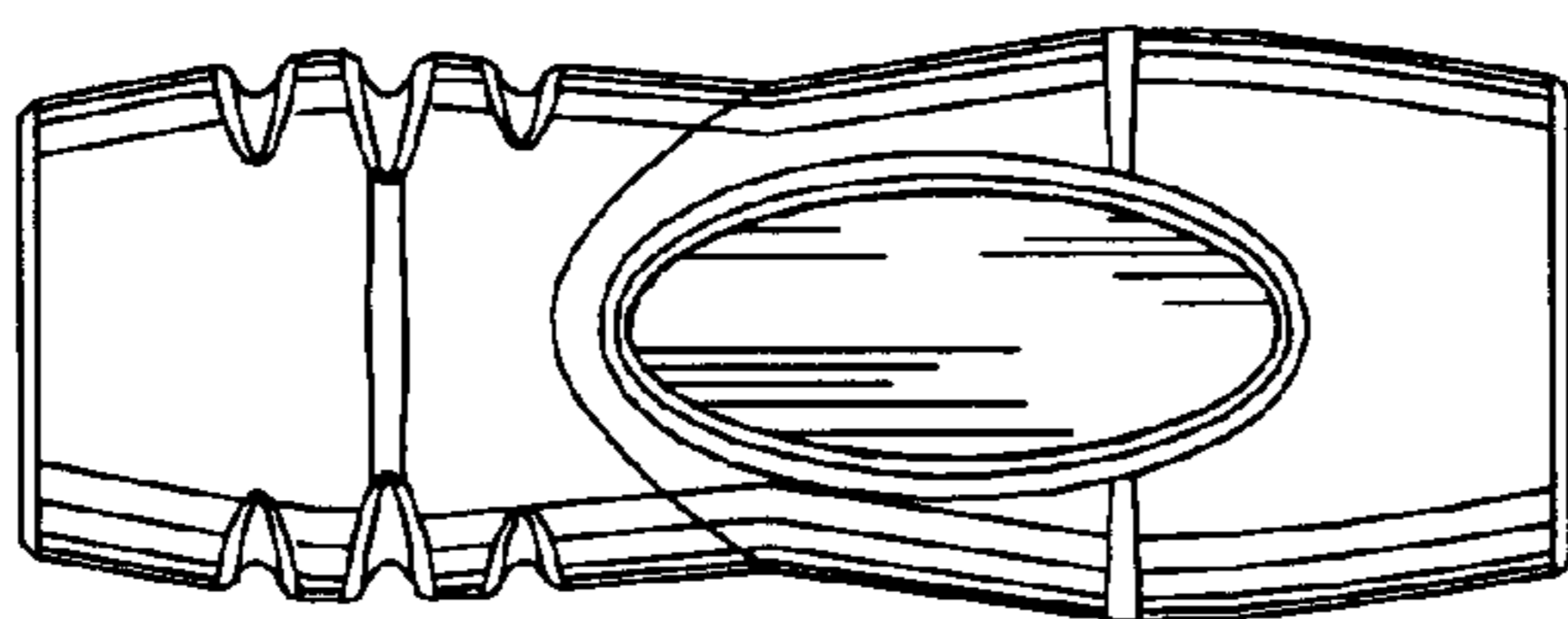
© 2002 MONSTER CABLE PRODUCTS, INC.

Figure 1



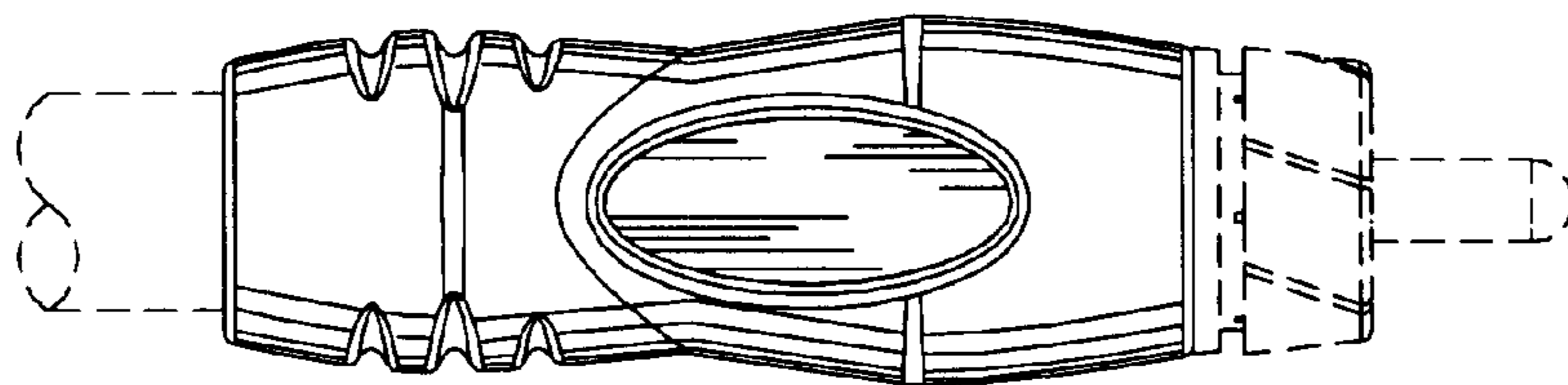
© 2002 MONSTER CABLE PRODUCTS, INC.

Figure 2



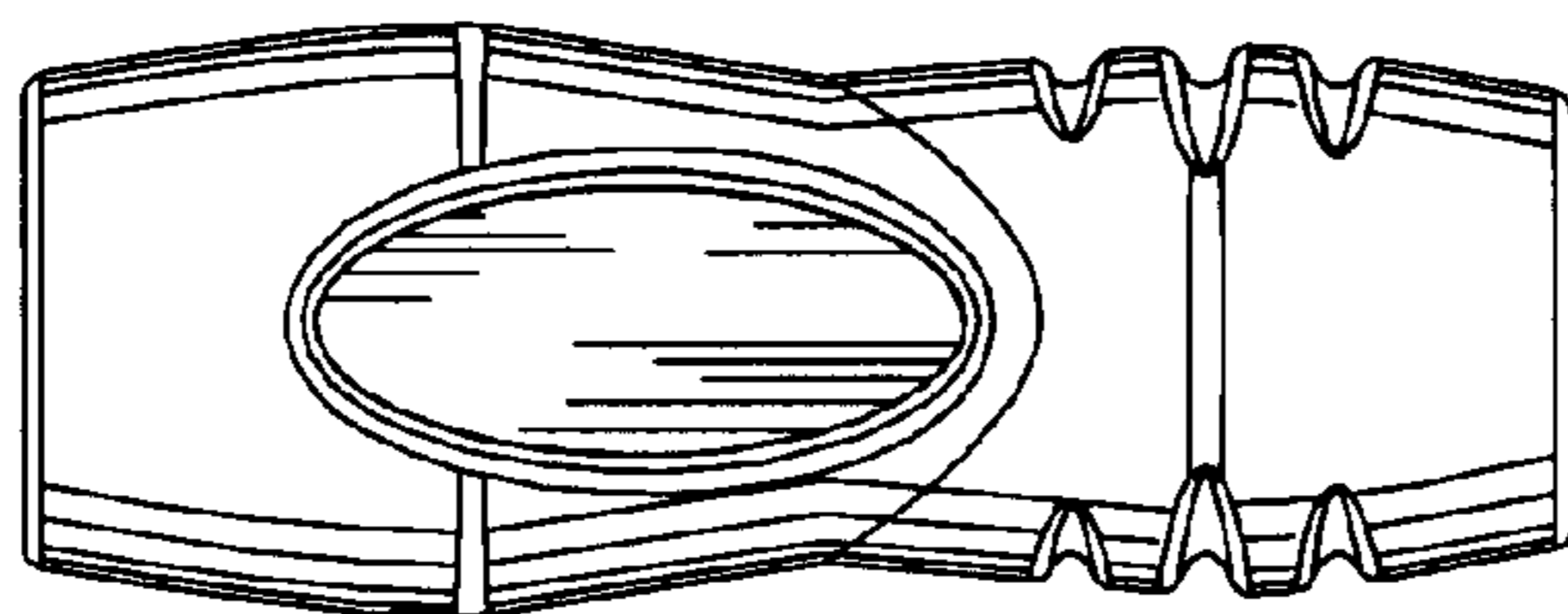
© 2002 MONSTER CABLE PRODUCTS, INC.

Figure 3



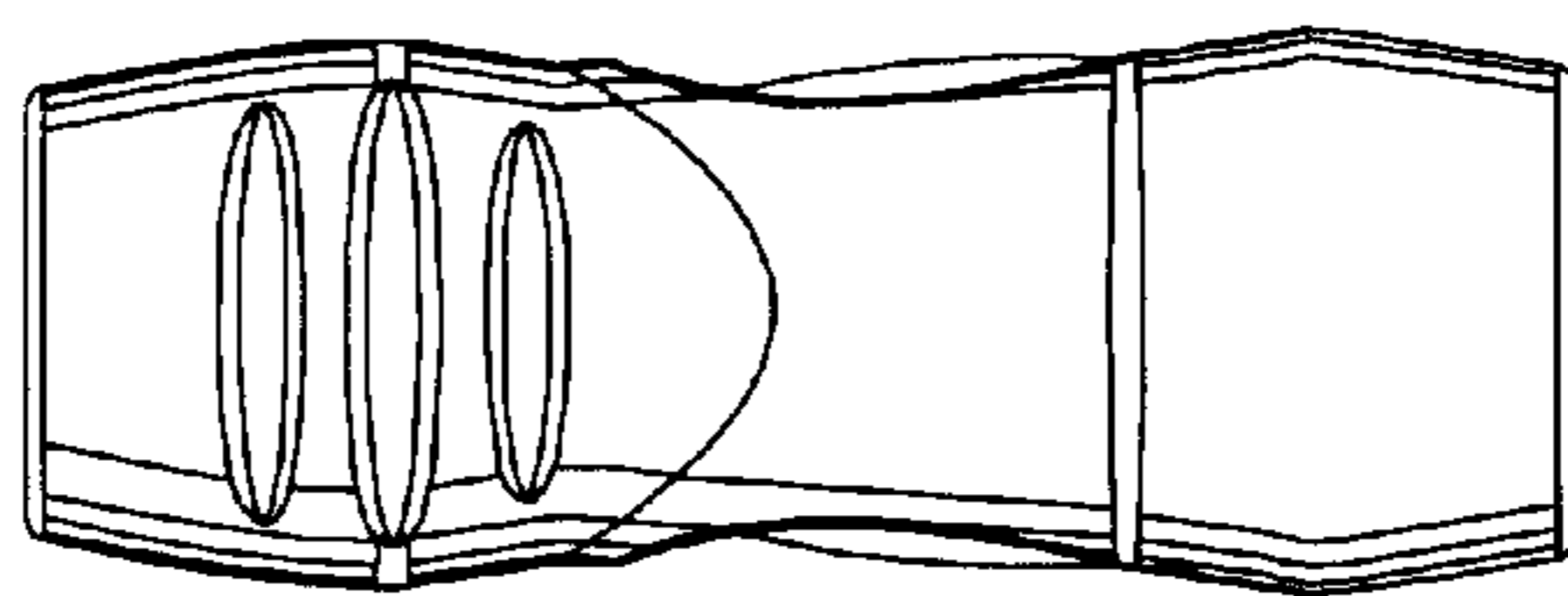
© 2002 MONSTER CABLE PRODUCTS, INC.

Figure 4



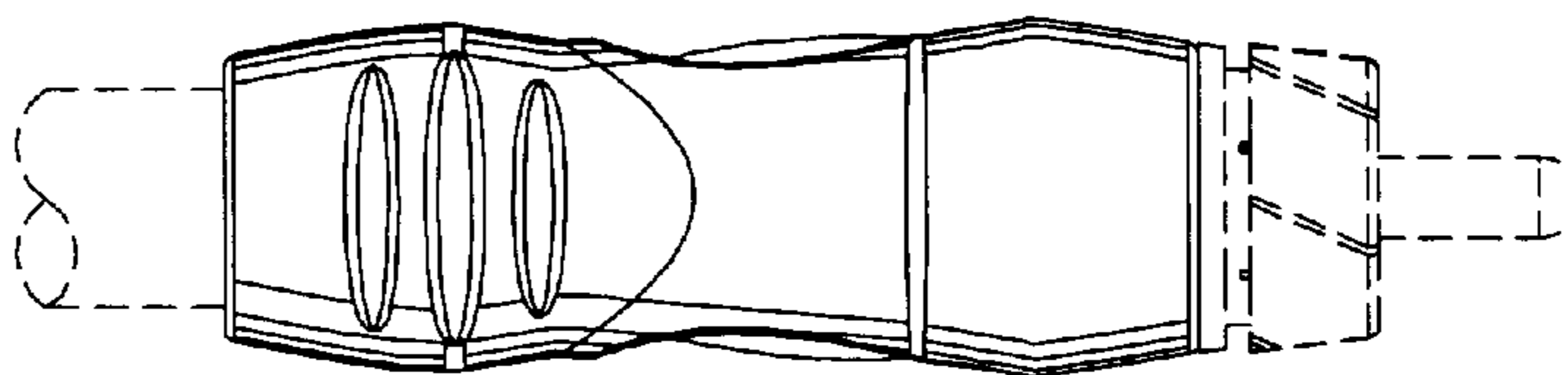
© 2002 MONSTER CABLE PRODUCTS, INC.

Figure 5



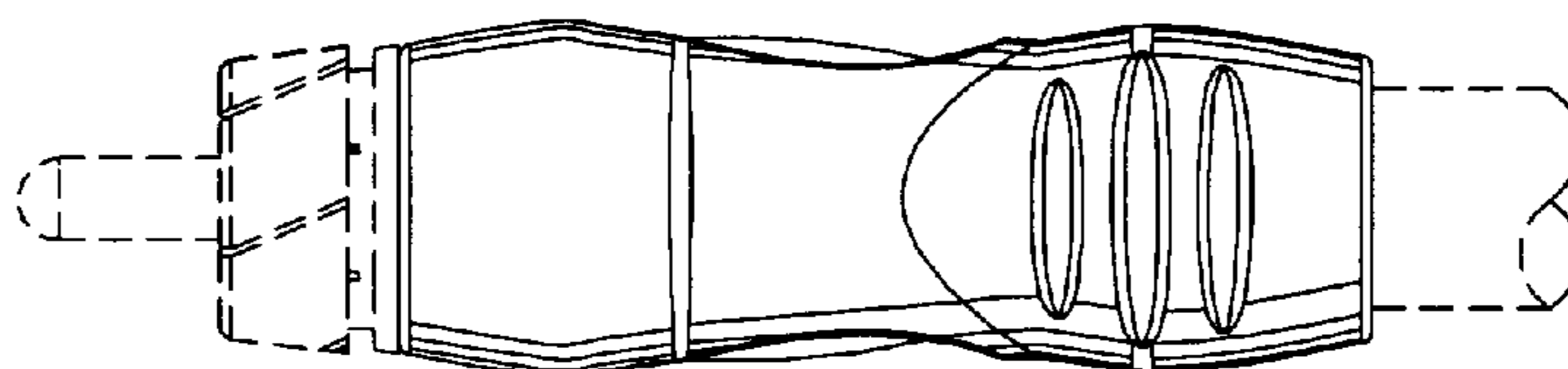
© 2002 MONSTER CABLE PRODUCTS, INC.

Figure 6



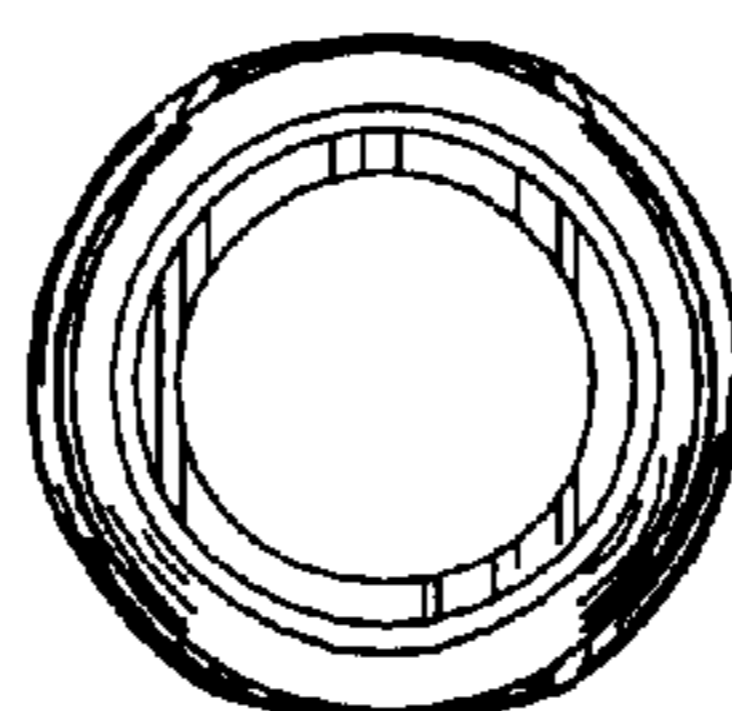
© 2002 MONSTER CABLE PRODUCTS, INC.

Figure 7



© 2002 MONSTER CABLE PRODUCTS, INC.

Figure 8



© 2002 MONSTER CABLE PRODUCTS, INC.

Figure 9