



US00D473193S

(12) **United States Design Patent**  
**Yang et al.**

(10) **Patent No.:** **US D473,193 S**

(45) **Date of Patent:** **\*\* Apr. 15, 2003**

(54) **ELECTRICAL CONNECTOR ASSEMBLY**  
(75) Inventors: **Jian Ning Yang**, Kunsan (CN); **Jin Kui Hu**, Kunsan (CN); **Gua Hua Zhang**, Kunsan (CN)

6,162,089 A \* 12/2000 Costello et al. .... 439/541.5  
6,174,198 B1 \* 1/2001 Wu et al. .... 439/541.5  
6,183,292 B1 \* 2/2001 Chen et al. .... 439/541.5  
D442,145 S \* 5/2001 Zheng et al. .... D13/147  
6,368,150 B1 \* 4/2002 Zheng et al. .... 439/541.5  
6,368,151 B1 \* 4/2002 Chen et al. .... 439/541.5

(73) Assignee: **Hon Hai Precision Ind. Co., Ltd.**, Taipei Hsien (TW)

\* cited by examiner

(\*\*) Term: **14 Years**

*Primary Examiner*—Joel Sincavage  
(74) *Attorney, Agent, or Firm*—Wei Te Chung

(21) Appl. No.: **29/165,759**

(57) **CLAIM**

(22) Filed: **Aug. 16, 2002**

The ornamental design for an electrical connector assembly, as shown.

(51) **LOC (7) Cl.** ..... **13-03**  
(52) **U.S. Cl.** ..... **D13/147**  
(58) **Field of Search** ..... D13/147; 439/541.5, 439/607

**DESCRIPTION**

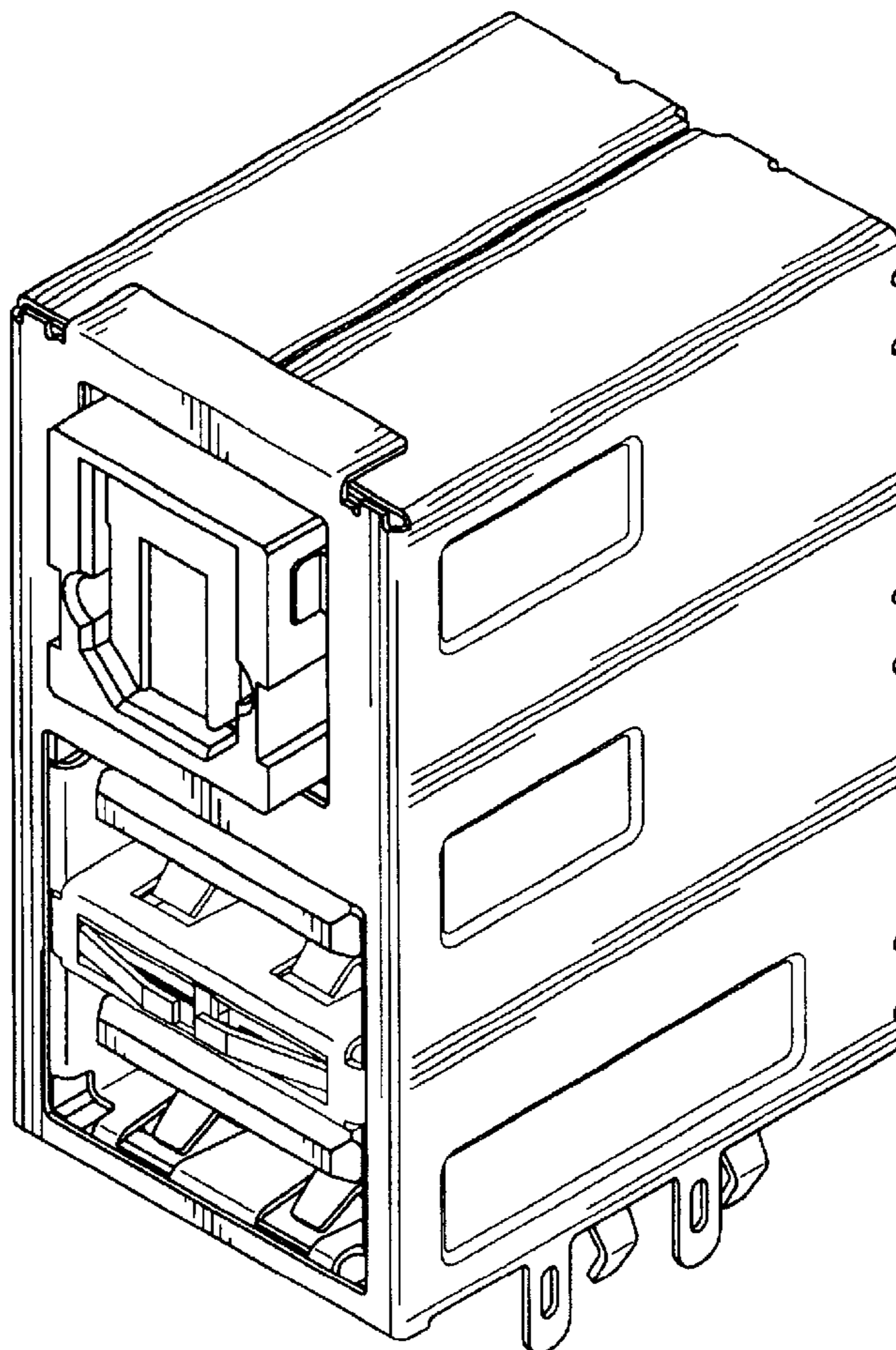
(56) **References Cited**

FIG. 1 is a front, top and right side perspective view of an electrical connector assembly showing our new design; FIG. 2 is a front elevational view thereof; FIG. 3 is a rear elevational view thereof; FIG. 4 is a left side elevational view thereof; FIG. 5 is a right side elevational view thereof; FIG. 6 is a top plan view thereof; and, FIG. 7 is a bottom plan view thereof.

**U.S. PATENT DOCUMENTS**

D407,070 S \* 3/1999 Chang ..... D13/147  
D419,134 S \* 1/2000 Chen ..... D13/146  
6,149,459 A \* 11/2000 Yang ..... 439/541.5  
6,155,872 A \* 12/2000 Wu ..... 439/541.5  
6,159,039 A \* 12/2000 Wu ..... 439/541.5

**1 Claim, 7 Drawing Sheets**



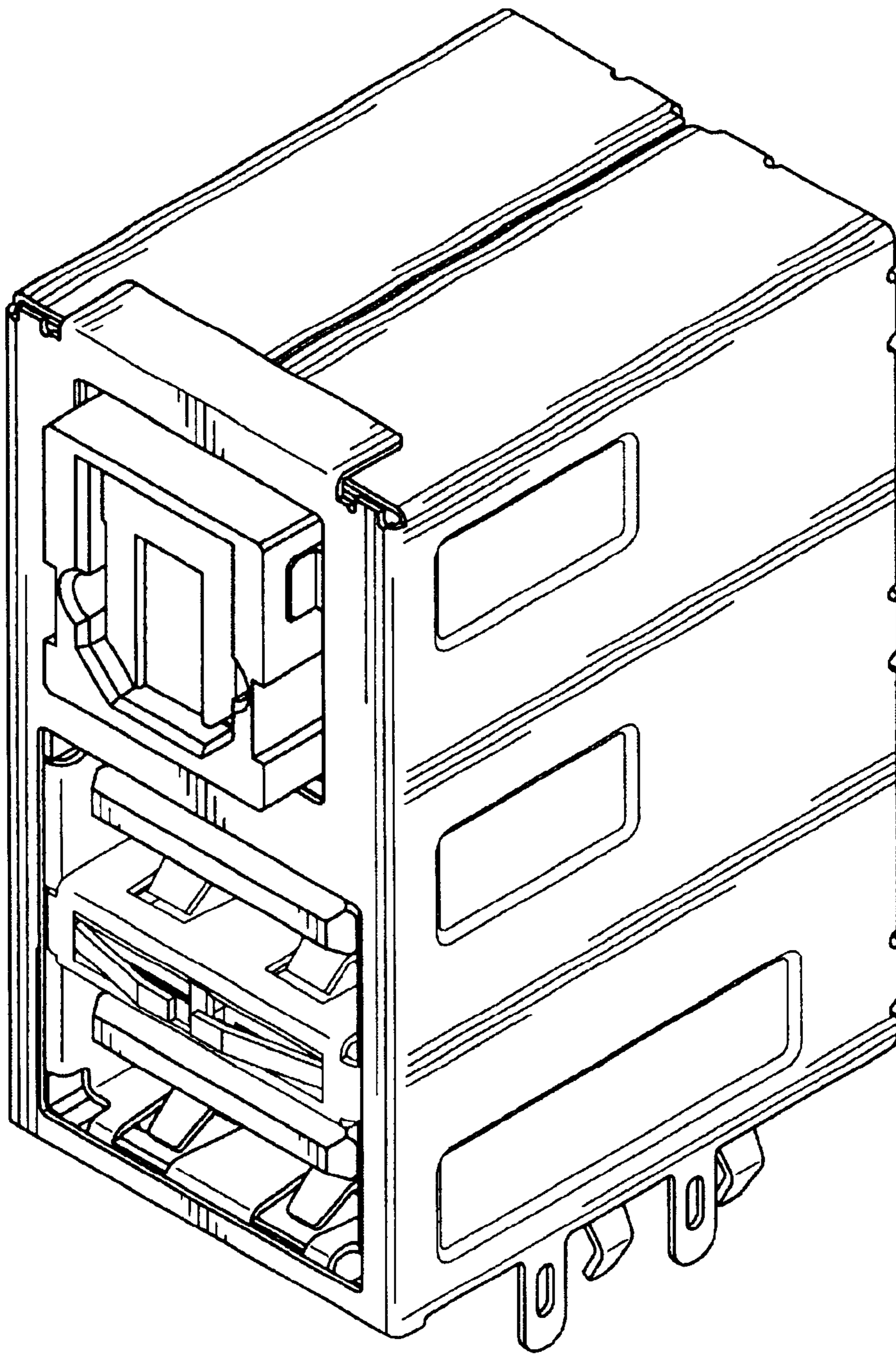


FIG. 1

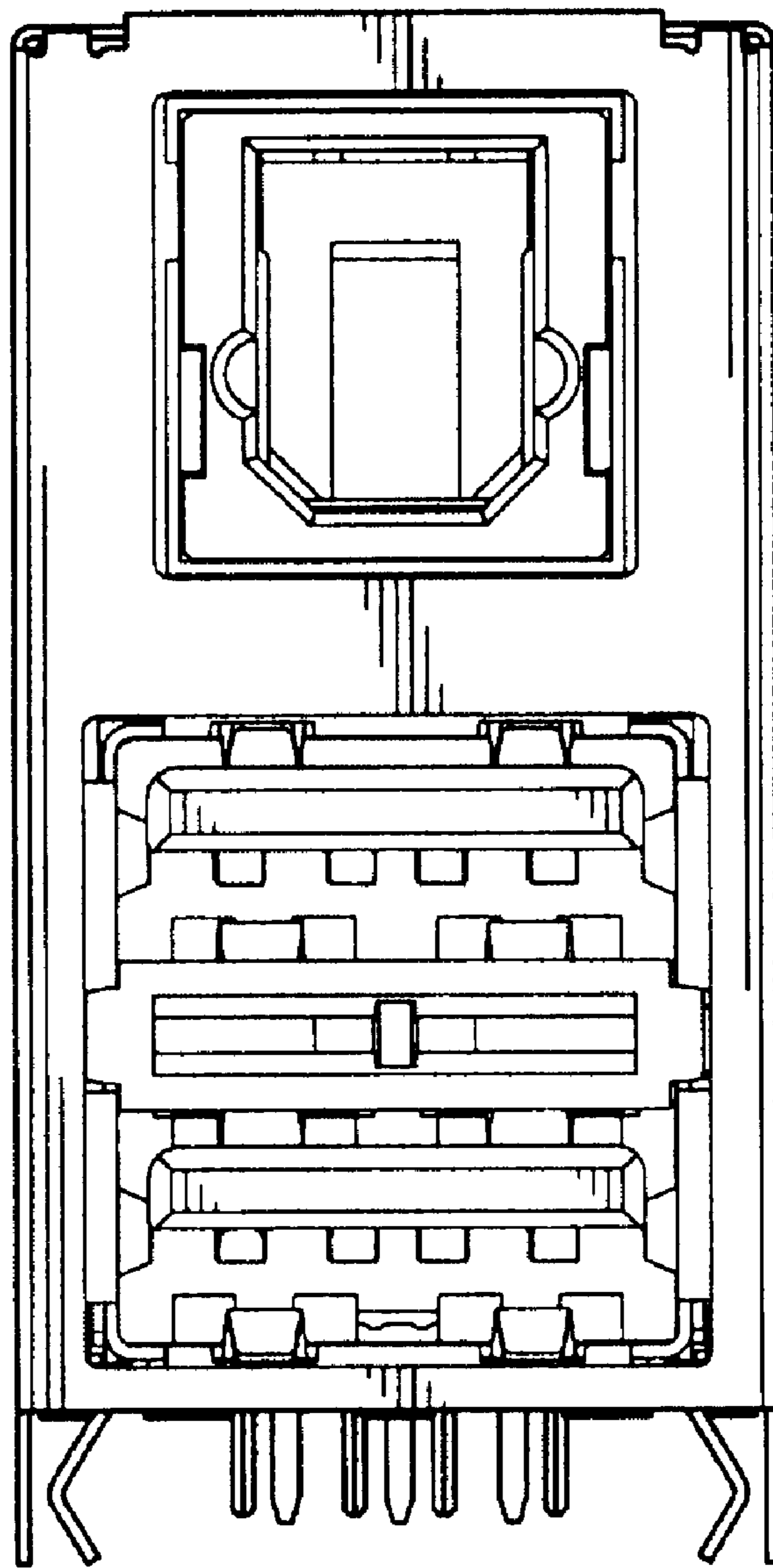


FIG. 2

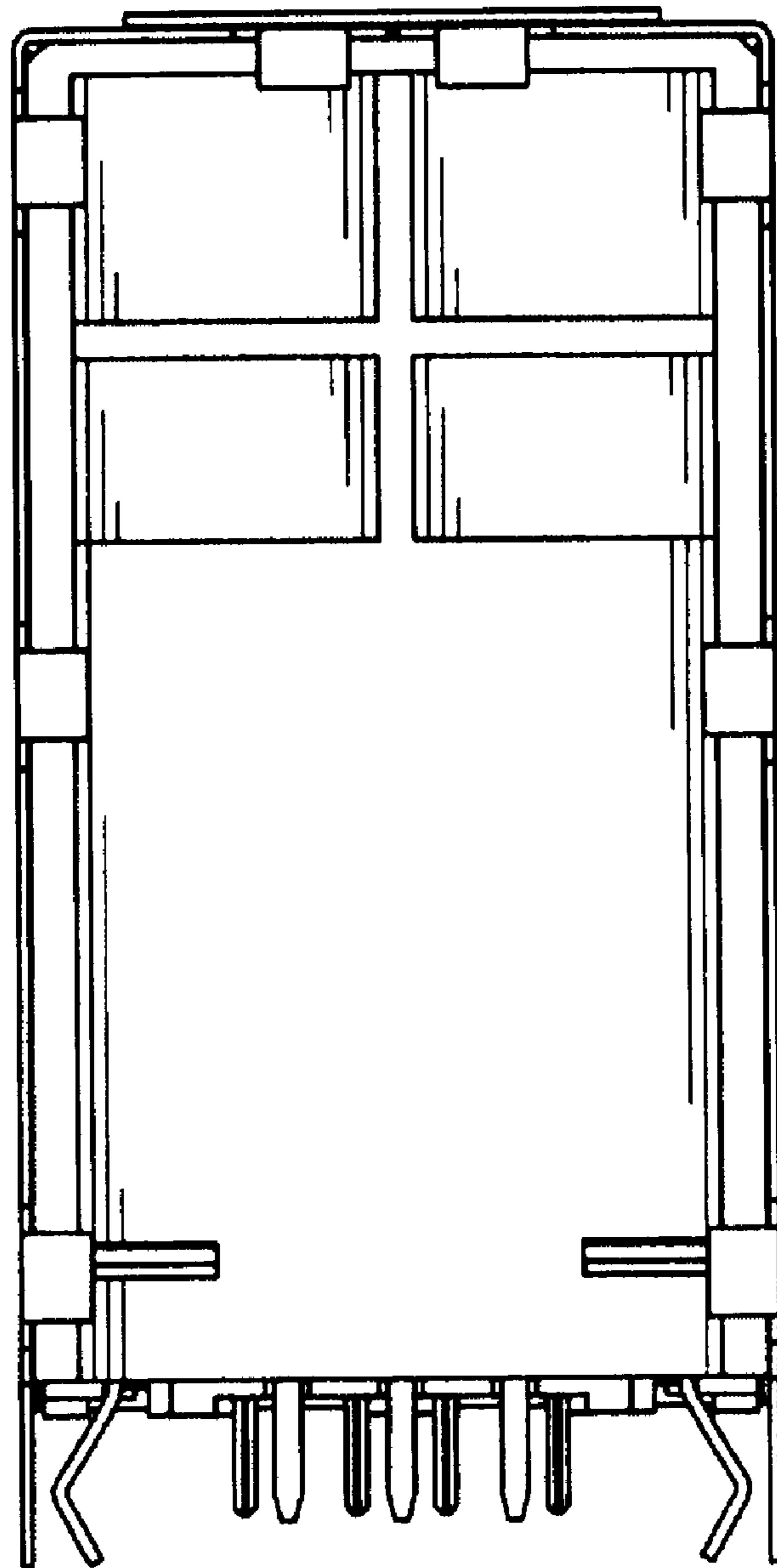


FIG. 3

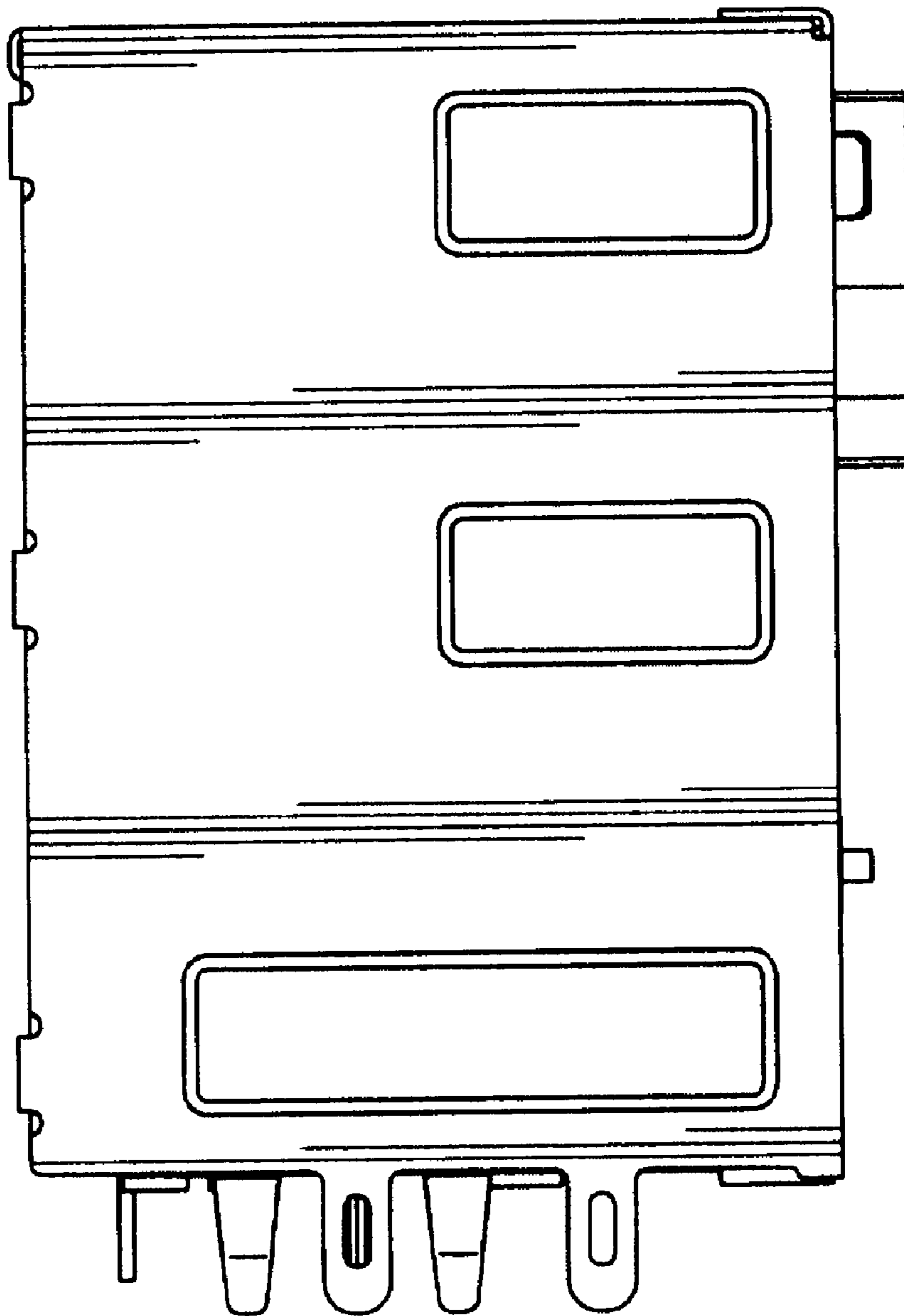


FIG. 4

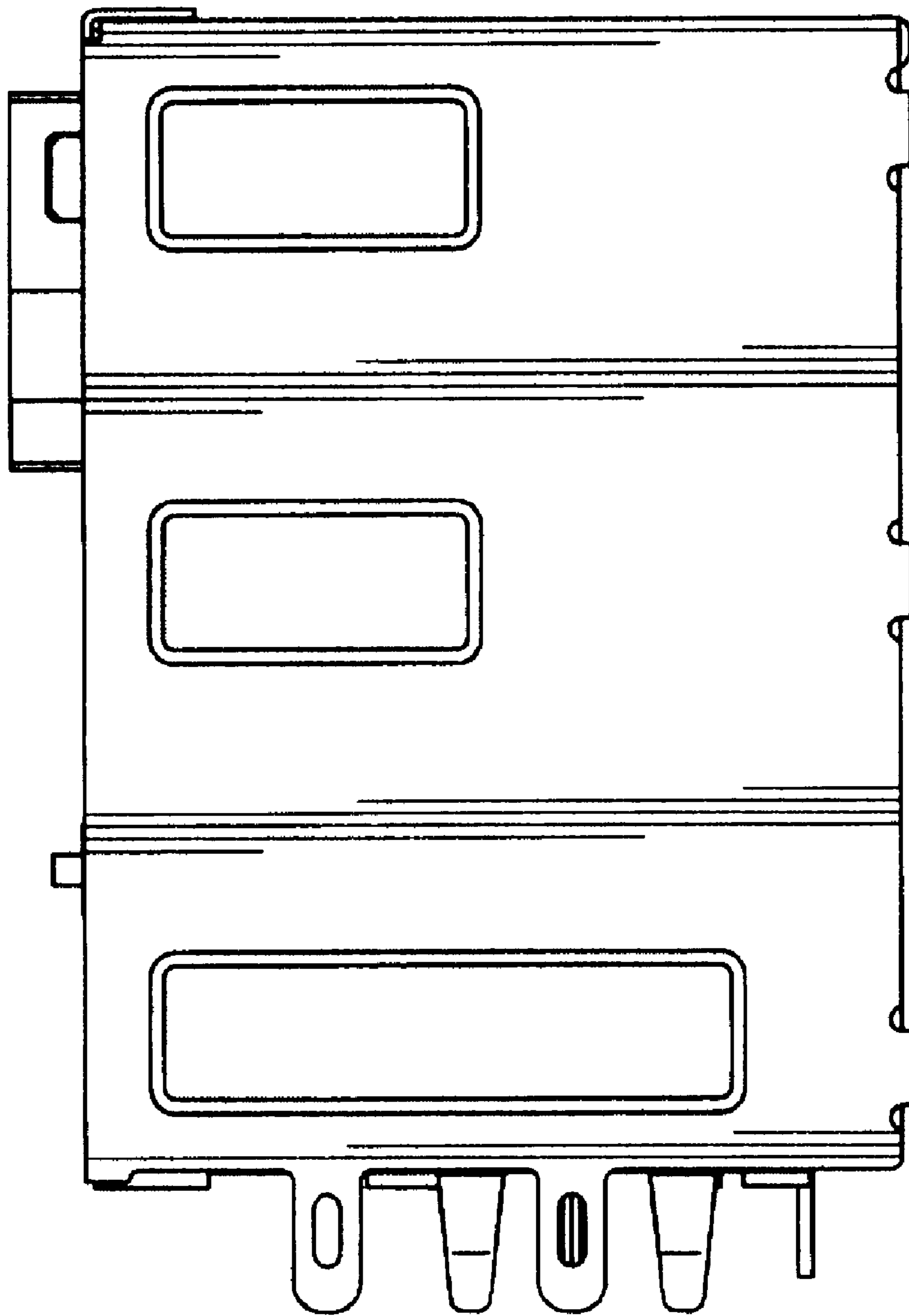


FIG. 5

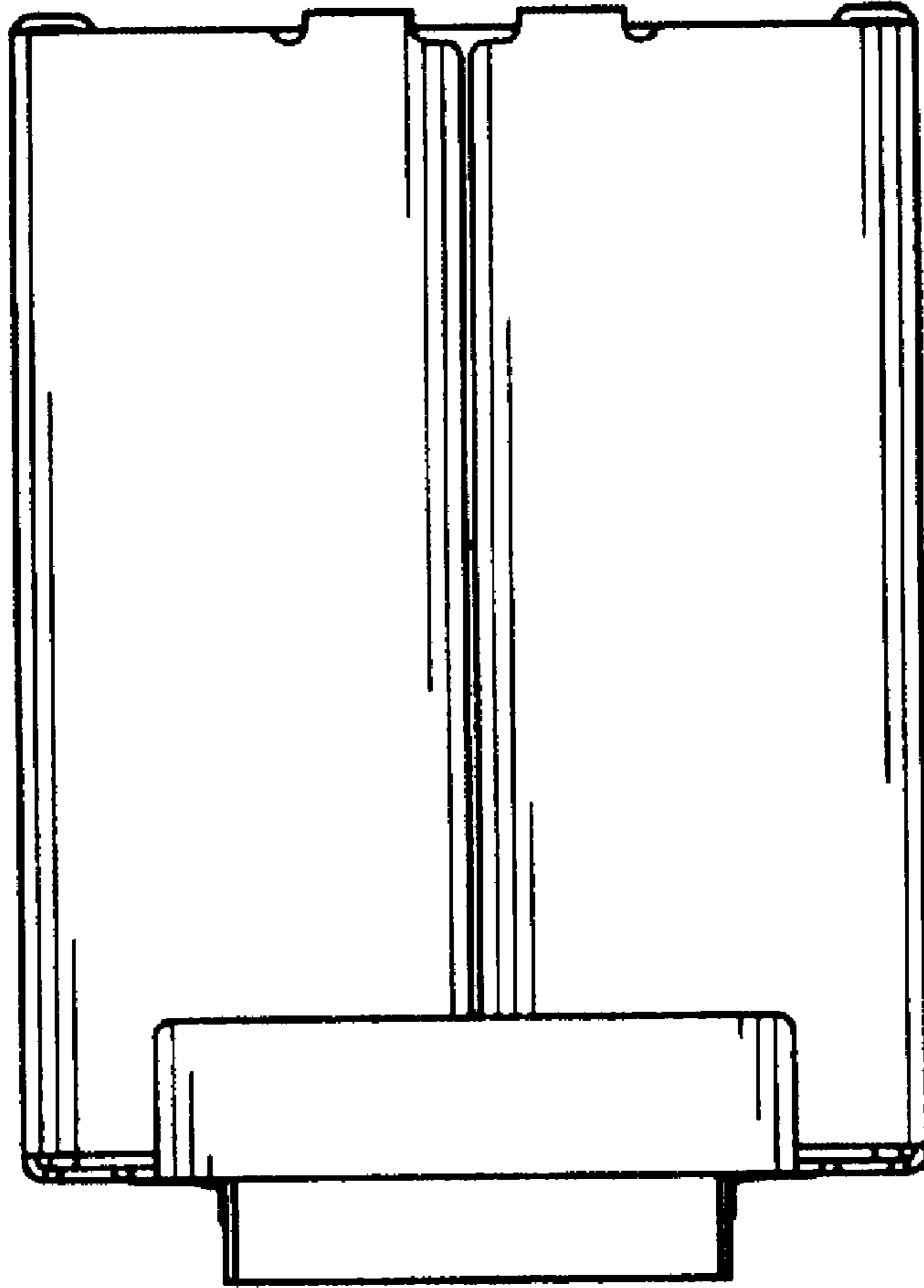


FIG. 6

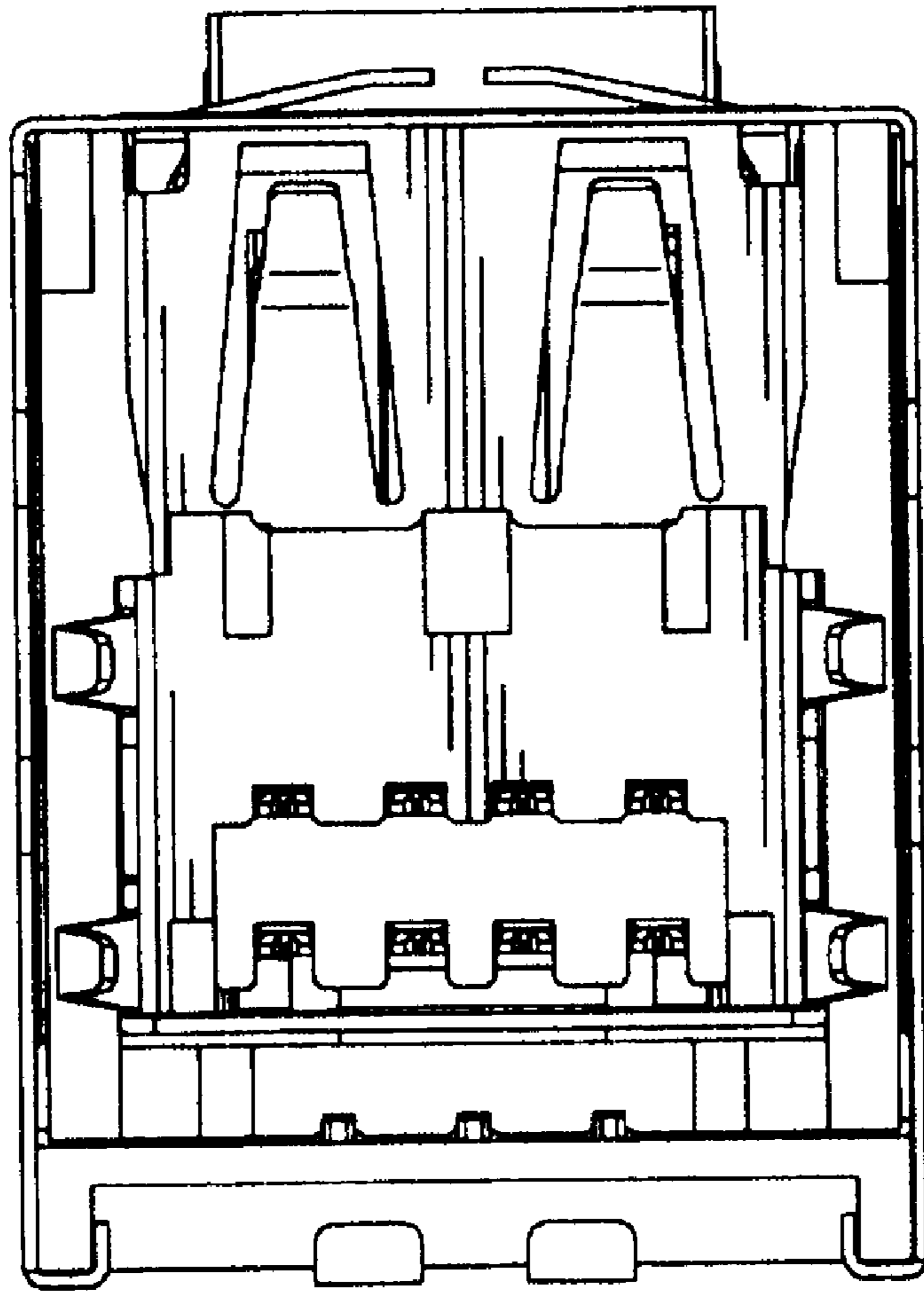


FIG. 7