



US00D473186S

(12) **United States Design Patent**
Grosfeld et al.

(10) **Patent No.:** **US D473,186 S**

(45) **Date of Patent:** **** Apr. 15, 2003**

(54) **BATTERY FOR A MOBILE TERMINAL**

6,461,764 B1 * 10/2002 Nakamura 429/96 X
6,474,123 B1 * 11/2002 Kito et al. 429/97 X

(75) Inventors: **Henry Grosfeld**, Great Neck, NY (US);
Frank Gong, Syosset, NY (US)

OTHER PUBLICATIONS

(73) Assignee: **Symbol Technologies, Inc.**, Holtsville,
NY (US)

Battery for Nokia 8200 Series at www.ezcor.com/products/90677.html accessed Nov. 24, 2002.*

(**) Term: **14 Years**

* cited by examiner

(21) Appl. No.: **29/163,595**

Primary Examiner—Joel Sincavage

(22) Filed: **Jul. 9, 2002**

(57) **CLAIM**

(51) **LOC (7) Cl.** **13-02**

(52) **U.S. Cl.** **D13/103**

(58) **Field of Search** D13/103; 429/96–100,
429/159, 163, 176

The ornamental design for a battery for a mobile terminal,
as shown and described.

DESCRIPTION

(56) **References Cited**

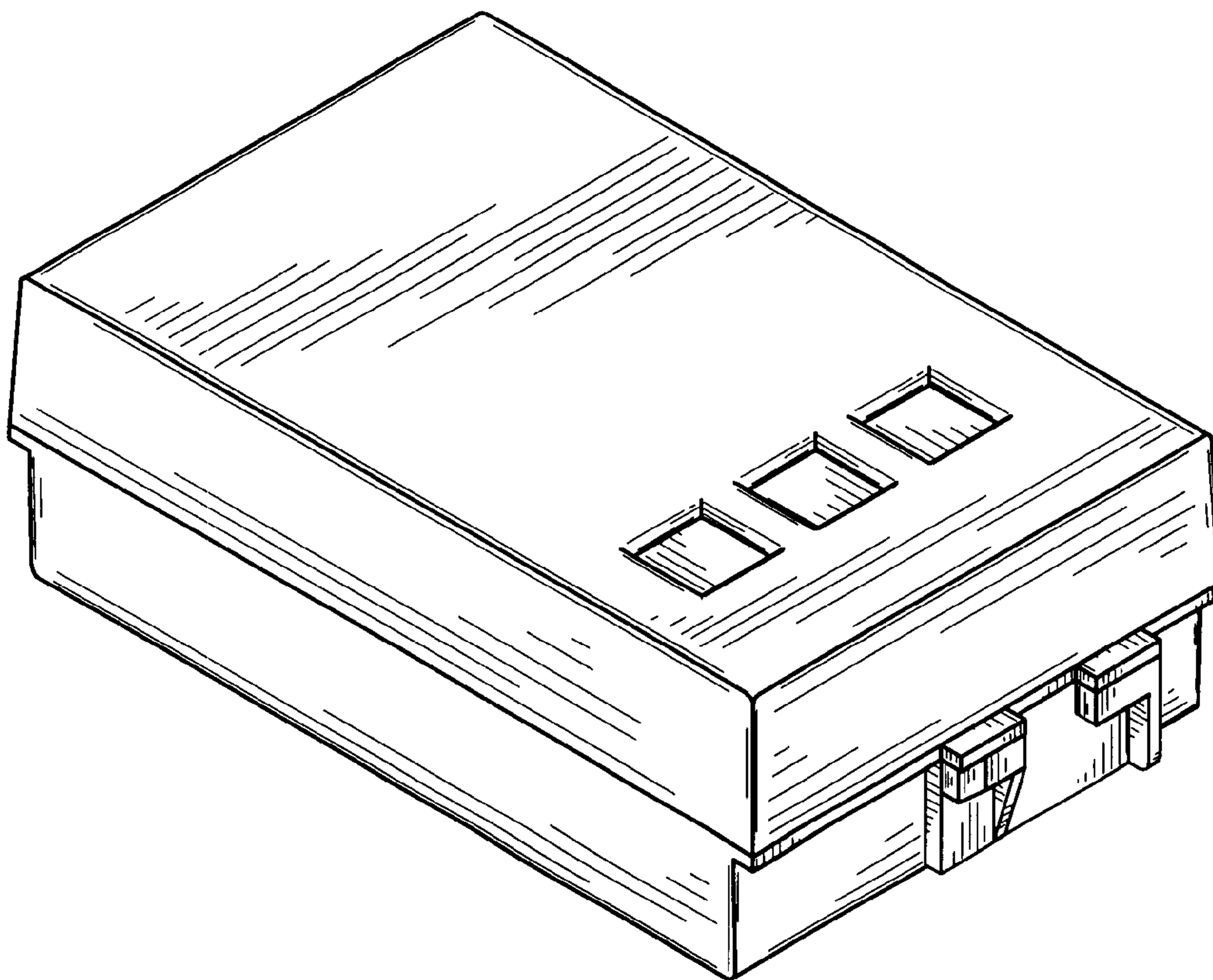
U.S. PATENT DOCUMENTS

- 4,680,527 A * 7/1987 Benenati et al. 429/99
- D348,043 S * 6/1994 Hamilton et al. D13/103
- 5,459,388 A * 10/1995 Illingworth et al. 429/99 X
- D375,482 S * 11/1996 Andrews D13/103
- D381,625 S * 7/1997 Tashiro D13/103
- 6,117,575 A * 9/2000 Dinsdale 429/100 X
- D449,577 S * 10/2001 Nishio et al. D13/103
- 6,326,766 B1 * 12/2001 Small 320/112

FIG. 1 is a top perspective view of a battery showing our
new design;
FIG. 2 is a bottom perspective view thereof;
FIG. 3 is a top plan view thereof;
FIG. 4 is a bottom plan view thereof;
FIG. 5 is a front elevation view thereof;
FIG. 6 is a back elevation view thereof; and,
FIG. 7 is a side elevation view thereof.

The broken lines in FIGS. 1 and 3 are included for the
purpose of illustrating features of the battery that form no
part of the claimed design.

1 Claim, 2 Drawing Sheets



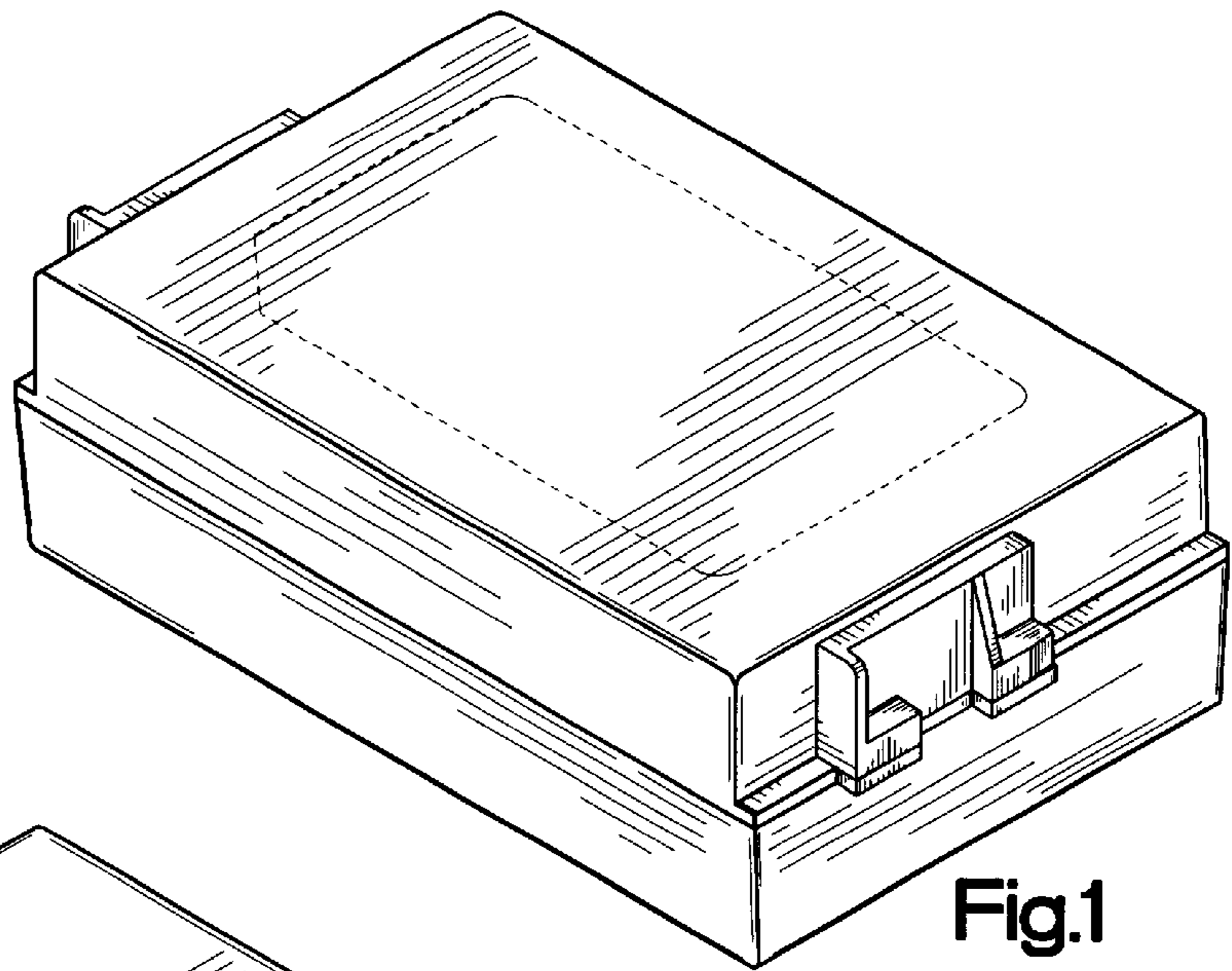


Fig.1

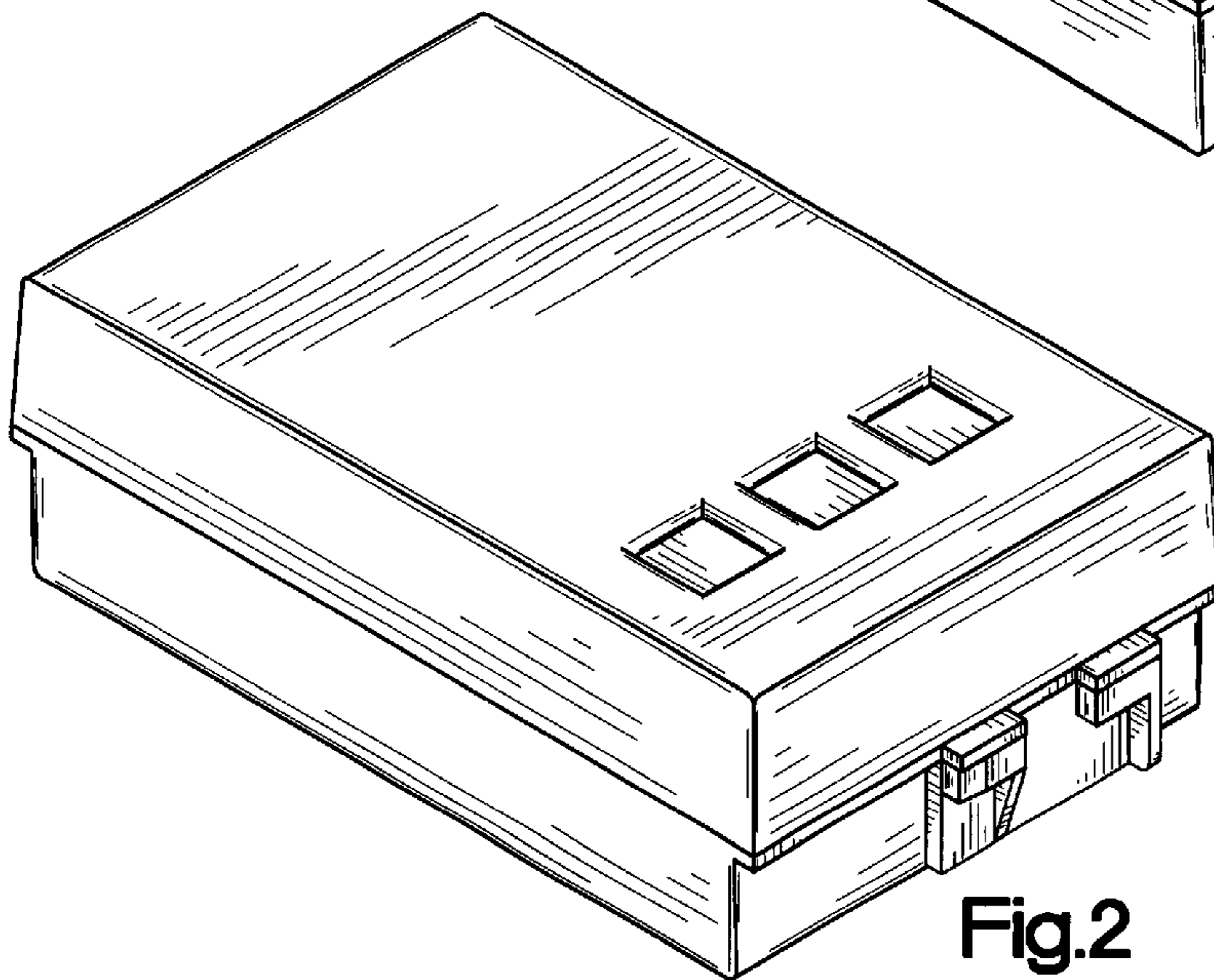


Fig.2

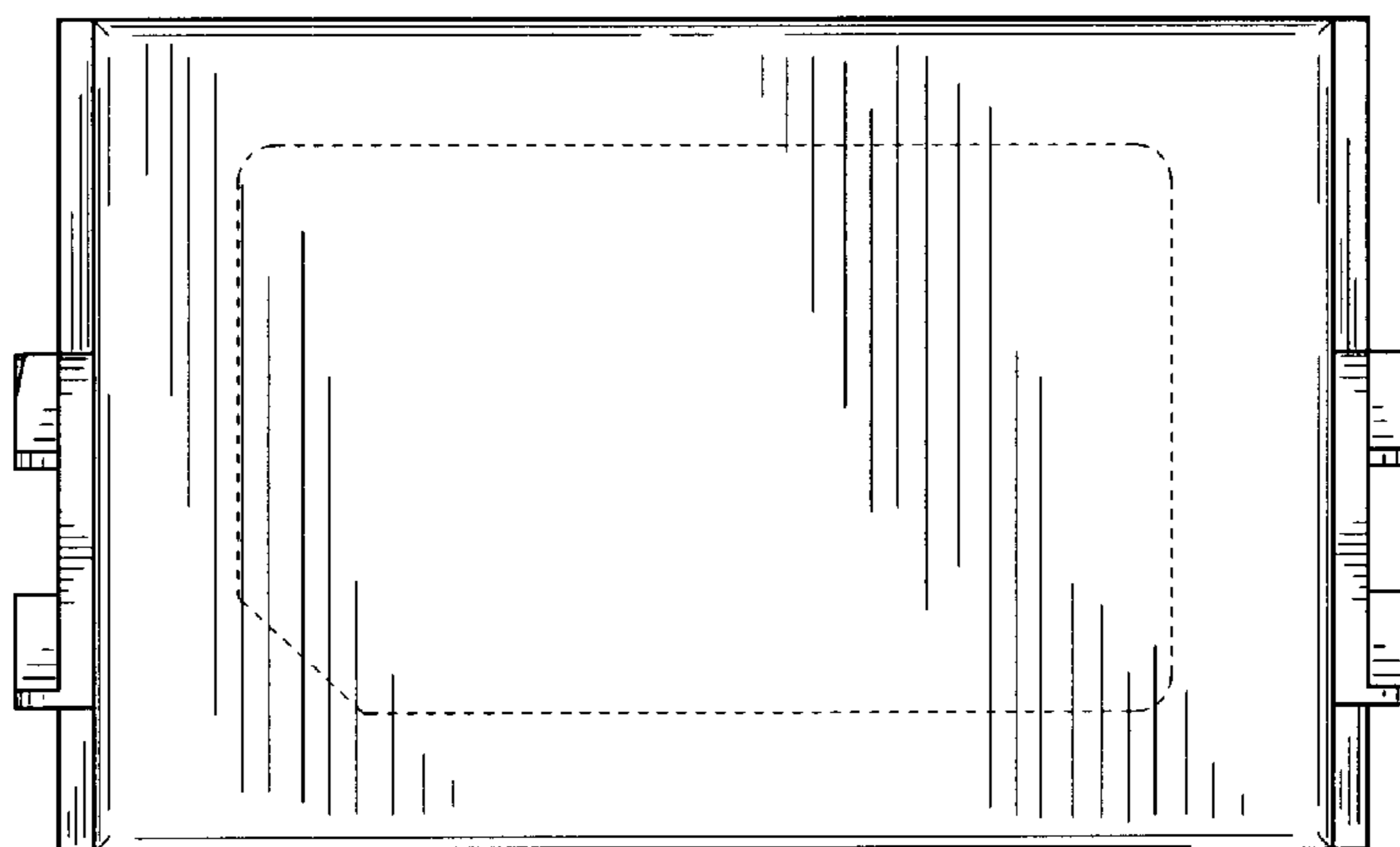


Fig.3

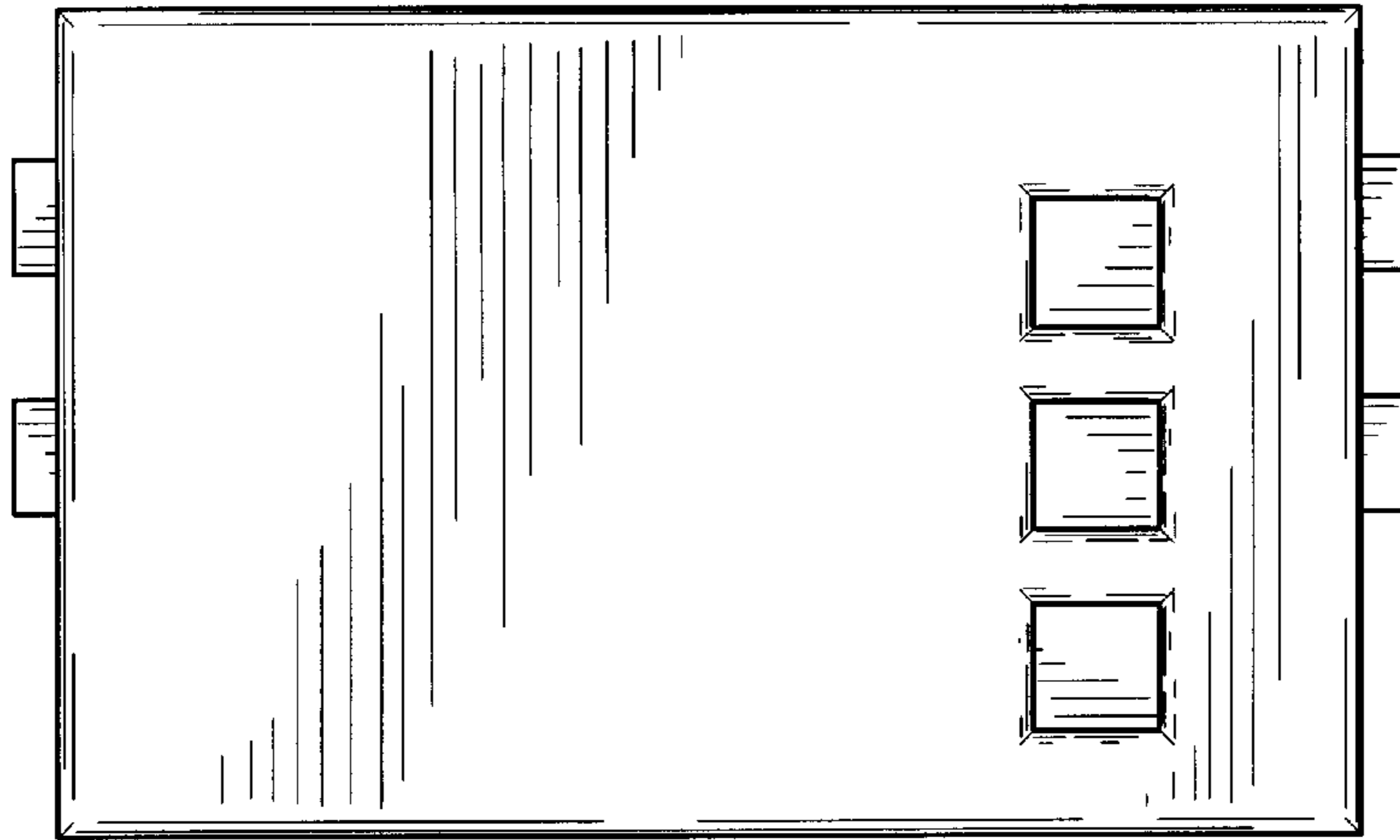


Fig.4

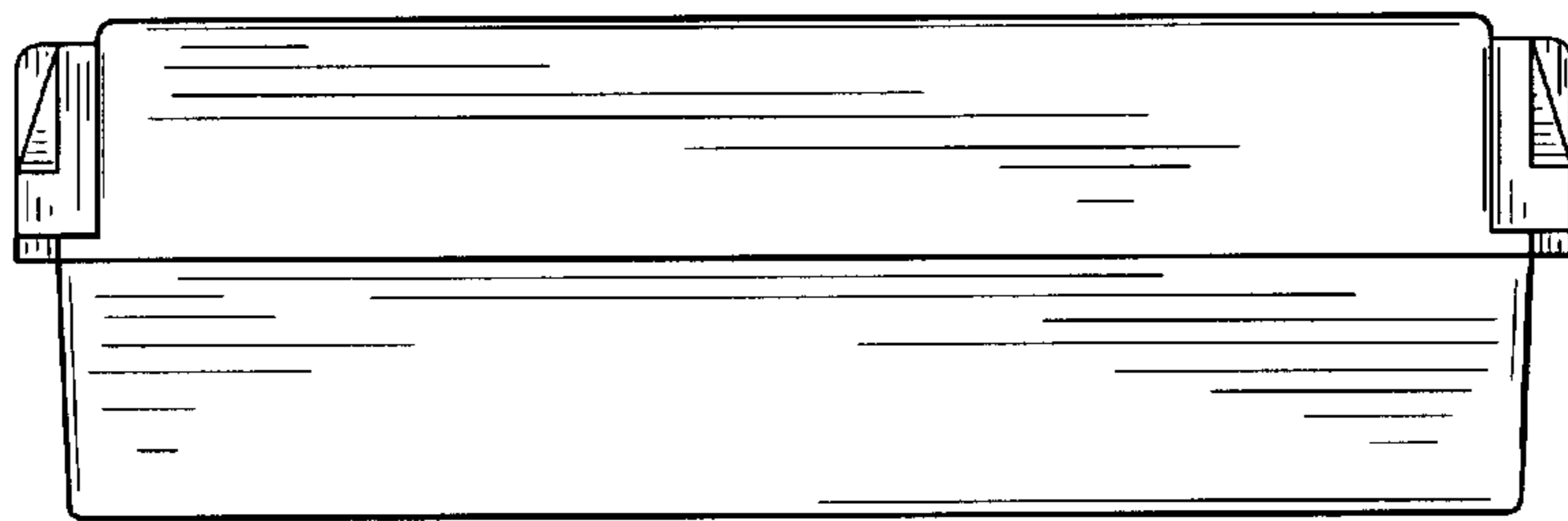


Fig.5

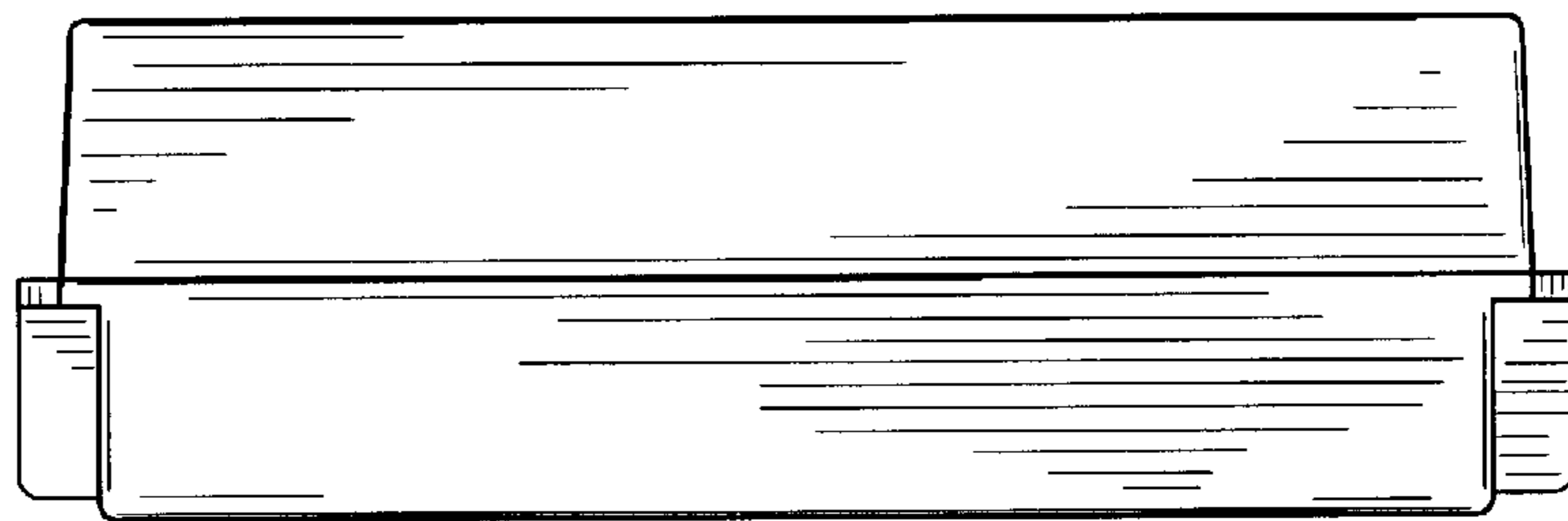


Fig.6

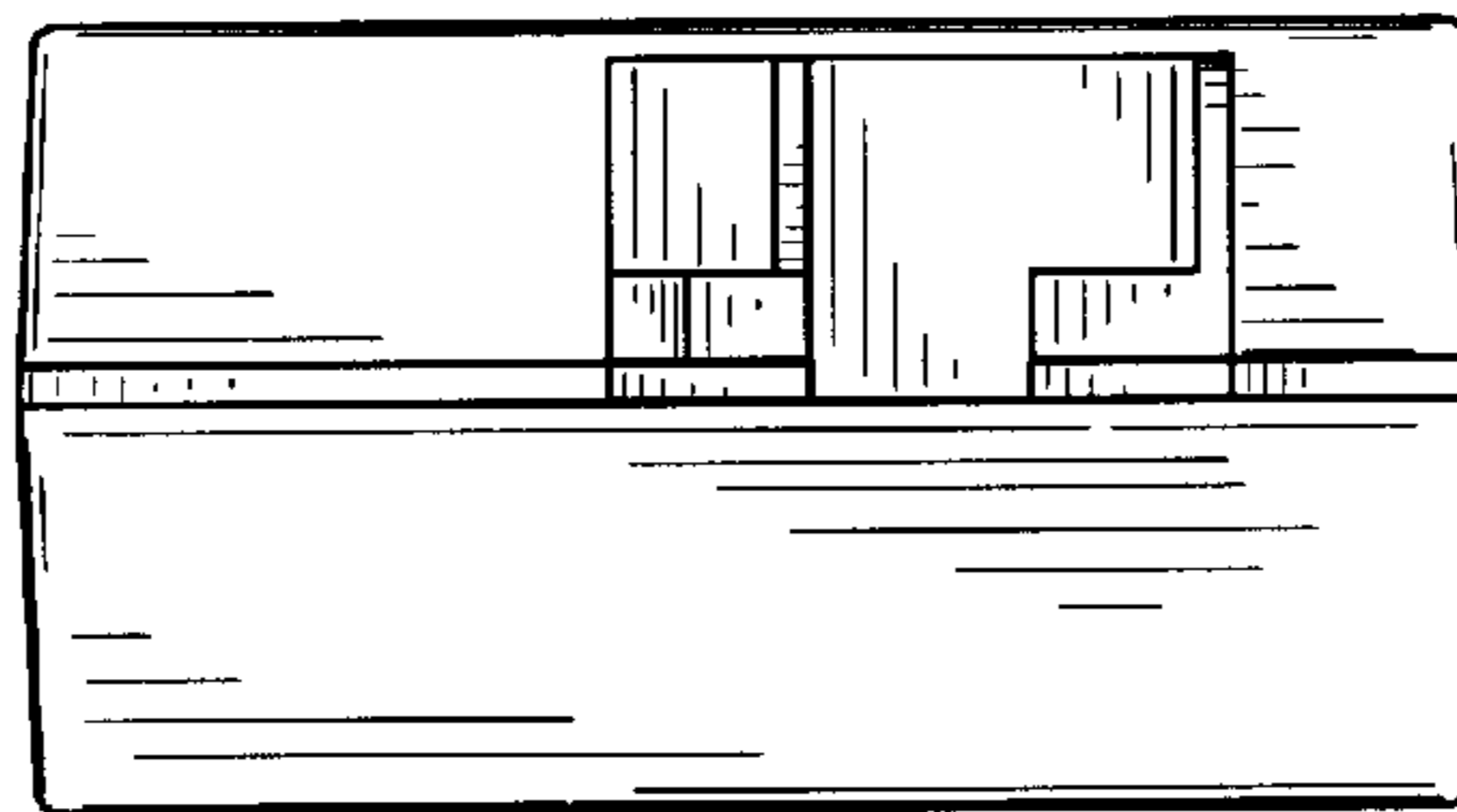


Fig.7