



US00D473173S

(12) **United States Design Patent**  
**Wyszograd**

(10) **Patent No.:** **US D473,173 S**

(45) **Date of Patent:** **\*\* Apr. 15, 2003**

- (54) **CENTER INSTRUMENT PANEL**
- (75) Inventor: **Jose Wyszograd**, Los Angeles, CA  
(US)
- (73) Assignee: **Honda Giken Kogyo Kabushihi Kaisha**, Tokyo (JP)
- (\*\*) Term: **14 Years**
- (21) Appl. No.: **29/152,087**
- (22) Filed: **Dec. 18, 2001**
- (51) **LOC (7) Cl.** ..... **12-16**
- (52) **U.S. Cl.** ..... **D12/192**
- (58) **Field of Search** ..... D12/192, 415;  
D14/157; 180/90; 280/770, 750-752; 296/190-191,  
37.1, 37.8, 70-72; D10/49-51; D23/324-327,  
354, 386-387

- D417,267 S \* 11/1999 Sacco et al. .... D12/192 X
- D424,002 S \* 5/2000 Leschke et al. .... D12/192
- D435,818 S \* 1/2001 Shimizu et al. .... D12/192
- D440,926 S \* 4/2001 Pfeiffer ..... D12/192
- D449,026 S \* 10/2001 Tsay et al. .... D12/192

\* cited by examiner

*Primary Examiner*—Stacia Cadmus

(74) *Attorney, Agent, or Firm*—Banner & Witcoff, Ltd.

(57) **CLAIM**

The ornamental design for a center instrument panel, as shown and described.

**DESCRIPTION**

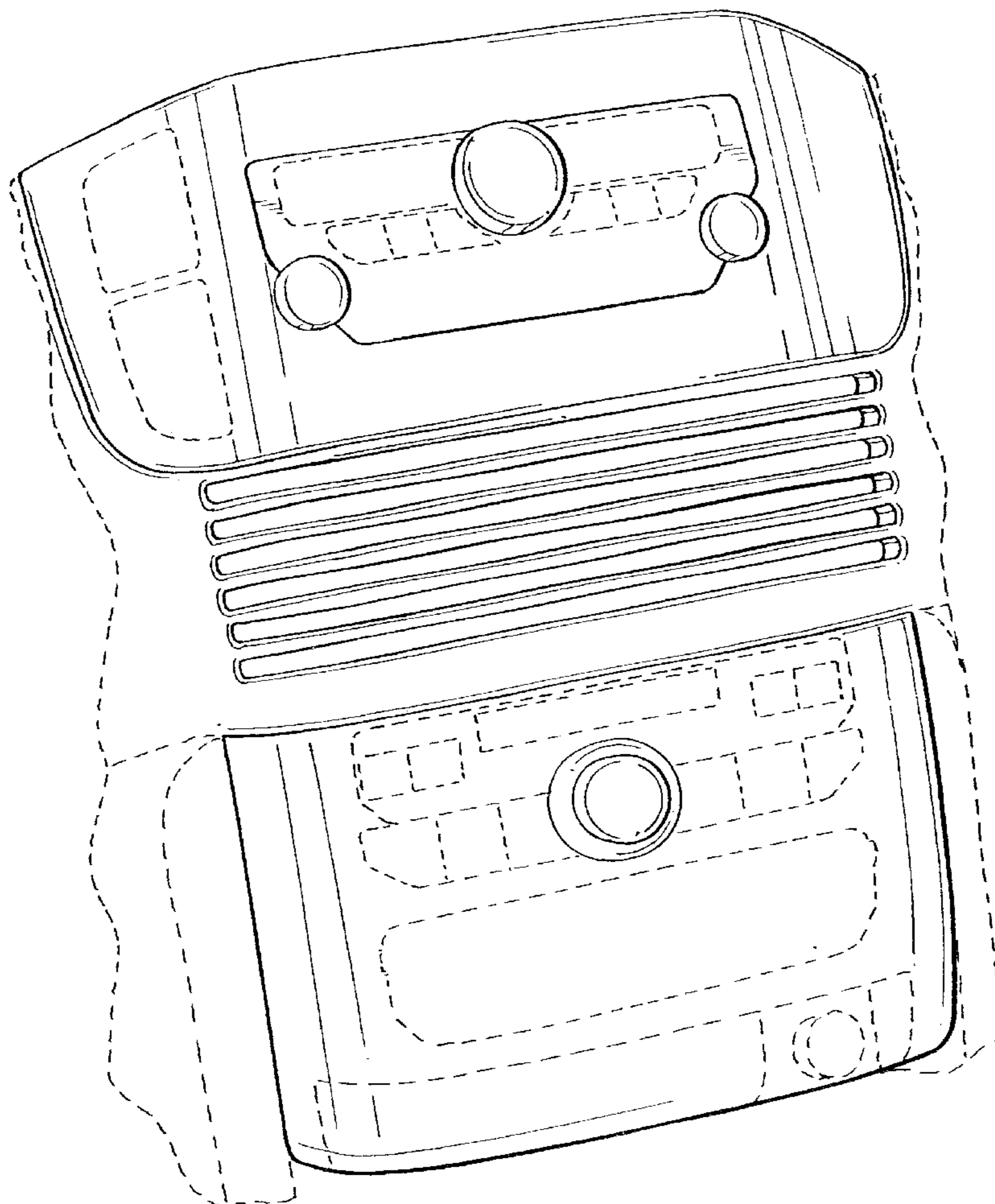
FIG. 1 is a perspective view of one embodiment of an instrument panel showing my new design; and, FIG. 2 is a perspective view of a second embodiment thereof.

The broken line showings of the panel displays, buttons, knobs, and other components are for illustrative purposes only and form no part of the claimed design.

(56) **References Cited**  
**U.S. PATENT DOCUMENTS**

- D369,999 S \* 5/1996 Sacco et al. .... D12/192
- D401,545 S \* 11/1998 Sacco et al. .... D12/192

**1 Claim, 2 Drawing Sheets**



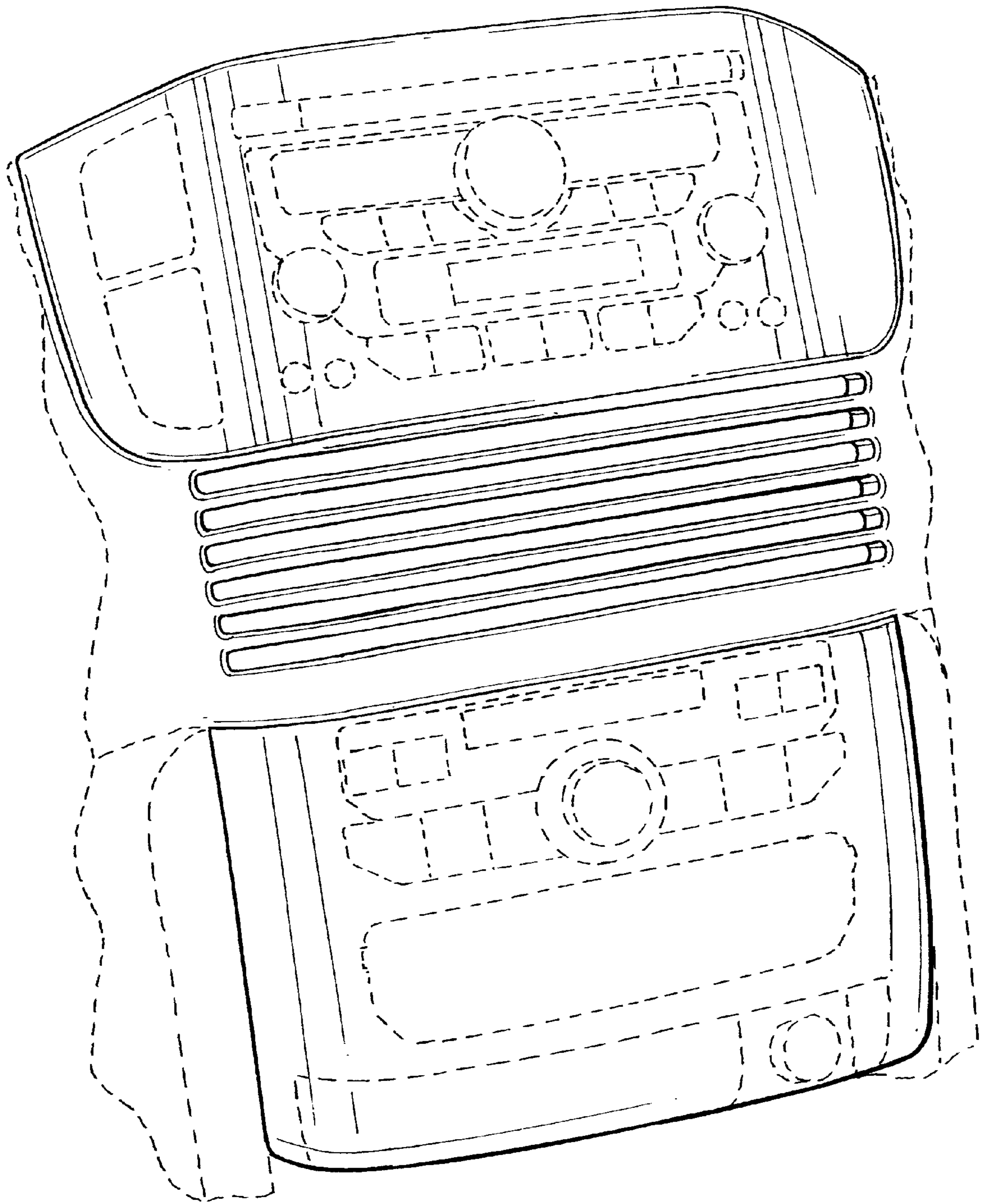


FIG. 1

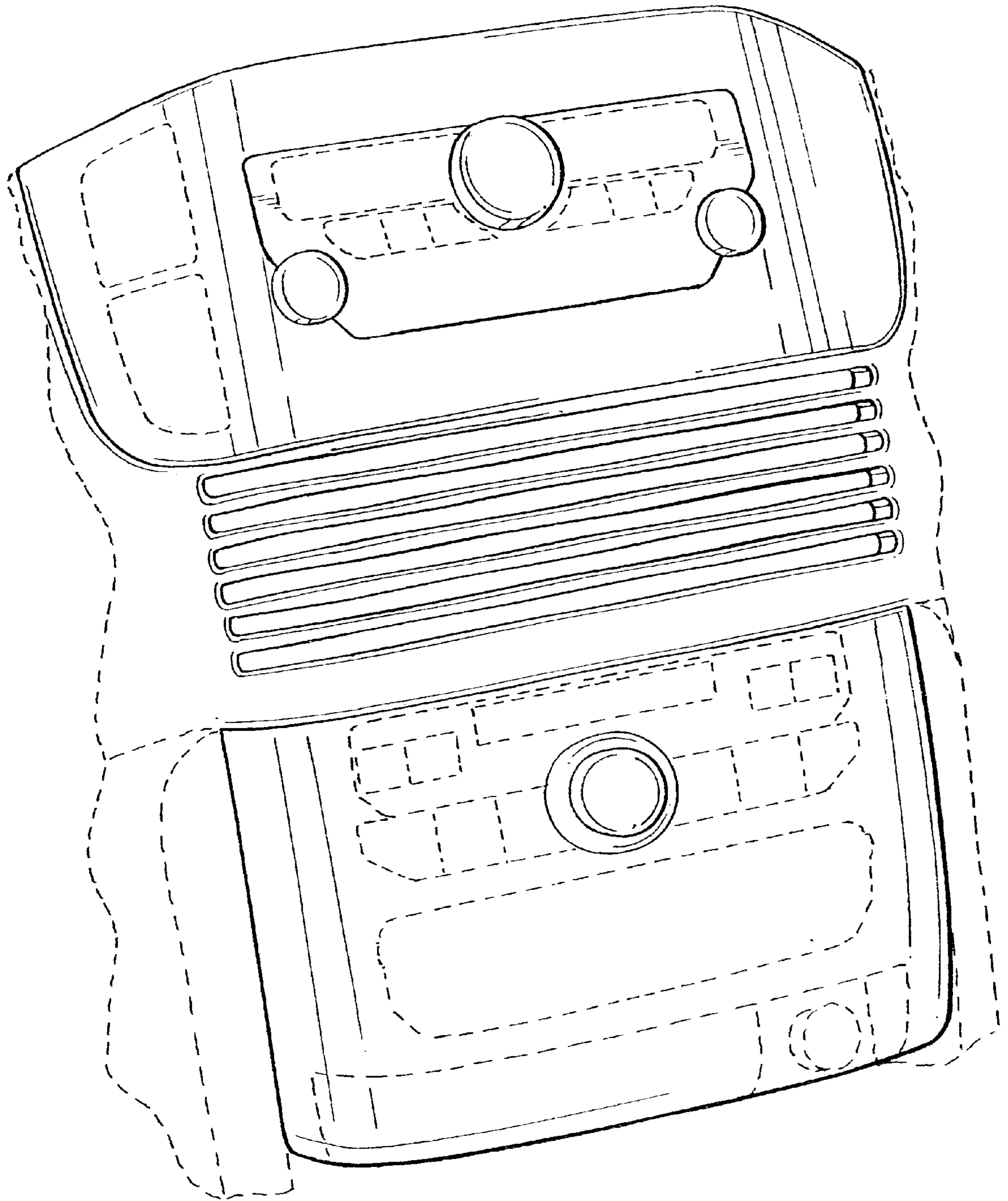


FIG. 2