



US00D473170S

(12) **United States Design Patent**
Crane

(10) **Patent No.:** **US D473,170 S**

(45) **Date of Patent:** **** Apr. 15, 2003**

(54) **MOUNTABLE SERVING TRAY FOR STEERING WHEEL**

D437,273 S * 2/2001 Chen D12/177

* cited by examiner

(76) **Inventor:** **John Albert Crane**, 671 Roselawn Ave., Woodstock, ON (CA), N4S 5S6

Primary Examiner—Melody N. Brown

(**) **Term:** **14 Years**

(57) **CLAIM**

The ornamental design for a mountable serving tray for steering wheel, as shown and described.

(21) **Appl. No.:** **29/163,829**

DESCRIPTION

(22) **Filed:** **Jul. 11, 2002**

(51) **LOC (7) Cl.** **12-16**

FIG. 1 is a front elevational view of a mountable serving tray for steering wheel showing my new design;
FIG. 2 is a rear elevational view thereof;
FIG. 3 is a side view, taken from the left side of FIG. 1, the right side view being a mirror image thereof;
FIG. 4 is a top plan view thereof;
FIG. 5 is a bottom plan view thereof; and,
FIG. 6 is a perspective view thereof.

(52) **U.S. Cl.** **D12/177**

(58) **Field of Search** D12/177, 175;
D6/406; 74/558, 558.5; 224/271

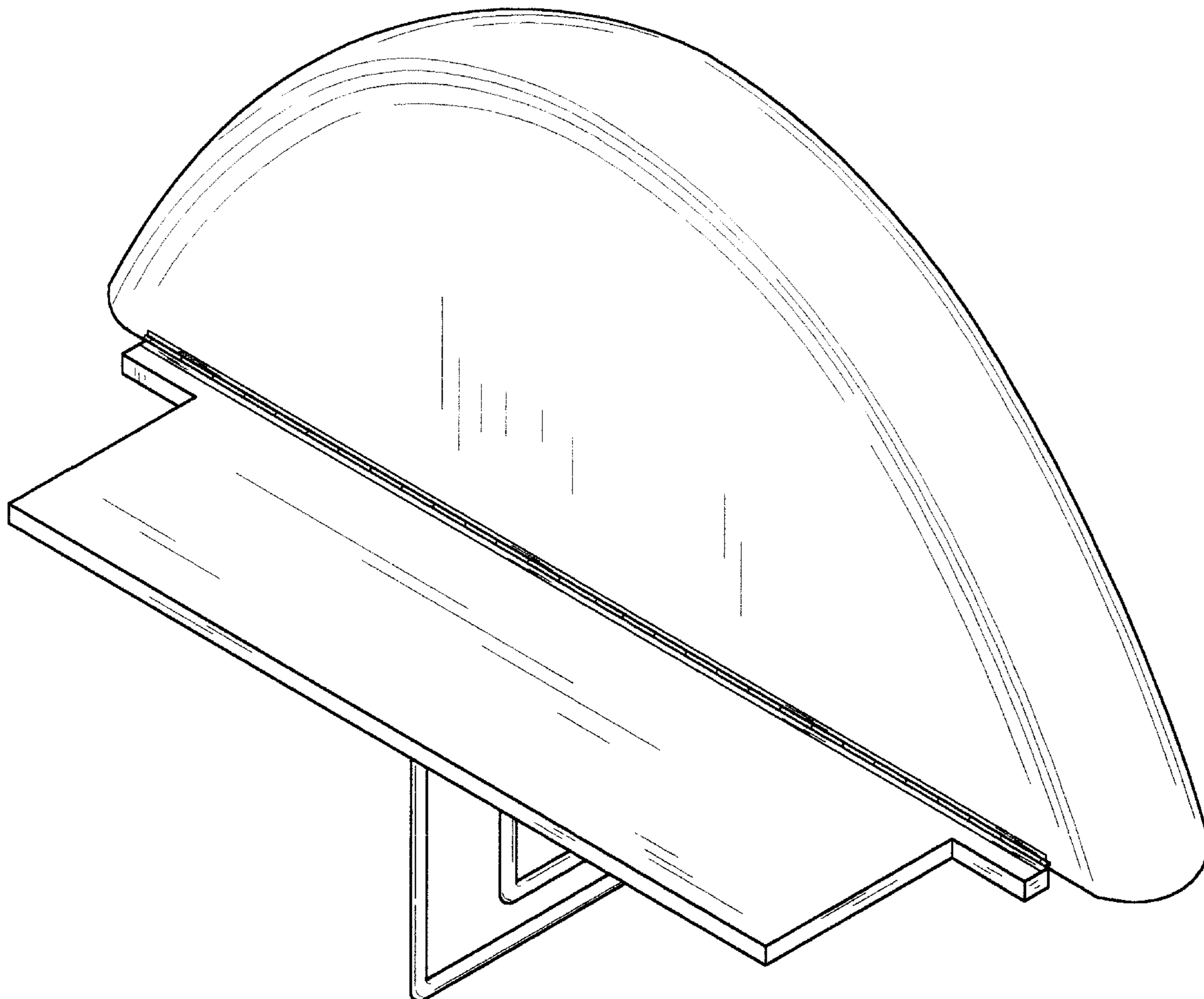
(56) **References Cited**

U.S. PATENT DOCUMENTS

D292,445 S * 10/1987 Judge D12/177

D401,544 S * 11/1998 Corsetti D12/177

1 Claim, 5 Drawing Sheets



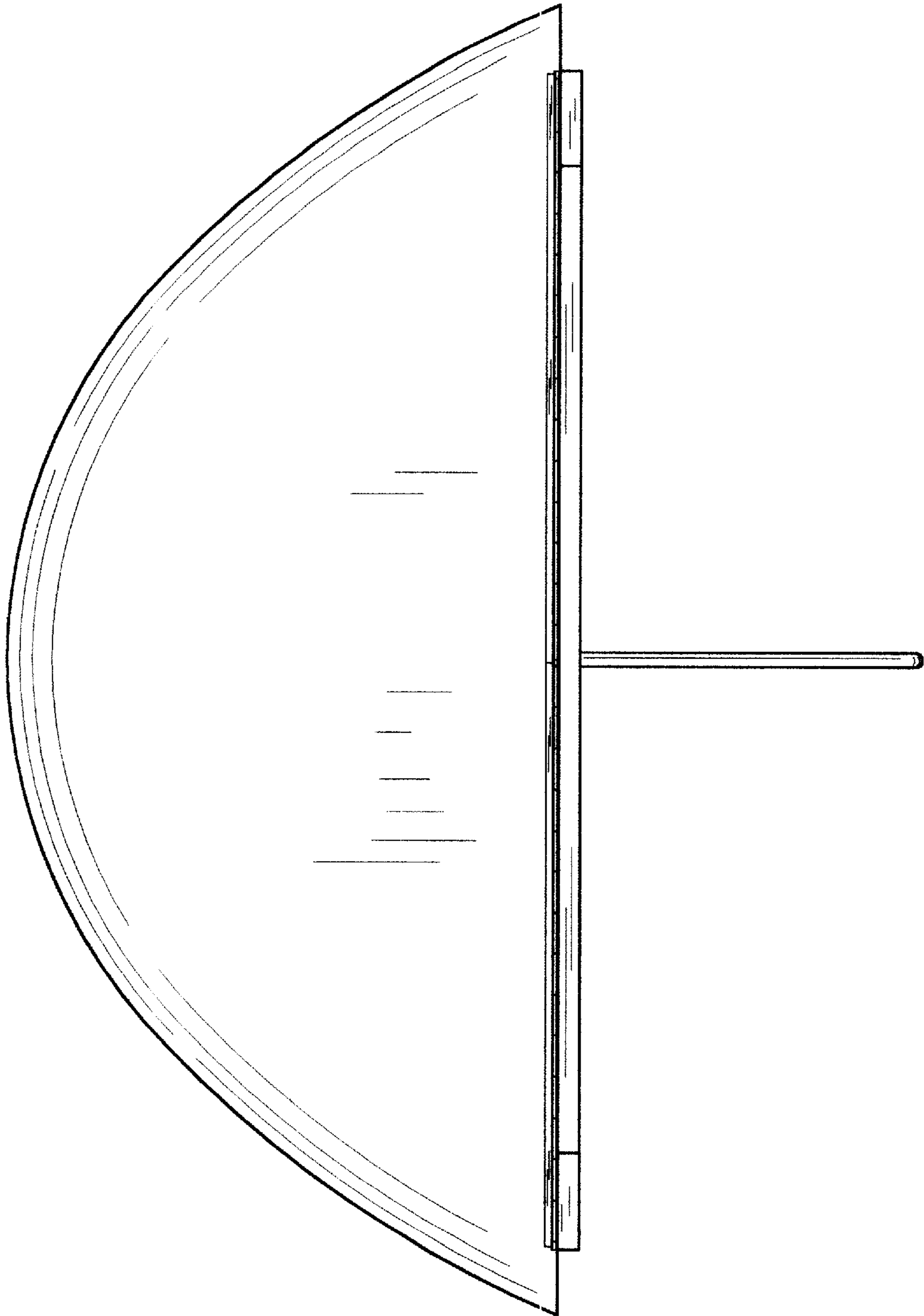


FIG. 1

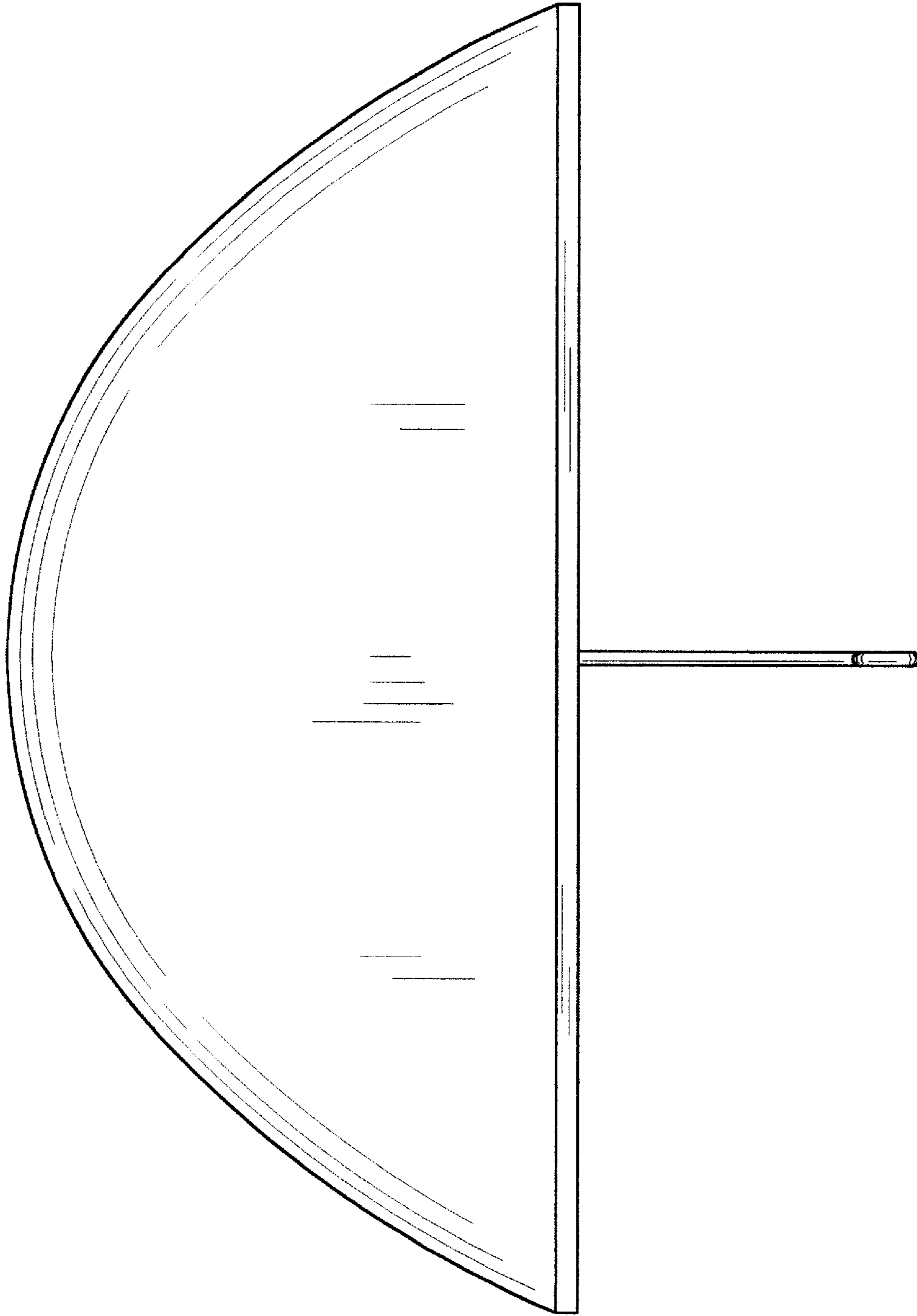


FIG. 2

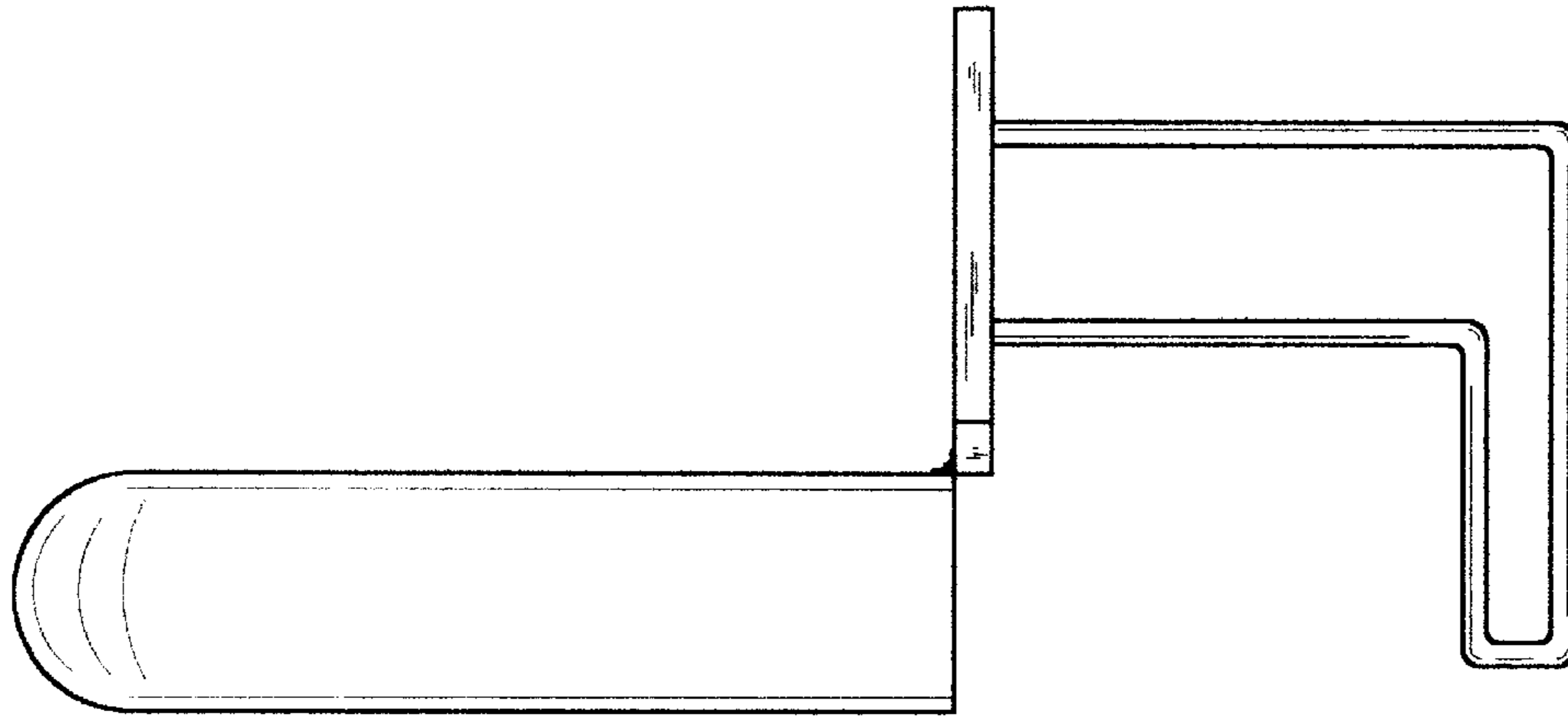


FIG. 3

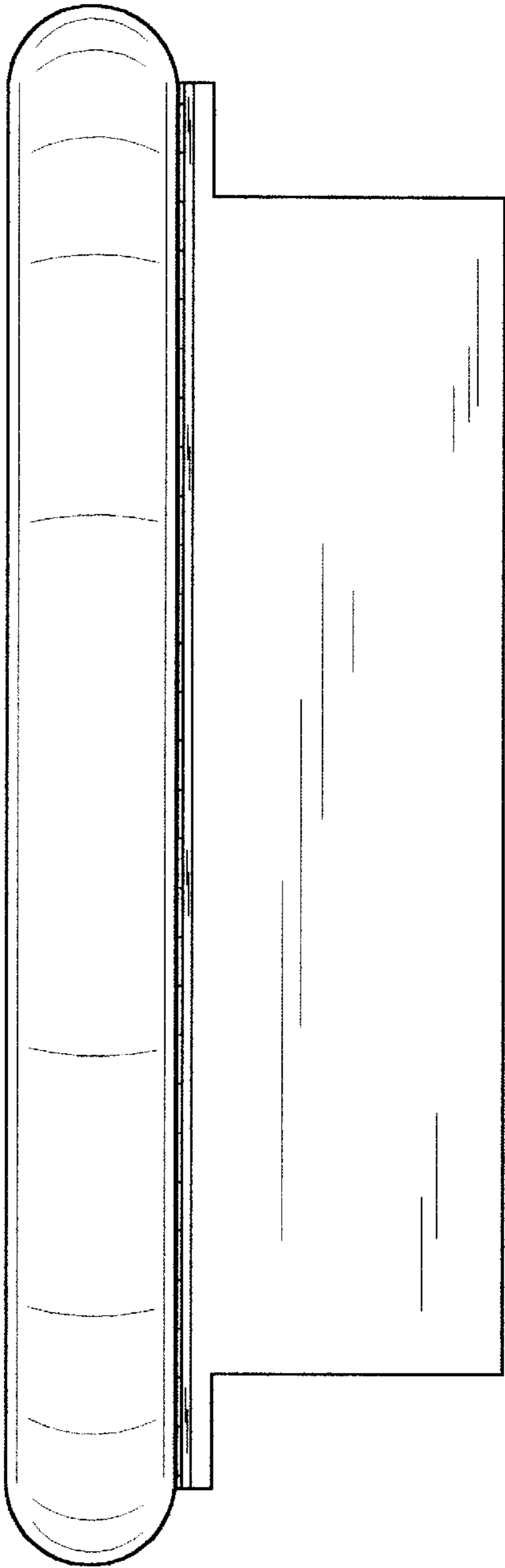


FIG. 4

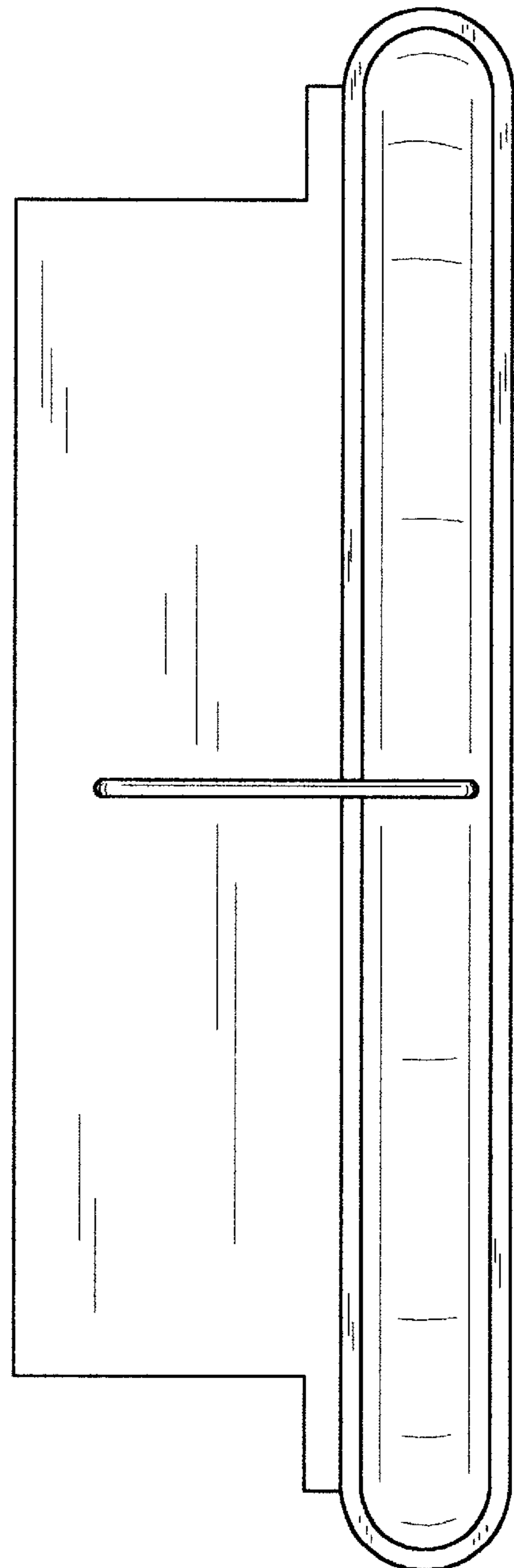


FIG. 5

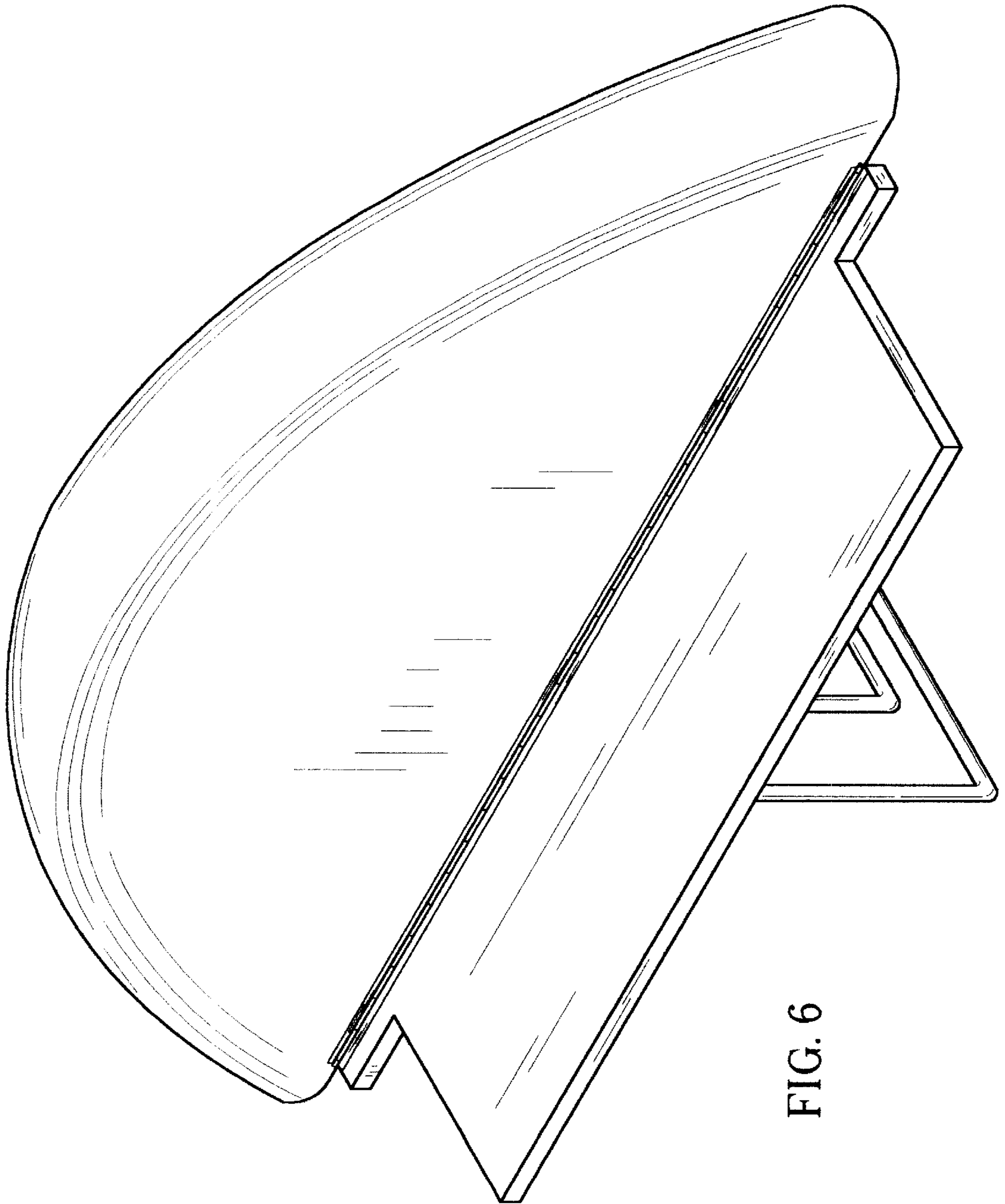


FIG. 6