



US00D473168S

(12) **United States Design Patent**
Hayashi

(10) **Patent No.:** **US D473,168 S**

(45) **Date of Patent:** **** Apr. 15, 2003**

(54) **BUMPER**

(75) Inventor: **Keishi Hayashi**, Kanagawa (JP)

(73) Assignee: **Isuzu Motors Limited**, Tokyo (JP)

(**) Term: **14 Years**

(21) Appl. No.: **29/162,004**

(22) Filed: **Jun. 5, 2002**

(51) **LOC (7) Cl.** **12-16**

(52) **U.S. Cl.** **D12/169**

(58) **Field of Search** D12/169, 196,
D12/90-92; 293/113, 115, 117, 120; 296/180.1,
180.2

(56) **References Cited**

U.S. PATENT DOCUMENTS

D372,695 S	*	8/1996	Nagashima	D12/169
D436,067 S	*	1/2001	Okano et al.	D12/169
D462,640 S	*	9/2002	Sakae	D12/169
D463,334 S	*	9/2002	Homan	D12/169

* cited by examiner

Primary Examiner—Melody N. Brown

(74) *Attorney, Agent, or Firm*—Frommer Lawrence & Haug LLP; Grace L. Pan

(57) **CLAIM**

The ornamental design for bumper, as shown and described.

DESCRIPTION

FIG. 1 is a front view of a bumper in accordance with the present invention as shown in the present design.

FIG. 2 is a rear view of the bumper thereof;

FIG. 3 is a top plan view of the bumper thereof;

FIG. 4 is bottom view of the bumper thereof;

FIG. 5 is a right side view of the bumper thereof, a left side view being a mirror image of FIG. 5;

FIG. 6 is a perspective view of the front and right side of the bumper of FIG. 1; and,

FIG. 7 is a perspective view of the rear and right side of the bumper of FIG. 1.

1 Claim, 4 Drawing Sheets

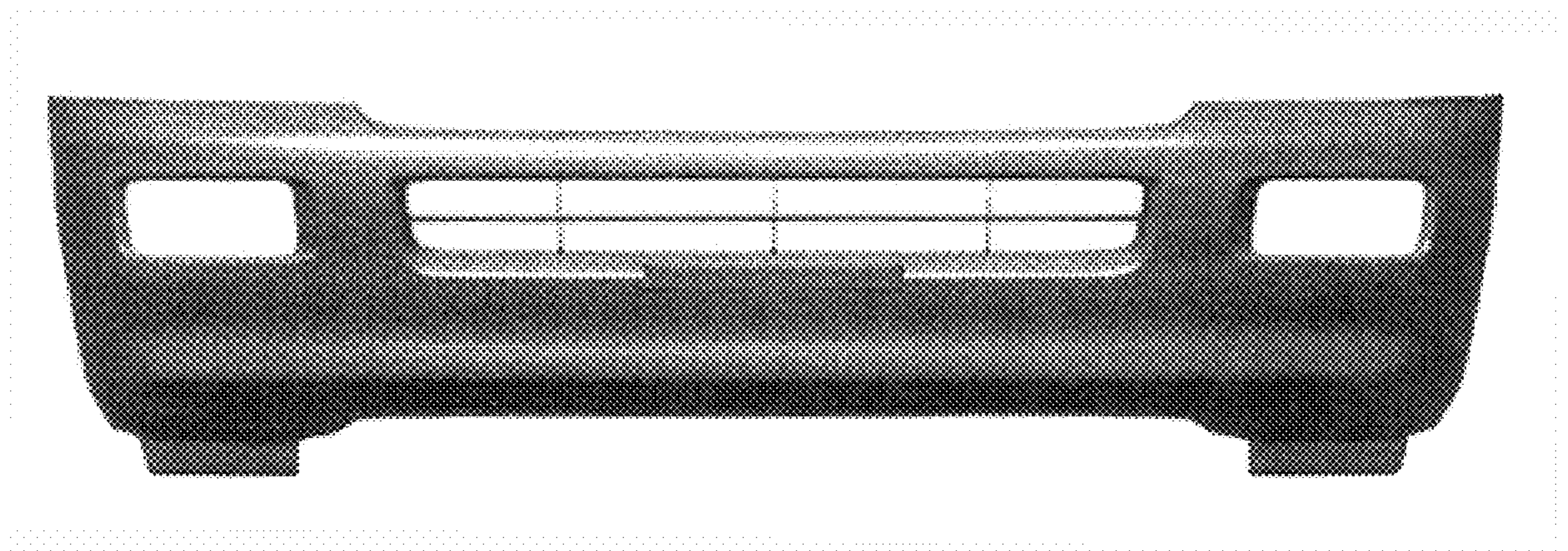


Fig. 1

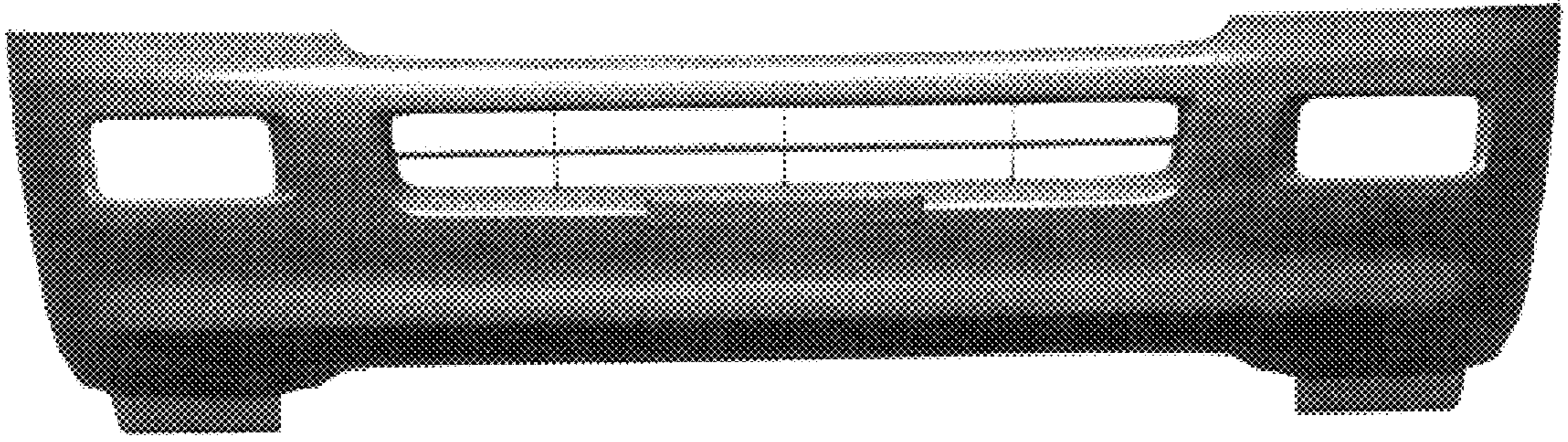


Fig. 2

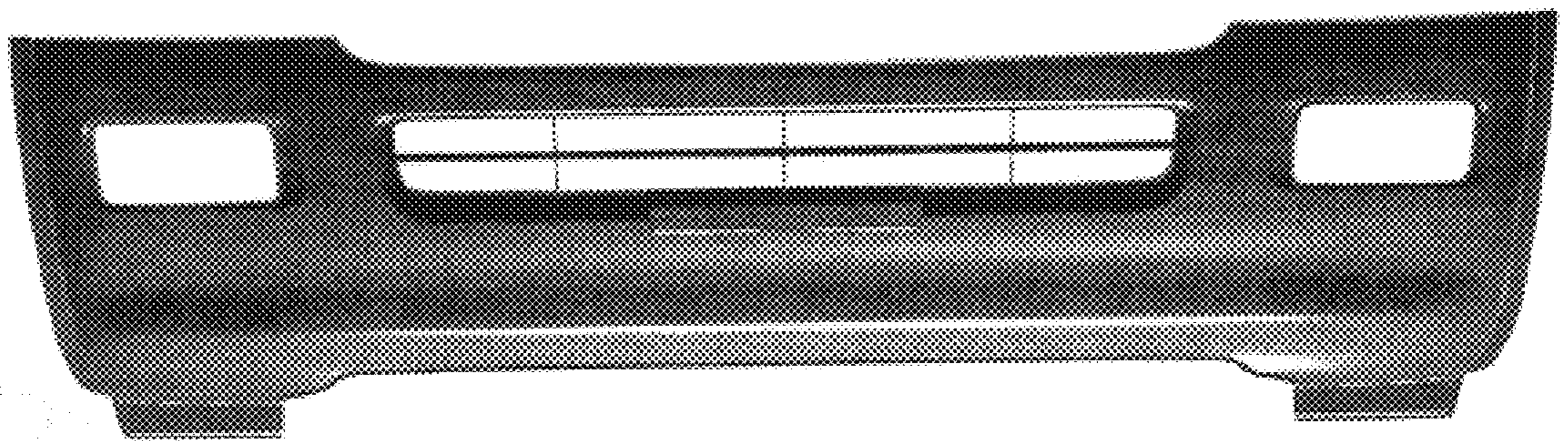


Fig. 3

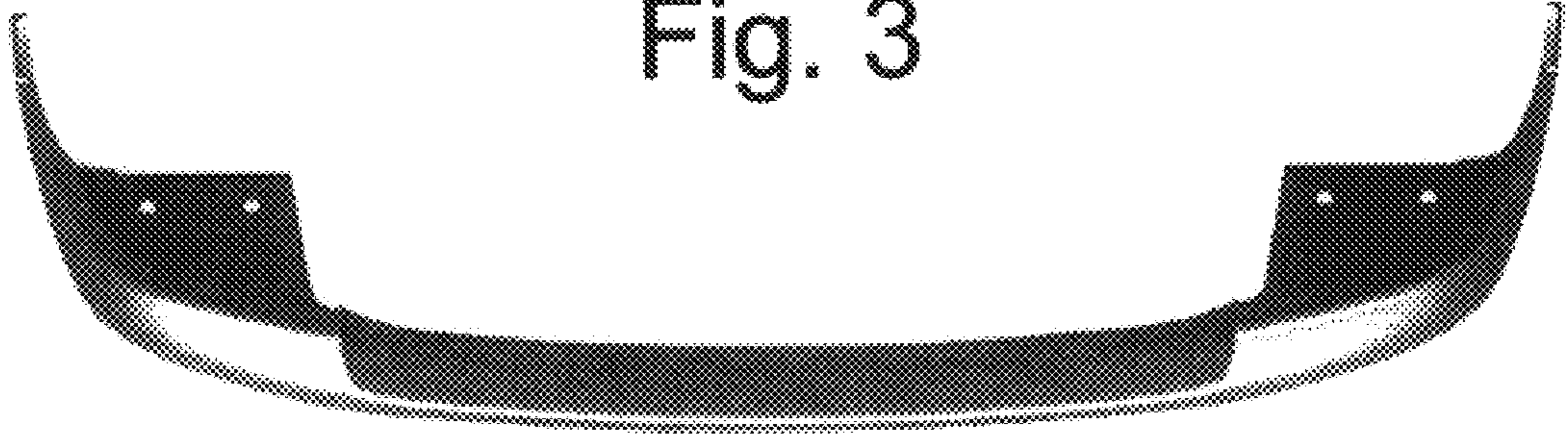


Fig. 4

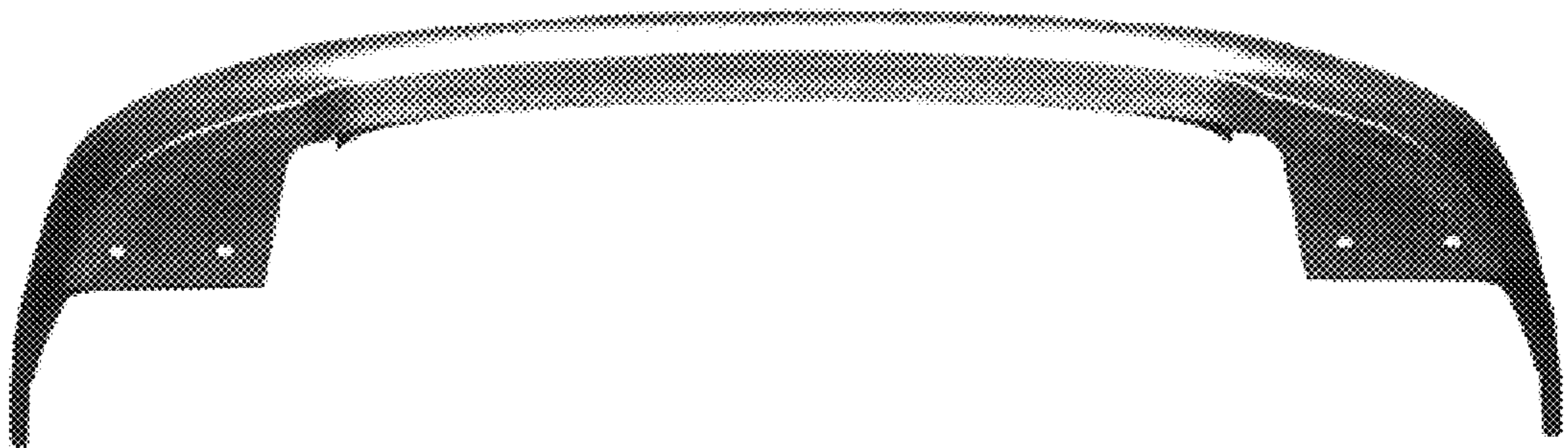


Fig. 5

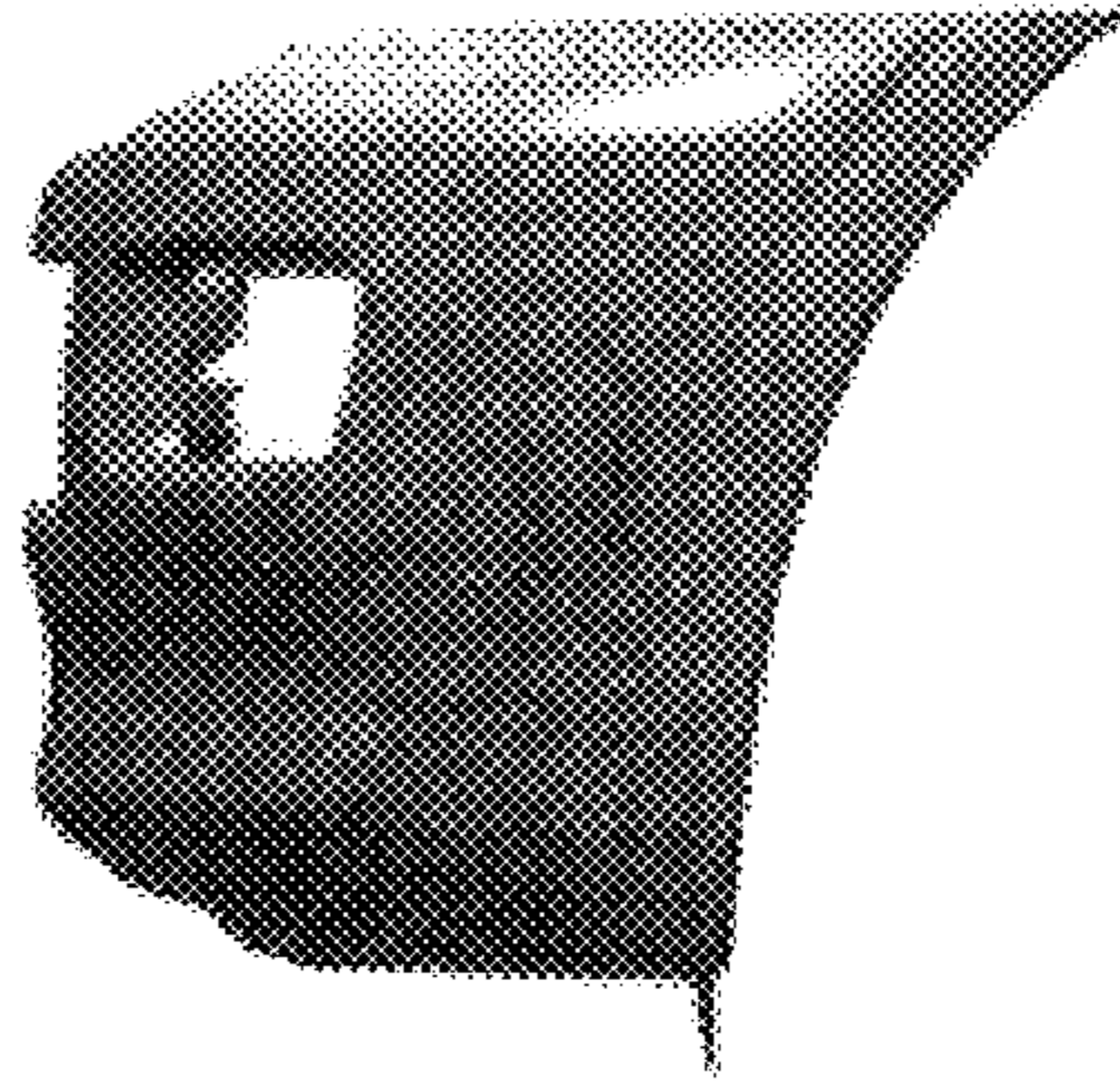


Fig. 6

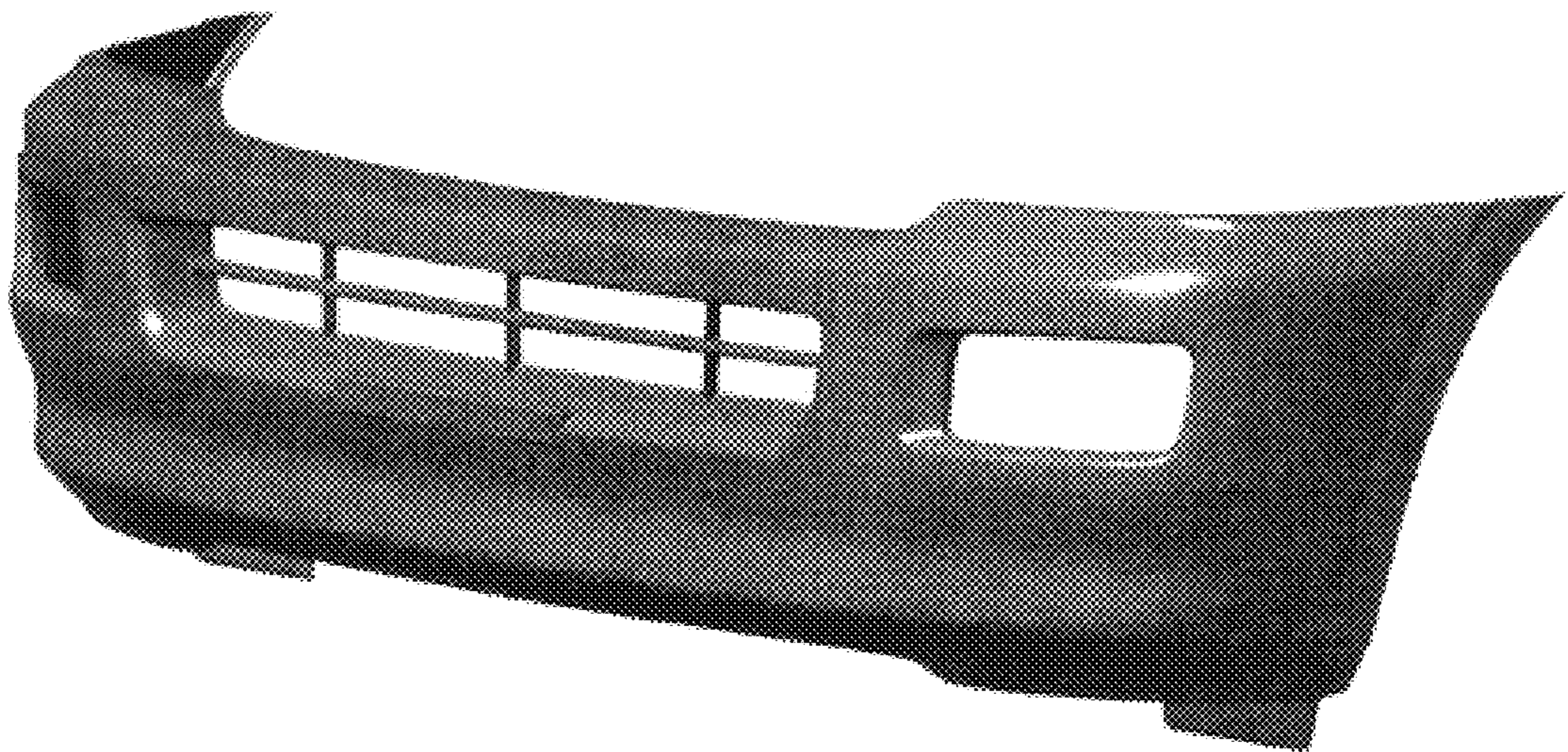


Fig. 7

