



US00D473165S

(12) **United States Design Patent**
Djordjevic

(10) **Patent No.:** **US D473,165 S**

(45) **Date of Patent:** **** Apr. 15, 2003**

(54) **SURFACE CONFIGURATION OF A VEHICLE, TOY AND MISCELLANEOUS CONSUMER PRODUCTS INCORPORATING THE DESIGN**

(75) **Inventor:** **Marek Djordjevic**, Los Angeles, CA (US)

(73) **Assignee:** **Bayerische Motoren Werke Aktiengesellschaft**, Munich (DE)

(**) **Term:** **14 Years**

(21) **Appl. No.:** **29/162,629**

(22) **Filed:** **Jun. 20, 2002**

(30) **Foreign Application Priority Data**

Dec. 21, 2001 (DE) 401 11 247

(51) **LOC (7) Cl.** **12-08**

(52) **U.S. Cl.** **D12/91**

(58) **Field of Search** D12/86, 90-92;
296/185

(56) **References Cited**

U.S. PATENT DOCUMENTS

D446,752 S * 8/2001 Akashi et al. D2/91
D453,713 S * 2/2002 McMahan et al. D12/91
D460,930 S * 7/2002 Fujita D12/92

FOREIGN PATENT DOCUMENTS

DE M9007102 9/1991

* cited by examiner

Primary Examiner—Melody N. Brown

(74) *Attorney, Agent, or Firm*—Crowell & Moring LLP

(57) **CLAIM**

The ornamental design for a surface configuration of a vehicle, toy and miscellaneous consumer products incorporating the design, as shown and described.

DESCRIPTION

FIG. 1 is a left, front perspective view of a surface configuration of a vehicle, toy and miscellaneous consumer products incorporating the design according to my novel design, the right, front perspective view being mirror symmetrical; FIG. 2 is a left, rear perspective view of the surface configuration of a vehicle, toy and miscellaneous consumer products incorporating the design according to my novel design, the right, rear perspective view being mirror symmetrical;

FIG. 3 is a right side view of the surface configuration of a vehicle, toy and miscellaneous consumer products incorporating the design according to my novel design;

FIG. 4 is a left side view of the surface configuration of a vehicle, toy and miscellaneous consumer products incorporating the design according to my novel design;

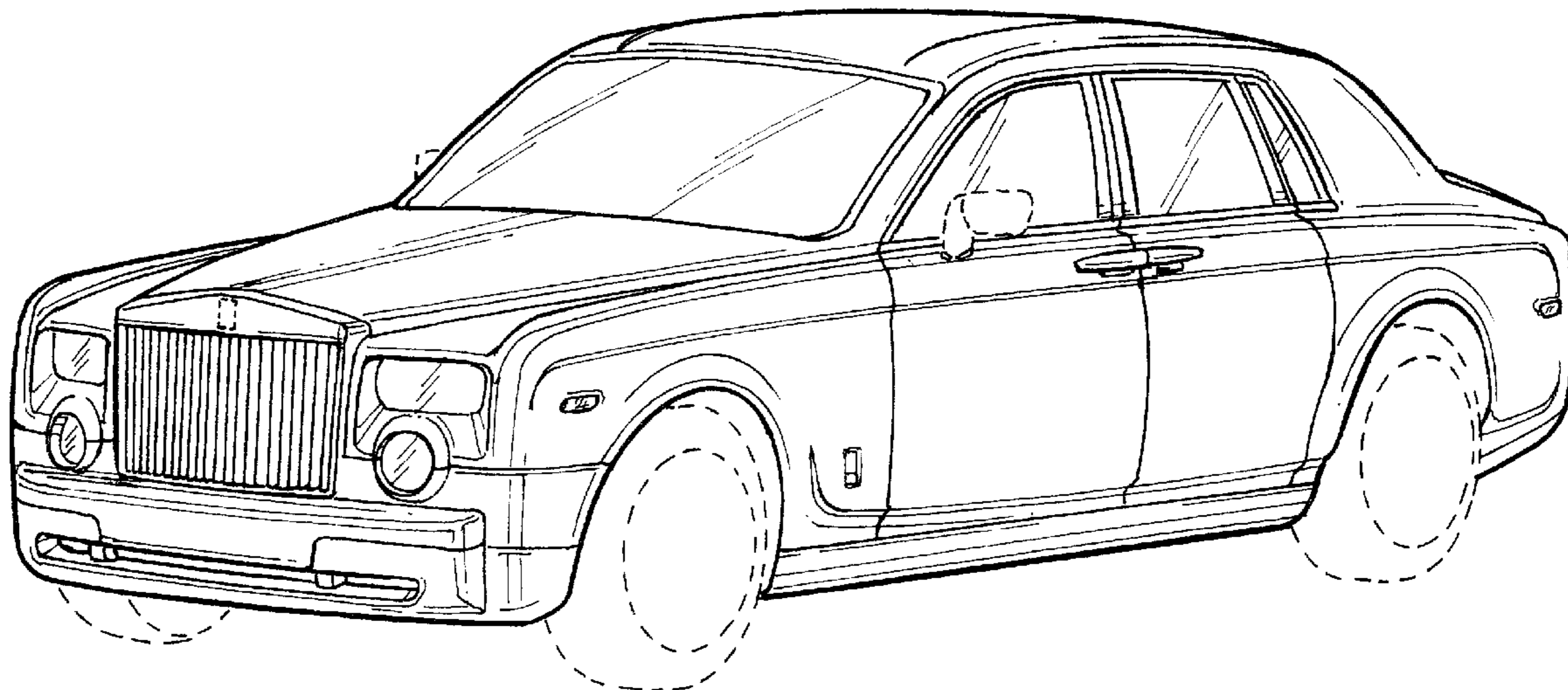
FIG. 5 is a front view of the surface configuration of a vehicle, toy and miscellaneous consumer products incorporating the design according to my novel design;

FIG. 6 is a rear view of the surface configuration of a vehicle, toy and miscellaneous consumer products incorporating the design according to my novel design; and,

FIG. 7 is a top view of the surface configuration of a vehicle, toy and miscellaneous consumer products incorporating the design according to my novel design.

The broken lines included depict environment and are not part of the claimed design.

1 Claim, 4 Drawing Sheets



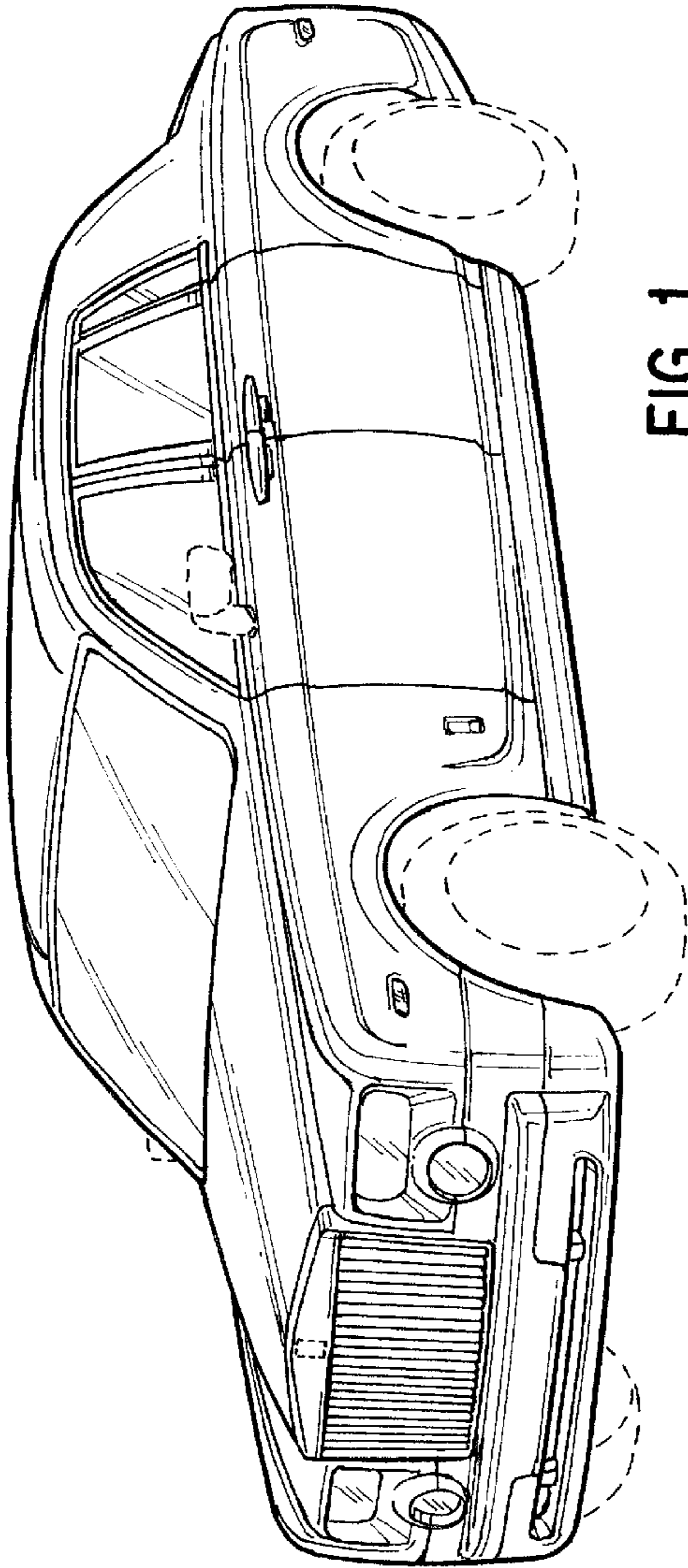


FIG. 1

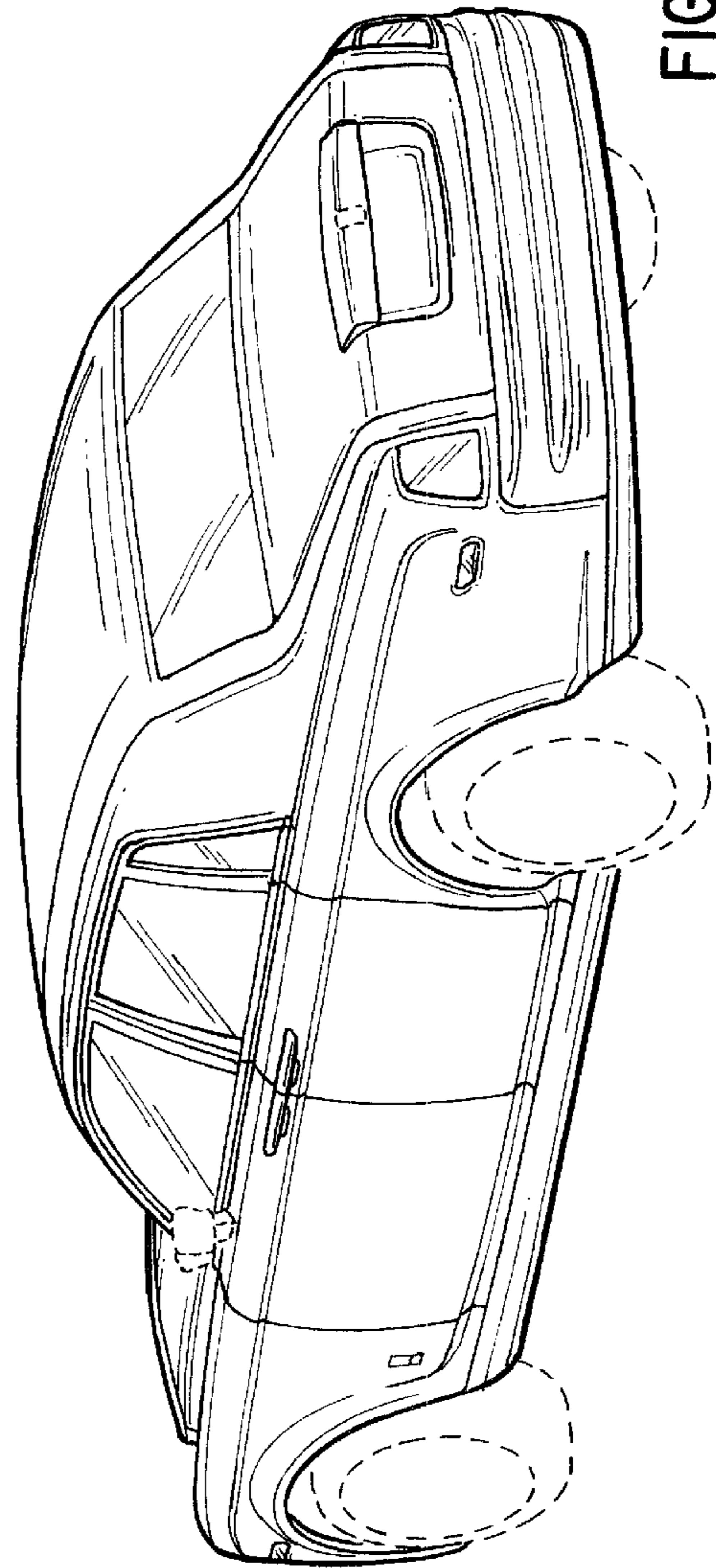


FIG. 2

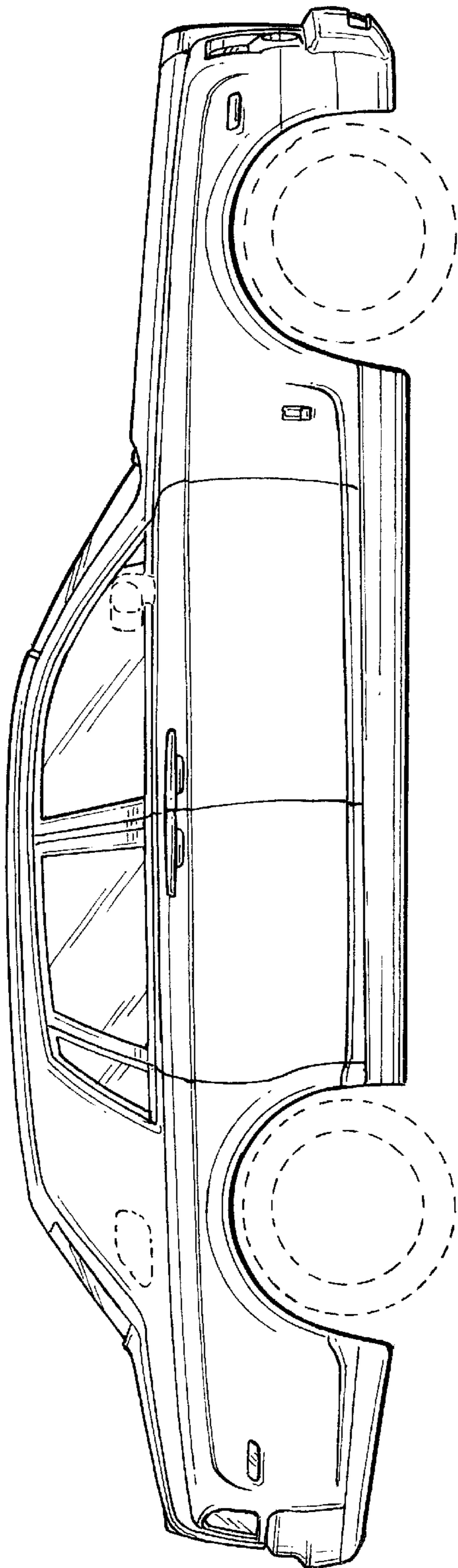


FIG. 3

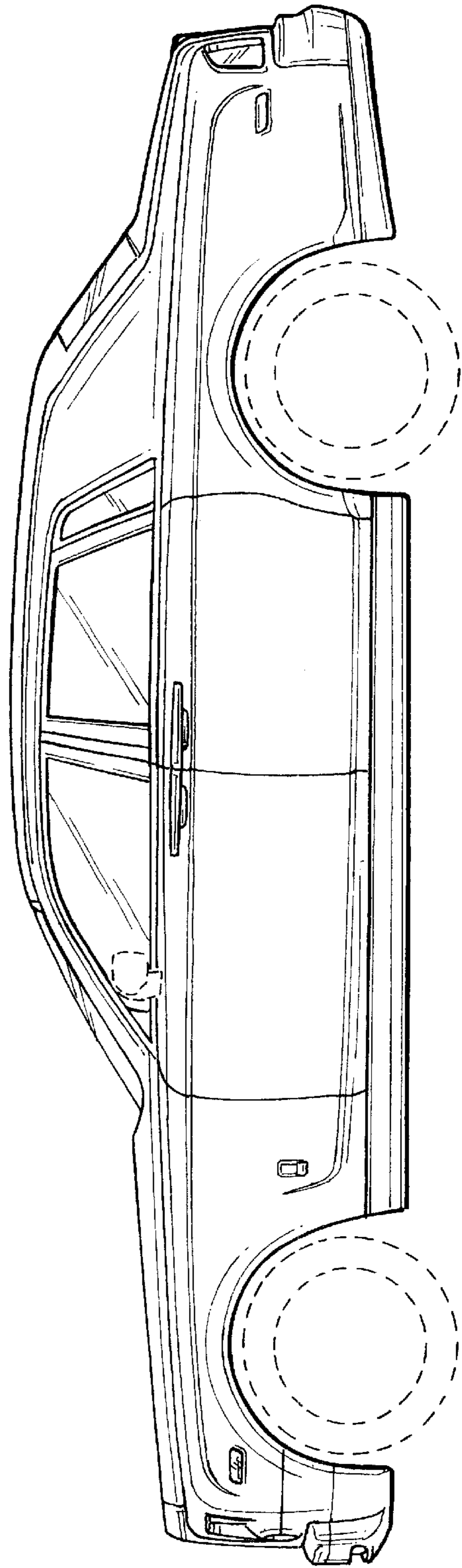


FIG. 4

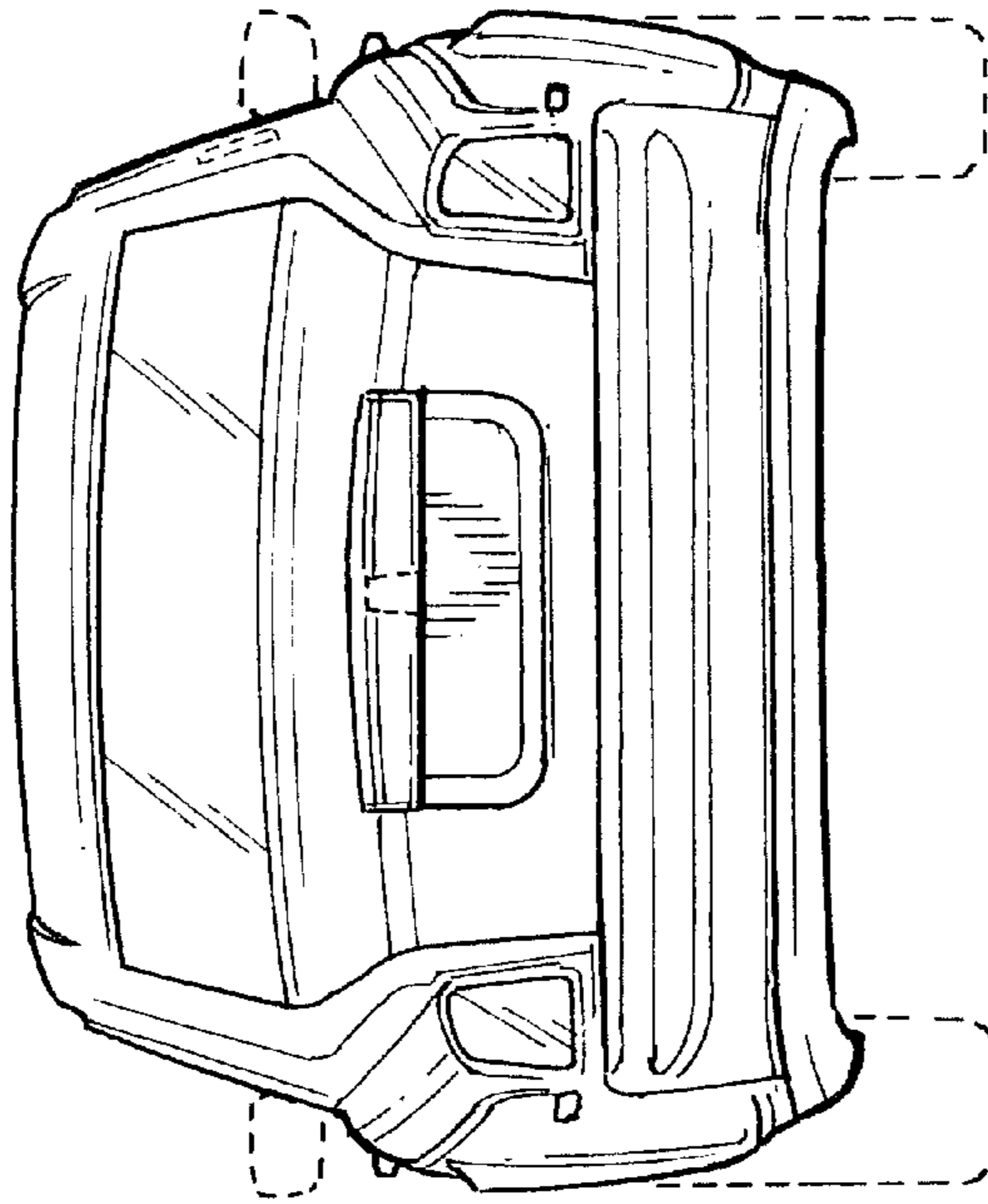


FIG. 6

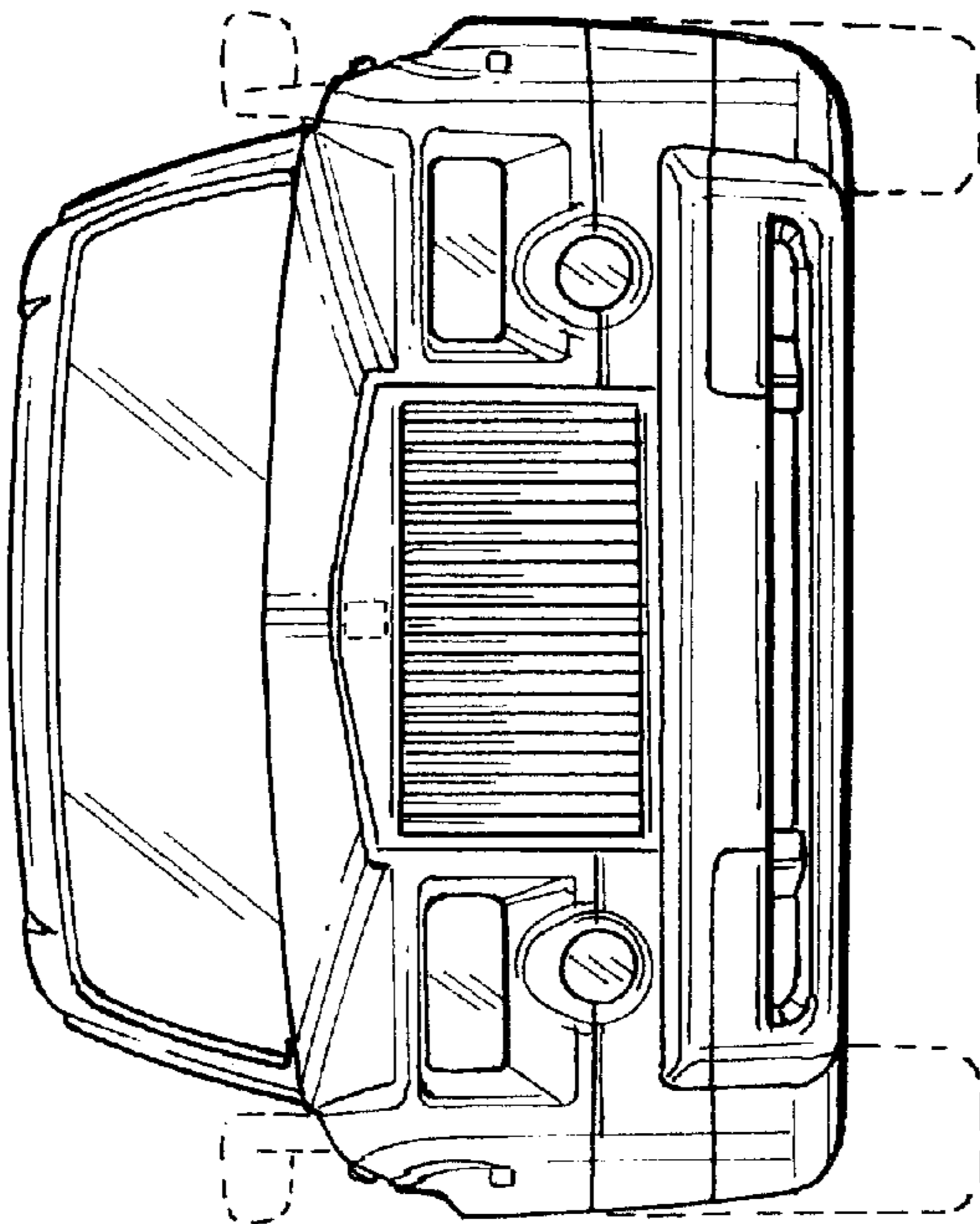


FIG. 5

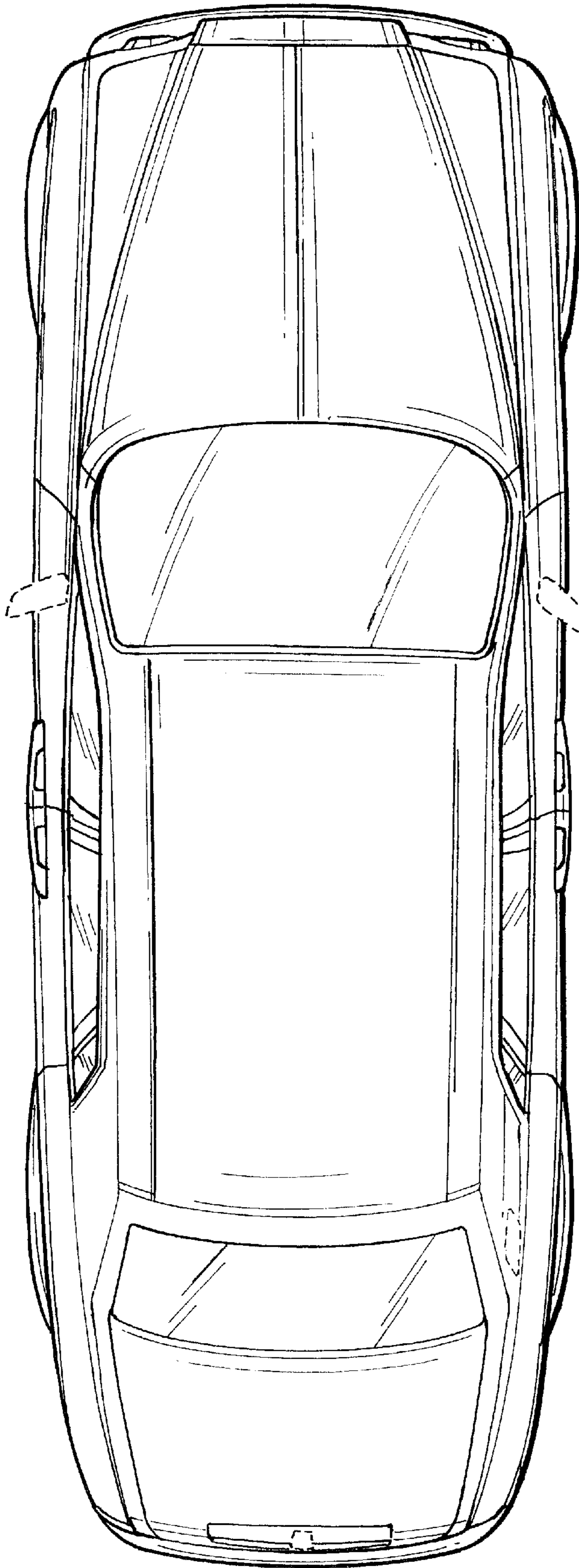


FIG. 7