



US00D473163S

(12) **United States Design Patent** (10) **Patent No.:** **US D473,163 S**  
**Mallette et al.** (45) **Date of Patent:** **\*\* Apr. 15, 2003**

(54) **SNOWMOBILE SKI MOUNT**  
(75) Inventors: **Bertrand Mallette**, Rock Forest (CA);  
**Mario Cote**, Bedford (CA); **Guillaume Longpre**, Farnham (CA)  
(73) Assignee: **Bombardier Inc.**, Valcourt (CA)  
(\*\*) Term: **14 Years**  
(21) Appl. No.: **29/166,009**  
(22) Filed: **Aug. 22, 2002**

CA 36493 4/1973  
CA 936197 10/1973  
CA 954566 9/1974  
CA 960729 1/1975  
CA 987707 4/1976  
CA 1007274 3/1977  
CA 46647 3/1980  
CA 50740 1/1983  
CA 1287658 8/1991  
CA 2095872 11/1994  
CA 2109241 2/1995  
CA 2244520 1/2000

**Related U.S. Application Data**

(62) Division of application No. 29/137,155, filed on Feb. 15, 2001.  
(51) **LOC (7) Cl.** ..... **12-14**  
(52) **U.S. Cl.** ..... **D12/7**  
(58) **Field of Search** ..... D12/7; D21/760,  
D21/766; 280/22, 21.1, 600, 602, 607,  
609, 805, 28, 13, 16, 18; 180/184, 186,  
190, 196, 182

**References Cited**

**U.S. PATENT DOCUMENTS**

780,149 A 1/1905 Anderson  
905,704 A 12/1908 Johnson  
1,802,116 A 4/1931 Kinsley  
D95,466 S 4/1935 Stone  
1,998,702 A 4/1935 Boline  
2,404,402 A 7/1946 Porter  
2,961,362 A \* 11/1960 Landes ..... 280/28 X  
3,374,003 A 3/1968 Fulsom  
3,482,849 A 12/1969 Puetz  
3,632,126 A 1/1972 Shorrock  
3,643,979 A 2/1972 Richards  
3,645,347 A \* 2/1972 Brant ..... 280/608  
3,675,939 A 7/1972 Vik

(List continued on next page.)

**FOREIGN PATENT DOCUMENTS**

CA 335547 9/1933

**OTHER PUBLICATIONS**

Sno–Stuff 2000–2001 Catalog, Dec. 2000, front cover, p. 89, back cover.

*Primary Examiner*—Nelson C. Holtje

(74) *Attorney, Agent, or Firm*—Pillsbury Winthrop LLP

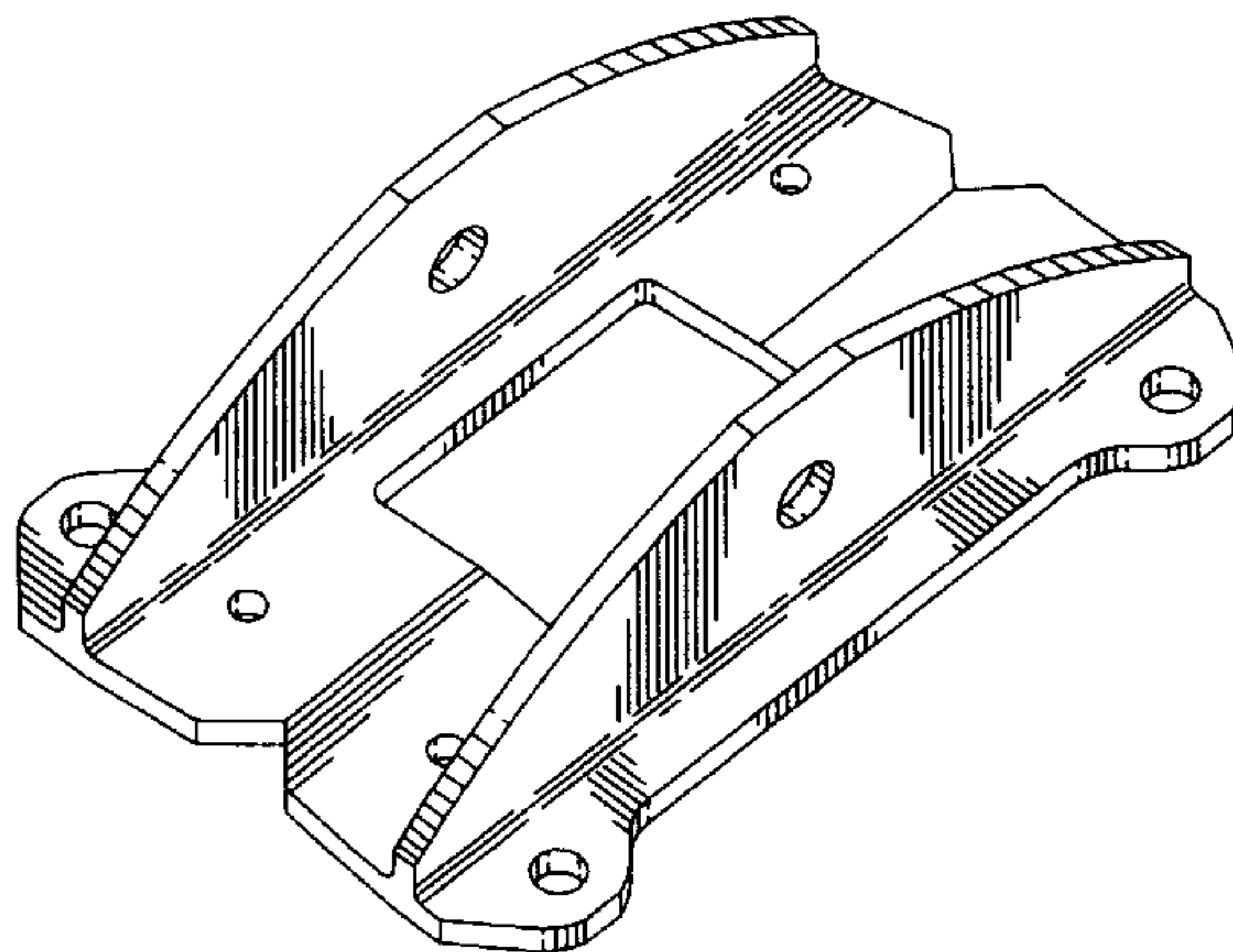
(57) **CLAIM**

The ornamental design for a snowmobile ski mount, as shown and described.

**DESCRIPTION**

FIG. 1 is a perspective illustration, from the front and left side of a first variation of the snowmobile ski mount of the design;  
FIG. 2 is a top view thereof;  
FIG. 3 is a left side view thereof, the right side view being a mirror image;  
FIG. 4 is a front view thereof, the rear view being a mirror image;  
FIG. 5 is a bottom view thereof;  
FIG. 6 is a perspective illustration, from the front and left side, of a second variation of the snowmobile ski mount of the design;  
FIG. 7 is a top view thereof;  
FIG. 8 is a left side view thereof, the right side view being a mirror image;  
FIG. 9 is a front view thereof, the rear view being a mirror image; and,  
FIG. 10 is a bottom view thereof.

**1 Claim, 4 Drawing Sheets**



# US D473,163 S

Page 2

---

U.S. PATENT DOCUMENTS					
3,711,109 A	1/1973	Hofbauer	4,320,905 A	3/1982	Andrew et al.
3,720,421 A	3/1973	Clemmer	4,340,241 A	7/1982	Crocket
3,734,523 A	5/1973	Field	4,577,876 A	3/1986	Harris
3,785,448 A	1/1974	Merenheimo et al.	4,869,336 A	9/1989	Nakasaki et al.
3,785,665 A	1/1974	Merenheimo et al.	5,040,818 A	8/1991	Metheny
3,817,544 A	6/1974	Labelle	5,145,201 A	9/1992	Metheny
3,844,367 A	10/1974	Flohr	5,360,220 A	11/1994	Simmons
4,007,946 A	2/1977	Sarver	5,836,594 A	11/1998	Simmons
4,085,947 A	4/1978	Sarver	5,853,061 A *	12/1998	Yamamoto et al. .... 180/190
4,116,455 A	9/1978	Dotson et al.	D403,988 S	1/1999	Chapdelaine
4,194,753 A	3/1980	Schrishuhn, Jr.	D408,759 S	4/1999	Chapdelaine
D256,224 S	8/1980	Fritz	6,308,966 B1	10/2001	Cook et al.
D257,052 S	9/1980	Schrishuhn, Jr.	6,331,008 B2	12/2001	Cormican
4,221,394 A	9/1980	Campbell			

\* cited by examiner

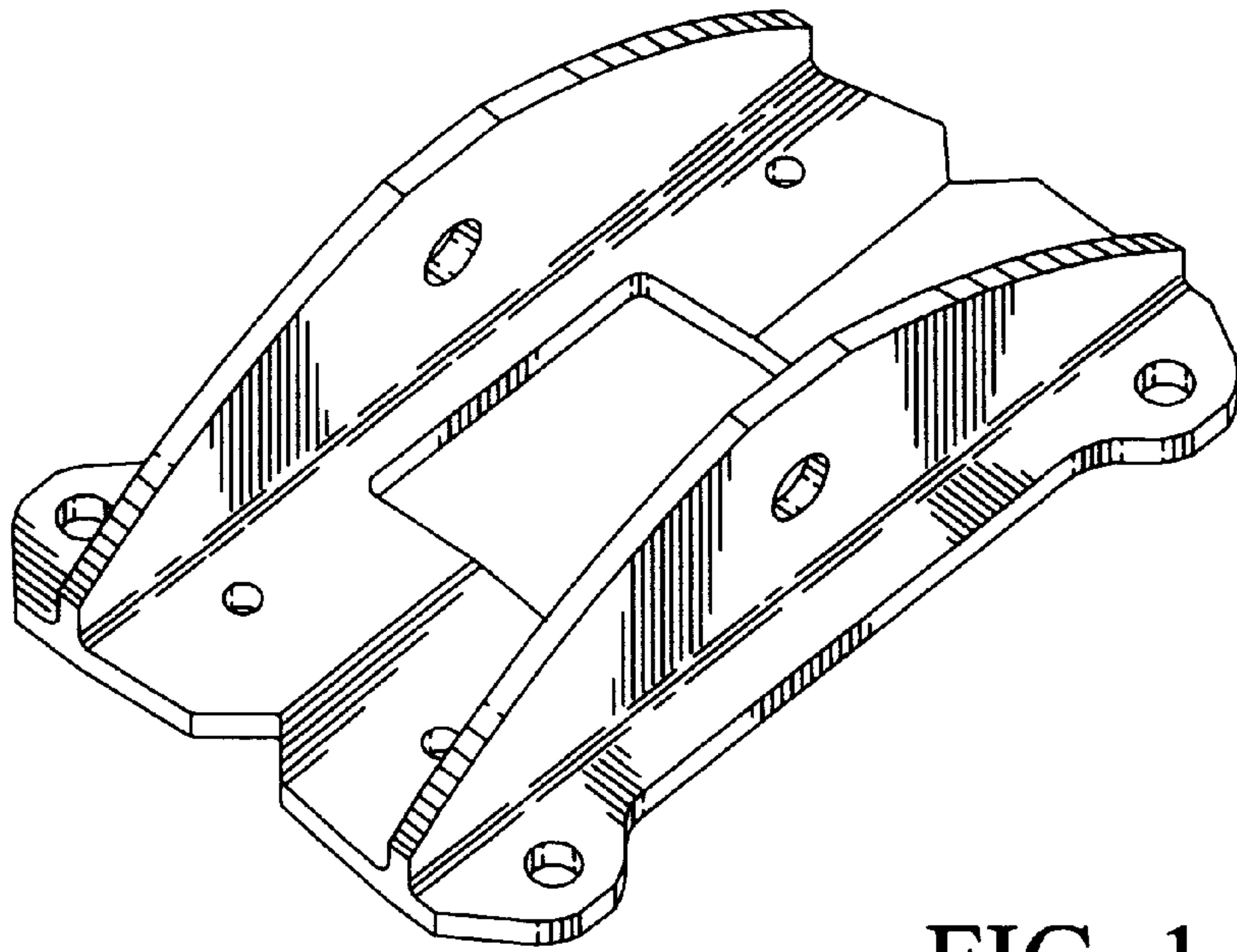


FIG. 1

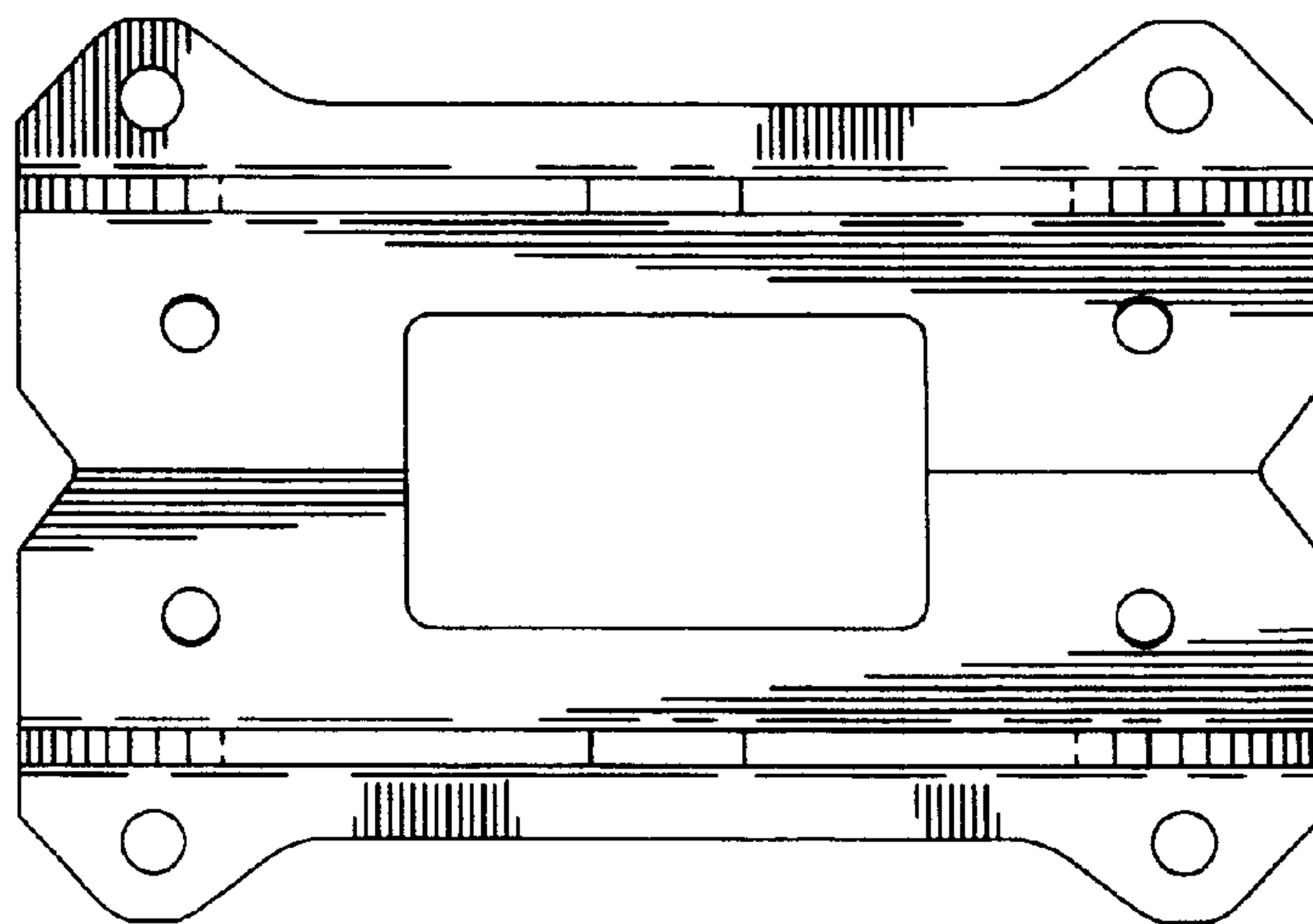


FIG. 2

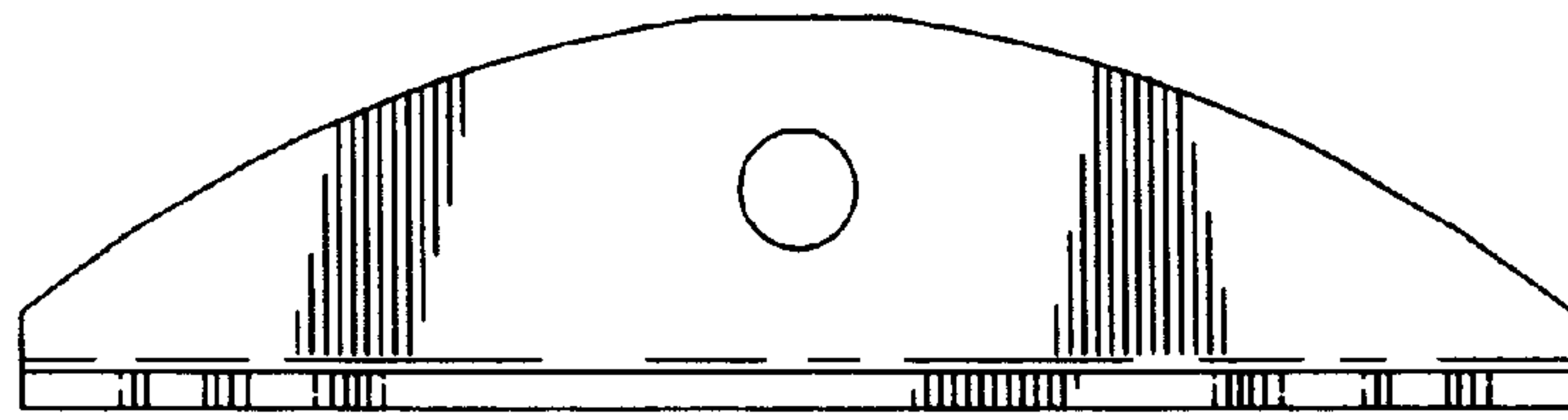


FIG. 3

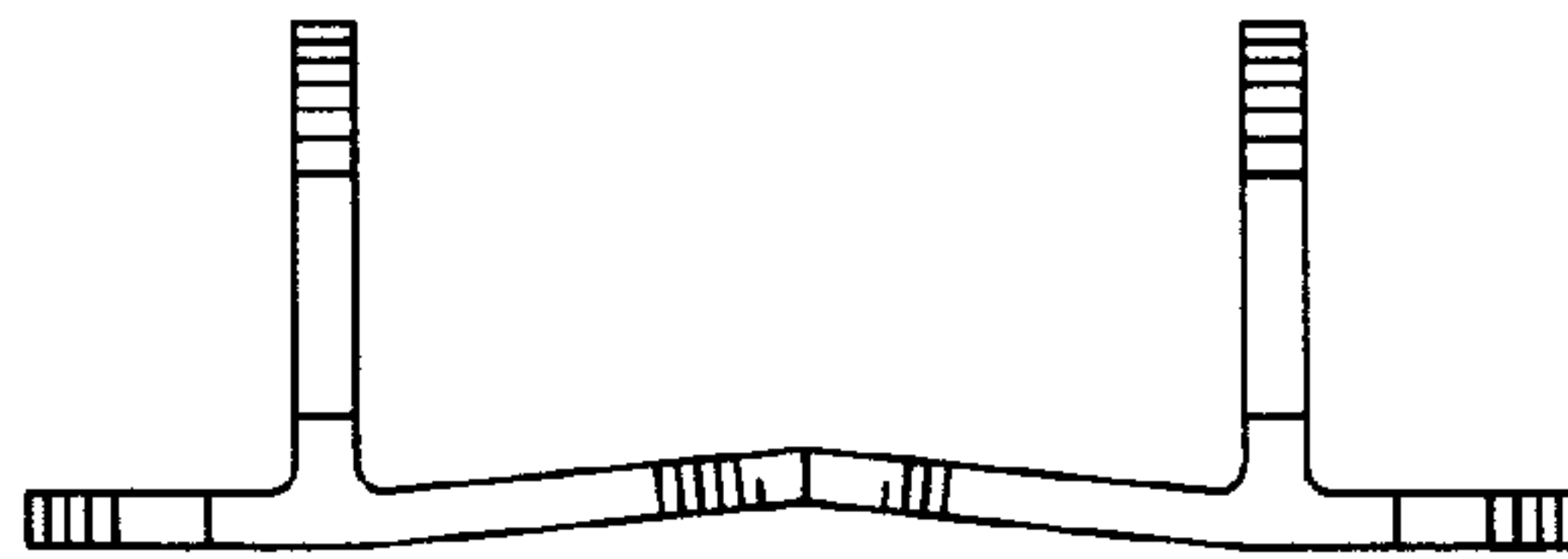


FIG. 4

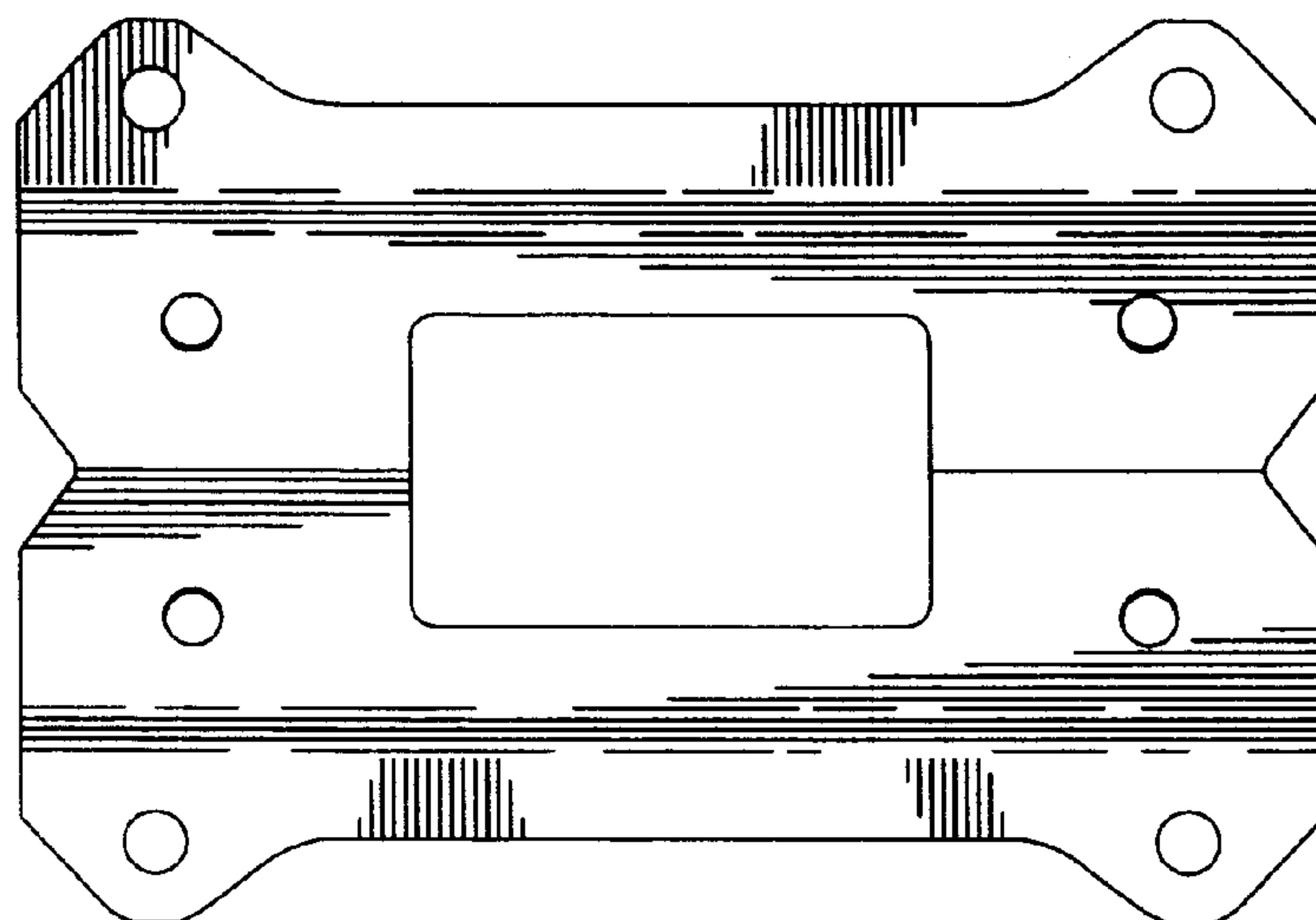


FIG. 5

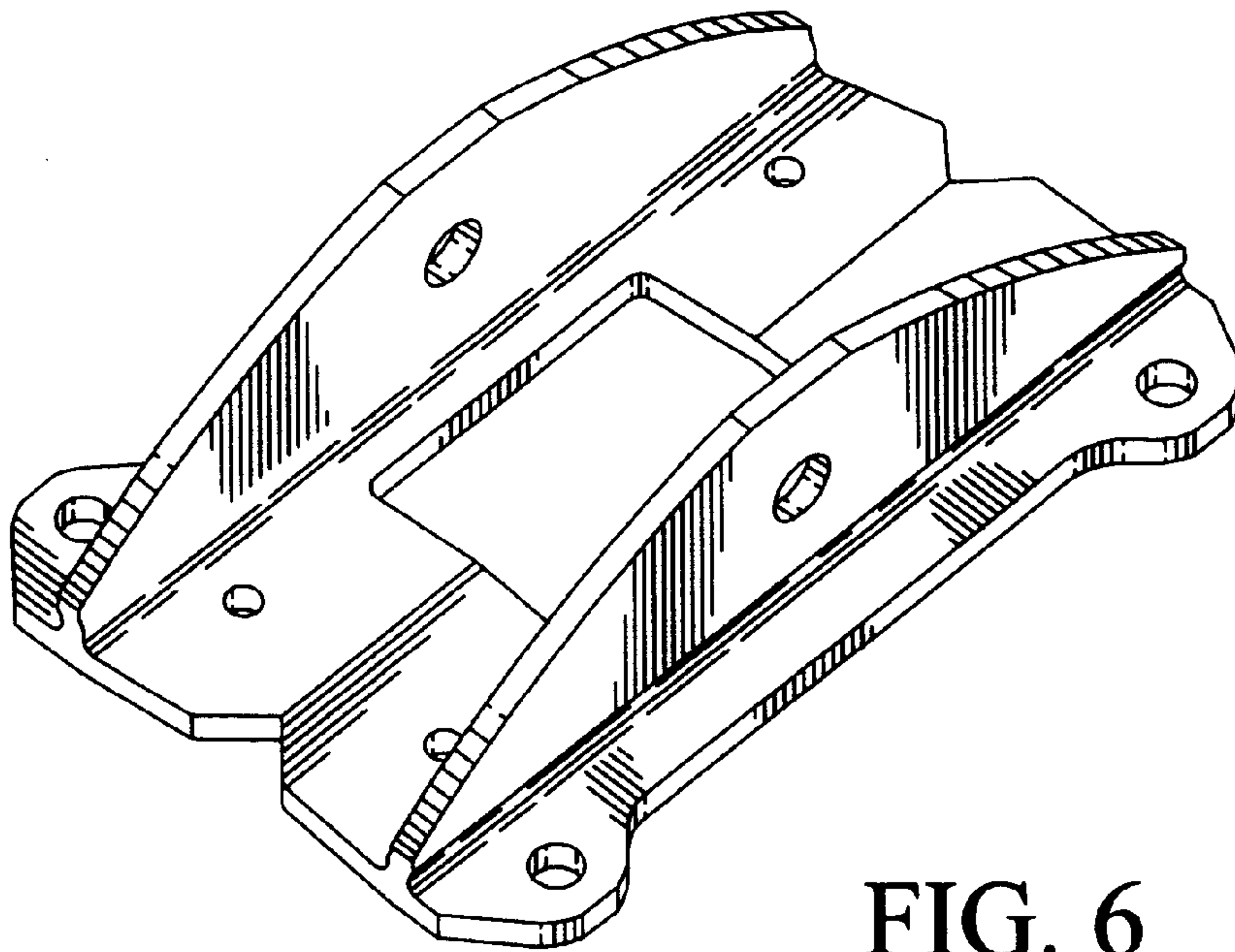


FIG. 6

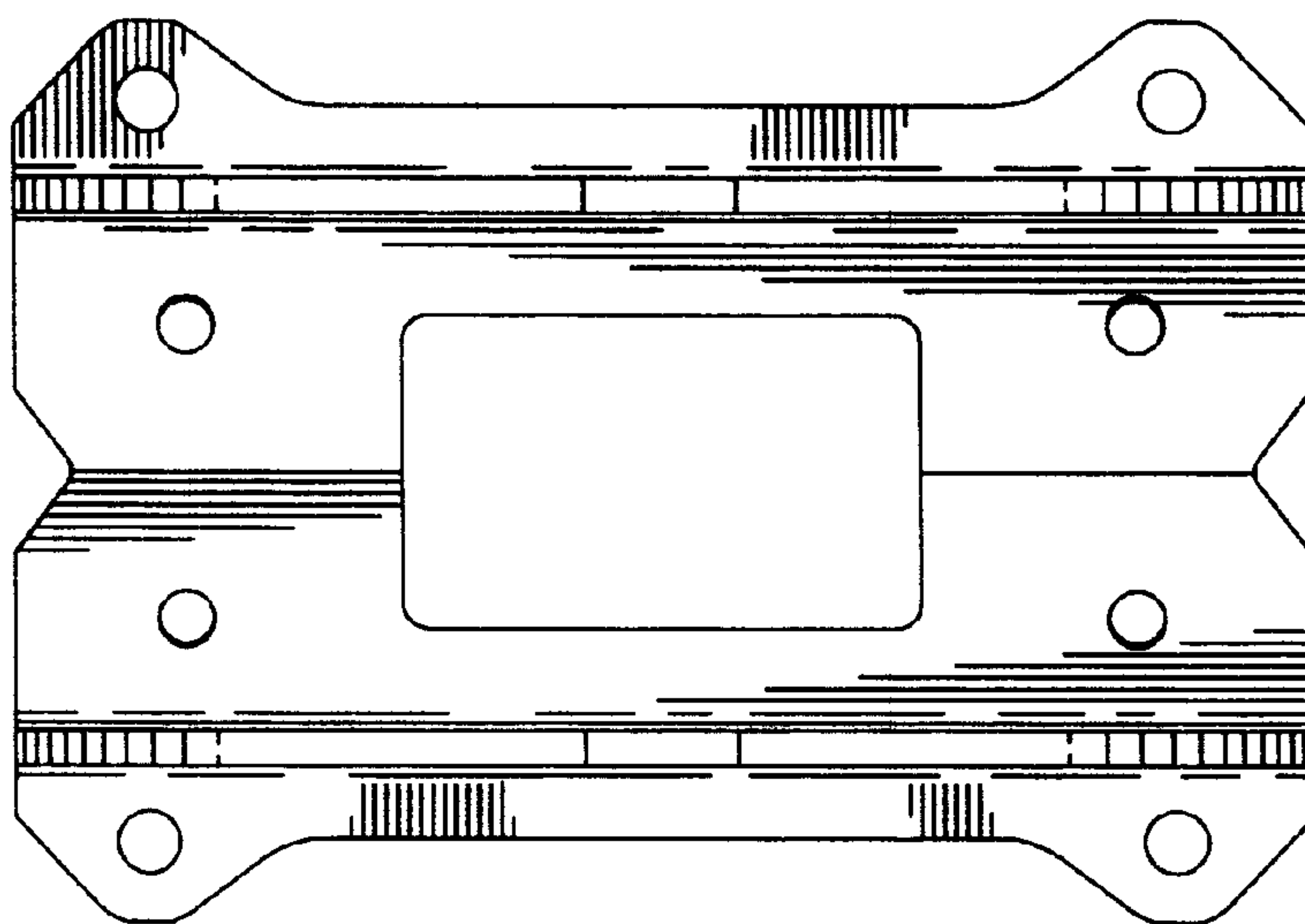


FIG. 7



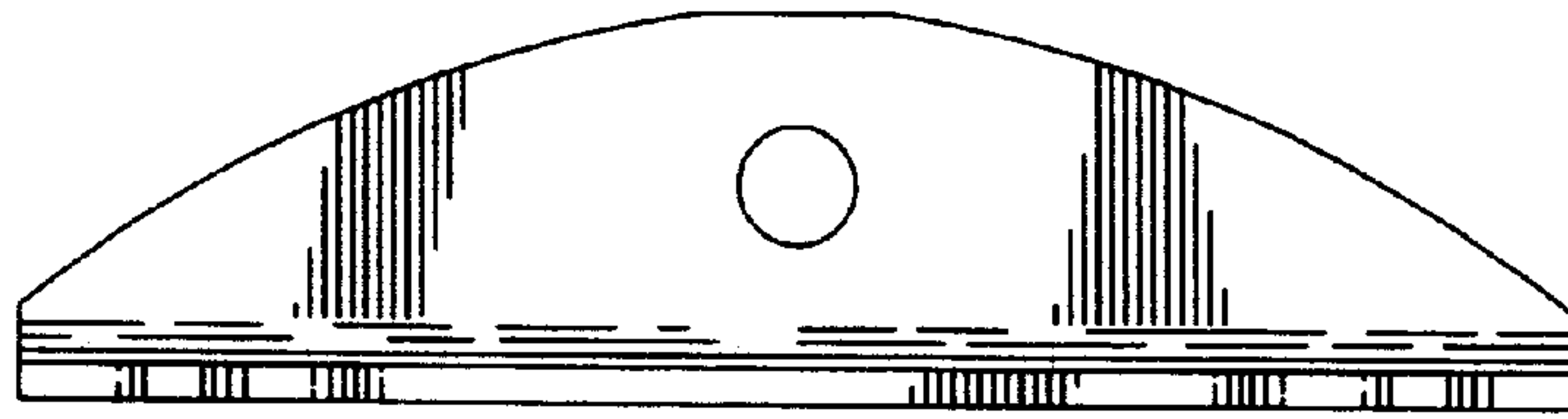


FIG. 8

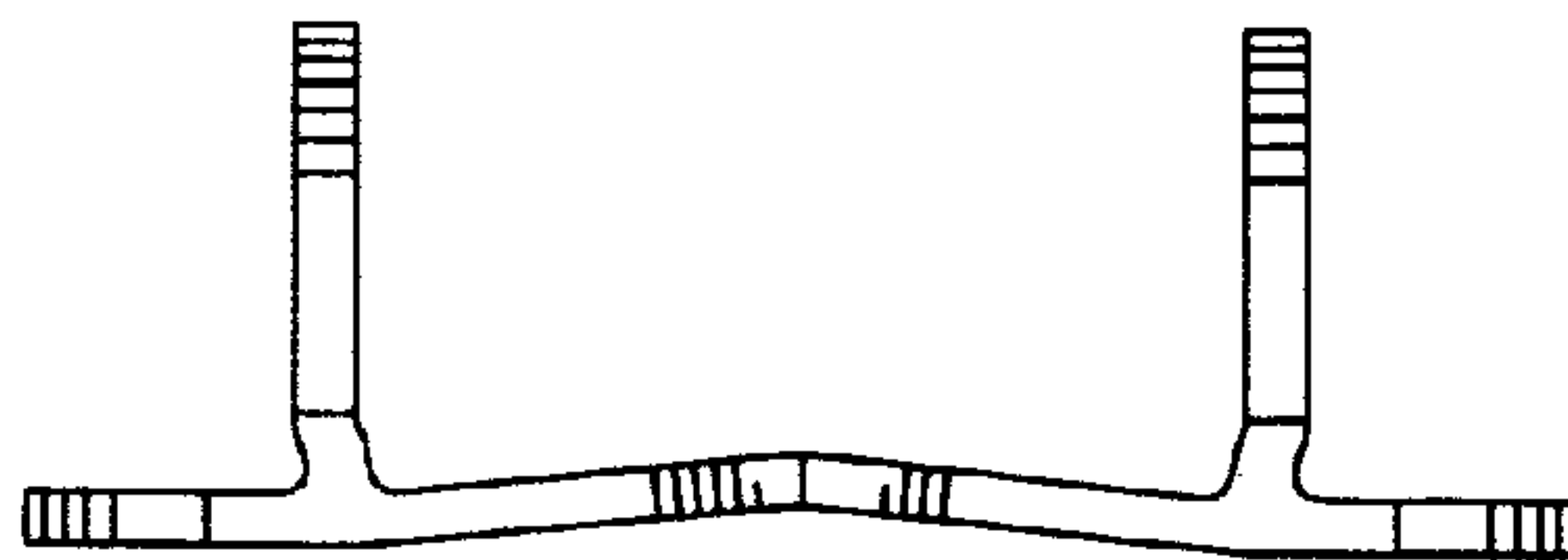


FIG. 9

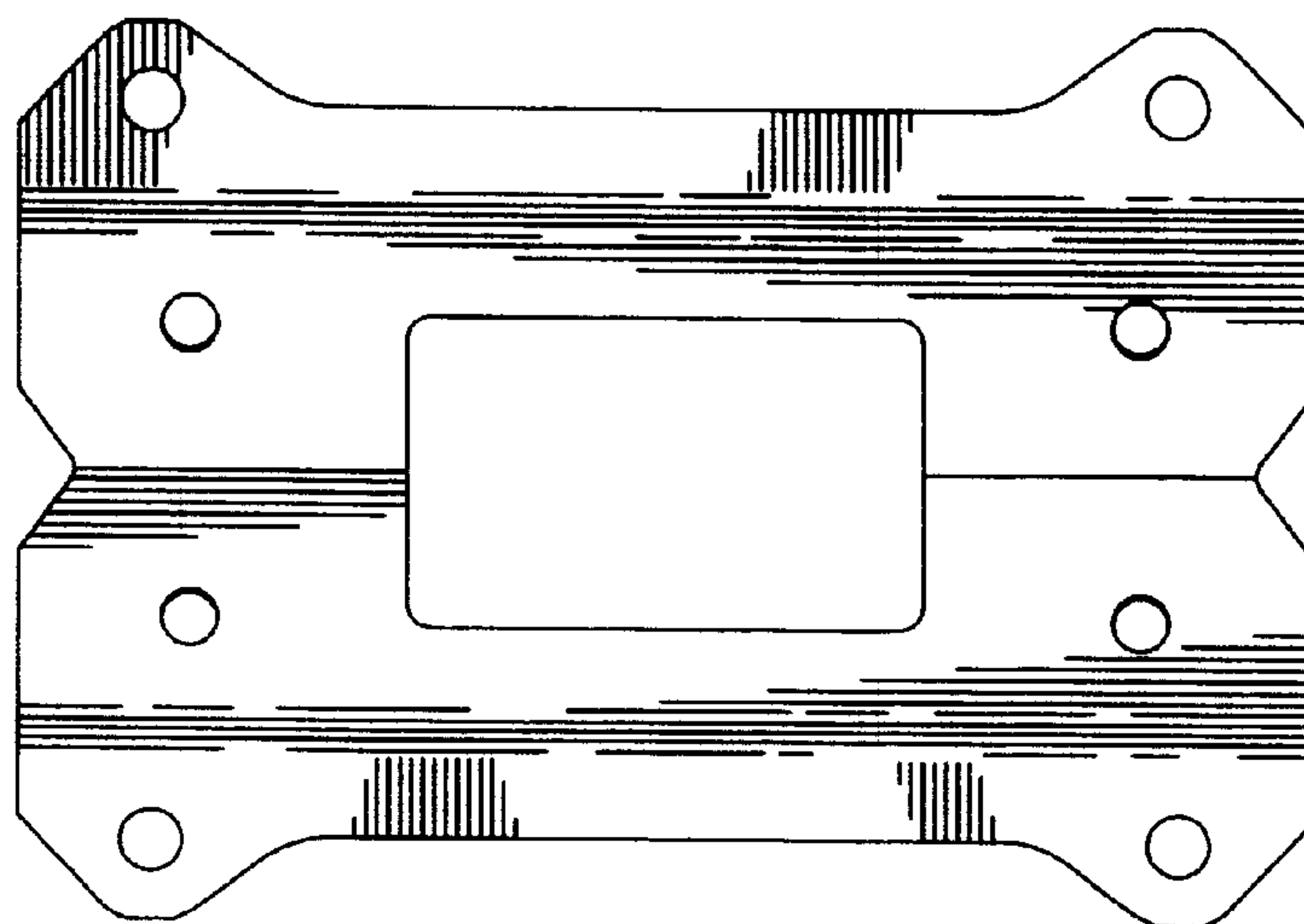


FIG. 10