



US00D473162S

(12) **United States Design Patent**
Mallette et al.

(10) **Patent No.:** **US D473,162 S**

(45) **Date of Patent:** **** Apr. 15, 2003**

(54) **SNOWMOBILE SKI**
(75) Inventors: **Bertrand Mallette**, Rock Forest (CA);
Mario Cote, Bedford (CA); **Guillaume Longpre**, Farnham (CA)

3,785,448 A 1/1974 Merenheimo et al.
3,785,665 A 1/1974 Merenheimo et al.
3,817,544 A 6/1974 Labelle
3,844,367 A 10/1974 Flohr
D243,264 S * 2/1977 Koblick D21/766
4,007,946 A 2/1977 Sarver

(73) Assignee: **Bombardier Inc.**, Valcourt (CA)

(List continued on next page.)

(**) Term: **14 Years**

FOREIGN PATENT DOCUMENTS

(21) Appl. No.: **29/166,006**

CA 335547 9/1933
CA 36493 4/1973
CA 936197 10/1973
CA 954566 9/1974

(22) Filed: **Aug. 22, 2002**

(List continued on next page.)

Related U.S. Application Data

(62) Division of application No. 29/137,155, filed on Feb. 15, 2001.

OTHER PUBLICATIONS

(51) **LOC (7) Cl.** **12-14**

Sno–Stuff 2000–2001 Catalog, Dec. 2000, front cover, p. 89, back cover.

(52) **U.S. Cl.** **D12/7**

Primary Examiner—Nelson C. Holtje

(58) **Field of Search** D12/7; D21/760,
D21/766; 280/22, 21.1, 600, 602, 607,
609, 805, 28, 13, 16, 18; 180/184, 186,
190, 196, 182

(74) *Attorney, Agent, or Firm*—Pillsbury Winthrop LLP

(57) **CLAIM**

(56) **References Cited**

The ornamental design for a snowmobile ski, as shown and described.

U.S. PATENT DOCUMENTS

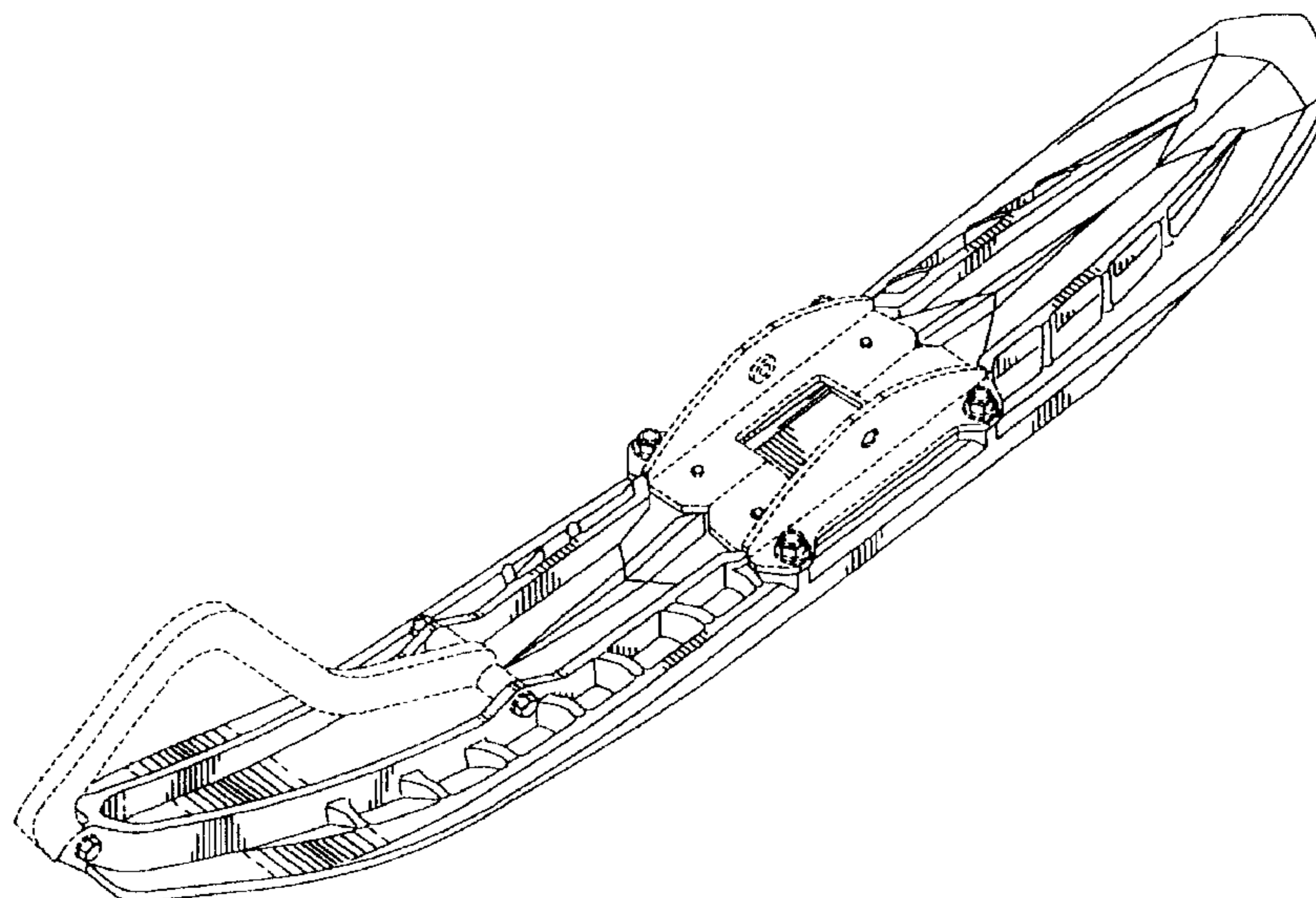
DESCRIPTION

780,149 A 1/1905 Anderson
905,704 A 12/1908 Johnson
1,802,116 A 4/1931 Kinsley
D95,466 S 4/1935 Stone
1,998,702 A 4/1935 Boline
2,404,402 A 7/1946 Porter
3,374,003 A 3/1968 Fulsom
3,482,849 A 12/1969 Puetz
3,632,126 A 1/1972 Shorrock
3,643,979 A 2/1972 Richards
3,675,939 A 7/1972 Vik
3,711,109 A 1/1973 Hofbauer
3,720,421 A 3/1973 Clemmer
3,734,523 A 5/1973 Field

FIG. 1 is a perspective illustration, from the front and the left side, of the snowmobile ski of our design;
FIG. 2 is a front view thereof;
FIG. 3 is a rear view thereof;
FIG. 4 is a left side view thereof;
FIG. 5 is a right side view thereof;
FIG. 6 is a top view thereof; and,
FIG. 7 is a bottom view thereof.

Where included, broken lines showing environment or structure are for illustrative purposes only and form no part of the claimed design.

1 Claim, 3 Drawing Sheets



US D473,162 S

Page 2

U.S. PATENT DOCUMENTS

4,085,947 A 4/1978 Sarver
4,116,455 A 9/1978 Dotson et al.
4,194,753 A 3/1980 Schrishuhn, Jr.
D256,224 S 8/1980 Fritz
D257,052 S 9/1980 Schrishuhn, Jr.
4,221,394 A 9/1980 Campbell
4,320,905 A 3/1982 Andrew et al.
4,340,241 A 7/1982 Crocket
4,577,876 A 3/1986 Harris
4,869,336 A 9/1989 Nakasaki et al.
5,040,818 A 8/1991 Metheny
5,145,201 A 9/1992 Metheny
D342,044 S * 12/1993 Hornai D12/7
5,344,168 A * 9/1994 Olson et al. 280/28
5,360,220 A 11/1994 Simmons
5,443,278 A * 8/1995 Berto 280/28
D367,018 S * 2/1996 Bernat D12/7
5,836,594 A 11/1998 Simmons

D403,988 S 1/1999 Chapdelaine
D408,759 S 4/1999 Chapdelaine
6,039,136 A * 3/2000 Kanan 180/182
6,308,966 B1 10/2001 Cook et al.
6,331,008 B2 12/2001 Cormican
6,431,561 B1 * 8/2002 Hedlund 280/28

FOREIGN PATENT DOCUMENTS

CA 960729 1/1975
CA 987707 4/1976
CA 1007274 3/1977
CA 46647 3/1980
CA 50740 1/1983
CA 1287658 8/1991
CA 2095872 11/1994
CA 2109241 2/1995
CA 2244520 1/2000

* cited by examiner

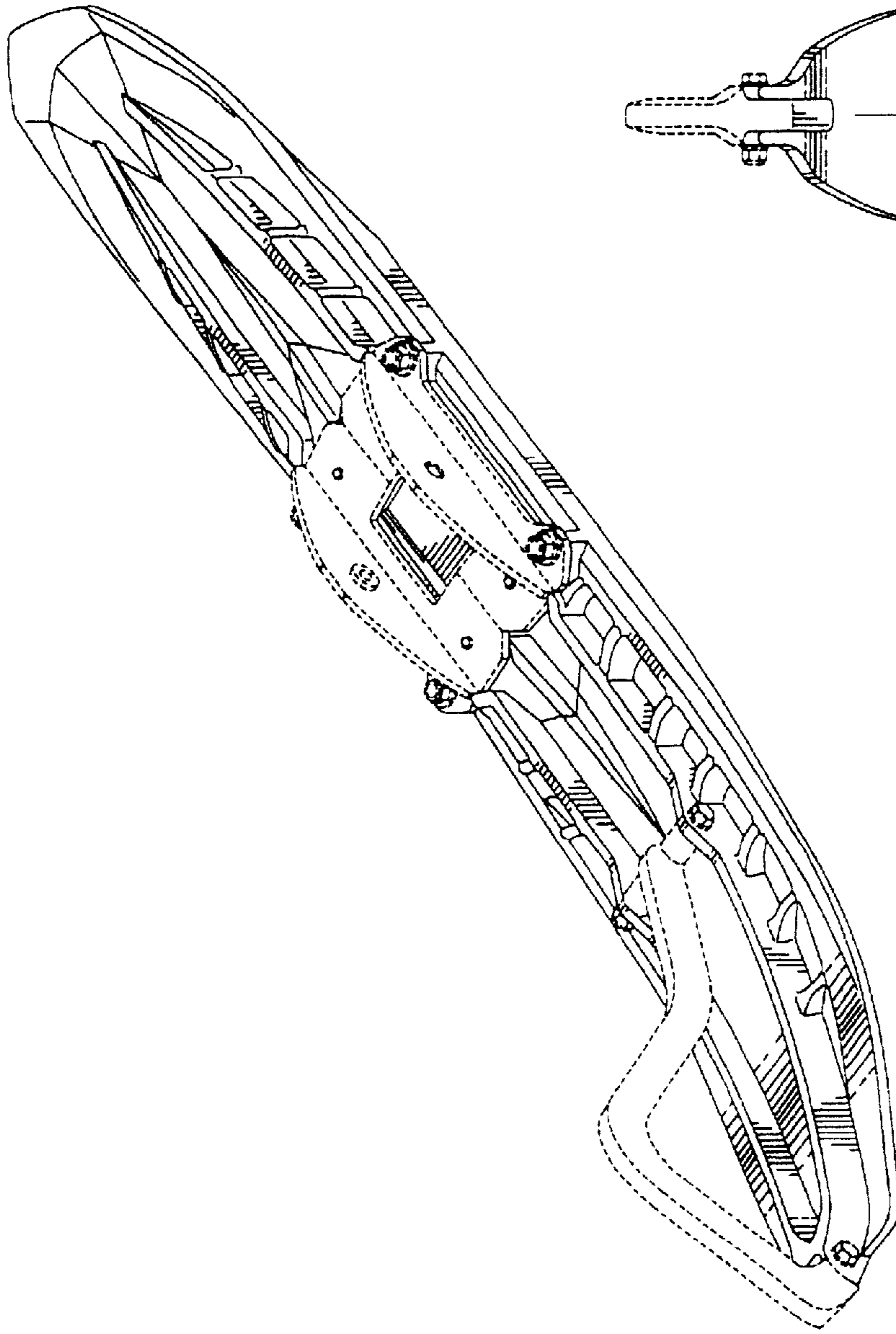


FIG. 1

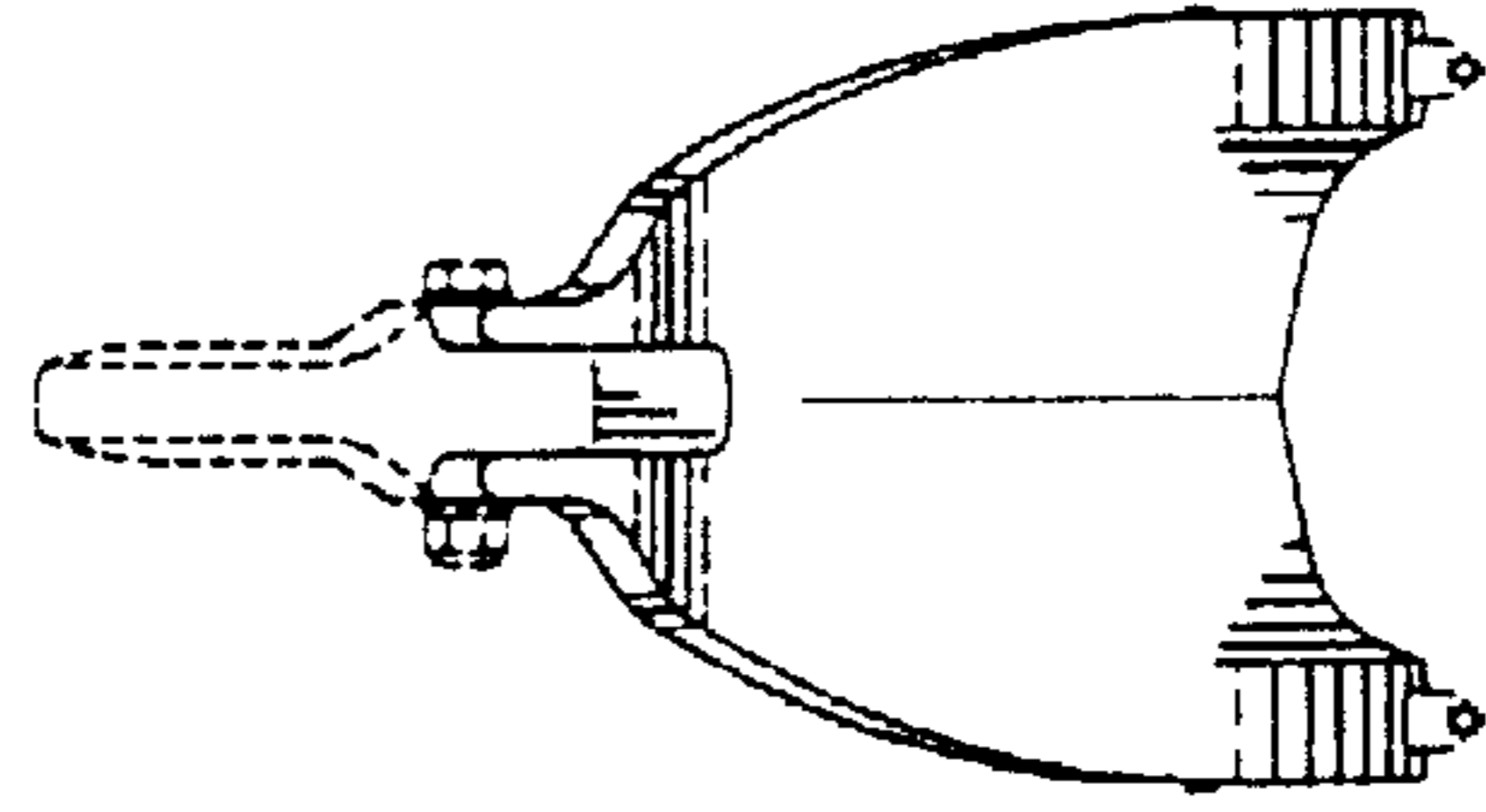


FIG. 2

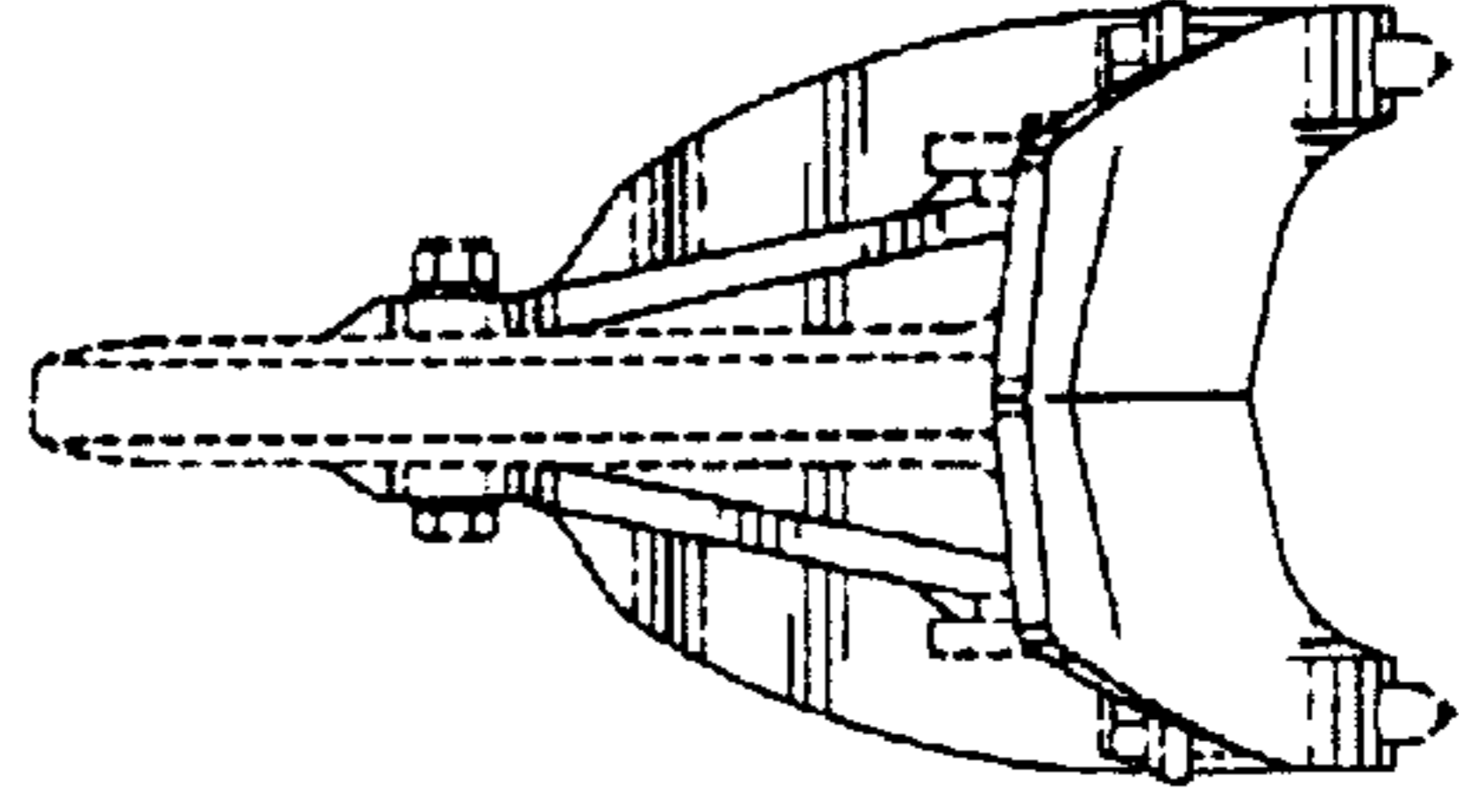


FIG. 3

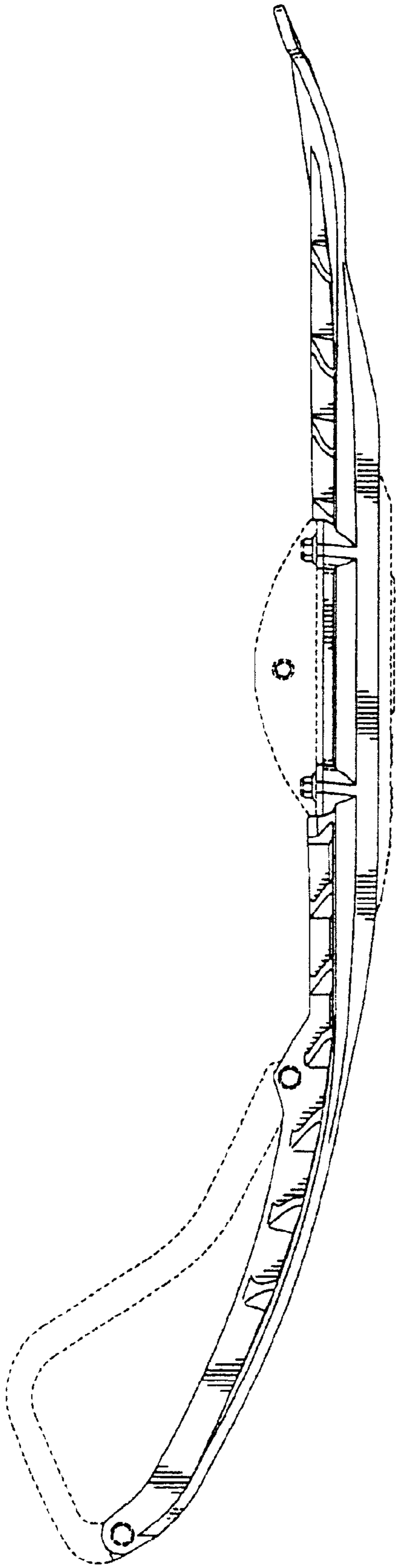


FIG. 4

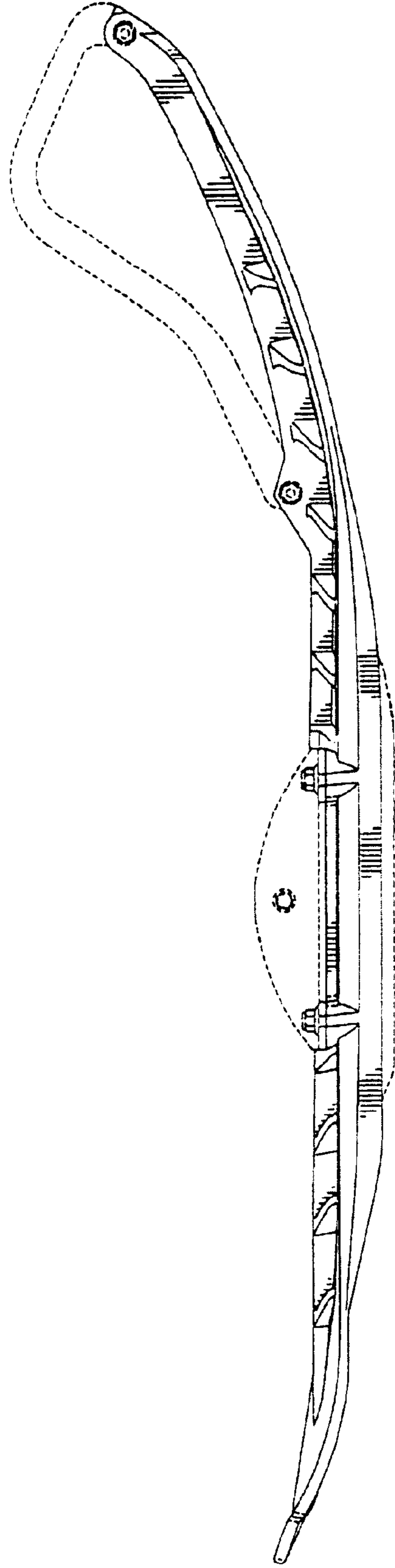


FIG. 5

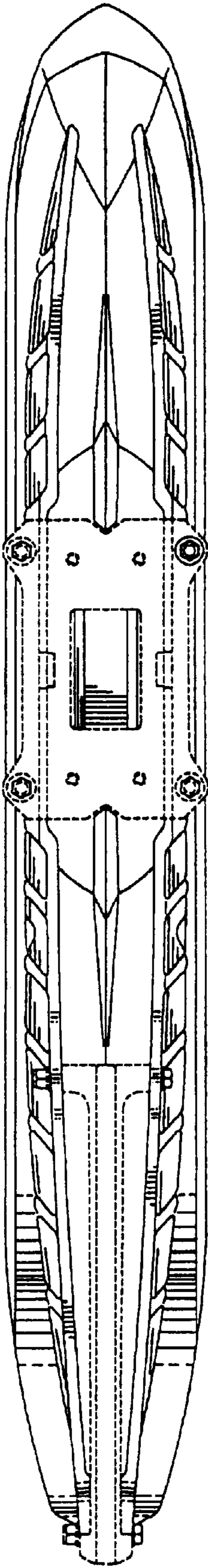


FIG. 6

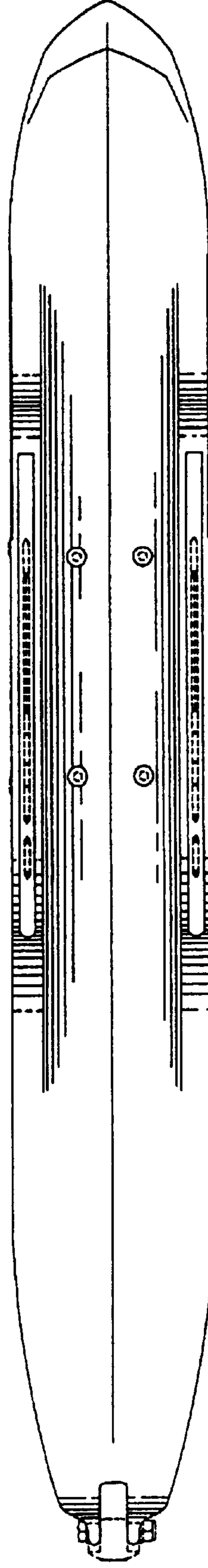


FIG. 7