



US00D473159S

(12) **United States Design Patent**  
**Matsui et al.**

(10) **Patent No.:** **US D473,159 S**

(45) **Date of Patent:** **\*\* Apr. 15, 2003**

(54) **SET OF MALE MEMBERS FOR SNAP  
BUTTONS ON TAPE**

D431,208 S \* 9/2000 Akashi et al. .... D11/220  
6,199,248 B1 \* 3/2001 Akashi et al. .... 24/693  
6,314,621 B1 \* 11/2001 Kawahara ..... 24/114.4

(75) Inventors: **Shoji Matsui**, Kurobe (JP); **Kiyomasa  
Segawa**, Kurobe (JP)

\* cited by examiner

(73) Assignee: **YKK Corporation**, Tokyo (JP)

*Primary Examiner*—Louis S. Zarfes

*Assistant Examiner*—Gregory Andoll

(\*\*) Term: **14 Years**

(74) *Attorney, Agent, or Firm*—Finnegan, Henderson,  
Farabow, Garrett, & Dunner LLP

(21) Appl. No.: **29/143,395**

(57) **CLAIM**

(22) Filed: **Jun. 14, 2001**

The ornamental design for a set of male members for snap  
buttons on tape, as shown and described.

(30) **Foreign Application Priority Data**

**DESCRIPTION**

Dec. 15, 2000 (JP) ..... 2000-035867

(51) **LOC (7) Cl.** ..... **02-07**

(52) **U.S. Cl.** ..... **D11/220**

(58) **Field of Search** ..... D11/200, 220;  
24/693, 662-681, 114.6, 114.4, 688, 695,  
DIG. 29

FIG. 1 is a front view of a set of male members for snap  
buttons on tape according to the present invention;

FIG. 2 is a side plan view of FIG. 1;

FIG. 3 is a left side view of FIG. 1;

FIG. 4 is a right side view of FIG. 1;

FIG. 5 is a cross-sectional view taken on line 5-5 of FIG.  
4; and,

FIG. 6 is a cross-sectional view, similar to FIG. 5 showing  
the article in use.

(56) **References Cited**

**U.S. PATENT DOCUMENTS**

1,703,796 A \* 2/1929 Taylor et al. .... 24/695  
D431,014 S \* 9/2000 Akashi et al. .... D11/220

**1 Claim, 4 Drawing Sheets**

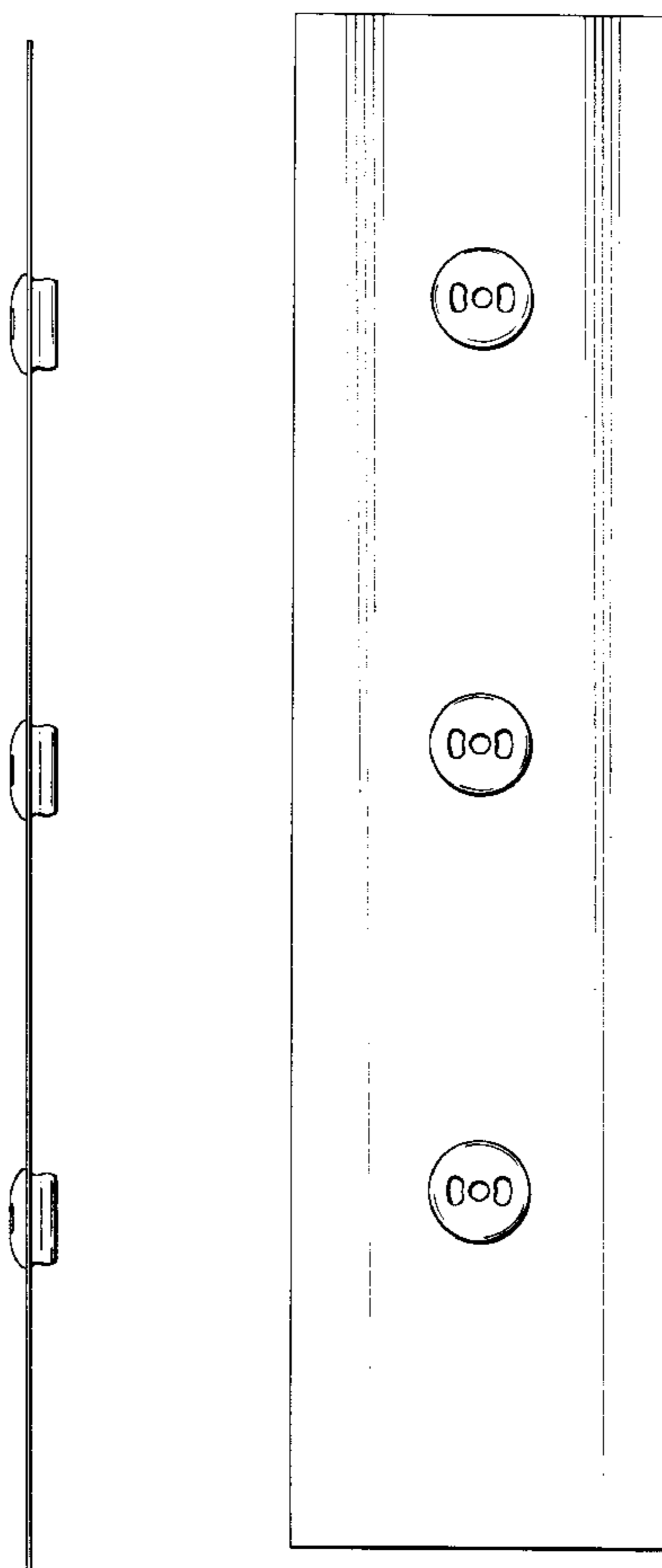




FIG. 1



FIG. 2

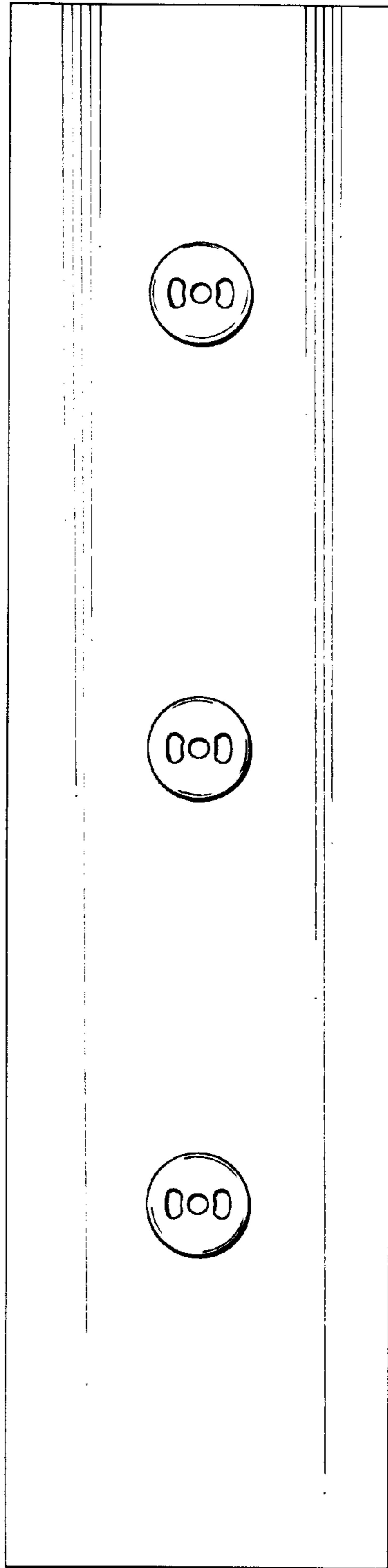


FIG. 3

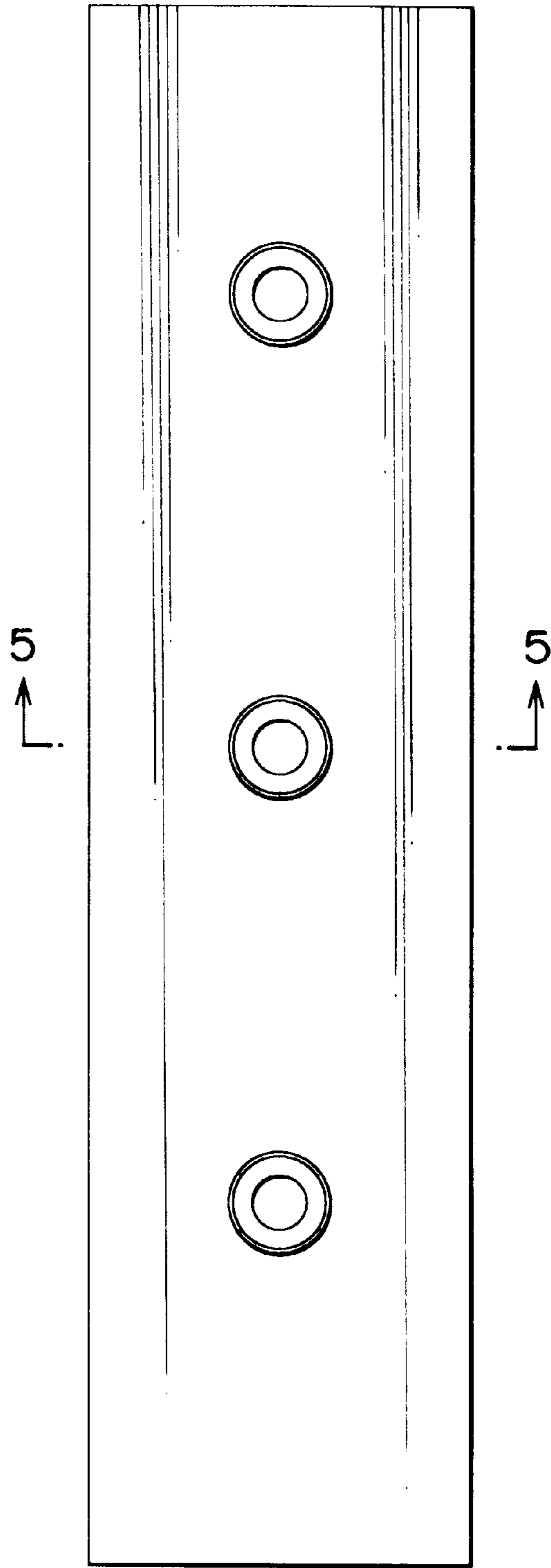
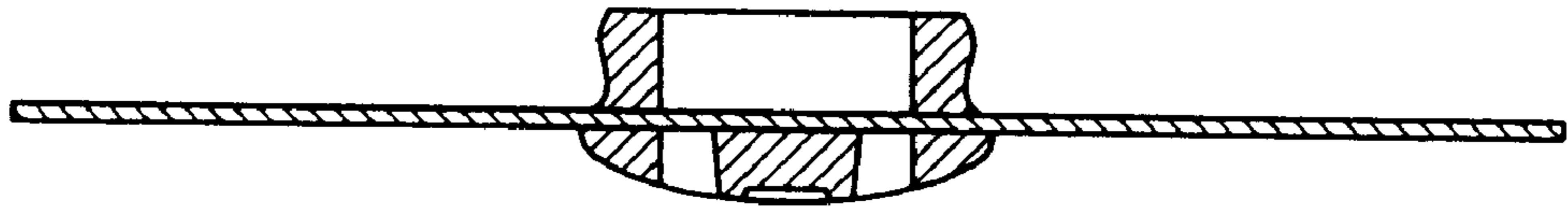
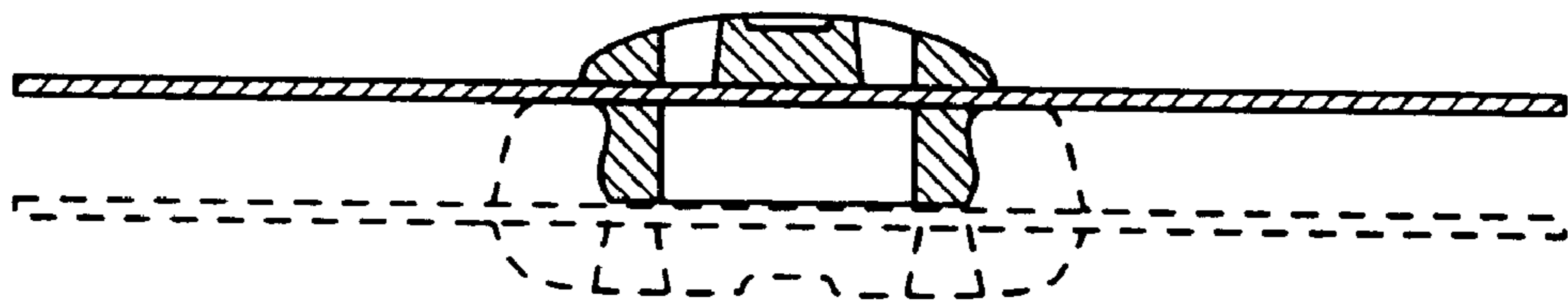


FIG. 4



**FIG. 5**



**FIG. 6**

UNITED STATES PATENT AND TRADEMARK OFFICE  
**CERTIFICATE OF CORRECTION**

PATENT NO. : Des. 473,159 S  
APPLICATION NO. : 29/143395  
DATED : April 15, 2003  
INVENTOR(S) : Shoji Matsui and Kiyomasa Segawa

Page 1 of 1

It is certified that error appears in the above-identified patent and that said Letters Patent is hereby corrected as shown below:

On the title page, in the specification, preceding the claim, insert -- The broken lines in Figure 6 are for illustrative purposes only and form no part of the claimed design. --.

Signed and Sealed this

Twenty-second Day of January, 2008

A handwritten signature in black ink that reads "Jon W. Dudas". The signature is written in a cursive style with a large, looped initial "J".

JON W. DUDAS

*Director of the United States Patent and Trademark Office*