



US00D473158S

(12) **United States Design Patent**
Matsui et al.

(10) **Patent No.:** **US D473,158 S**
(45) **Date of Patent:** **** Apr. 15, 2003**

(54) **SET OF FEMALE MEMBERS FOR SNAP
BUTTONS ON TAPE**

6,199,248 B1 * 3/2001 Akashi et al. 24/693
6,314,621 B1 * 11/2001 Kawahara 24/114.4

(75) Inventors: **Shoji Matsui**, Kurobe (JP); **Kiyomasa
Segawa**, Kurobe (JP)

* cited by examiner

(73) Assignee: **YKK Corporation**, Tokyo (JP)

Primary Examiner—Louis S. Zarfes

Assistant Examiner—Gregory Andoll

(**) Term: **14 Years**

(74) *Attorney, Agent, or Firm*—Finnegan, Henderson,
Farabow, Garrett, & Dunner LLP

(21) Appl. No.: **29/143,394**

(57) **CLAIM**

(22) Filed: **Jun. 14, 2001**

The ornamental design for a set of female members for snap
buttons on tape, as shown and described.

(30) **Foreign Application Priority Data**

DESCRIPTION

Dec. 15, 2000 (JP) 2000-035868

(51) **LOC (7) Cl.** **02-07**

(52) **U.S. Cl.** **D11/220**

(58) **Field of Search** D11/200, 220;
24/693, 662-681, 114.4, 114.4, 688, 695,
DIG. 29

FIG. 1 is a front view of a set of female members for snap
buttons on tape according to the present invention;
FIG. 2 is a side plan view of FIG. 1;
FIG. 3 is a left side view of FIG. 1;
FIG. 4 is a right side view of FIG. 1;
FIG. 5 is a cross-sectional view taken on line 5—5 of FIG.
4; and,

(56) **References Cited**

FIG. 6 is a cross-sectional view, similar to FIG. 5, showing
the article in use.

U.S. PATENT DOCUMENTS

The broken lines in FIG. 6 are for illustrative purposes only
and form no part of the claimed design.

1,703,796 A * 2/1929 Taylor et al. 24/695
D431,014 S * 9/2000 Akashi et al. D11/220
D431,208 S * 9/2000 Akashi et al. D11/220

1 Claim, 4 Drawing Sheets

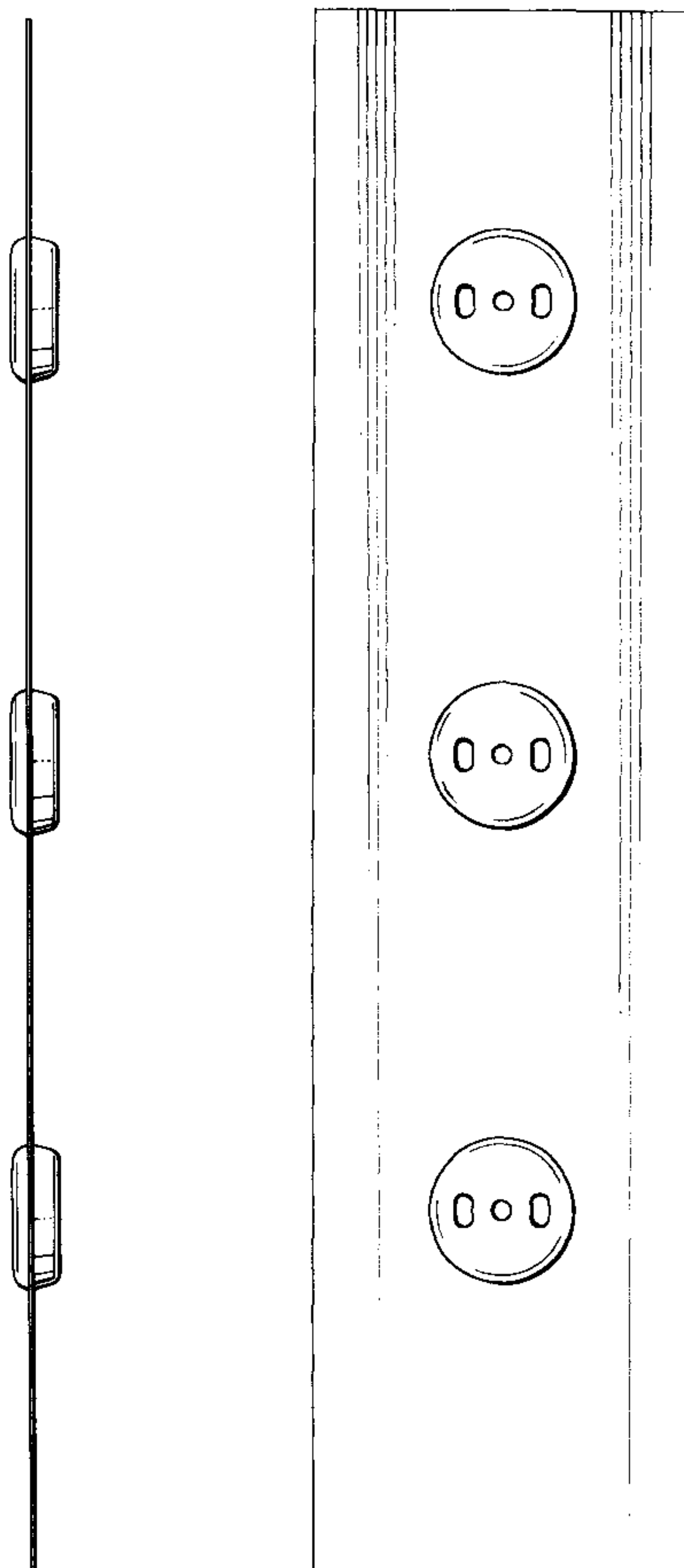




FIG. 1

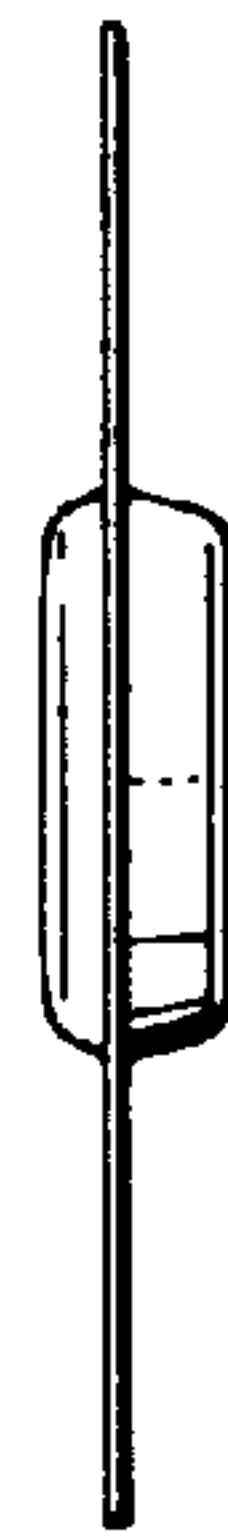


FIG. 2

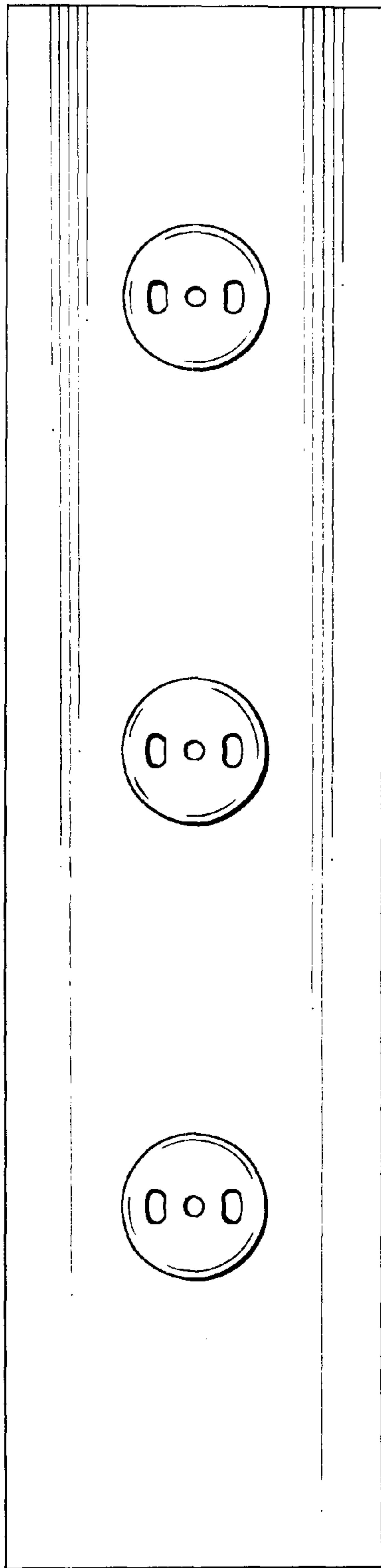


FIG. 3

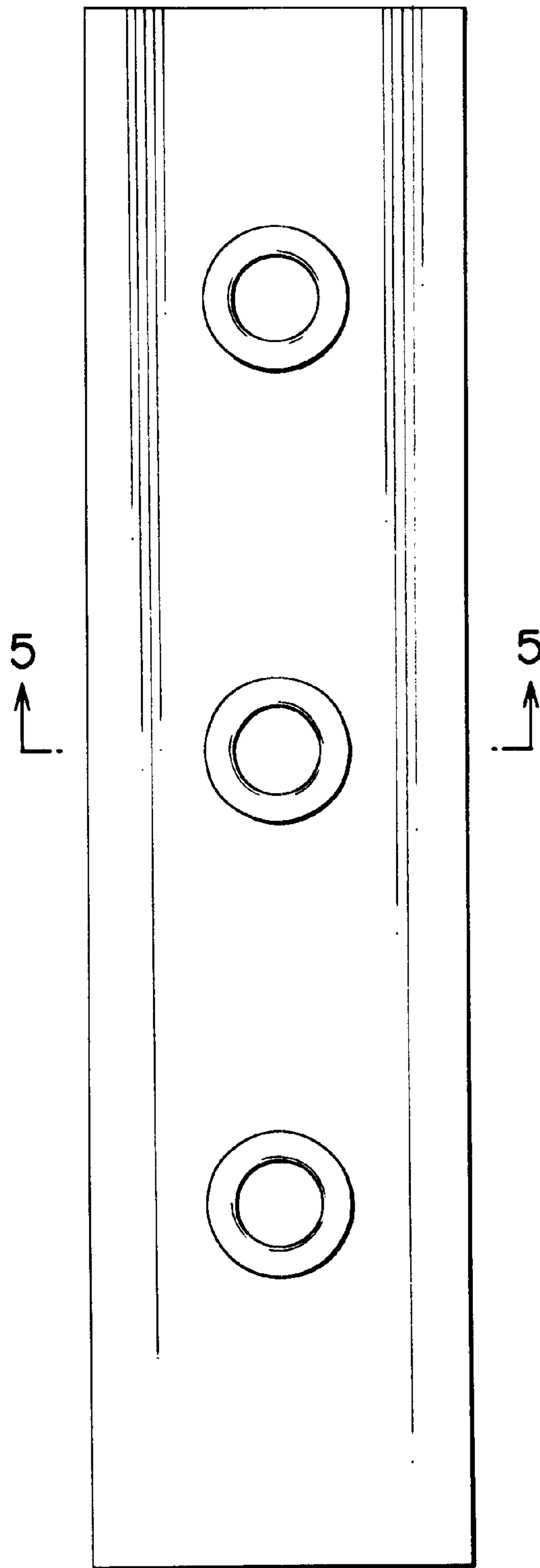


FIG. 4



FIG. 5

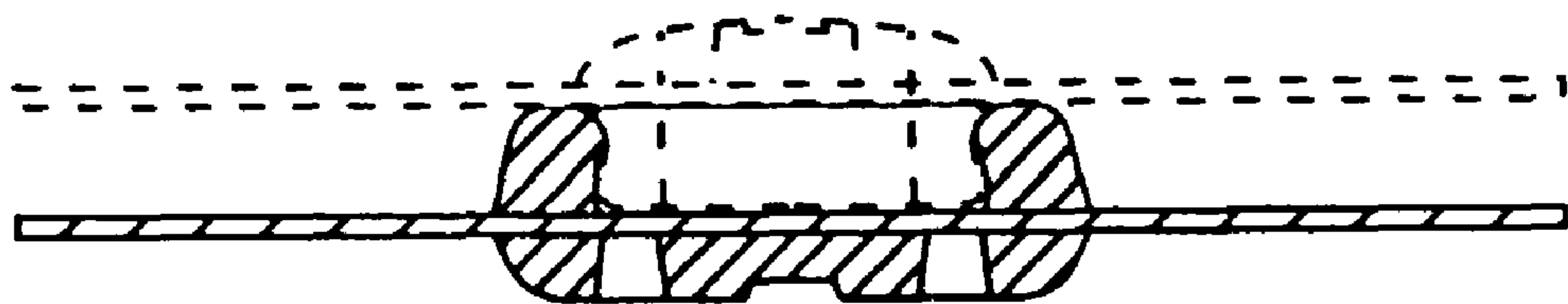


FIG. 6