



US00D473153S

(12) **United States Design Patent**  
**Kato**

(10) **Patent No.:** **US D473,153 S**

(45) **Date of Patent:** **\*\* Apr. 15, 2003**

(54) **AUDIBLE SIGNAL FOR ALARMS**

(75) **Inventor:** **Takaharu Kato**, Shizuoka (JP)

(73) **Assignee:** **Star Micronics Co., Ltd.**, Shizuoka (JP)

(\*\*) **Term:** **14 Years**

(21) **Appl. No.:** **29/160,683**

(22) **Filed:** **May 16, 2002**

(30) **Foreign Application Priority Data**

Nov. 16, 2001 (JP) ..... 2001-033614

(51) **LOC (7) Cl.** ..... **10-05**

(52) **U.S. Cl.** ..... **D10/106**

(58) **Field of Search** ..... D10/104, 106;  
340/945, 984, 425.5, 500, 540-544, 545.1,  
546, 545.2, 547-549, 545.3-545.9, 550-567,  
577-600, 612, 693.5, 693.7, 384.1-404.3

(56) **References Cited**

**U.S. PATENT DOCUMENTS**

D447,433 S \* 9/2001 Kwok ..... D10/104

\* cited by examiner

*Primary Examiner*—Antoine Duval Davis

(74) *Attorney, Agent, or Firm*—Sughrue Mion, PLLC

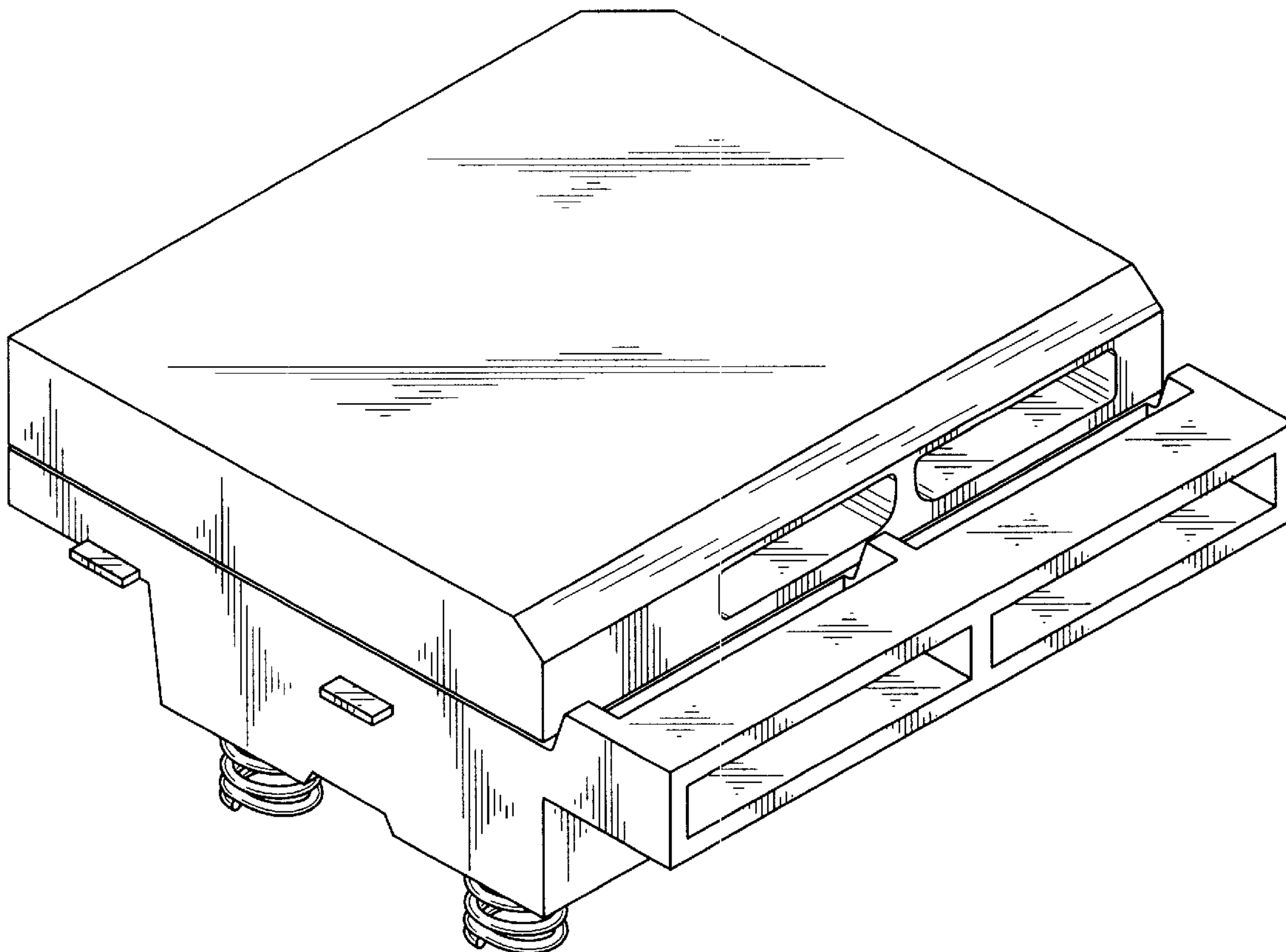
(57) **CLAIM**

The ornamental design for an audible signal for alarms, as shown.

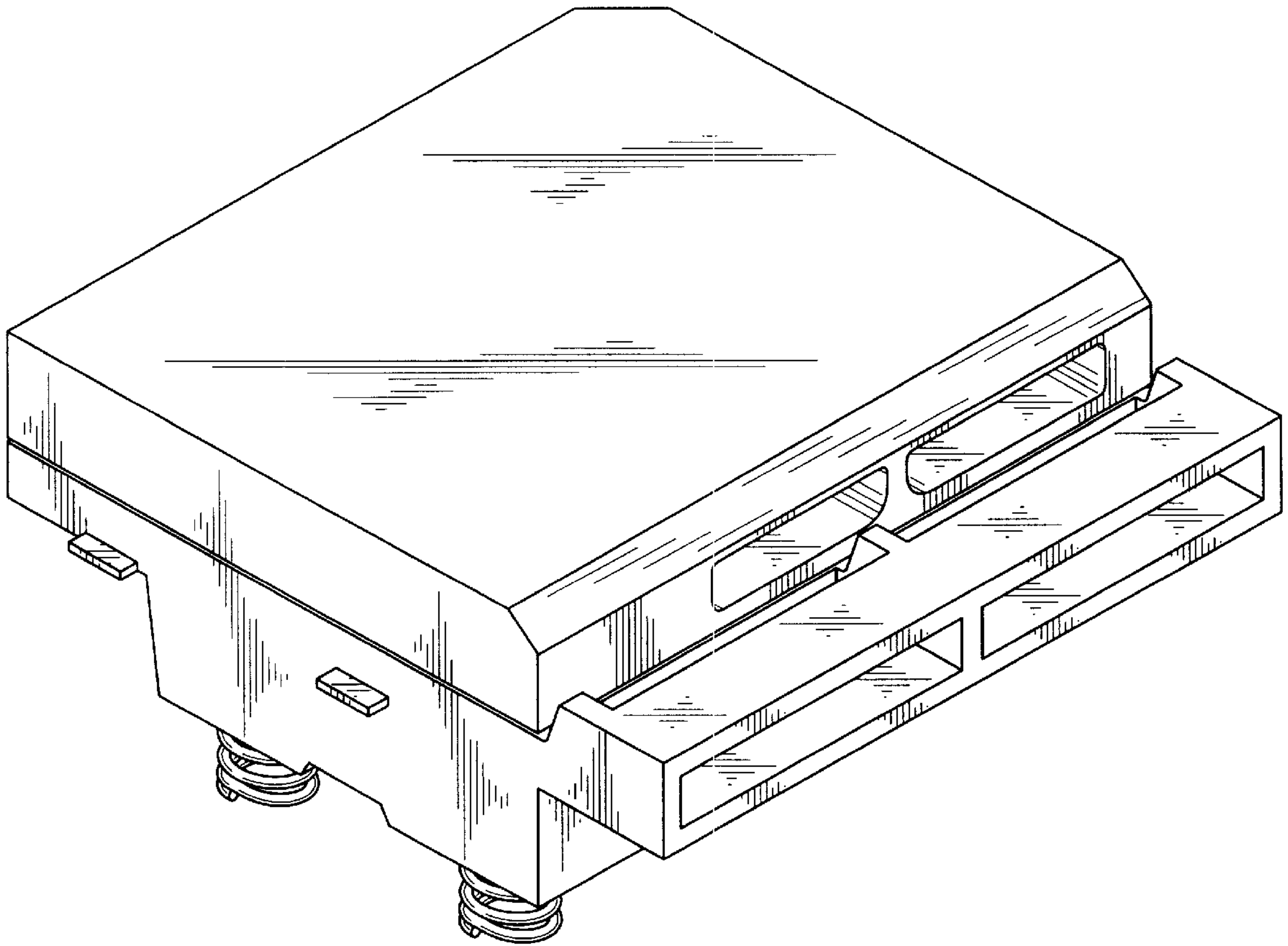
**DESCRIPTION**

FIG. 1 is a perspective view of the top, front and left side of an audible signal for alarms showing my new design; FIG. 2 is a top plan view of thereof; FIG. 3 is a front elevational view thereof; FIG. 4 is a right side elevational view thereof; FIG. 5 is a left side elevational view thereof; FIG. 6 is a rear elevational view thereof; and, FIG. 7 is a bottom plan view thereof.

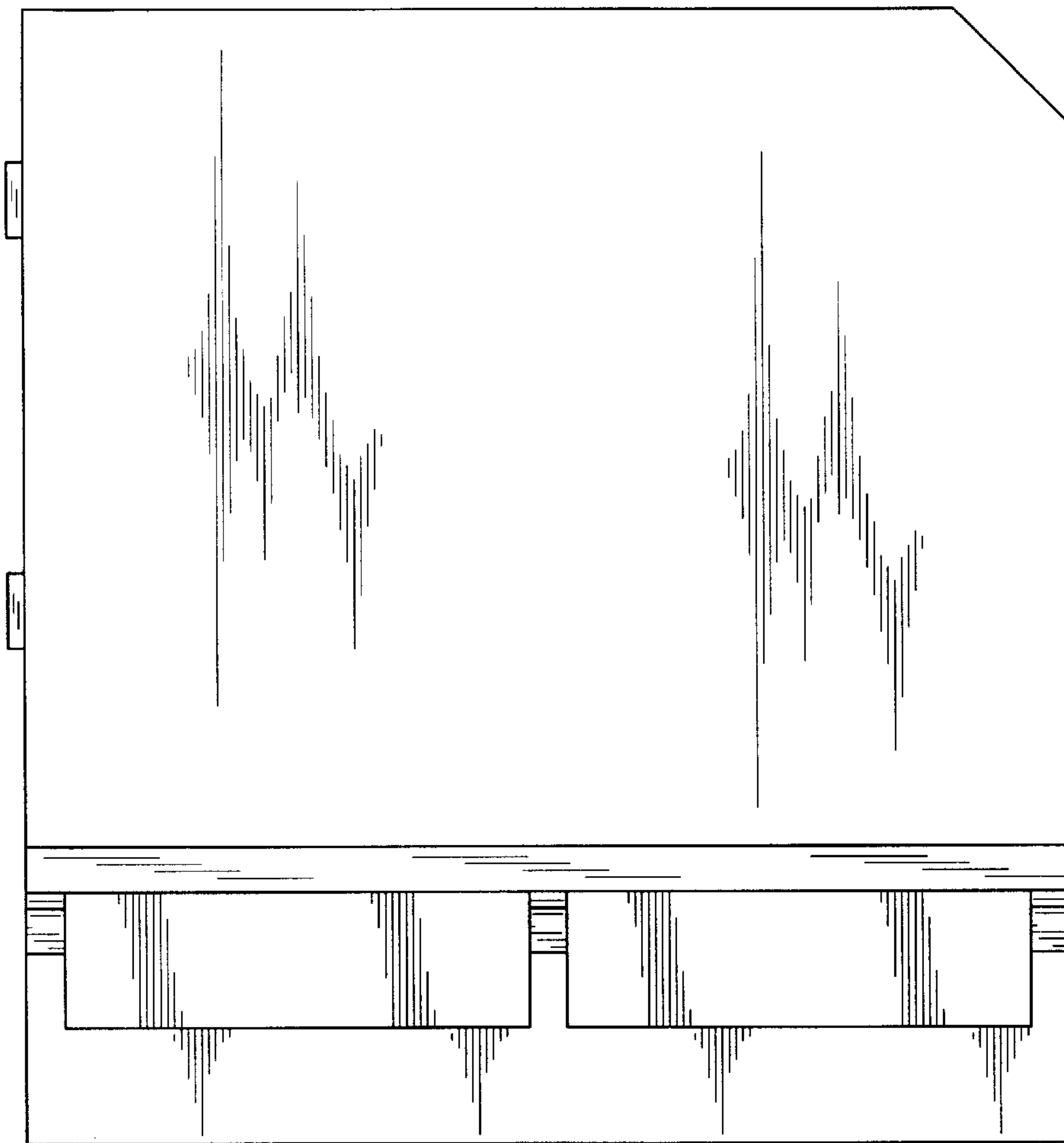
**1 Claim, 4 Drawing Sheets**



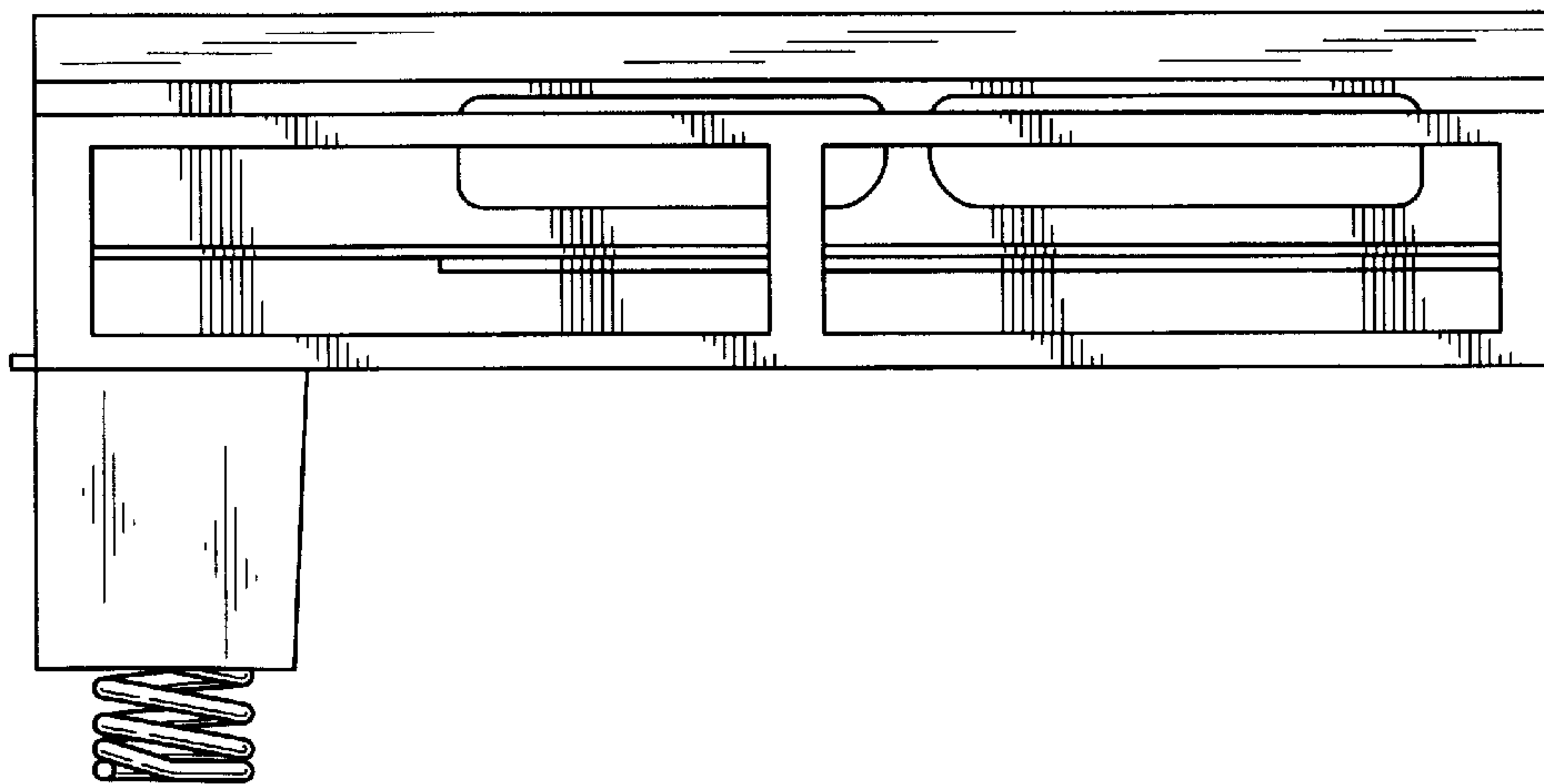
*FIG. 1*



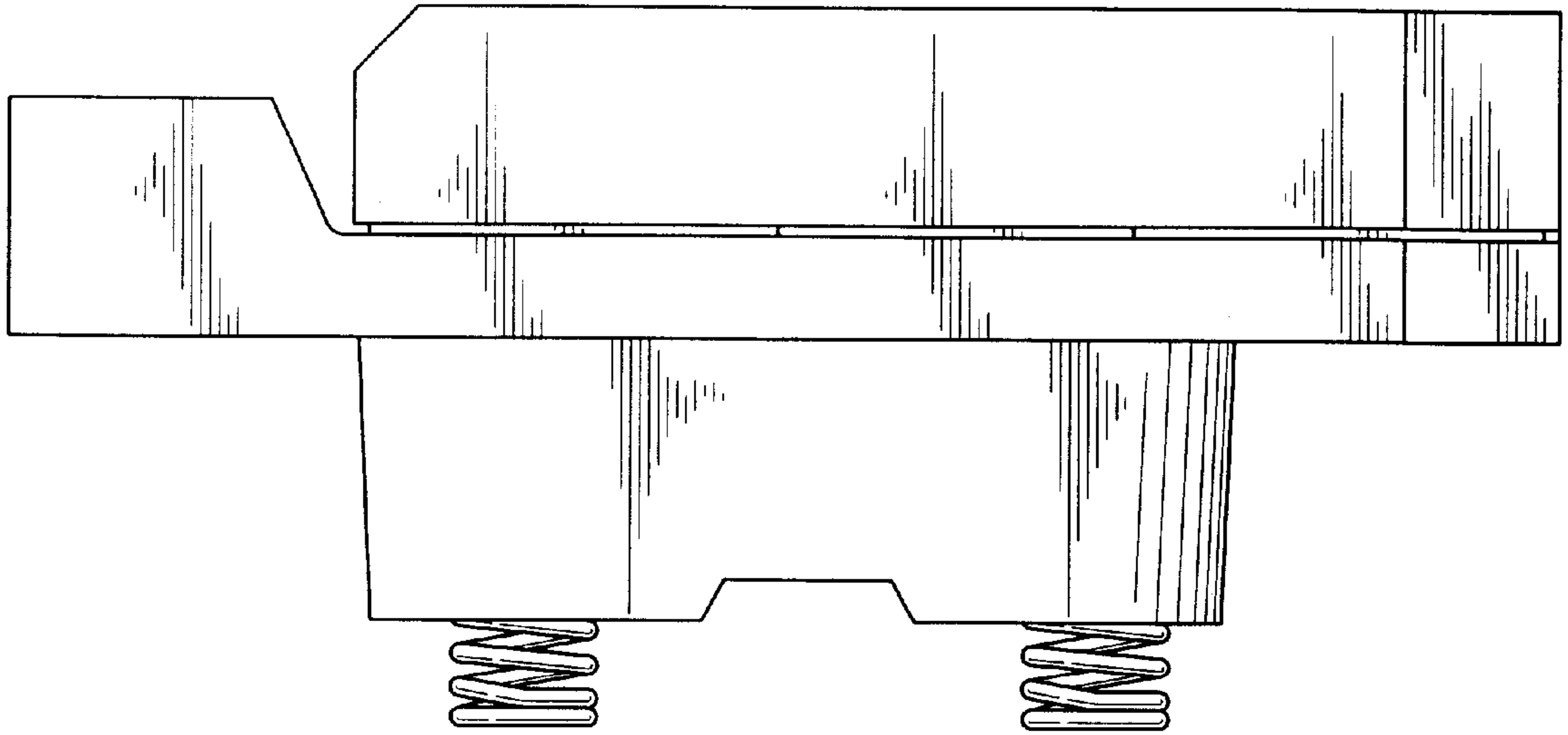
*FIG. 2*



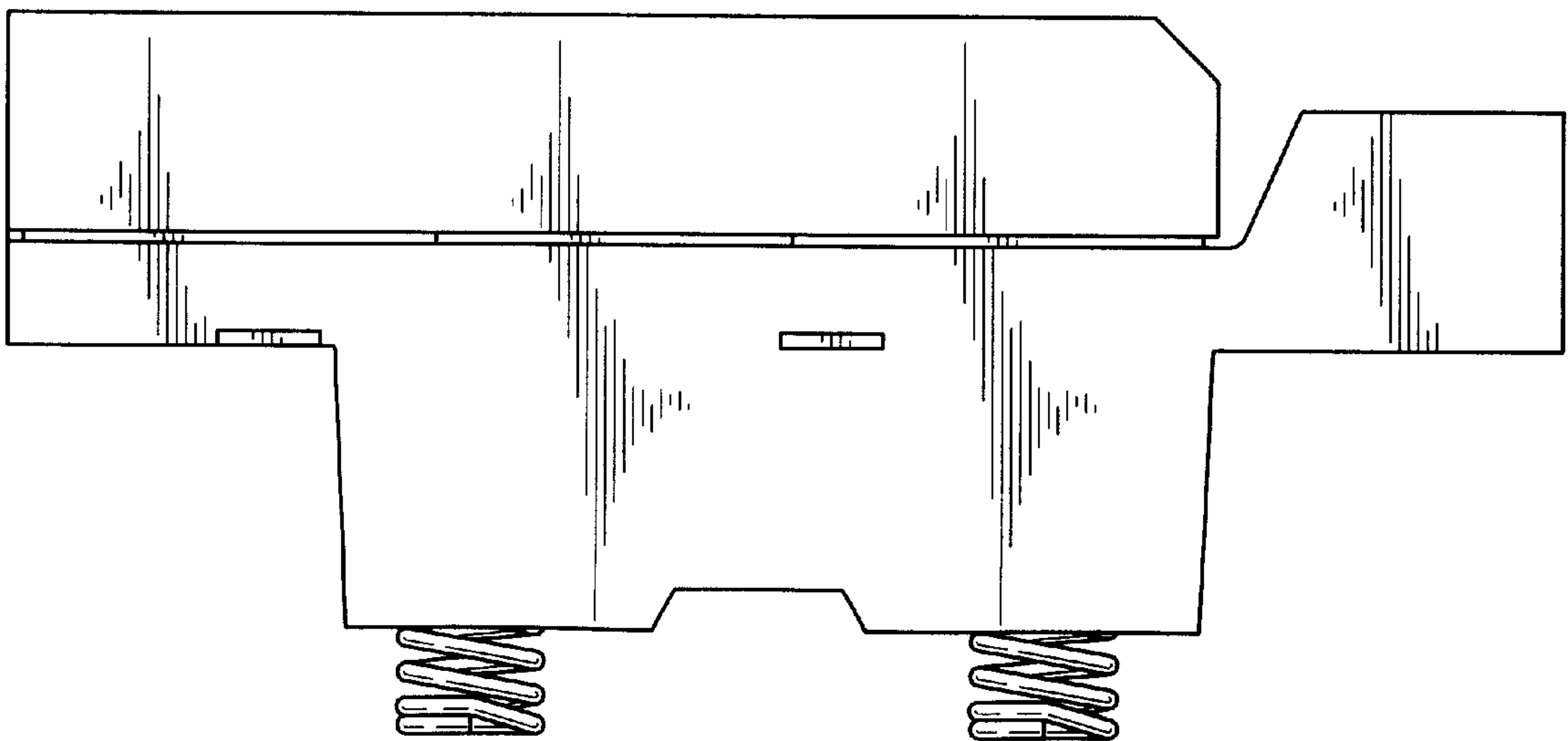
*FIG. 3*



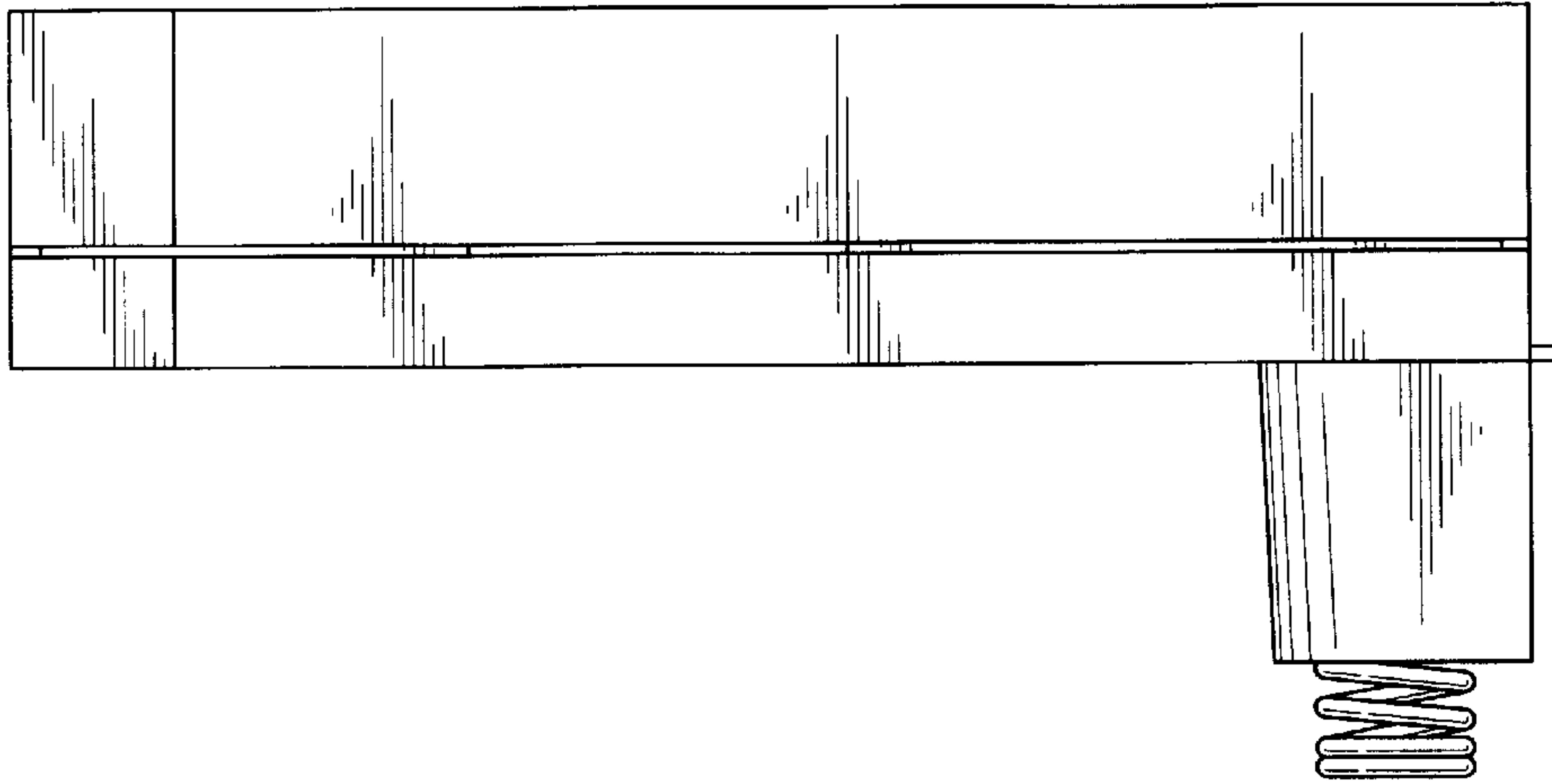
**FIG. 4**



**FIG. 5**



*FIG. 6*



*FIG. 7*

