



US00D473148S

(12) **United States Design Patent**
Kleckauskas et al.

(10) **Patent No.: US D473,148 S**

(45) **Date of Patent: ** Apr. 15, 2003**

(54) **MEASURING CUP**

(75) Inventors: **Robert Kleckauskas**, St. Charles, IL (US); **John P. Coursey**, Chicago, IL (US); **Bruce Ronner**, Glencoe, IL (US); **Robert Giacolo**, Woodridge, IL (US); **Rita Sifuentes**, Melrose Park, IL (US); **Boris Goldstein**, Glenview, IL (US)

(73) Assignee: **Arrow Plastic Manufacturing Co.**, Elk Grove, IL (US)

(**) Term: **14 Years**

(21) Appl. No.: **29/160,950**

(22) Filed: **May 17, 2002**

(51) **LOC (7) Cl.** **10-04**

(52) **U.S. Cl.** **D10/46.2**

(58) **Field of Search** D10/46.2, 46.3;
D7/312, 316, 318; 73/426-429; 222/23,
25, 26

(56) **References Cited**

U.S. PATENT DOCUMENTS

D287,324 S * 12/1986 Schmidt D10/46.2
5,235,853 A * 8/1993 Froes 73/427

OTHER PUBLICATIONS

Perfect measurements, Good Grips Angled Measuring Cups from Oxo, Good Housekeeping, Jan. 2002, p. 47.

* cited by examiner

Primary Examiner—Terry A. Wallace

(74) *Attorney, Agent, or Firm*—Wood, Phillips, Katz, Clark & Mortimer

(57) **CLAIM**

The ornamental design for a measuring cup, substantially as shown and described.

DESCRIPTION

FIG. 1 is a perspective view of a measuring cup embodying the present invention;
FIG. 2 is a side elevational view thereof, the opposite side elevational view being a mirror image thereof;
FIG. 3 is a front elevational view thereof;
FIG. 4 is a rear elevational view thereof;
FIG. 5 is a top plan view thereof;
FIG. 6 is a bottom plan view thereof;
FIG. 7 is a perspective view of an alternate embodiment of the present invention;
FIG. 8 is a side elevational view thereof, the opposite side elevational view being a mirror image thereof;
FIG. 9 is a front elevational view thereof;
FIG. 10 is a rear elevational view thereof;
FIG. 11 is a top plan view thereof;
FIG. 12 is a bottom plan view thereof;
FIG. 13 is a perspective view of a further alternate embodiment of the present invention;
FIG. 14 is a side elevational view thereof, the opposite side elevational view being a mirror image thereof;
FIG. 15 is a front elevational view thereof;
FIG. 16 is a rear elevational view thereof;
FIG. 17 is a top plan view thereof; and,
FIG. 18 is a bottom plan view thereof.

1 Claim, 9 Drawing Sheets

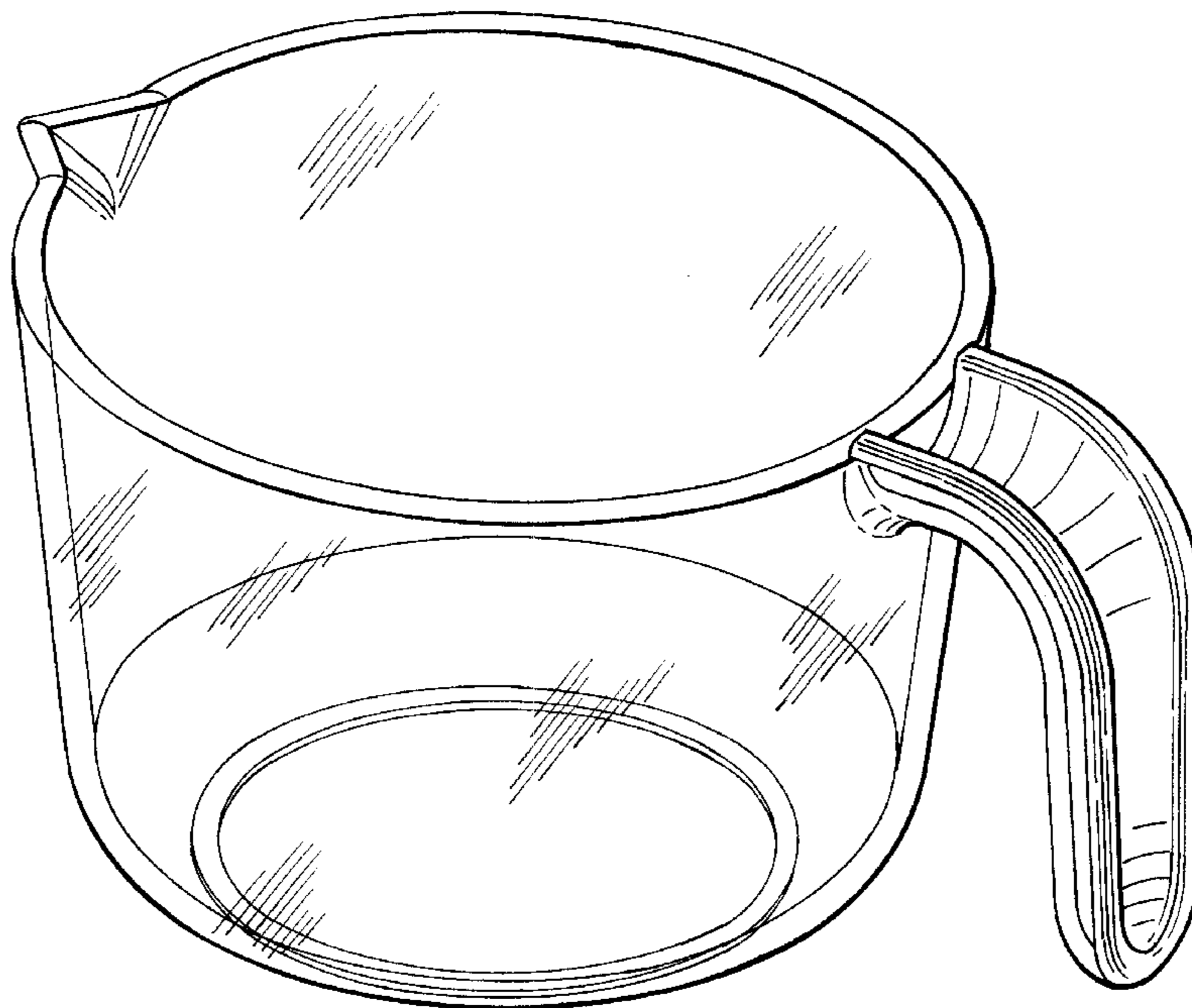


FIG. 1

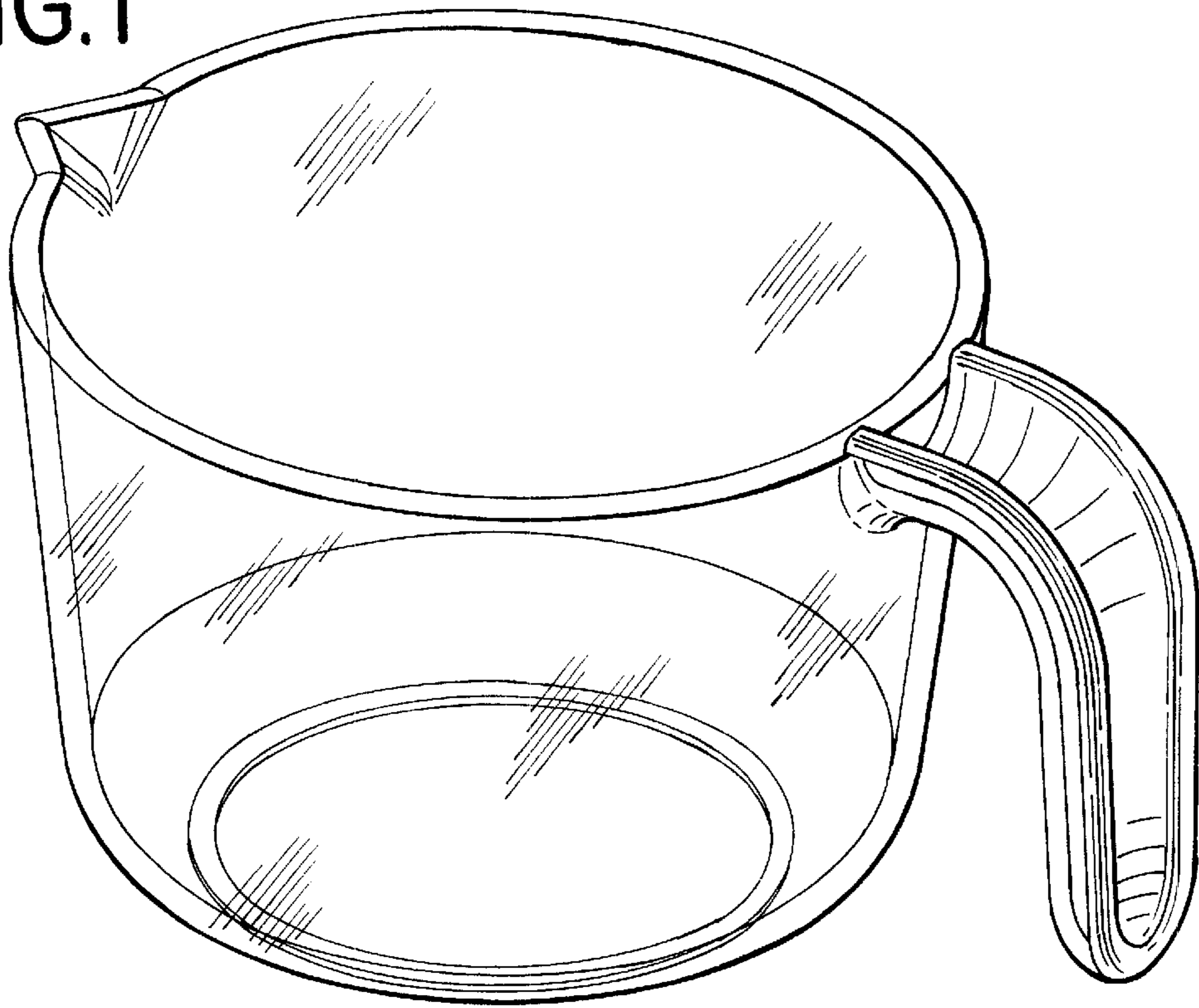


FIG. 2

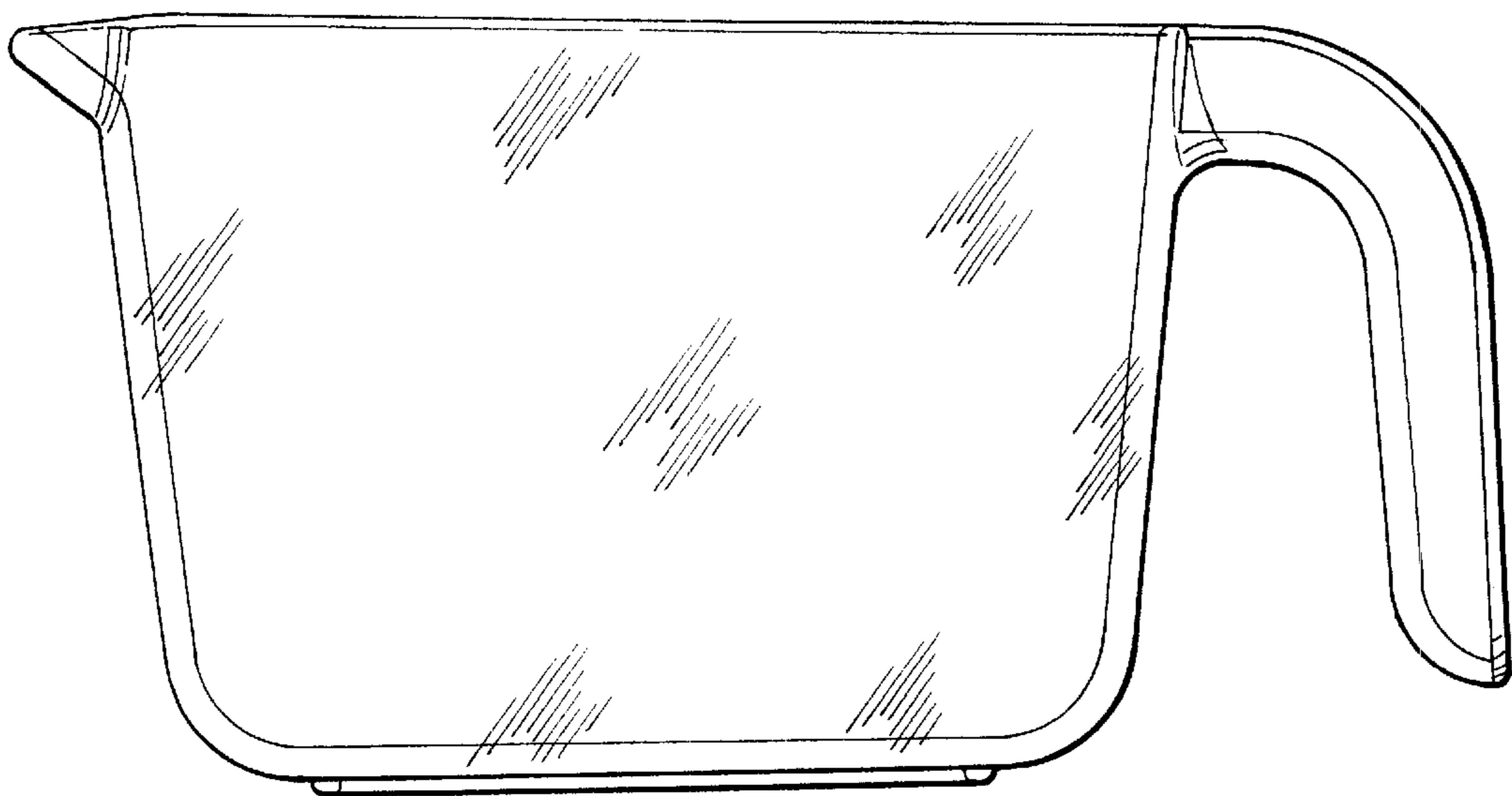


FIG.3

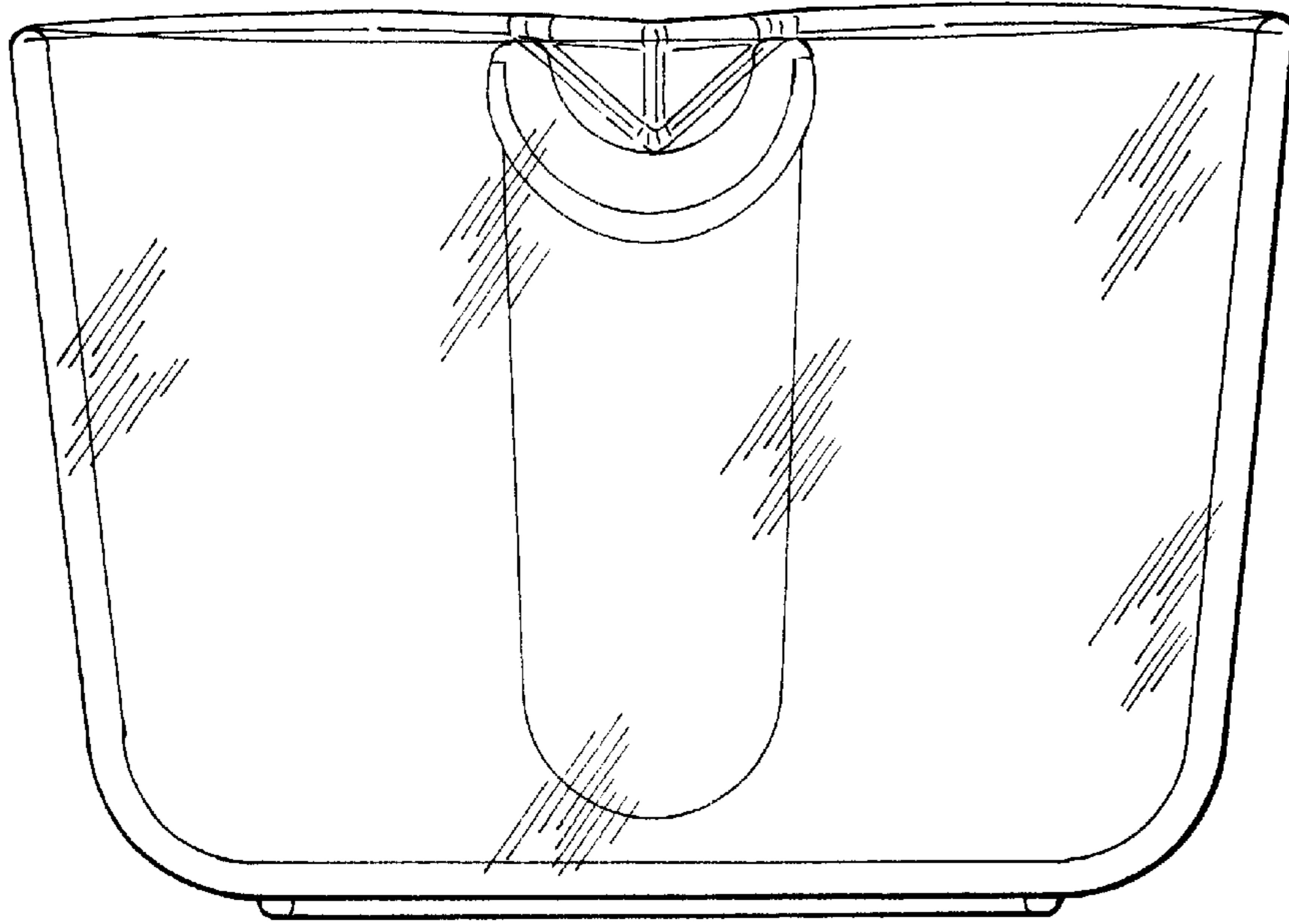


FIG.4

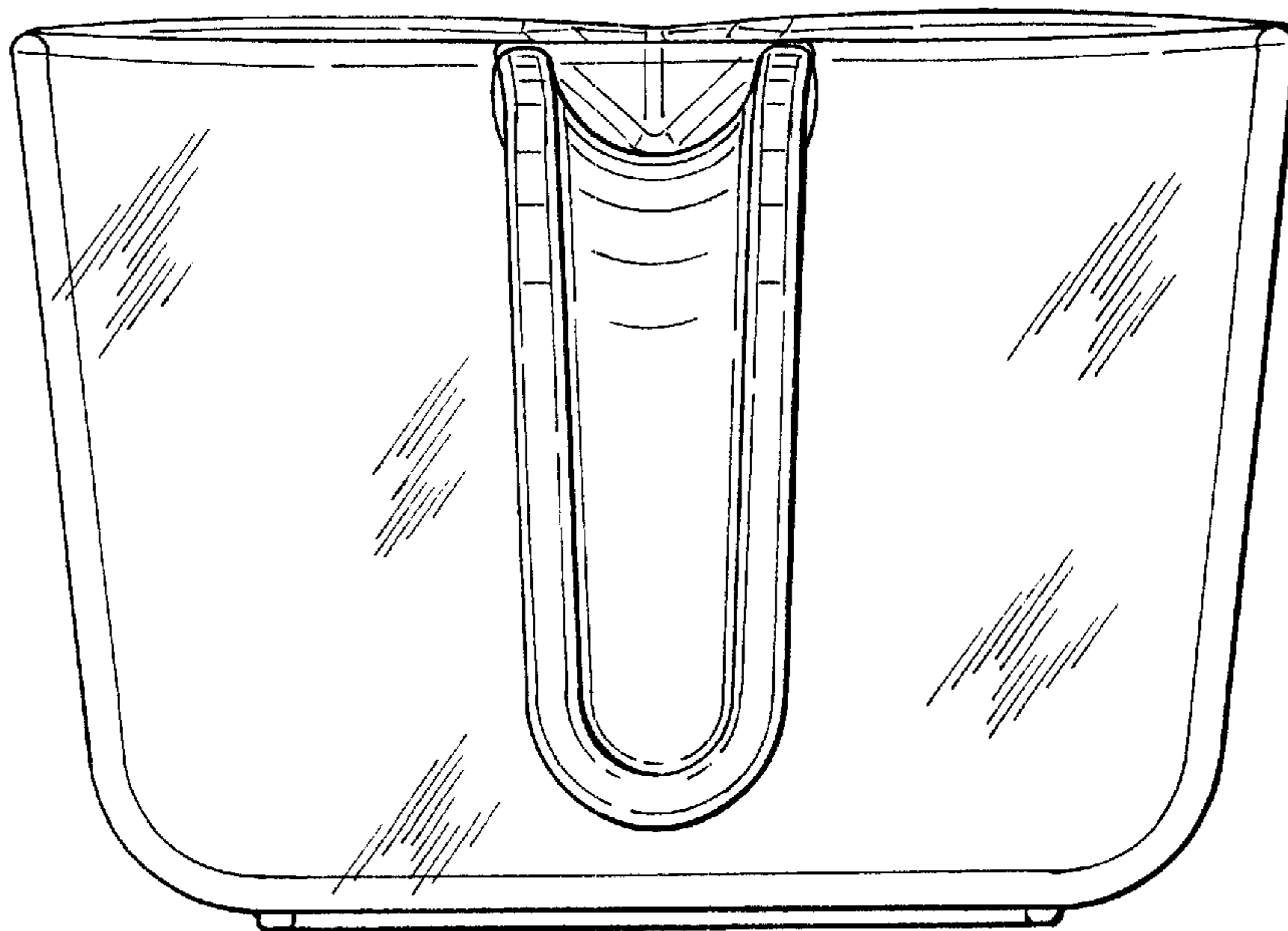


FIG.5

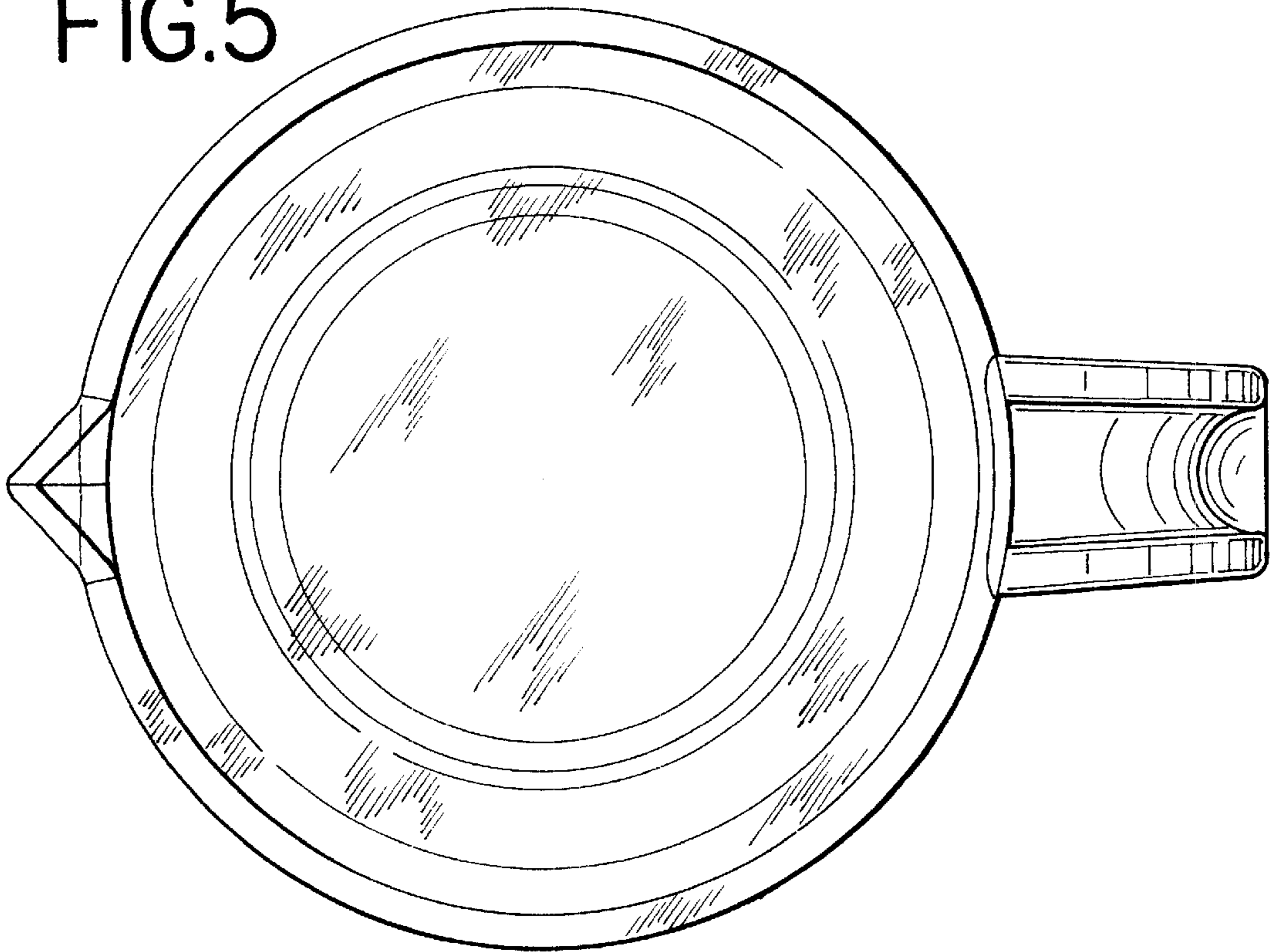


FIG.6

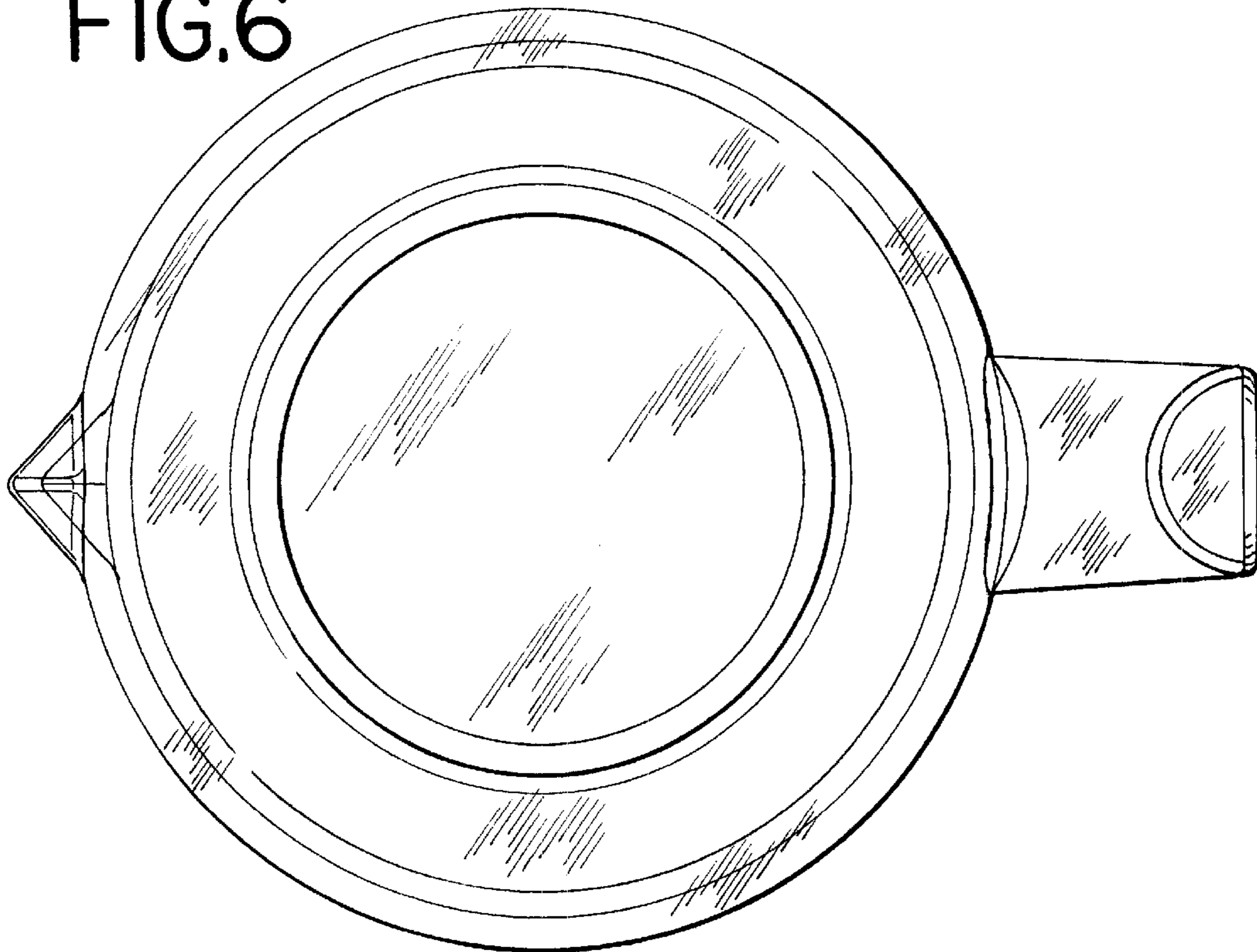


FIG.7

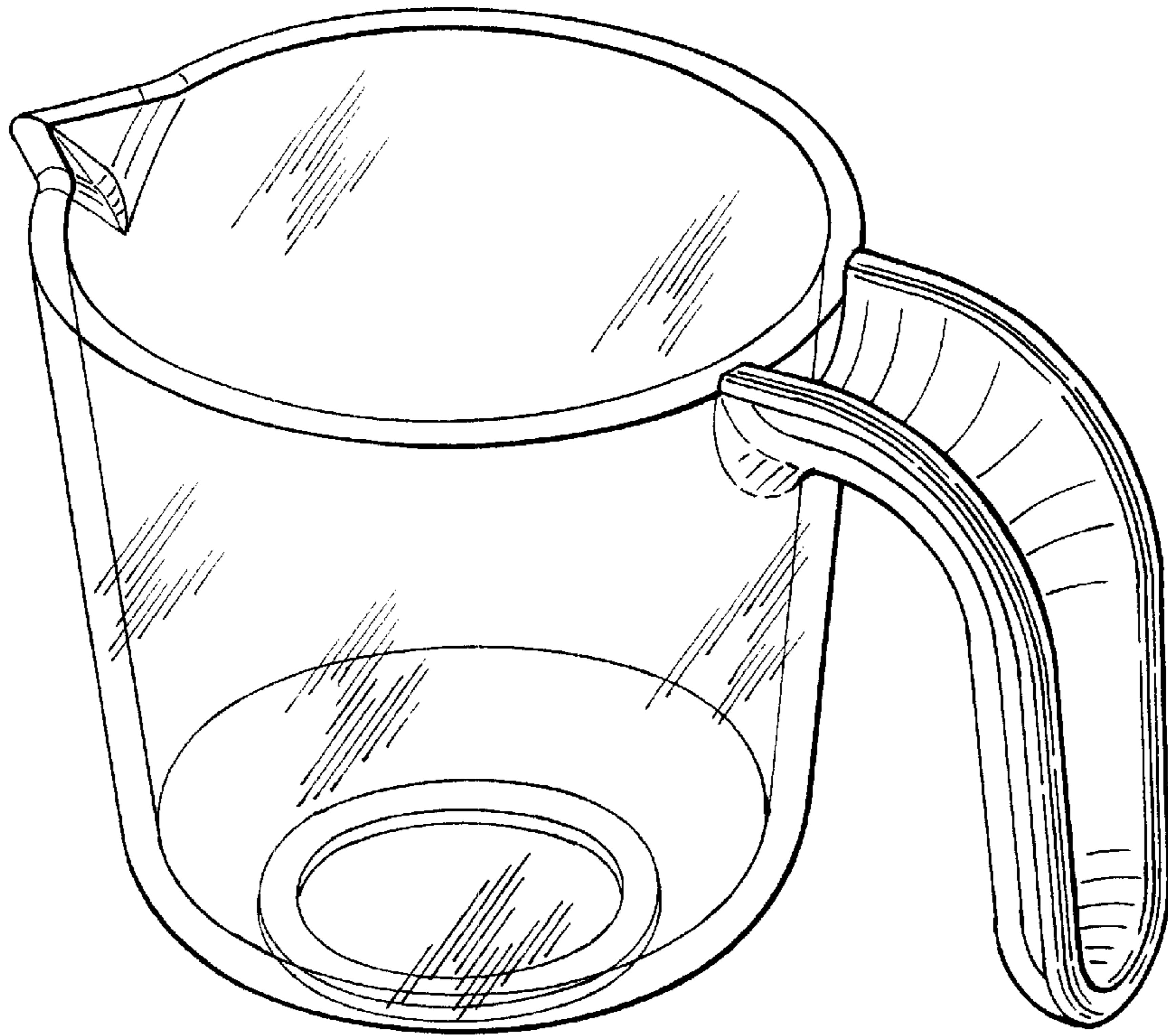


FIG.8

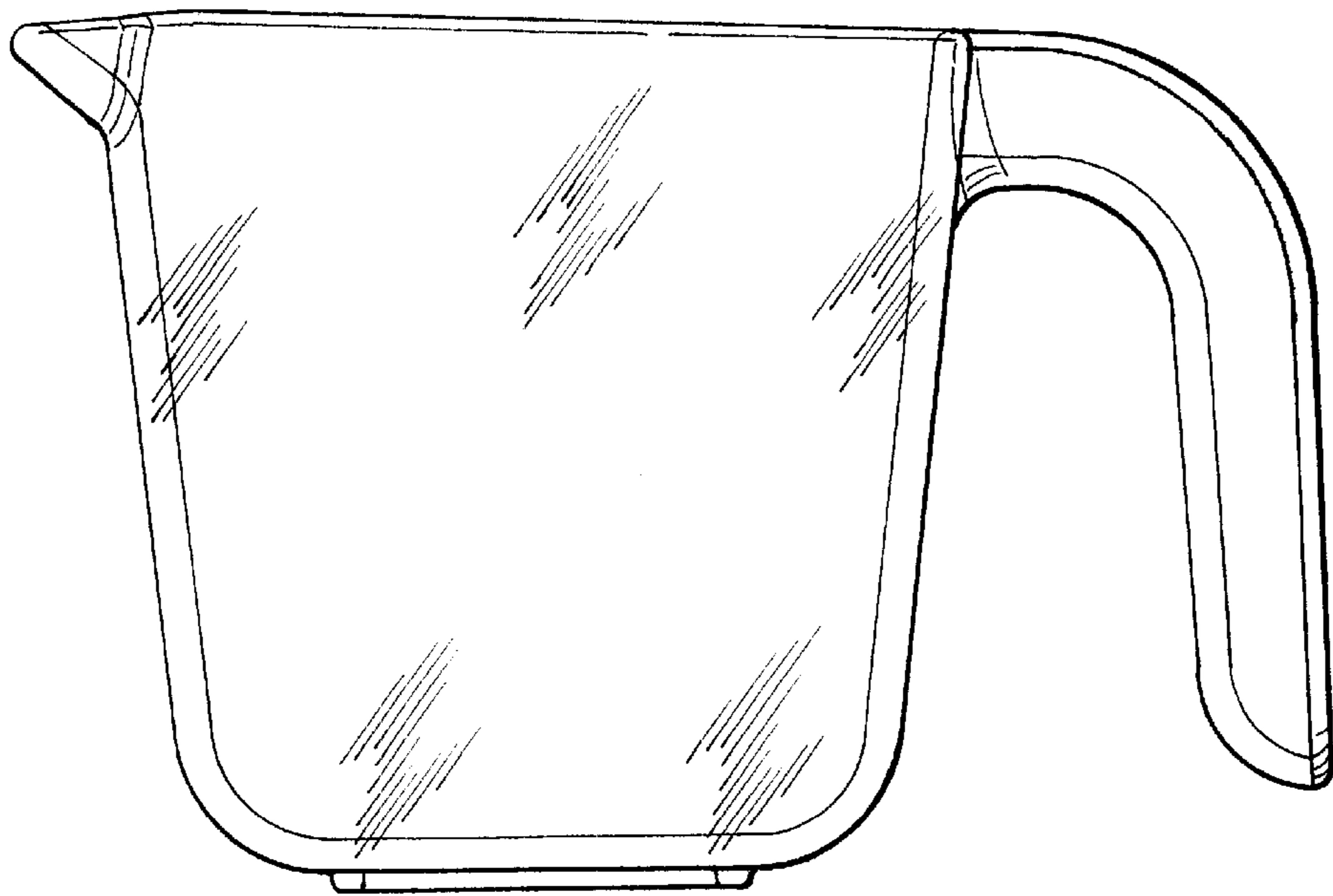


FIG. 9

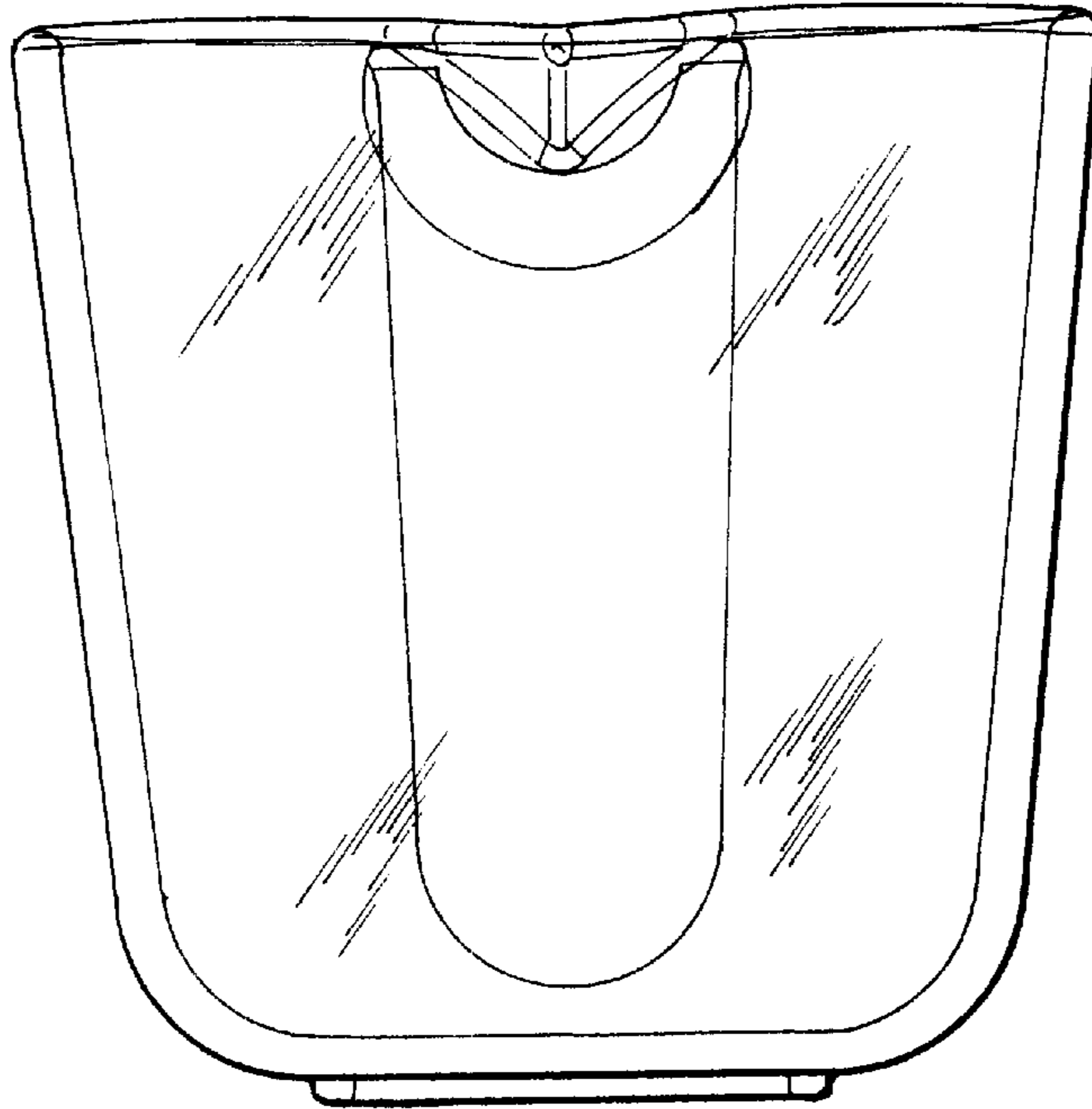


FIG. 10

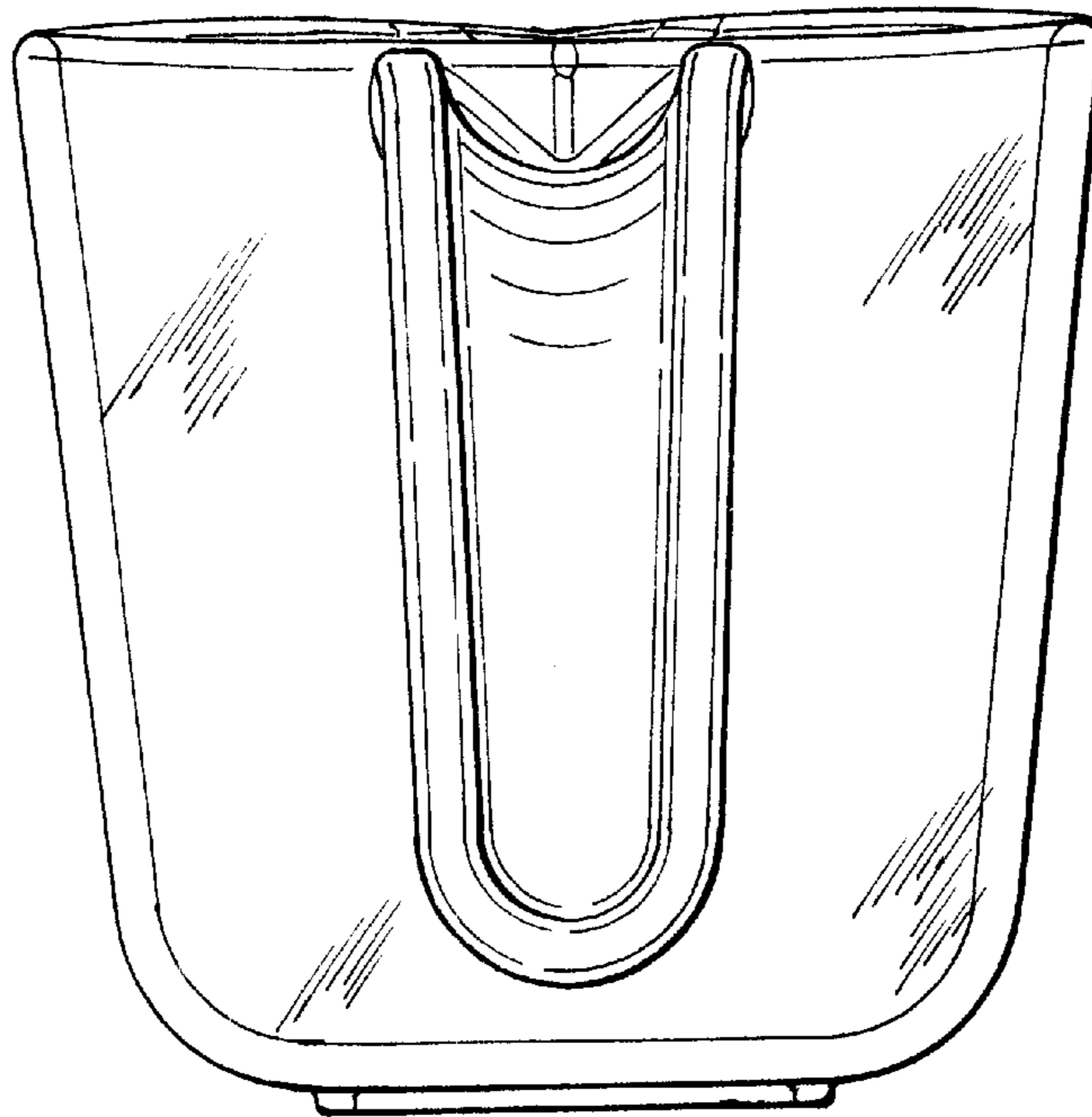


FIG.11

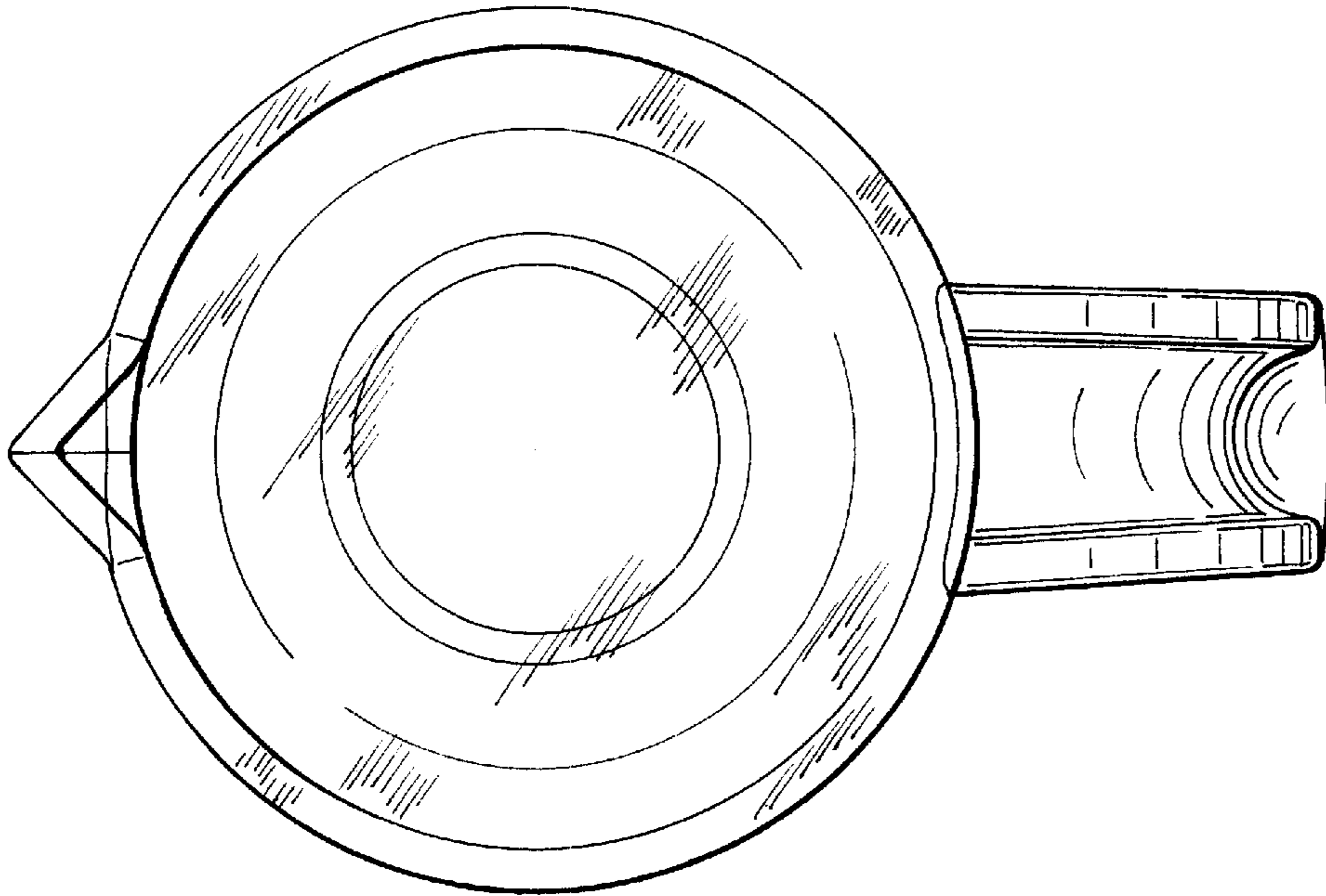


FIG.12

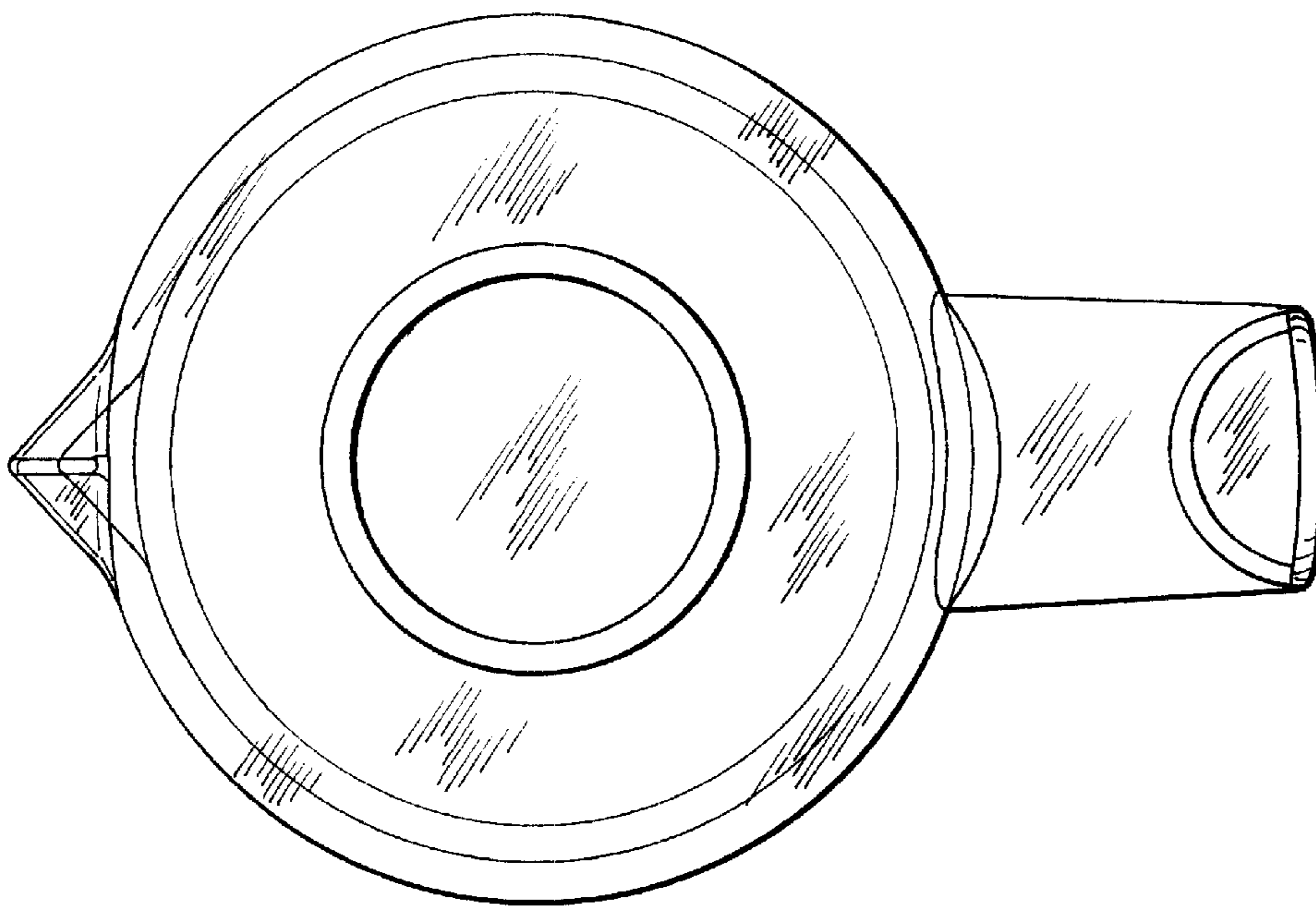


FIG. 13

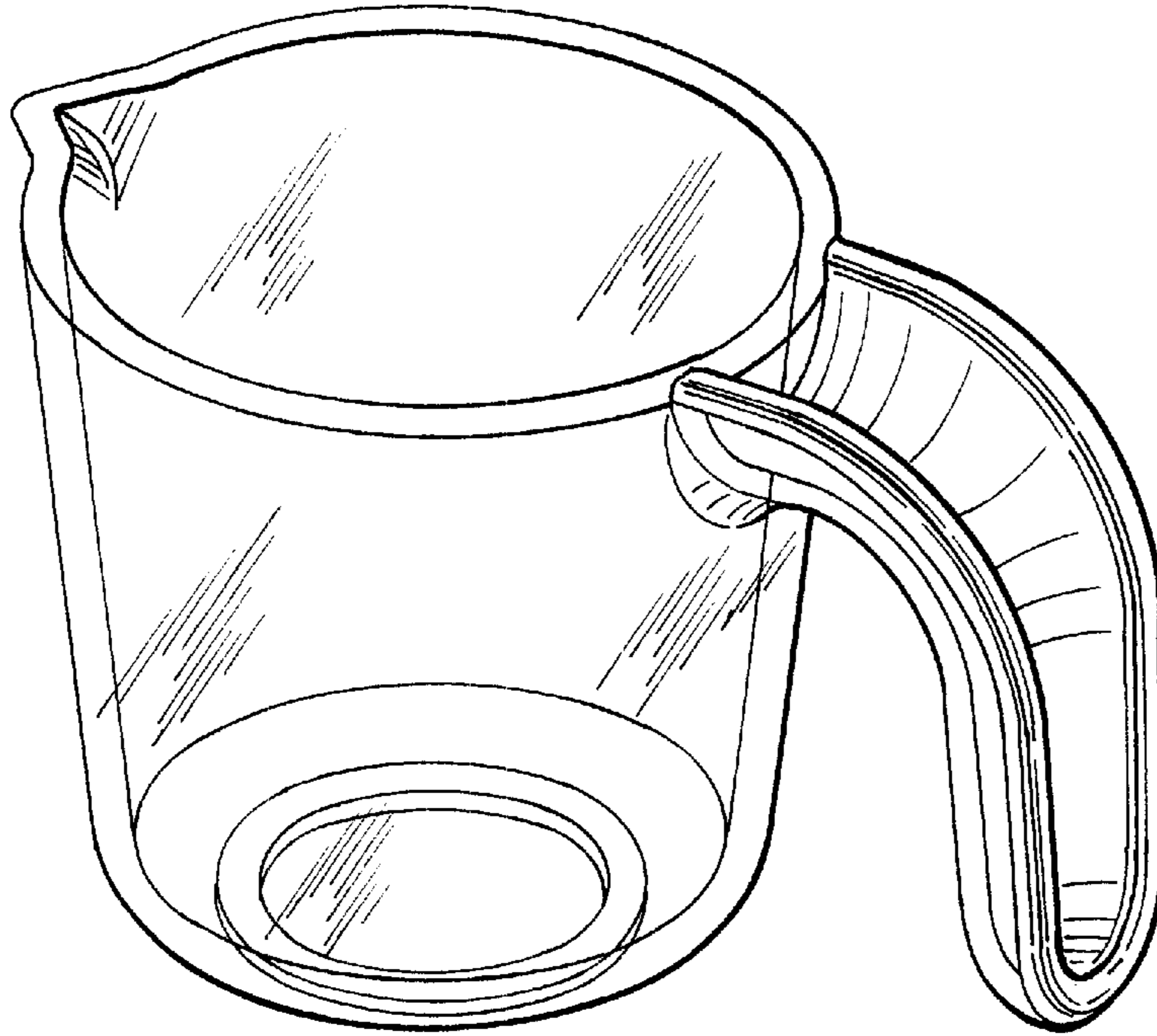


FIG. 14

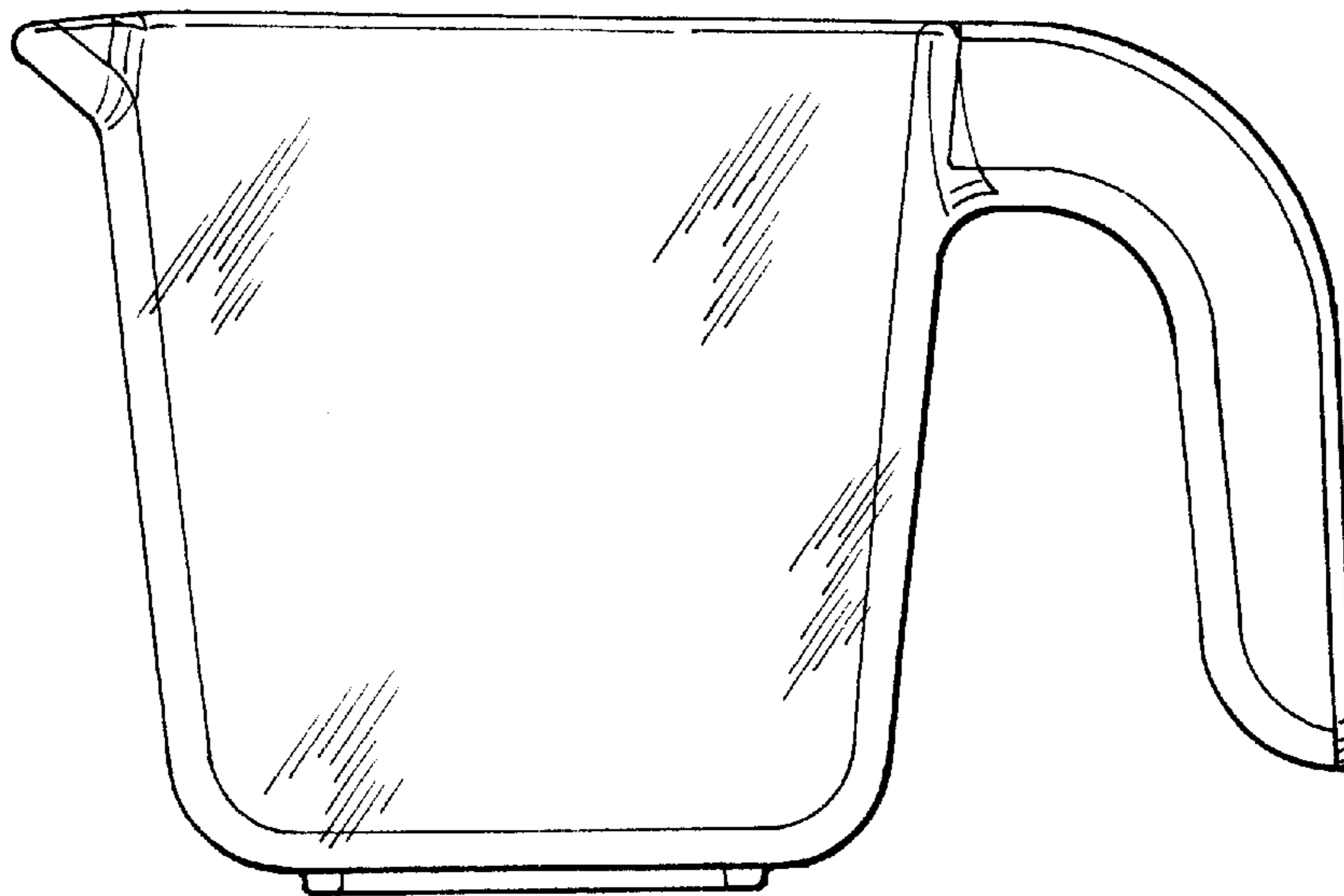


FIG. 15

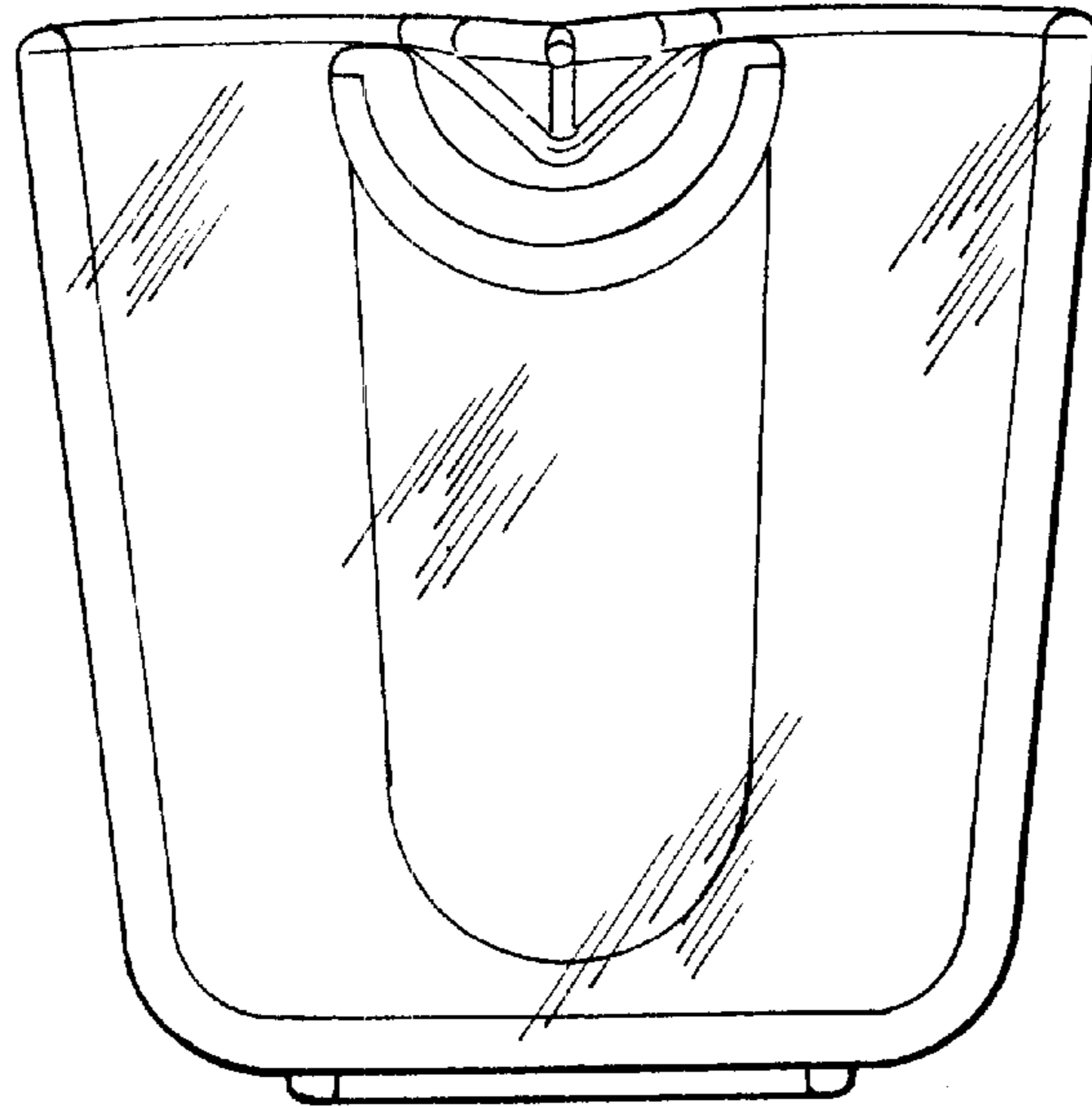


FIG. 16

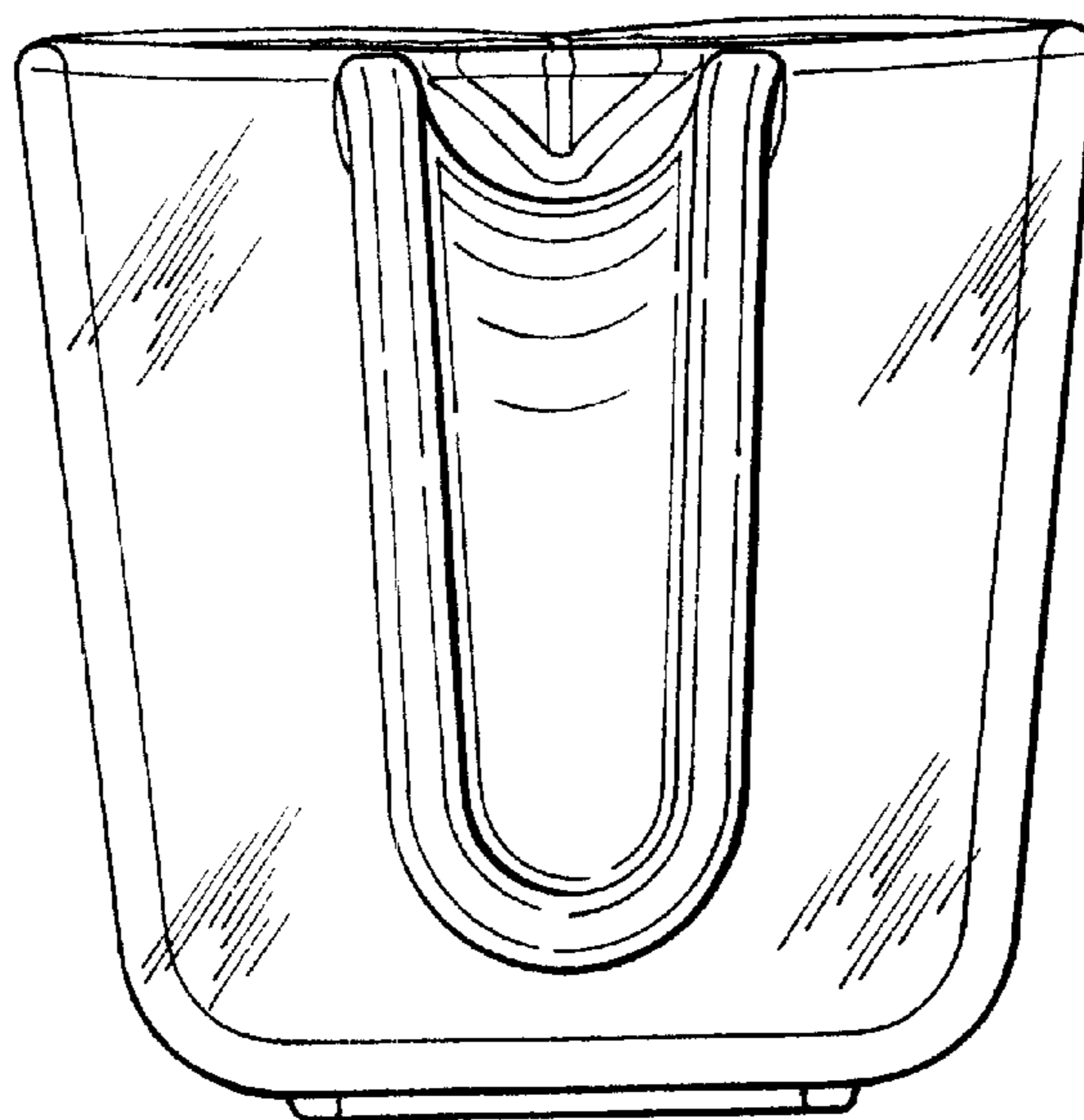


FIG.17

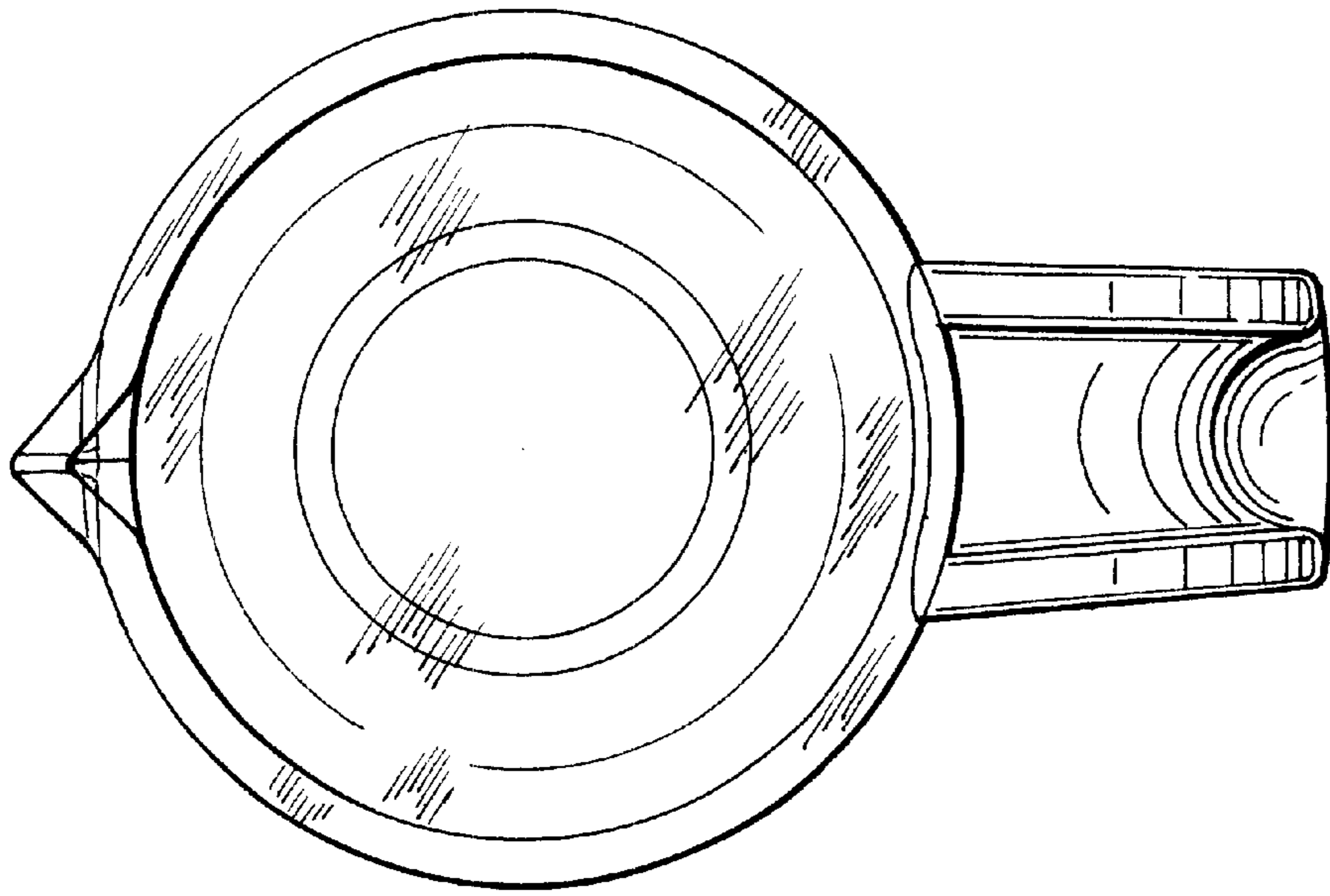


FIG.18

