



US00D473145S

(12) **United States Design Patent**
Chang

(10) **Patent No.:** **US D473,145 S**

(45) **Date of Patent:** **** Apr. 15, 2003**

(54) **CLOCK WITH PHOTO FRAME**

(75) **Inventor:** **Eddie Chang, Kowloon (HK)**

(73) **Assignee:** **Man Nin Shing Company Limited, Kowloon (HK)**

(**) **Term:** **14 Years**

(21) **Appl. No.:** **29/163,928**

(22) **Filed:** **Jul. 16, 2002**

(30) **Foreign Application Priority Data**

Apr. 20, 2002 (HK) 0210538

(51) **LOC (7) Cl.** **10-01**

(52) **U.S. Cl.** **D10/2; D6/300**

(58) **Field of Search** D10/1-40, 122-132;
368/276-277, 285, 316-317, 10; D6/300,
314; 40/728, 722-723

(56) **References Cited**

U.S. PATENT DOCUMENTS

D98,769 S	*	3/1936	Horwitt	D10/15
D100,697 S	*	8/1936	Himmel	D10/10 X
D102,690 S	*	1/1937	Koolish	D10/10
D158,699 S	*	5/1950	Wasilevich	D6/314 X
2,907,166 A	*	10/1959	Baccara	368/24
D275,062 S	*	8/1984	Sorko-Ram et al.	D6/300
D326,614 S	*	6/1992	Hwang	D10/15
D358,550 S	*	5/1995	Takashima	D10/24
D359,696 S	*	6/1995	Lee	D10/28
D360,139 S	*	7/1995	Pistilli	D10/15

D361,040 S	*	8/1995	Shinozaki	D10/23
D367,560 S	*	3/1996	Kwan	D6/310
D369,299 S	*	4/1996	Ling	D10/15
D375,411 S	*	11/1996	Hawkins	D6/314
D384,824 S	*	10/1997	Johnson	D6/314
D387,566 S	*	12/1997	Celentano et al.	D6/300
D396,559 S	*	8/1998	Mullen	D6/301
D397,894 S	*	9/1998	Ballone	D6/559
D406,699 S	*	3/1999	Mullen	D6/300
D435,460 S	*	12/2000	Cebe et al.	D10/31
D461,962 S	*	8/2002	Ingolfsson	D6/314
D467,186 S	*	12/2002	Chen	D10/15

* cited by examiner

Primary Examiner—Nelson C. Holtje

(74) *Attorney, Agent, or Firm*—Rabin & Berdo, P.C.

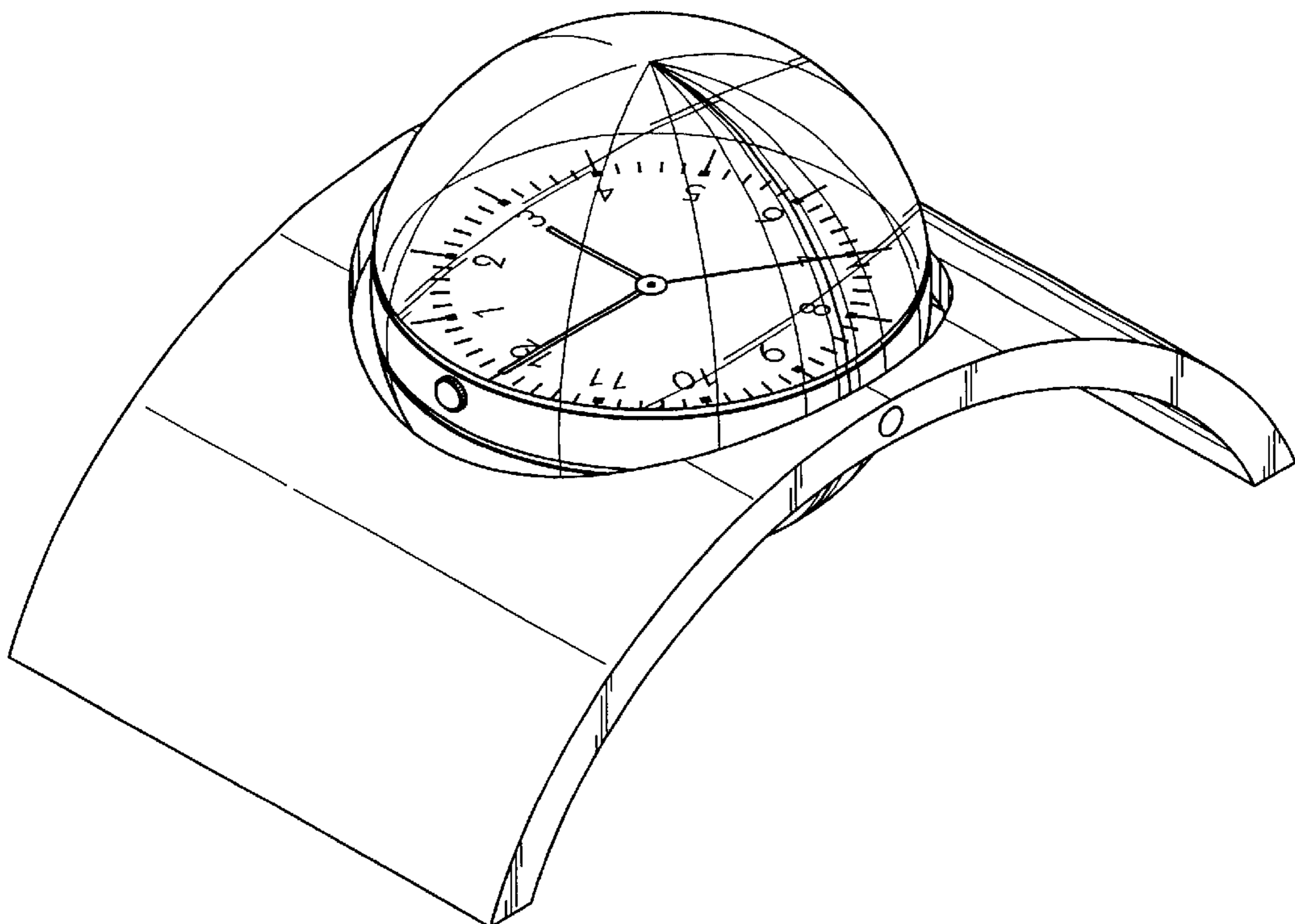
(57) **CLAIM**

The ornamental design for a clock with photo frame, as shown and described.

DESCRIPTION

FIG. 1 is a perspective view of a clock with photo frame showing my new design;
 FIG. 2 is a perspective view with parts rotated;
 FIG. 3 is a front view thereof;
 FIG. 4 is a rear view thereof;
 FIG. 5 is a top plan view thereof;
 FIG. 6 is a bottom plan view thereof;
 FIG. 7 is a left side view thereof; and,
 FIG. 8 is a right side view thereof.

1 Claim, 4 Drawing Sheets



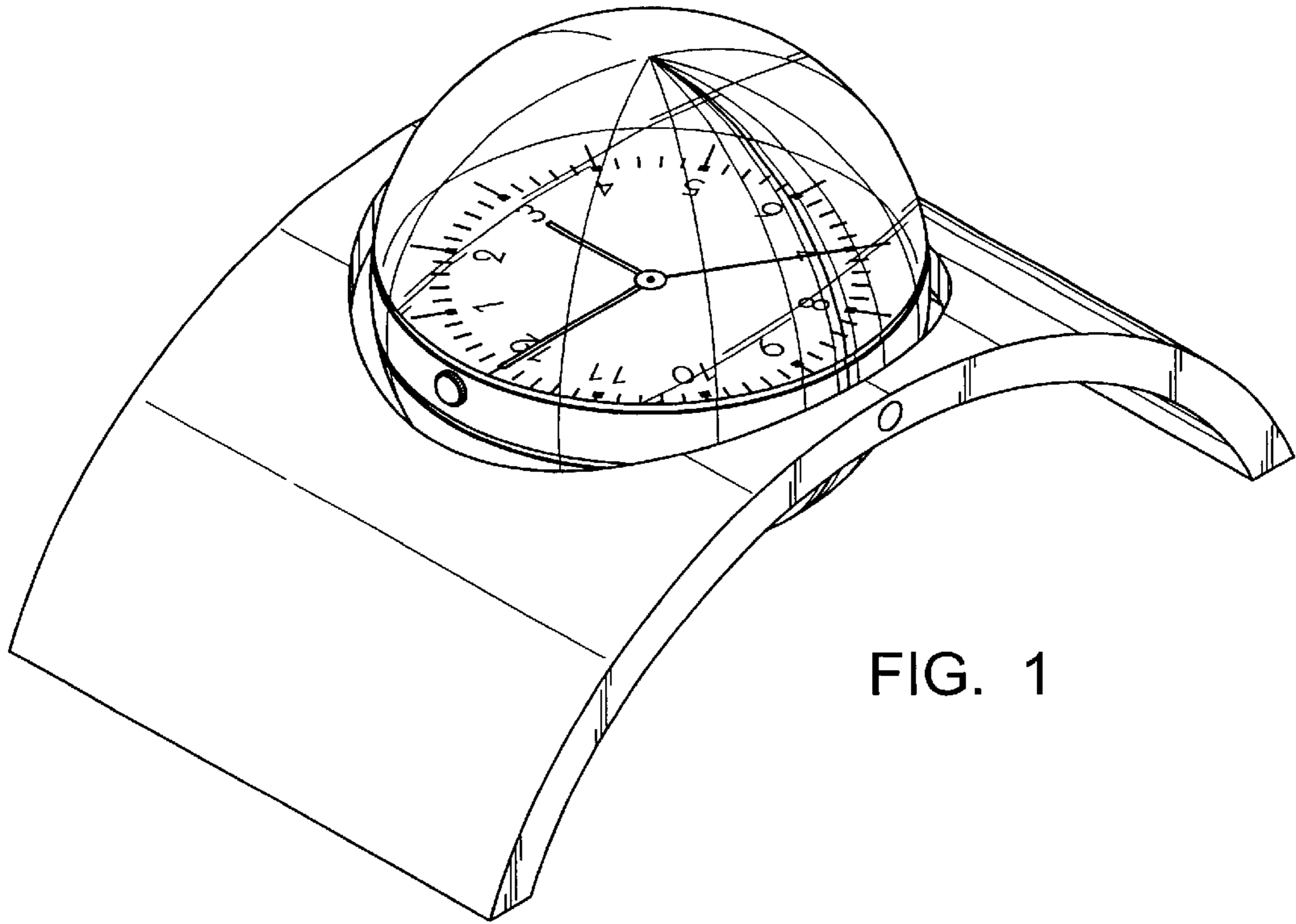


FIG. 1

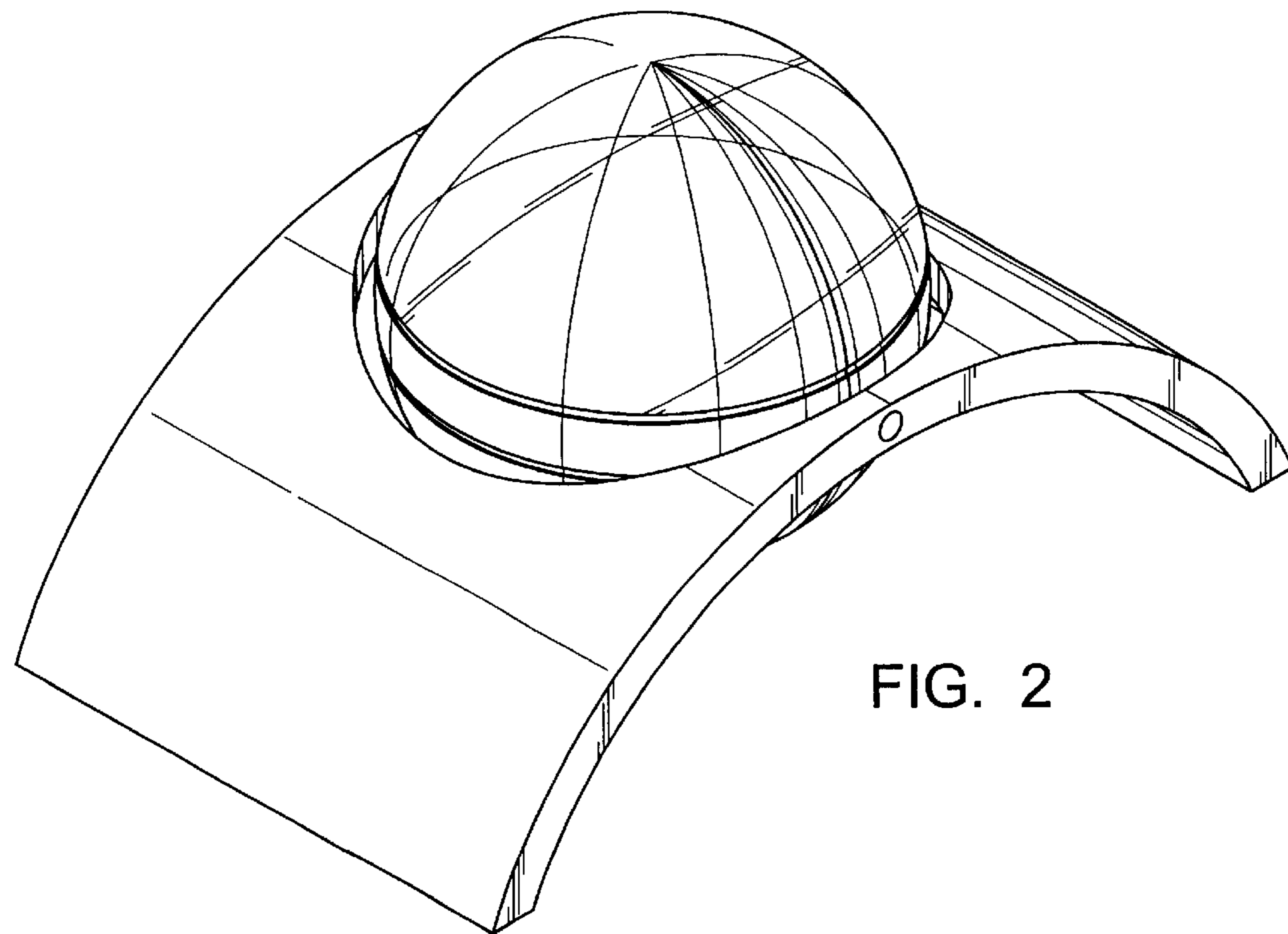


FIG. 2

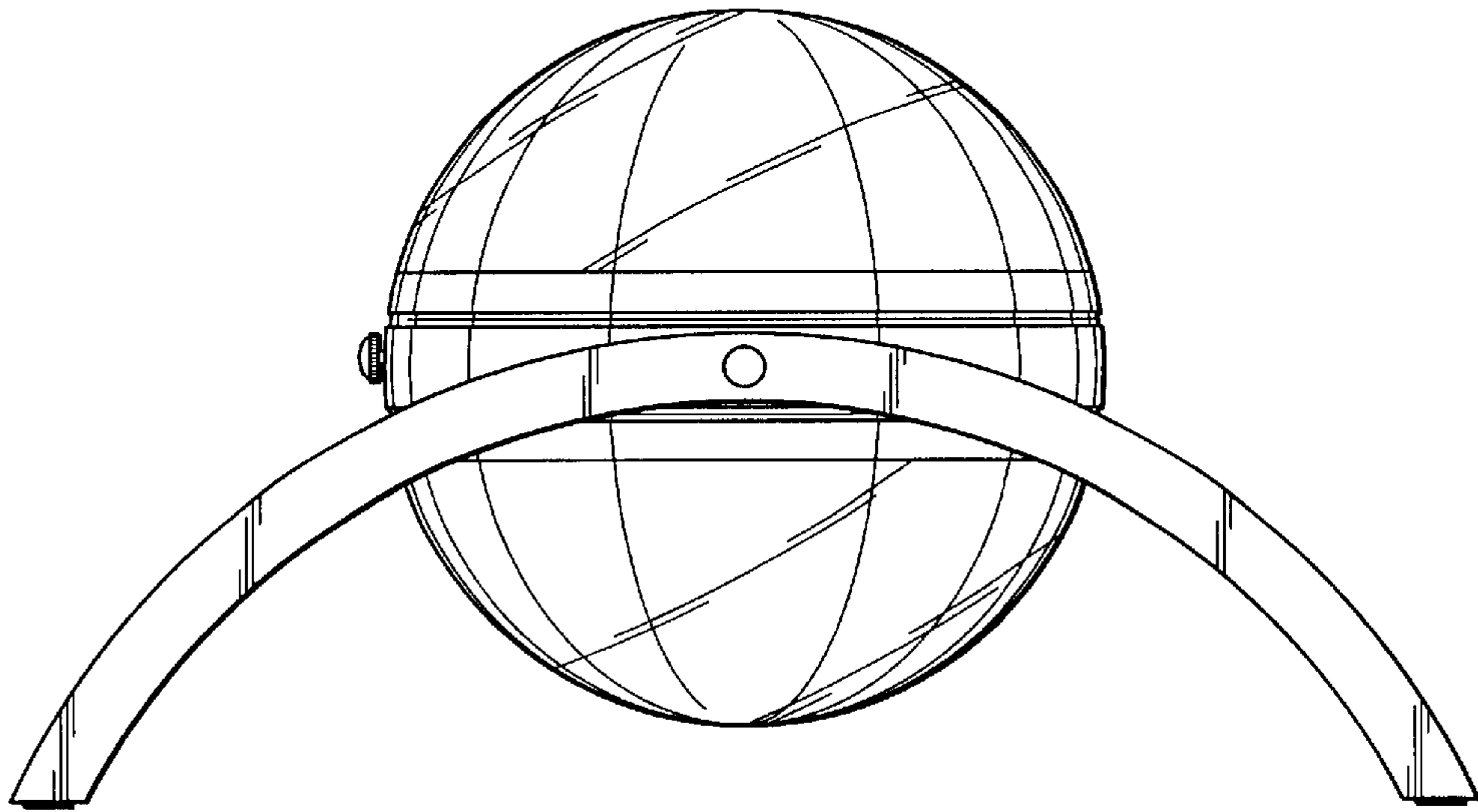


FIG. 3

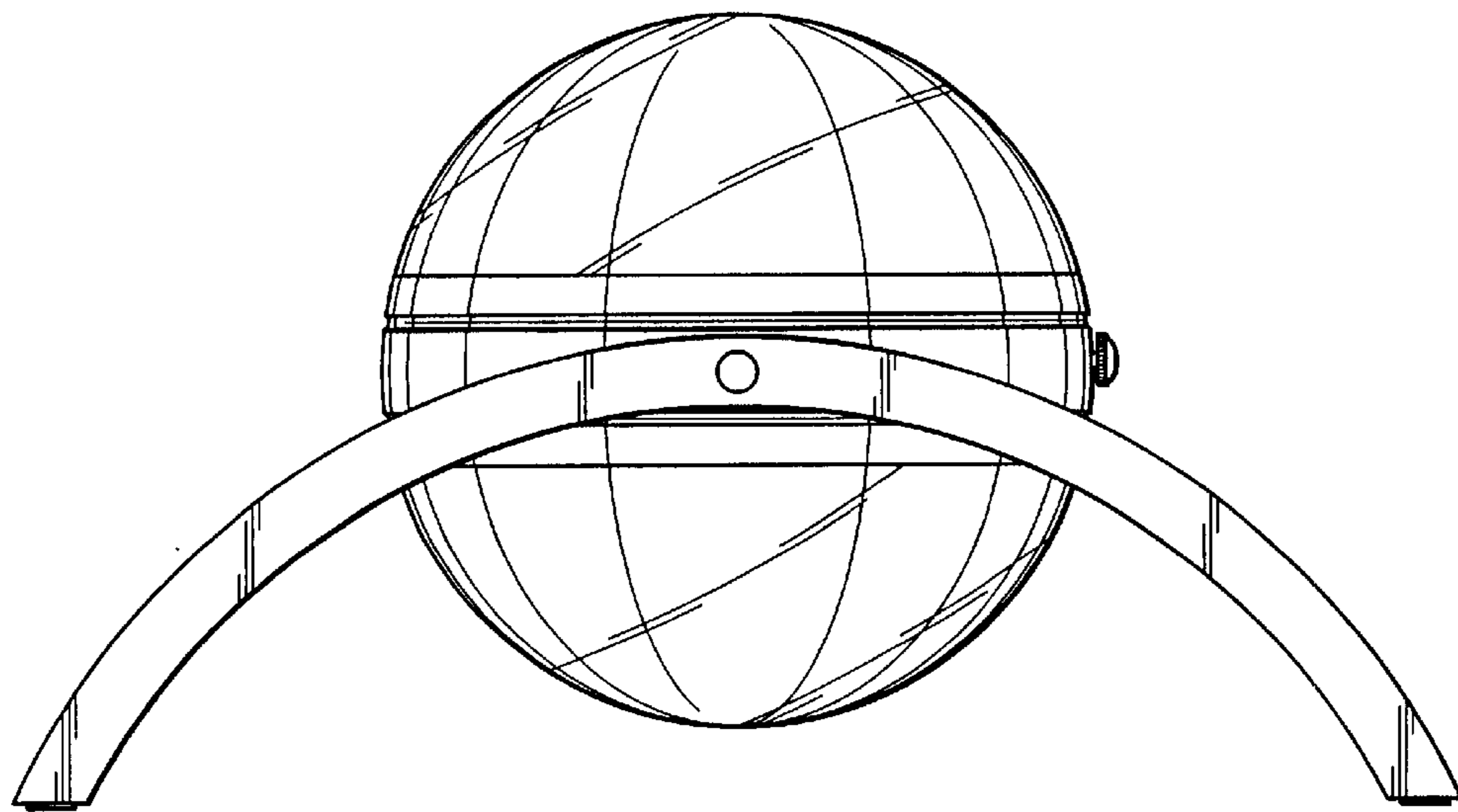


FIG. 4

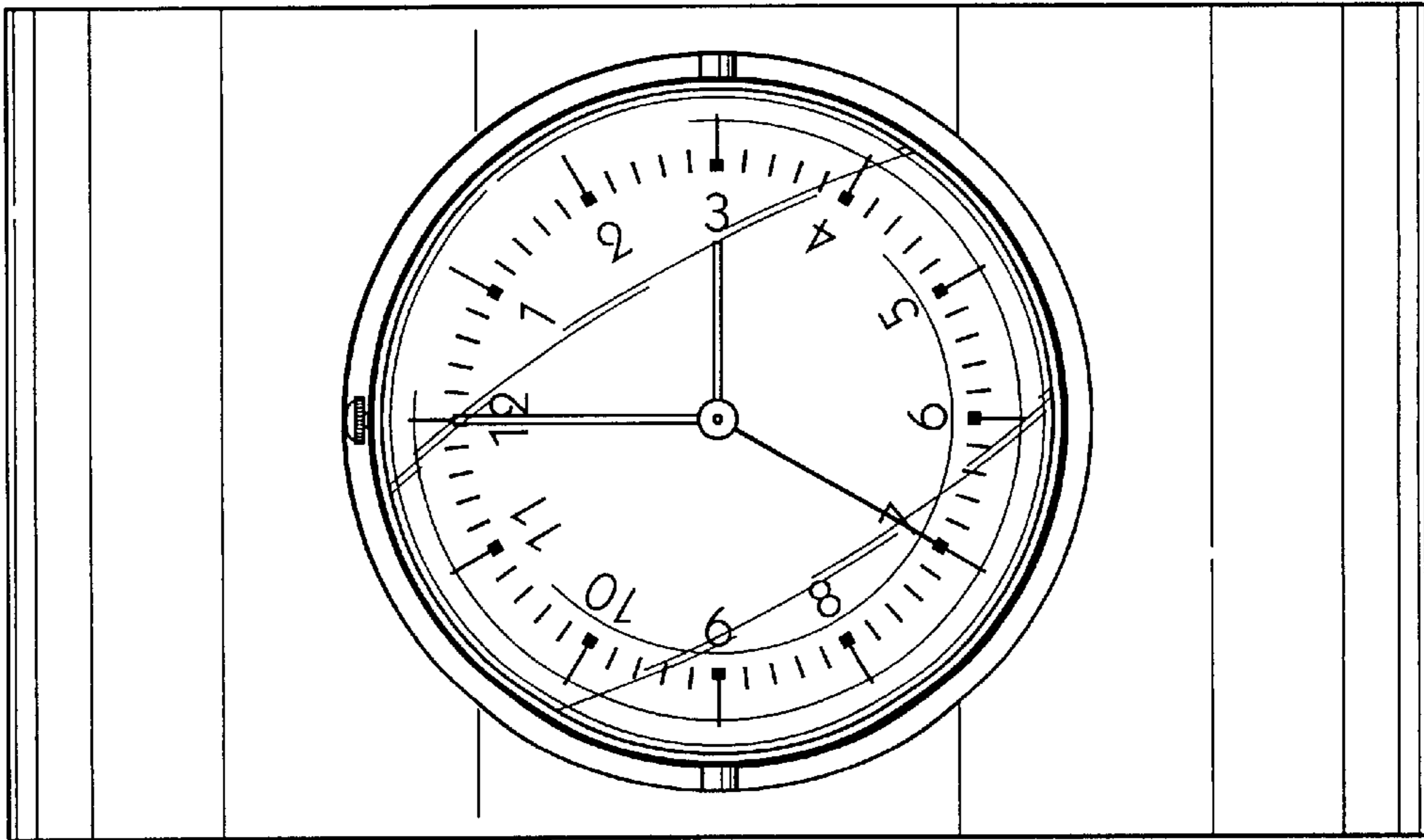


FIG. 5

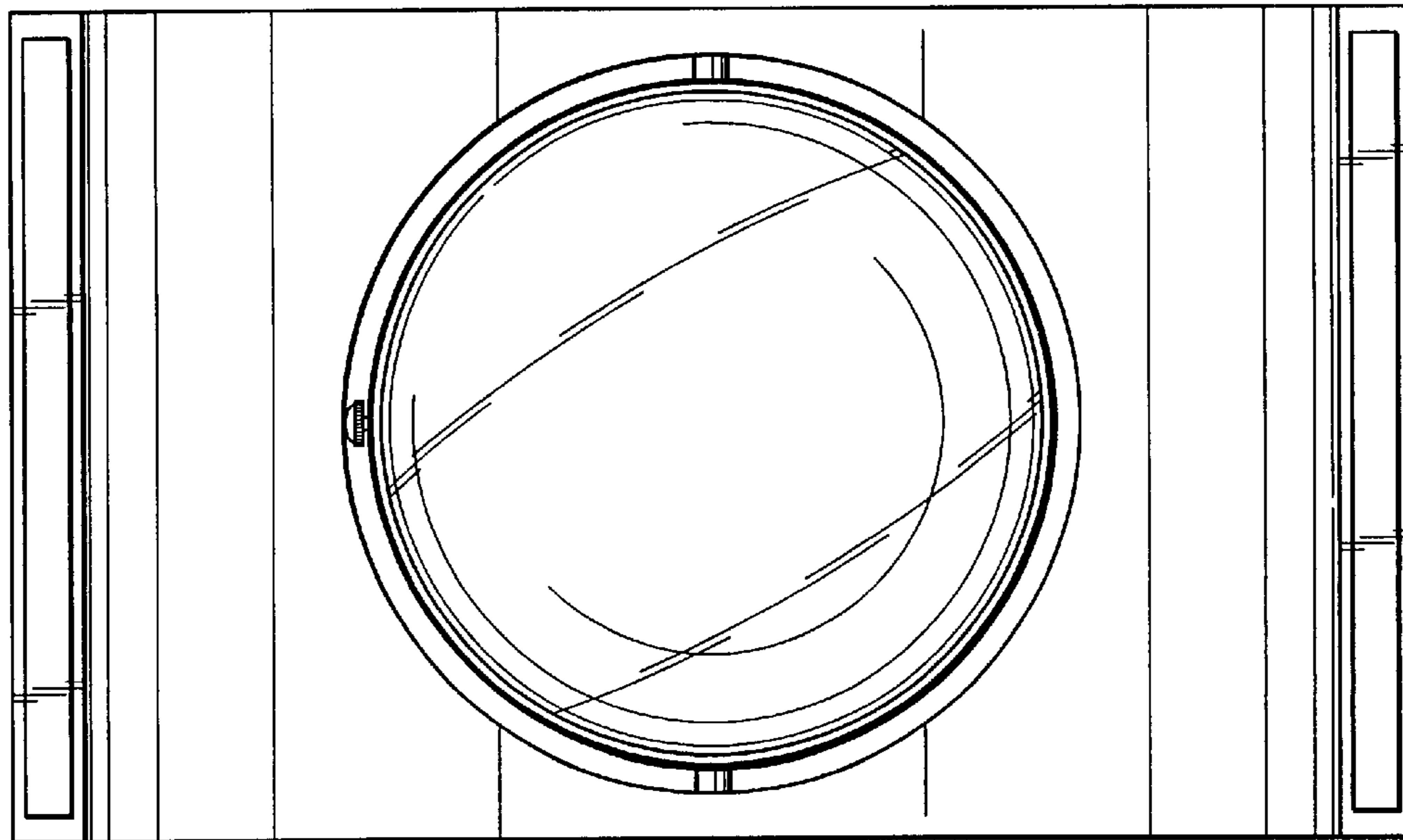


FIG. 6

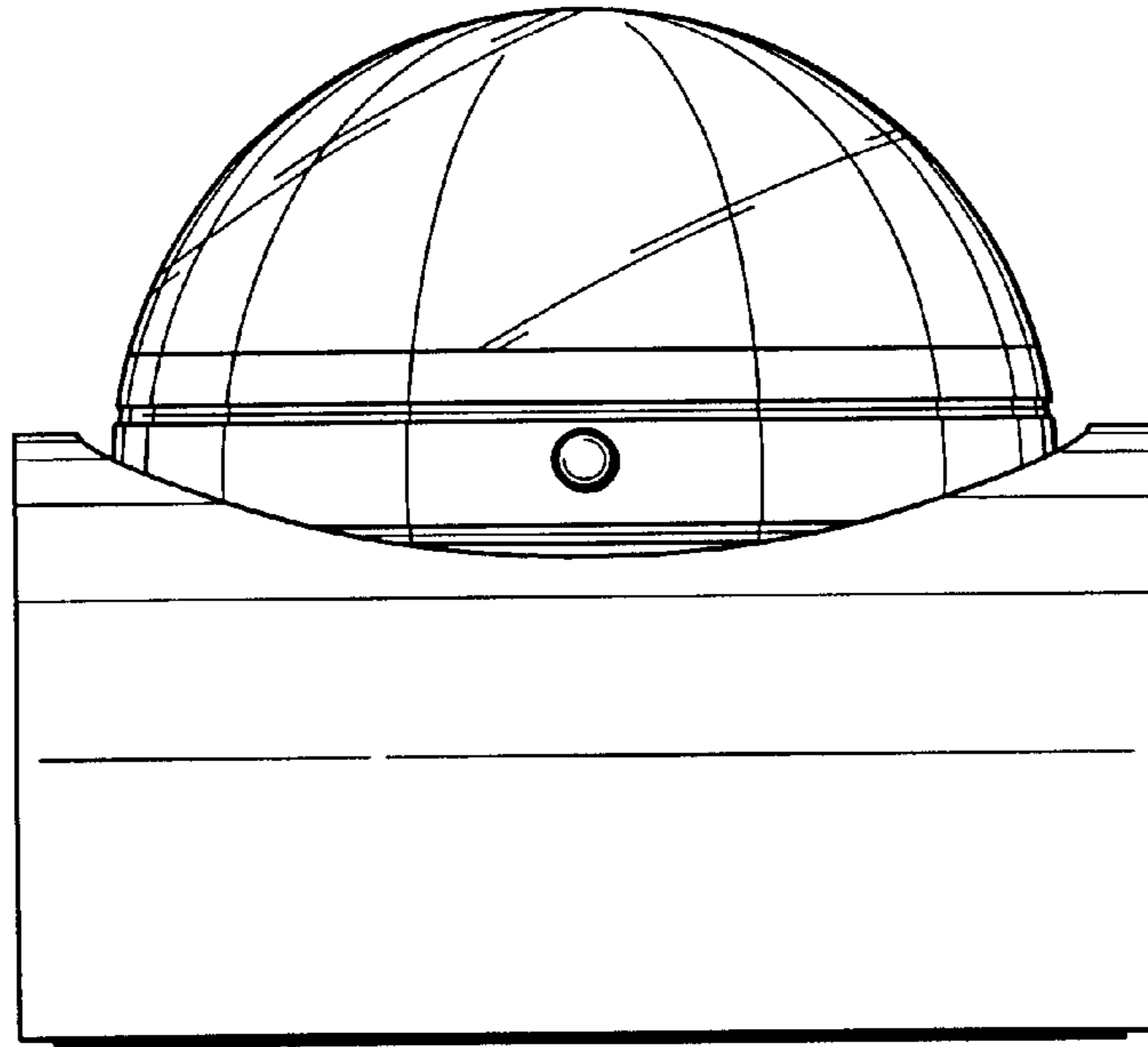


FIG. 7

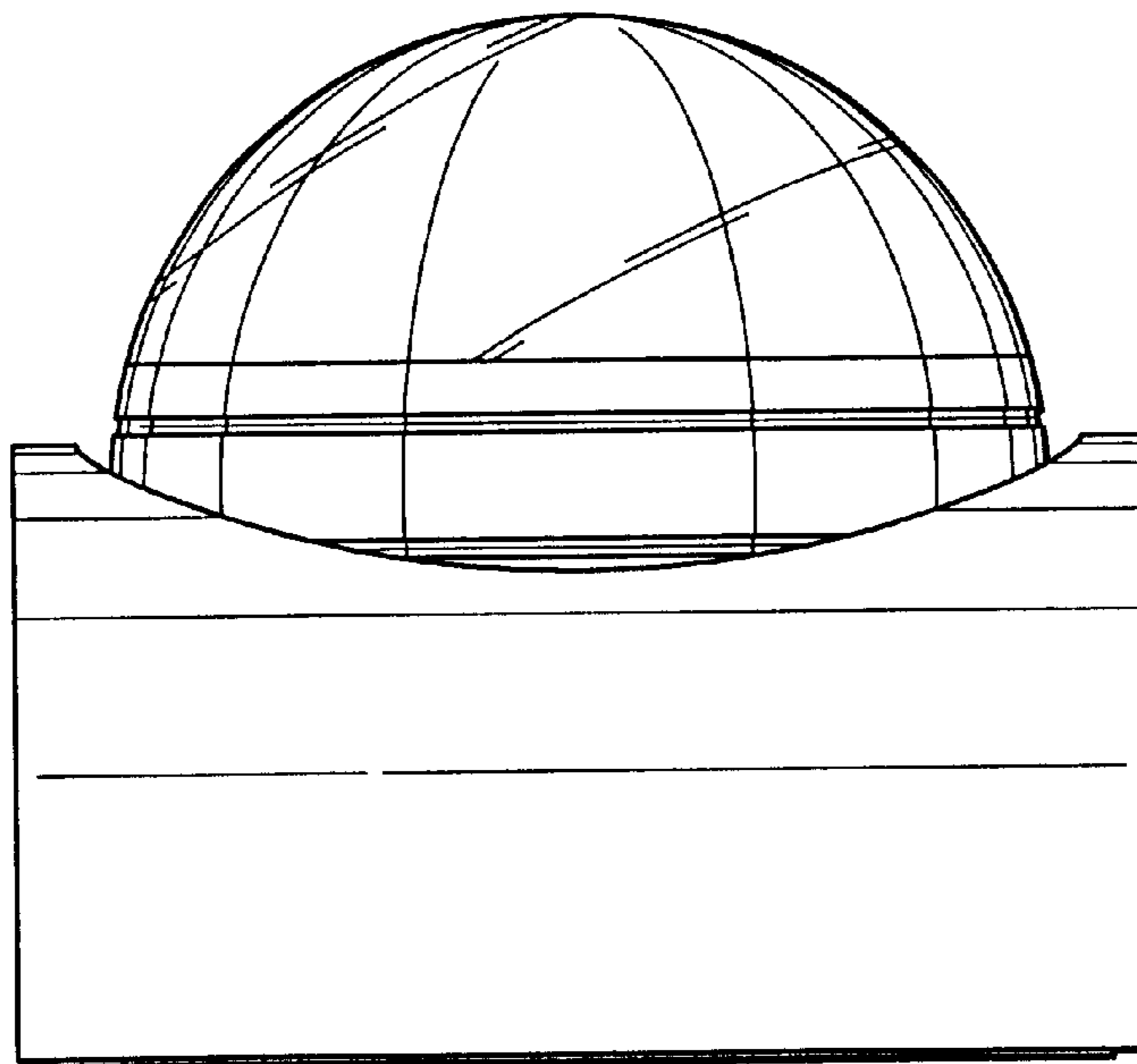


FIG. 8