



US00D473143S

(12) **United States Design Patent**
McClure et al.

(10) **Patent No.: US D473,143 S**

(45) **Date of Patent: ** *Apr. 15, 2003**

- (54) **BOTTLE**
- (75) Inventors: **Karen McClure**, Plymouth, MN (US);
Arne H. Brauner, Minnetonka, MN (US)
- (73) Assignee: **General Mills, Inc.**, Minneapolis, MN (US)
- (*) Notice: This patent is subject to a terminal disclaimer.
- (**) Term: **14 Years**
- (21) Appl. No.: **29/138,684**
- (22) Filed: **Mar. 16, 2001**
- (51) **LOC (7) Cl. 09-01**
- (52) **U.S. Cl. D9/539; D9/537**
- (58) **Field of Search D9/500, 502, 503, 504, 505, 506, 507, 508, 509, 510, 511, 512, 513, 514, 515, 516, 517, 518, 519, 520, 521, 522, 523, 524, 525, 526, 527, 528, 529, 530, 531, 532, 533, 534, 535, 536, 537, 538, 539, 540, 541, 542, 543, 544, 545, 546, 547, 548, 549, 550, 551, 552, 553, 554, 555, 556, 557, 558, 559, 560, 561, 562, 563, 564, 565, 566, 567, 568, 569, 570, 571, 572, 573, 574, 575, 576, 577, 578, 579, 580, 581, 582, 583, 584, 585, 586, 587, 588, 589, 590, 591, 592, 593, 594, 595, 596, 597, 598, 599, 600, 601, 602, 603, 604, 605, 606, 607, 608, 609, 610, 611, 612, 613, 614, 615, 616, 617, 618, 619, 620, 621, 622, 623, 624, 625, 626, 627, 628, 629, 630, 631, 632, 633, 634, 635, 636, 637, 638, 639, 640, 641, 642, 643, 644, 645, 646, 647, 648, 649, 650, 651, 652, 653, 654, 655, 656, 657, 658, 659, 660, 661, 662, 663, 664, 665, 666, 667, 668, 669, 670, 671, 672, 673, 674, 675, 676, 677, 678, 679, 680, 681, 682, 683, 684, 685, 686, 687, 688, 689, 690, 691, 692, 693, 694, 695, 696, 697, 698, 699, 700, 701, 702, 703, 704, 705, 706, 707, 708, 709, 710, 711, 712, 713, 714, 715, 716, 717, 718, 719, 720, 721, 722, 723, 724, 725, 726, 727, 728, 729, 730, 731, 732, 733, 734, 735, 736, 737, 738, 739, 740, 741, 742, 743, 744, 745, 746, 747, 748, 749, 750, 751, 752, 753, 754, 755, 756, 757, 758, 759, 760, 761, 762, 763, 764, 765, 766, 767, 768, 769, 770, 771, 772, 773, 774, 775, 776, 777, 778, 779, 780, 781, 782, 783, 784, 785, 786, 787, 788, 789, 790, 791, 792, 793, 794, 795, 796, 797, 798, 799, 800, 801, 802, 803, 804, 805, 806, 807, 808, 809, 810, 811, 812, 813, 814, 815, 816, 817, 818, 819, 820, 821, 822, 823, 824, 825, 826, 827, 828, 829, 830, 831, 832, 833, 834, 835, 836, 837, 838, 839, 840, 841, 842, 843, 844, 845, 846, 847, 848, 849, 850, 851, 852, 853, 854, 855, 856, 857, 858, 859, 860, 861, 862, 863, 864, 865, 866, 867, 868, 869, 870, 871, 872, 873, 874, 875, 876, 877, 878, 879, 880, 881, 882, 883, 884, 885, 886, 887, 888, 889, 890**

- 3,823,032 A 7/1974 Ukai
- D236,429 S 8/1975 Strand
- D247,847 S 5/1978 Kretz
- D250,170 S 11/1978 Strand
- D273,092 S 3/1984 Kretz
- D347,390 S 5/1994 Kovacic et al.
- D353,762 S 12/1994 Klitsner et al.
- D353,771 S 12/1994 Klitsner
- D362,188 S * 9/1995 Van Dyk D9/502
- D378,795 S * 4/1997 King D7/608
- D380,158 S 6/1997 Olivares et al.
- D381,271 S 7/1997 Paoloski
- D382,485 S * 8/1997 Krishnakumar et al. D9/543
- D383,679 S 9/1997 Wilson et al.
- D386,085 S 11/1997 Green
- D386,674 S 11/1997 Corcoran et al.
- D391,853 S 3/1998 Green et al.
- 5,735,420 A 4/1998 Nakamaki et al.
- D399,425 S 10/1998 Ramsey
- D403,963 S 1/1999 Ramsey
- D404,254 S 1/1999 Asberg
- D404,310 S * 1/1999 Martin D9/537
- D405,698 S 2/1999 Lykken et al.
- D407,649 S * 4/1999 McCallister et al. D9/520
- D409,091 S 5/1999 Beaver et al.
- D412,118 S 7/1999 Rodea
- D412,281 S 7/1999 Lindsay et al.

(56) **References Cited**

U.S. PATENT DOCUMENTS

- D16,802 S 7/1886 Woolf
- D23,880 S 6/1894 Juhring
- D47,909 S 5/1915 Bradford
- D48,160 S 11/1915 Samuelson
- D54,241 S 12/1919 Christian
- D67,025 S 4/1925 Ginter
- D86,222 S 2/1932 De Fauzon
- D88,099 S * 10/1932 Lehman
- D90,433 S 8/1933 Borokoff
- D92,098 S 4/1934 Little
- D107,742 S * 1/1938 Briner
- D112,190 S 11/1938 Bireley
- D148,078 S 12/1947 LeLong
- D216,627 S 2/1970 Lawton
- D216,629 S 2/1970 Lawton et al.
- D217,850 S 6/1970 Lawton et al.
- D222,529 S 11/1971 Terner
- D225,725 S 1/1973 Petrengill

(List continued on next page.)

OTHER PUBLICATIONS

Thomson & Thomson, Feb. 6, 2001, *Trademark Research Report*.

Primary Examiner—Ted Shooman

Assistant Examiner—Daniel Bui

(74) *Attorney, Agent, or Firm*—J. Michael Anglin; Annette M. Frawley; Douglas J. Taylor

(57) **CLAIM**

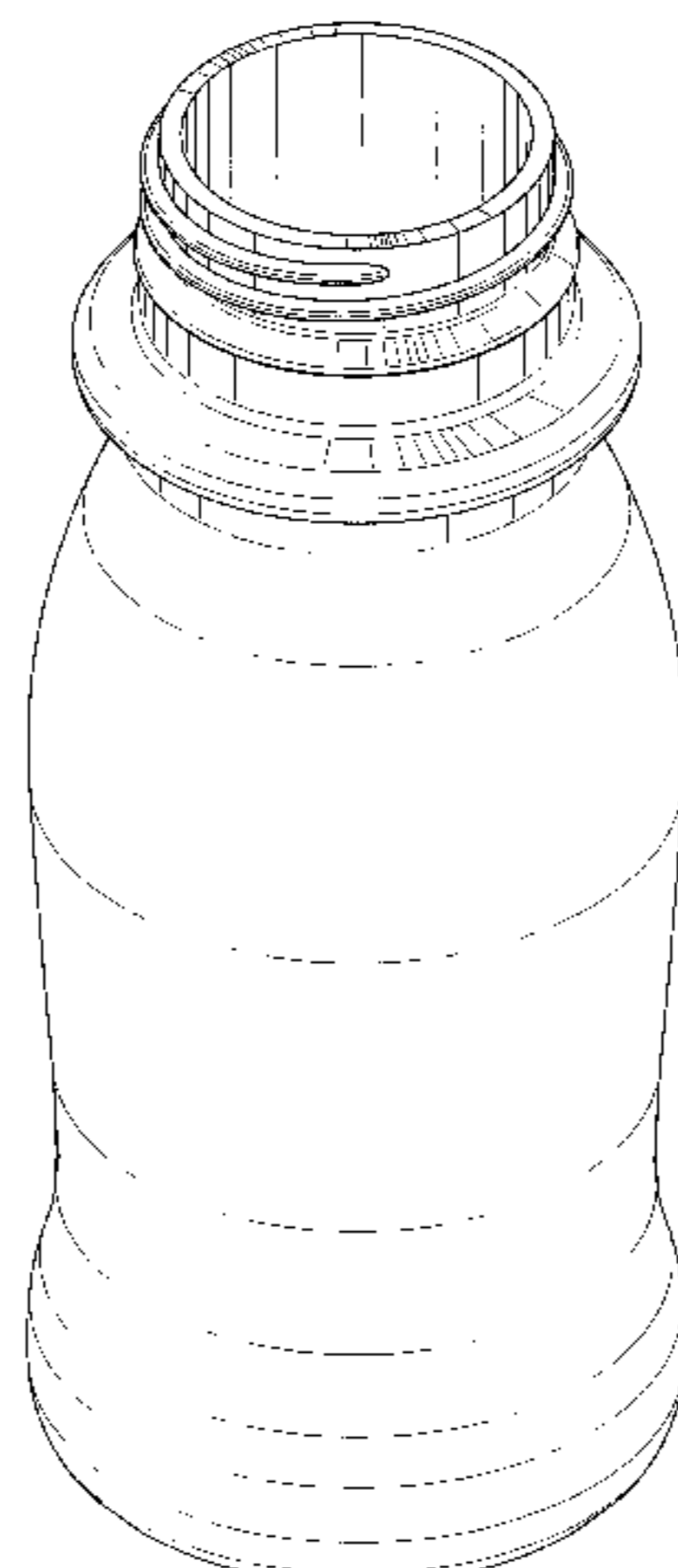
The ornamental design for the bottle, as shown.

DESCRIPTION

FIG. 1 is a front perspective view of a bottle in accordance with the present invention.

FIG. 2 is a front elevational view of the bottle of FIG. 1; and, FIG. 3 is a top view of the bottle of FIG. 1.

1 Claim, 3 Drawing Sheets



US D473,143 S

Page 2

U.S. PATENT DOCUMENTS

D413,068 S	*	8/1999	Thouin et al.	D9/551	D431,468 S	10/2000	Potts	
D415,429 S		10/1999	Rausch		D432,022 S	10/2000	Meeker et al.	
D418,748 S		1/2000	Kuzma et al.		D432,423 S	*	10/2000	Rashid D9/502
D419,886 S		2/2000	Gans		D432,424 S	10/2000	Andrew	
D420,594 S		2/2000	Weinstein et al.		D433,337 S	11/2000	Cautereels	
D421,910 S		3/2000	Warner et al.		D433,637 S	11/2000	Hailey et al.	
6,044,997 A		4/2000	Ogg		D434,670 S	12/2000	Bernard	
D425,423 S		5/2000	Mengeu et al.		D435,795 S	1/2001	Bretz et al.	
D426,953 S		6/2000	Vanden Dries et al.		D436,501 S	1/2001	Huang	
D428,339 S		7/2000	Johnston et al.		D437,230 S	2/2001	Andrew	
D428,813 S		8/2000	Haley		6,186,348 B1	2/2001	Rouët	
D430,803 S		9/2000	Reis et al.		D451,033 S	*	11/2001	Iizuka et al. D9/569

* cited by examiner

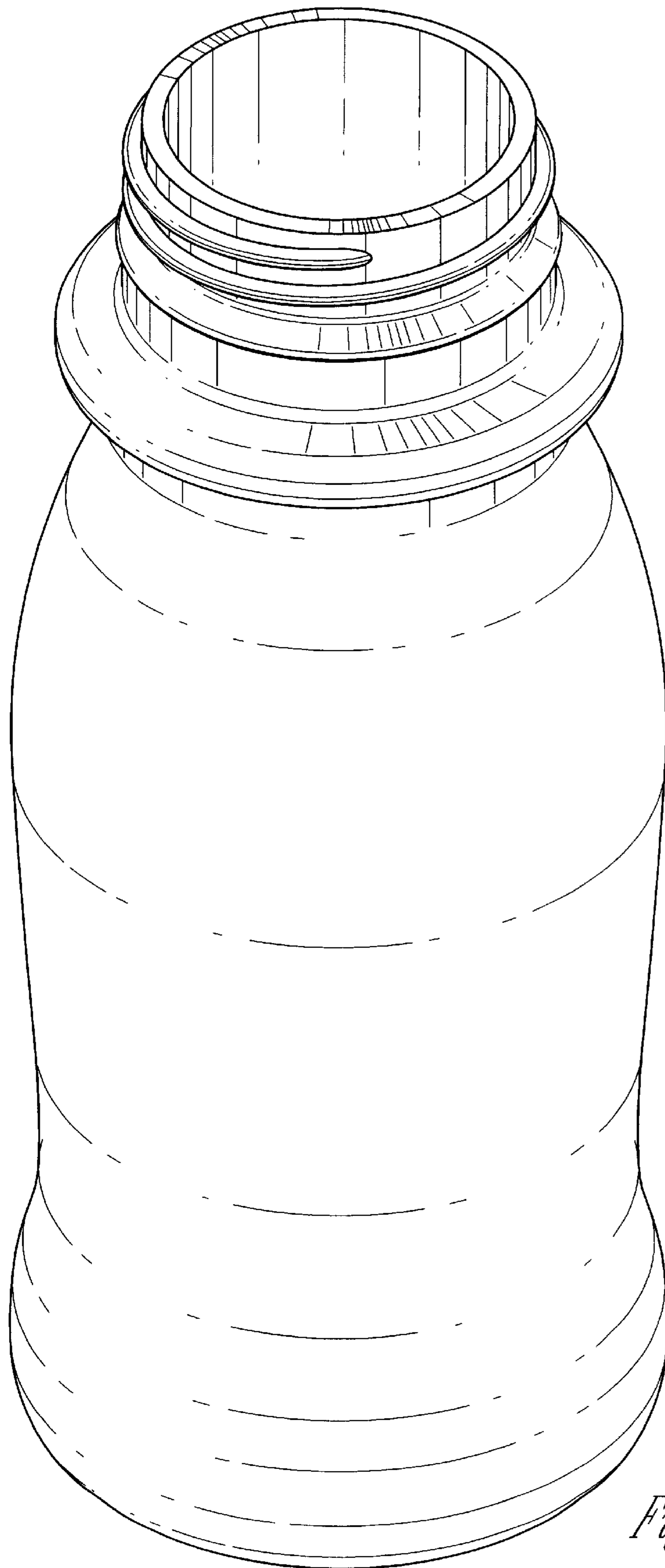


Fig. 1

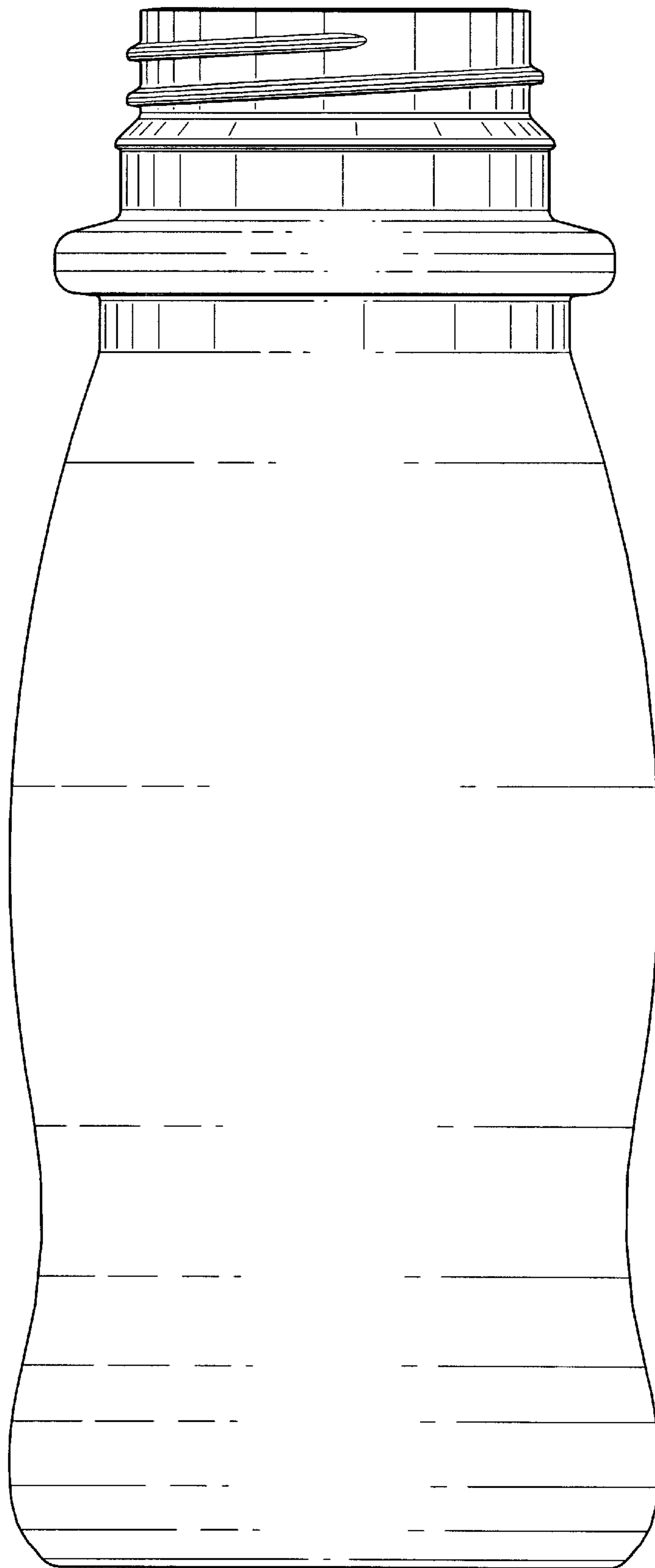


Fig. 2

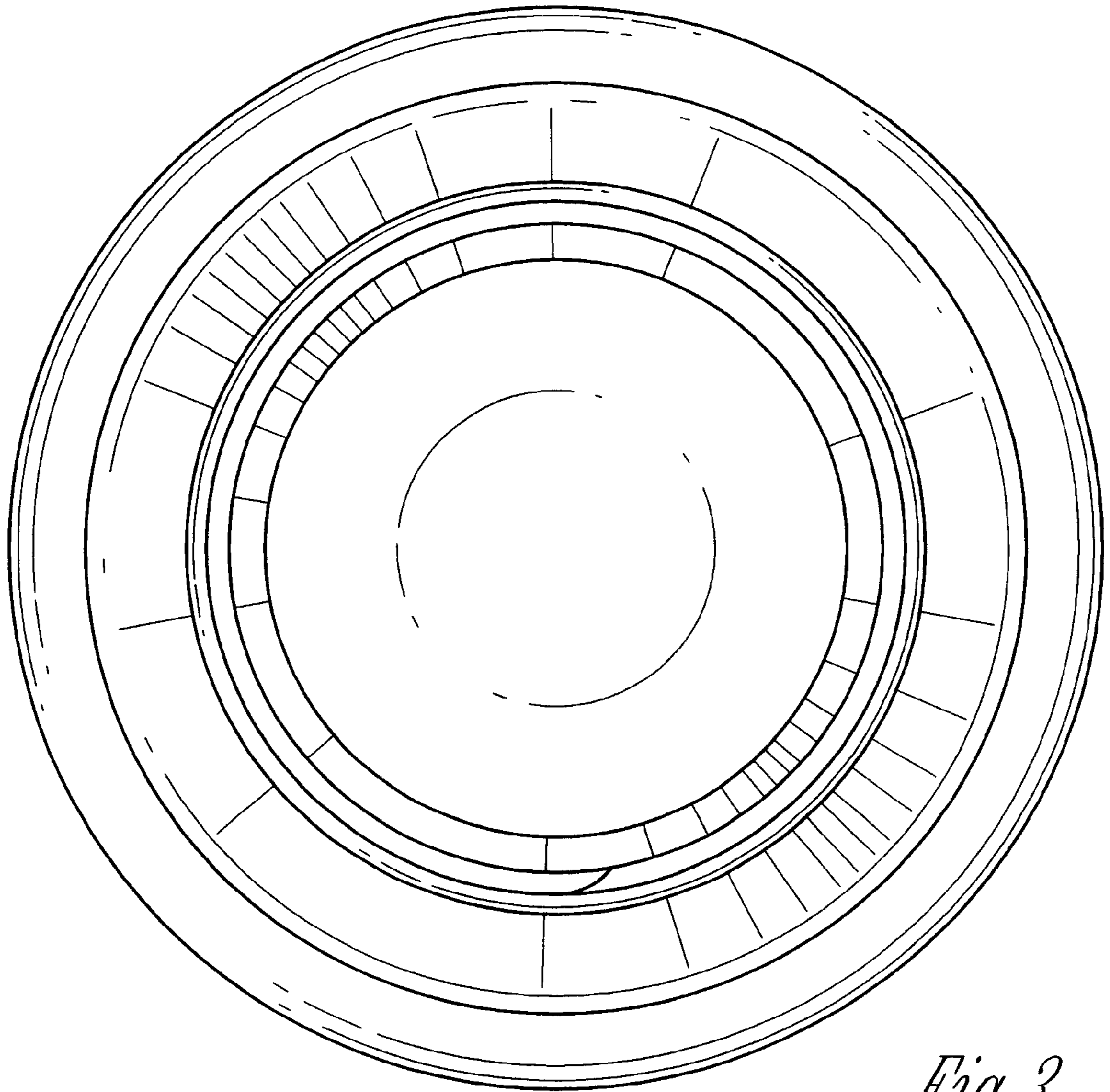


Fig. 3