



US00D473142S

(12) **United States Design Patent**  
**Beaver**

(10) **Patent No.:** **US D473,142 S**

(45) **Date of Patent:** **\*\* Apr. 15, 2003**

(54) **CONTAINER**

(75) **Inventor:** **Ted L. Beaver**, Roselle, IL (US)

(73) **Assignee:** **Consolidated Container Company, LLC**, Atlanta, GA (US)

(\*\*) **Term:** **14 Years**

(21) **Appl. No.:** **29/141,201**

(22) **Filed:** **May 1, 2001**

(51) **LOC (7) Cl.** ..... **09-03**

(52) **U.S. Cl.** ..... **D9/530**

(58) **Field of Search** ..... D9/530, 537, 540,  
D9/543, 549, 556-557, 569-570, 575, 499;  
206/527; 215/200, 231, 243, 316, 329,  
379, 381, 382, 383, 384, 385, 400; 220/9.1,  
476-477, 200, 256, 260, 288-289, 377,  
602, 662

(56) **References Cited**

**U.S. PATENT DOCUMENTS**

|           |   |   |         |               |       |         |
|-----------|---|---|---------|---------------|-------|---------|
| 4,993,565 | A | * | 2/1991  | Ota et al.    | ..... | 215/384 |
| D423,936  | S | * | 5/2000  | Smith et al.  | ..... | D9/520  |
| D431,470  | S | * | 10/2000 | Henderson     | ..... | D9/520  |
| D435,455  | S | * | 12/2000 | Gans          | ..... | D9/541  |
| D442,866  | S | * | 5/2001  | Mooney et al. | ..... | D9/520  |
| D443,521  | S | * | 6/2001  | Bansal et al. | ..... | D9/543  |

**OTHER PUBLICATIONS**

U.S. patent application Ser. No. 29/146,927, filed May 1, 2001; "Container", specification and drawings. (9798495-0035).

\* cited by examiner

*Primary Examiner*—Ted Shooman

*Assistant Examiner*—Daniel Bui

(74) *Attorney, Agent, or Firm*—Sonnenschein, Nath & Rosenthal

(57) **CLAIM**

The ornamental design for a container, as shown and described.

**DESCRIPTION**

FIG. 1 is a perspective view of a container showing the new design.

FIG. 2 is a left side elevational view of the container shown in FIG. 1, the right side elevational view being a mirror image of the left side elevational view.

FIG. 3 is a top plan view of the container shown in FIG. 1.

FIG. 4 is a front elevational view of the container shown in FIG. 1; and,

FIG. 5 is a rear elevational view of the container shown in FIG. 1.

The broken line showing of the environment is for illustrative purposes only and forms no part of the claimed design.

**1 Claim, 2 Drawing Sheets**

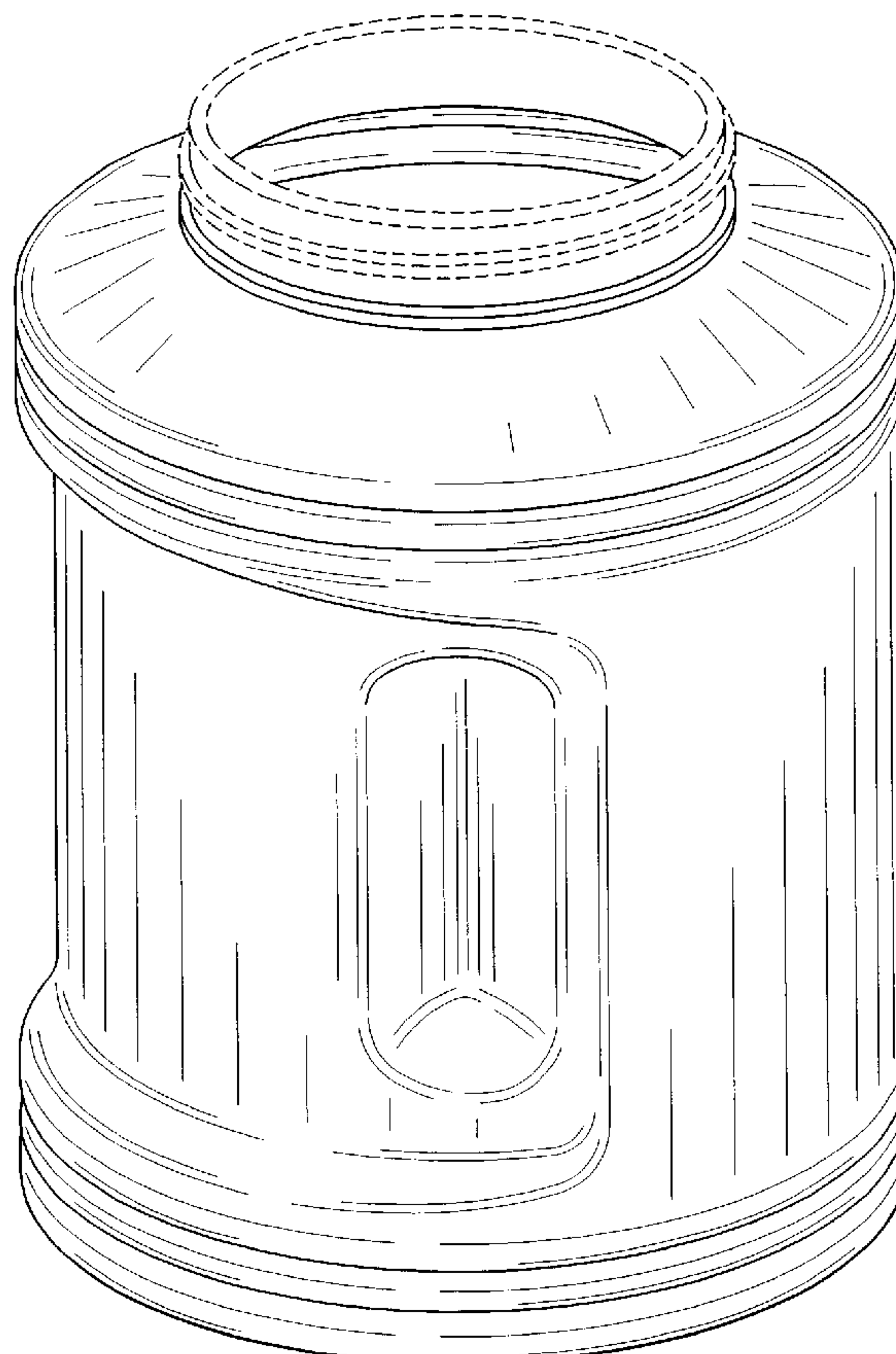


FIG.1

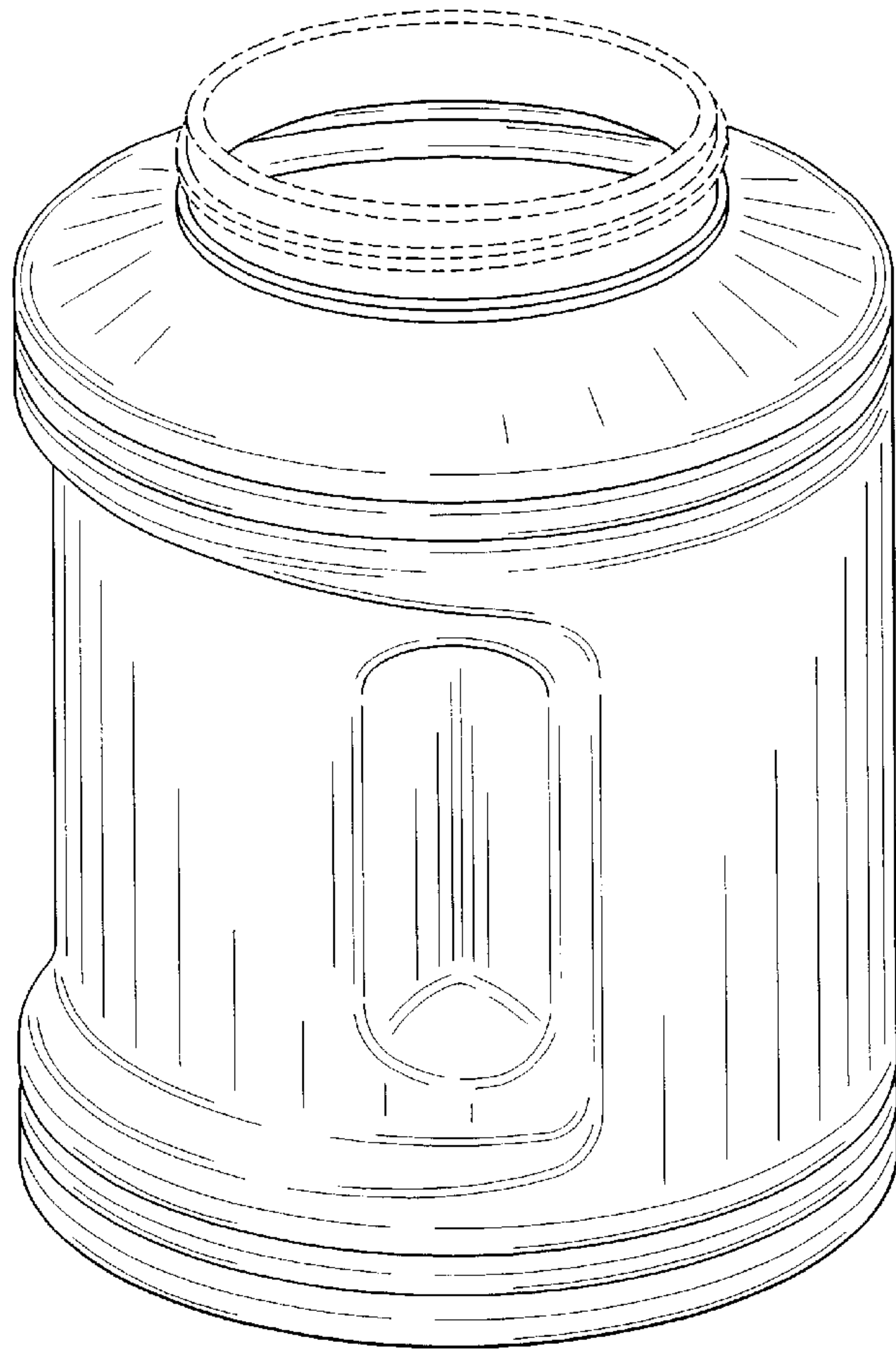


FIG.2

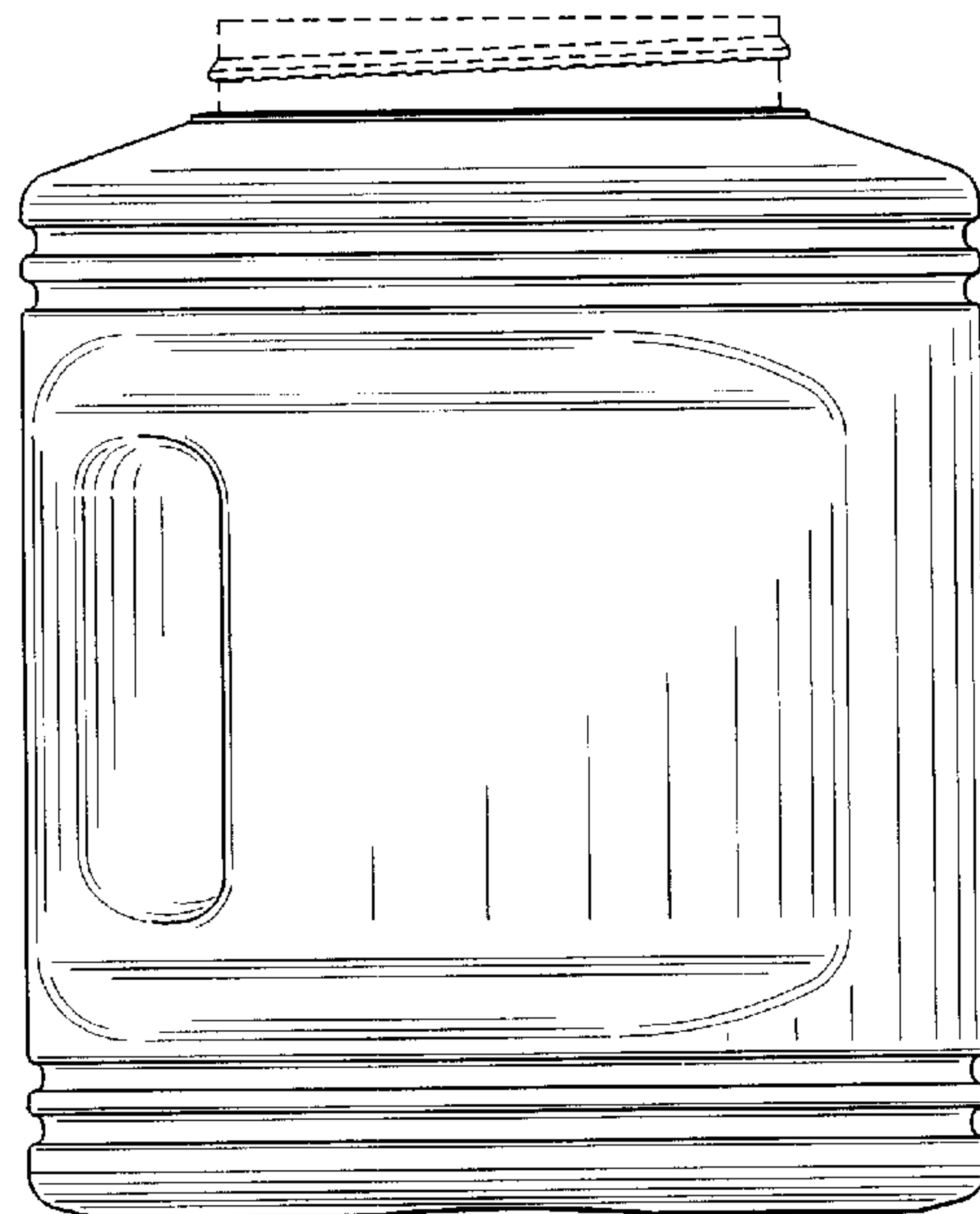


FIG. 3

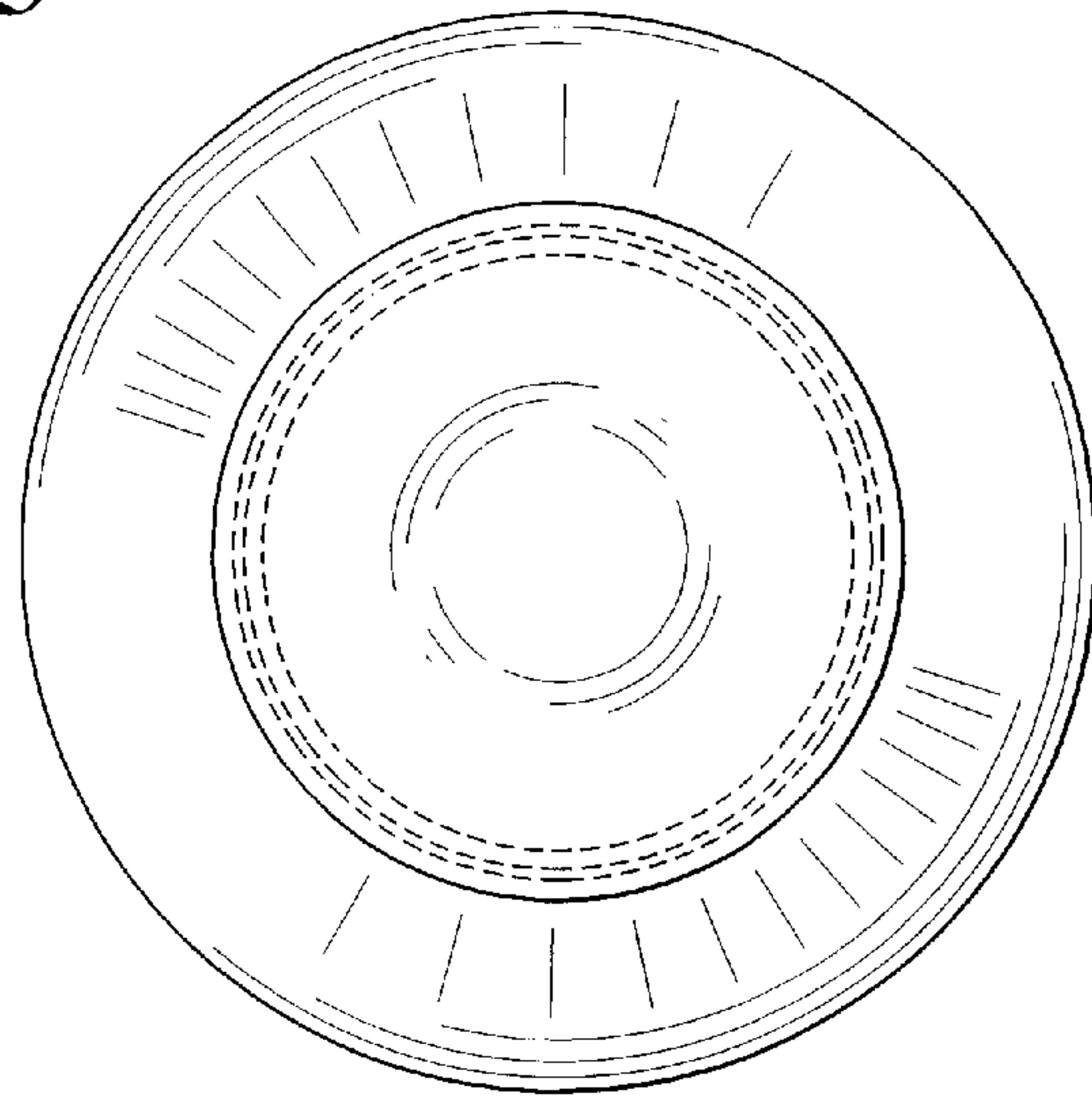


FIG. 4

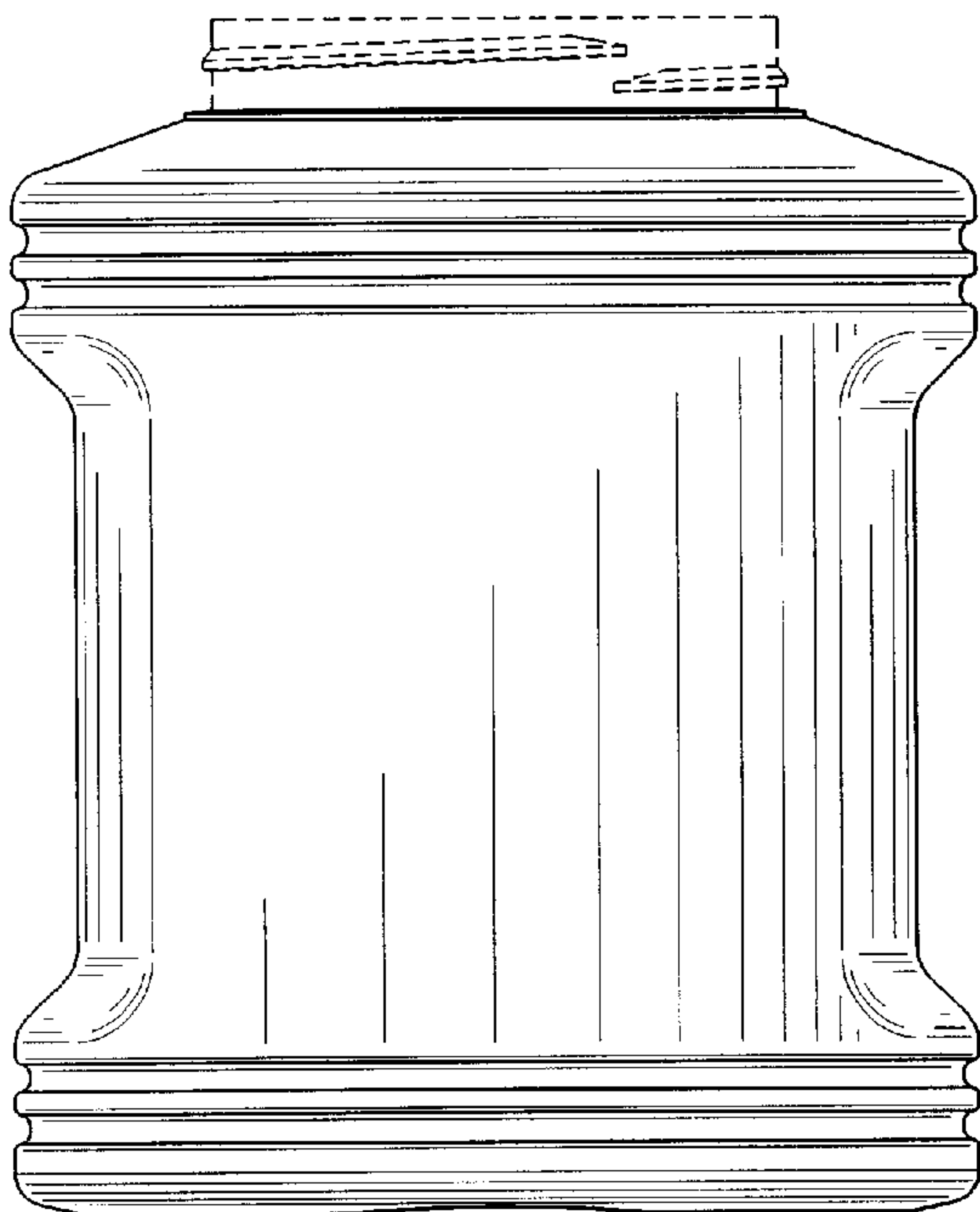
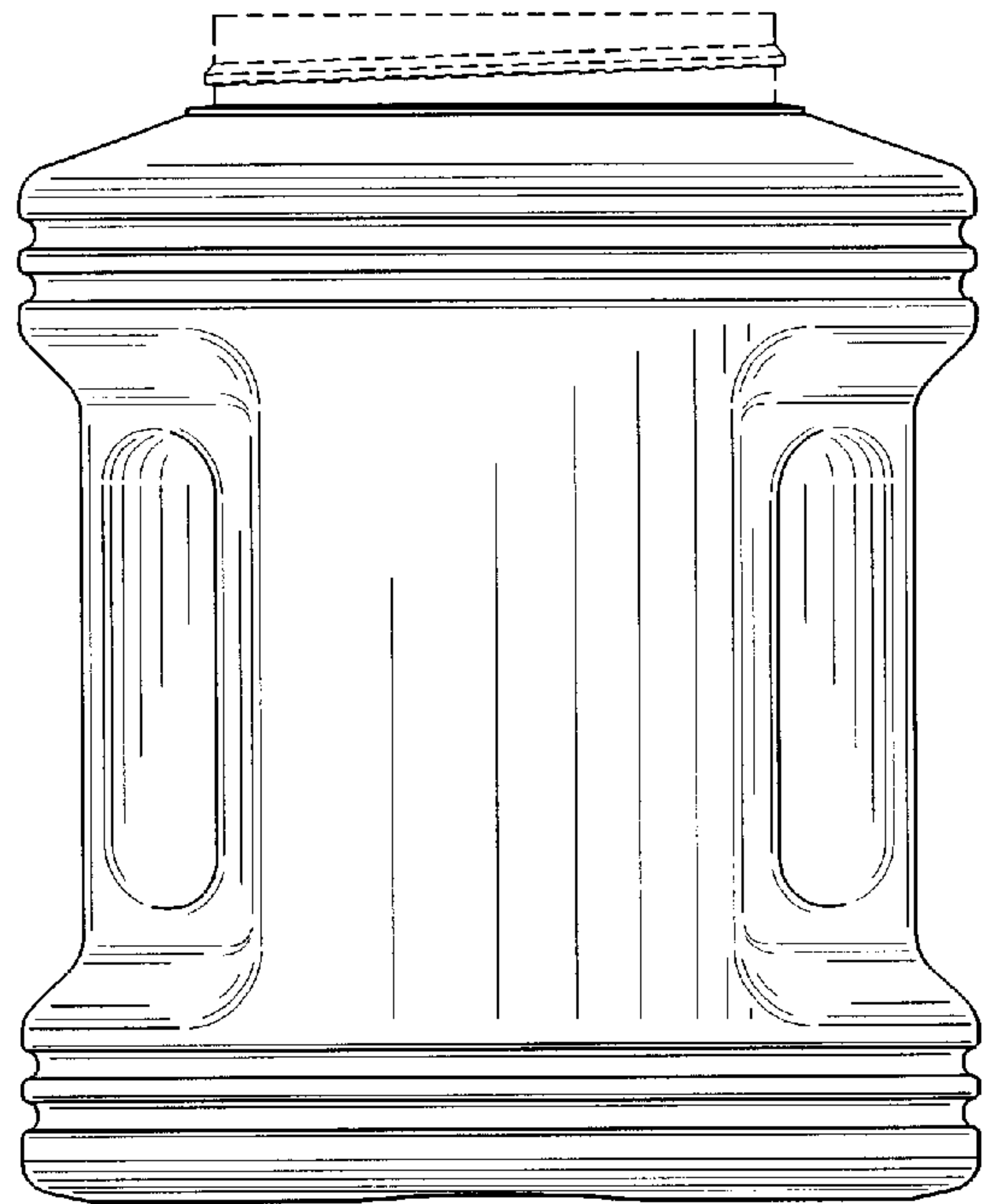


FIG. 5



UNITED STATES PATENT AND TRADEMARK OFFICE  
**CERTIFICATE OF CORRECTION**

PATENT NO. : Des. 473,142 S  
DATED : April 15, 2003  
INVENTOR(S) : Ted L. Beaver

Page 1 of 3

It is certified that error appears in the above-identified patent and that said Letters Patent is hereby corrected as shown below:

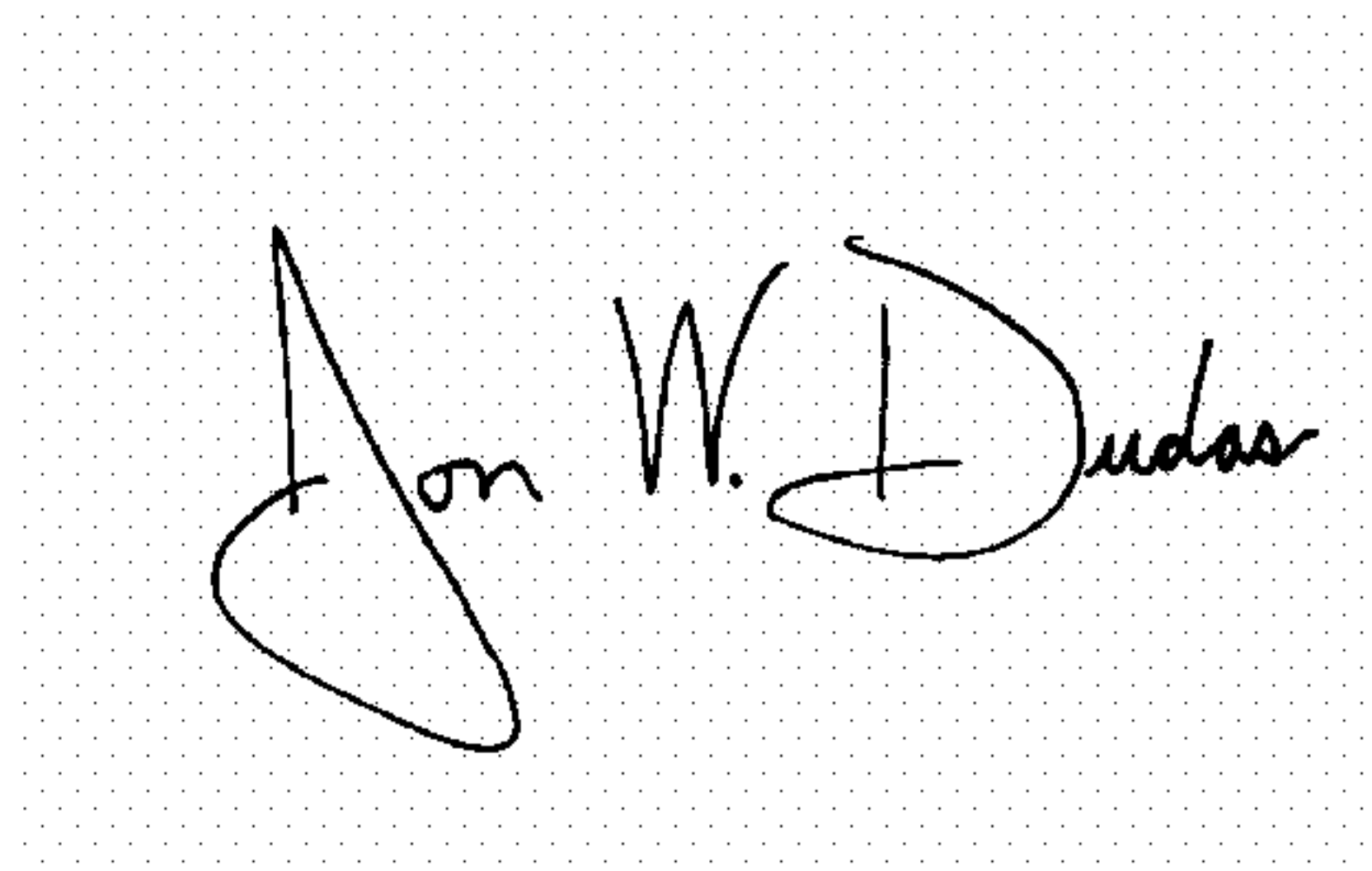
Drawings,

Sheet 1 of 2, replace Figs 1-2 with attached Figs. 1-2

Sheet 2 of 2, replace Figs 3-4-5 with attached Figs. 3-4-5

Signed and Sealed this

Fifth Day of April, 2005

A handwritten signature in black ink on a light gray dotted background. The signature reads "Jon W. Dudas" in a cursive style.

JON W. DUDAS

*Director of the United States Patent and Trademark Office*



FIG.1

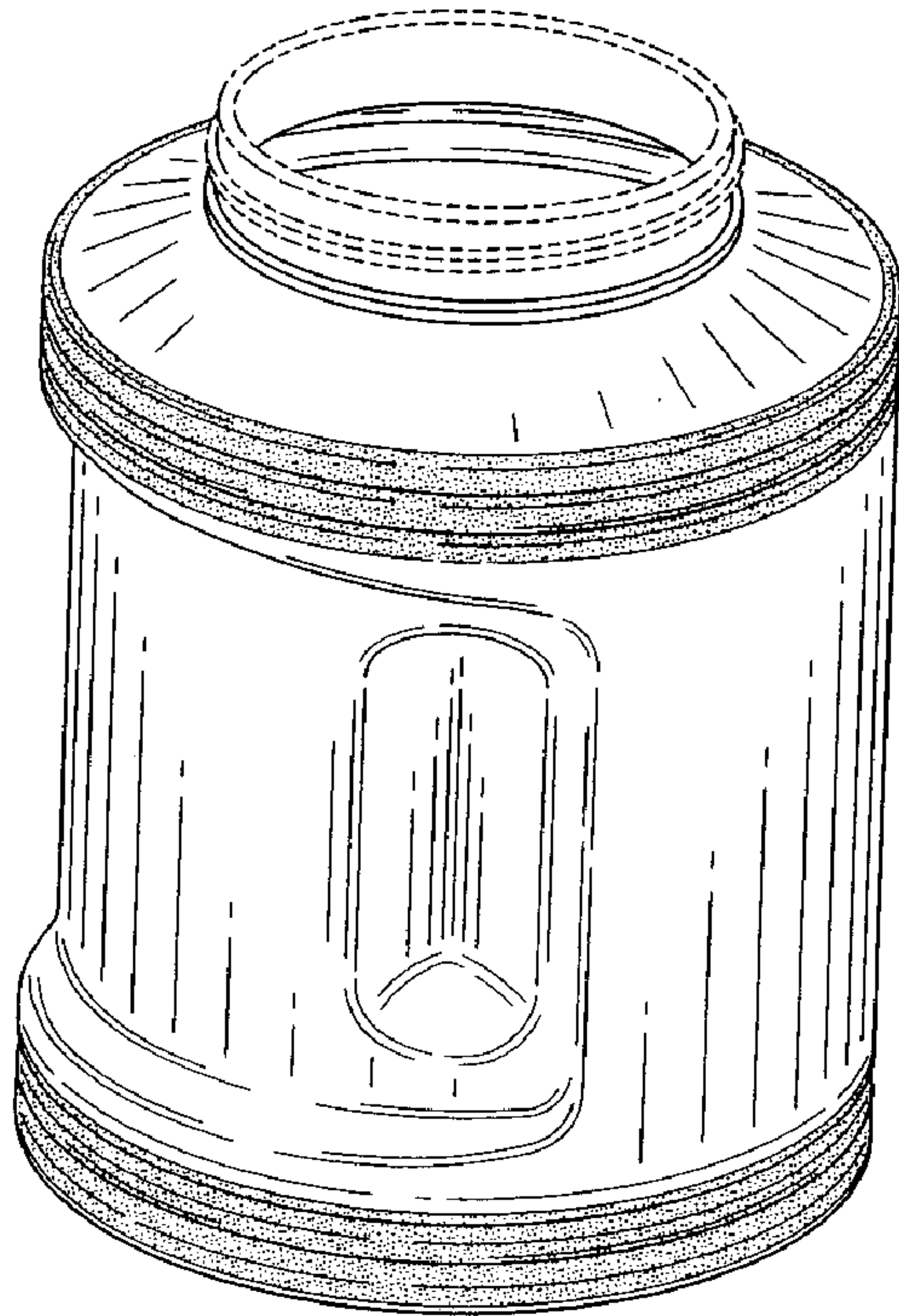


FIG.2

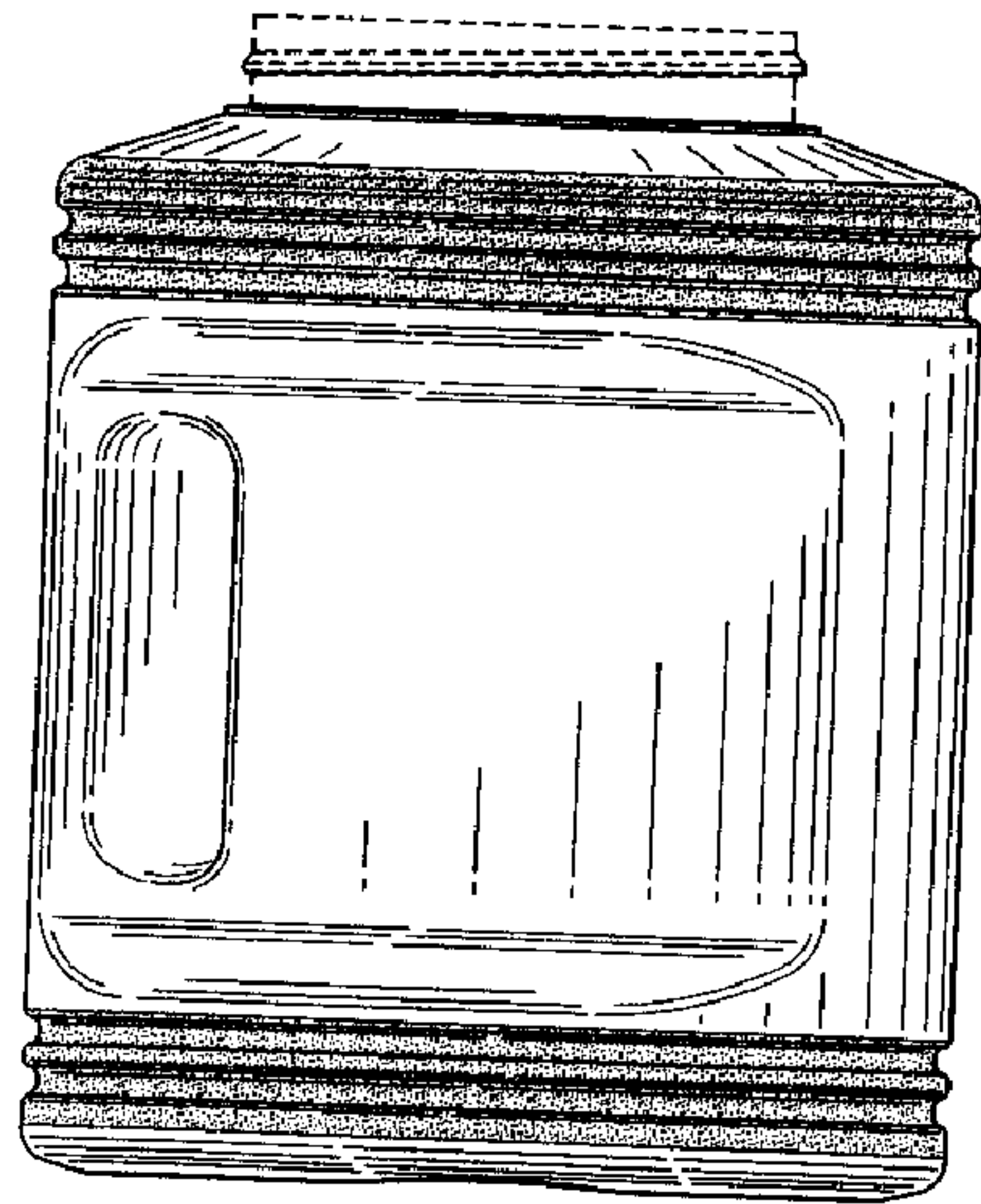


FIG. 3

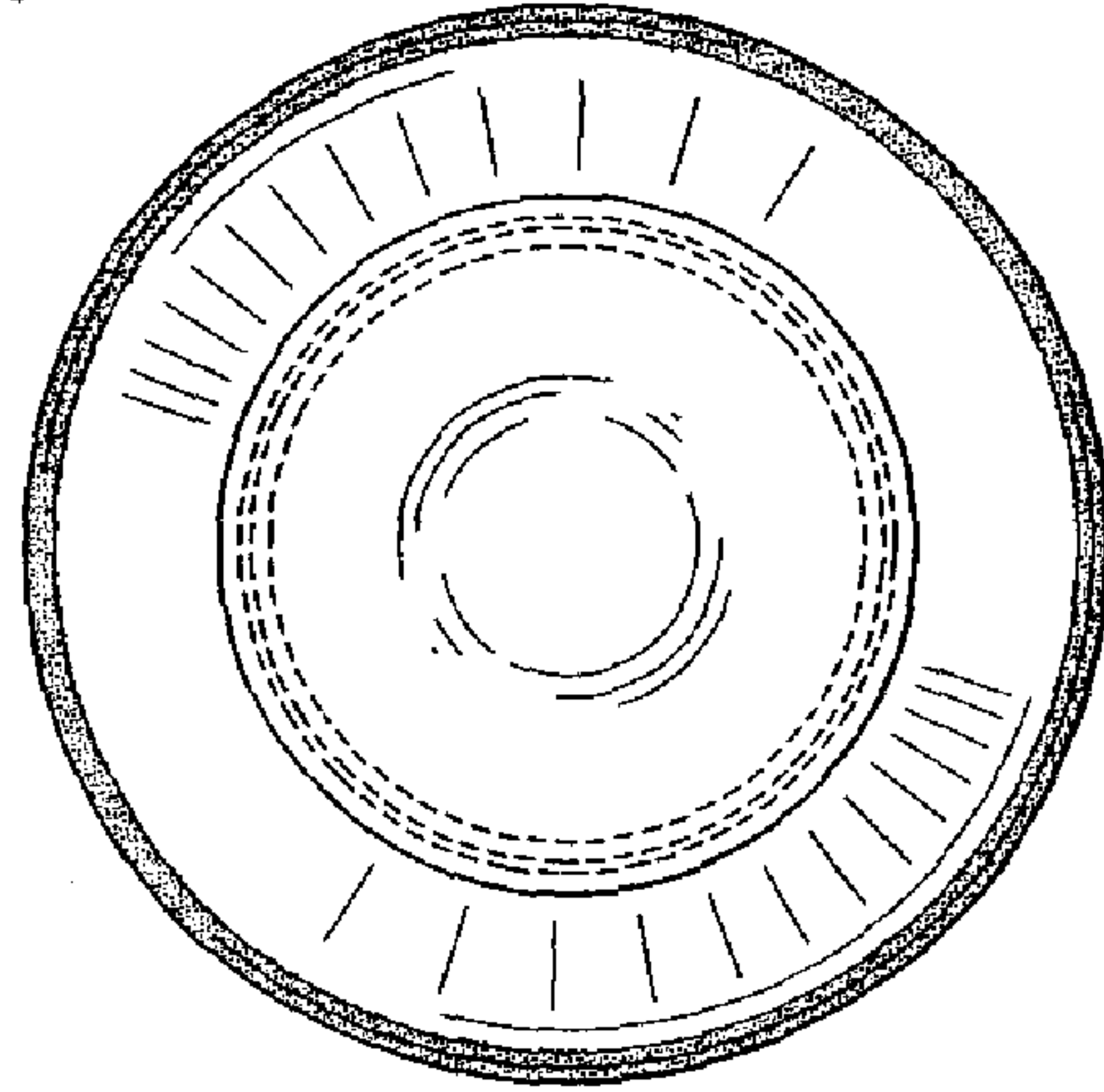


FIG. 4

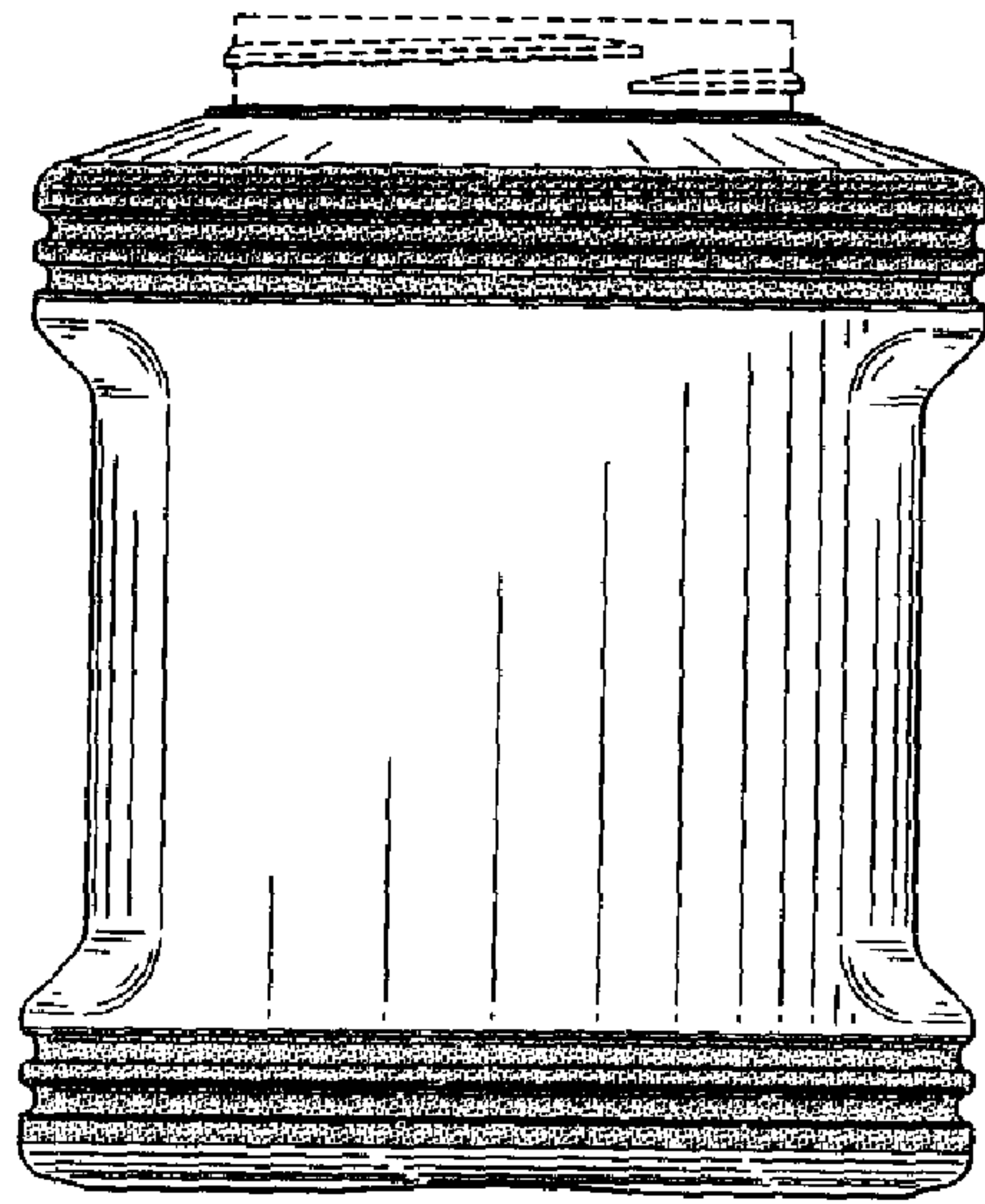


FIG. 5

