



US00D473140S

(12) **United States Design Patent**
Gilliam et al.

(10) **Patent No.:** **US D473,140 S**

(45) **Date of Patent:** **** Apr. 15, 2003**

(54) **CONTAINER**

(75) Inventors: **Cheryl Marie Gilliam**, Grayslake, IL (US); **Anne Bucher**, Palatine, IL (US); **Lori Ann Rothman**, Oak Park, IL (US); **Kadir Karul**, Racine, WI (US)

(73) Assignee: **Kraft Foods Holdings, Inc.**, Northfield, IL (US)

(**) Term: **14 Years**

(21) Appl. No.: **29/157,658**

(22) Filed: **Mar. 22, 2002**

(51) **LOC (7) Cl.** **09-03**

(52) **U.S. Cl.** **D9/428; D9/429; D9/416; D9/423**

(58) **Field of Search** D9/428, 429, 416, D9/417, 424, 415, 414, 425; 229/4.5, 5.5-5.8, 406, 404, 902, 938, 123.3, 116.1, 123.2, 210, 235, 242, 238, 239; 220/260, 269, 270, 279, 214, 788, 832, 610, 640, 641; 206/541

(56) **References Cited**

U.S. PATENT DOCUMENTS

685,900 A	*	11/1901	Anderson	229/5.5
3,246,792 A	*	4/1966	Brackmann et al.	220/214
3,412,890 A		11/1968	Rich		
3,417,897 A	*	12/1968	Johnson	220/832
D219,958 S		2/1971	Clark		
3,695,481 A		10/1972	Foster et al.		
3,812,993 A	*	5/1974	Yoshioka et al.	220/269
3,831,798 A	*	8/1974	Rowe et al.	215/256
3,872,996 A		3/1975	Dogliotti		
4,143,695 A		3/1979	Hoehn		
4,428,497 A		1/1984	Julius et al.		
4,471,881 A		9/1984	Foster		
D276,400 S		11/1984	Daenen et al.		
4,724,977 A		2/1988	Cleevely et al.		
4,898,292 A		2/1990	VerWeyst et al.		
4,925,041 A		5/1990	Pehr		
D322,219 S		12/1991	Falco		
5,083,671 A		1/1992	Hayes		

5,085,339 A	*	2/1992	Roth et al.	220/269
5,092,474 A		3/1992	Leigner		
5,133,470 A		7/1992	Abrams et al.		
5,145,088 A		9/1992	Goujon		
5,180,072 A		1/1993	Oehlert		
5,211,301 A		5/1993	Groya et al.		

(List continued on next page.)

Primary Examiner—Prabhakar Deshmukh
(74) *Attorney, Agent, or Firm*—Fitch, Even, Tabin, & Flannery

(57) **CLAIM**

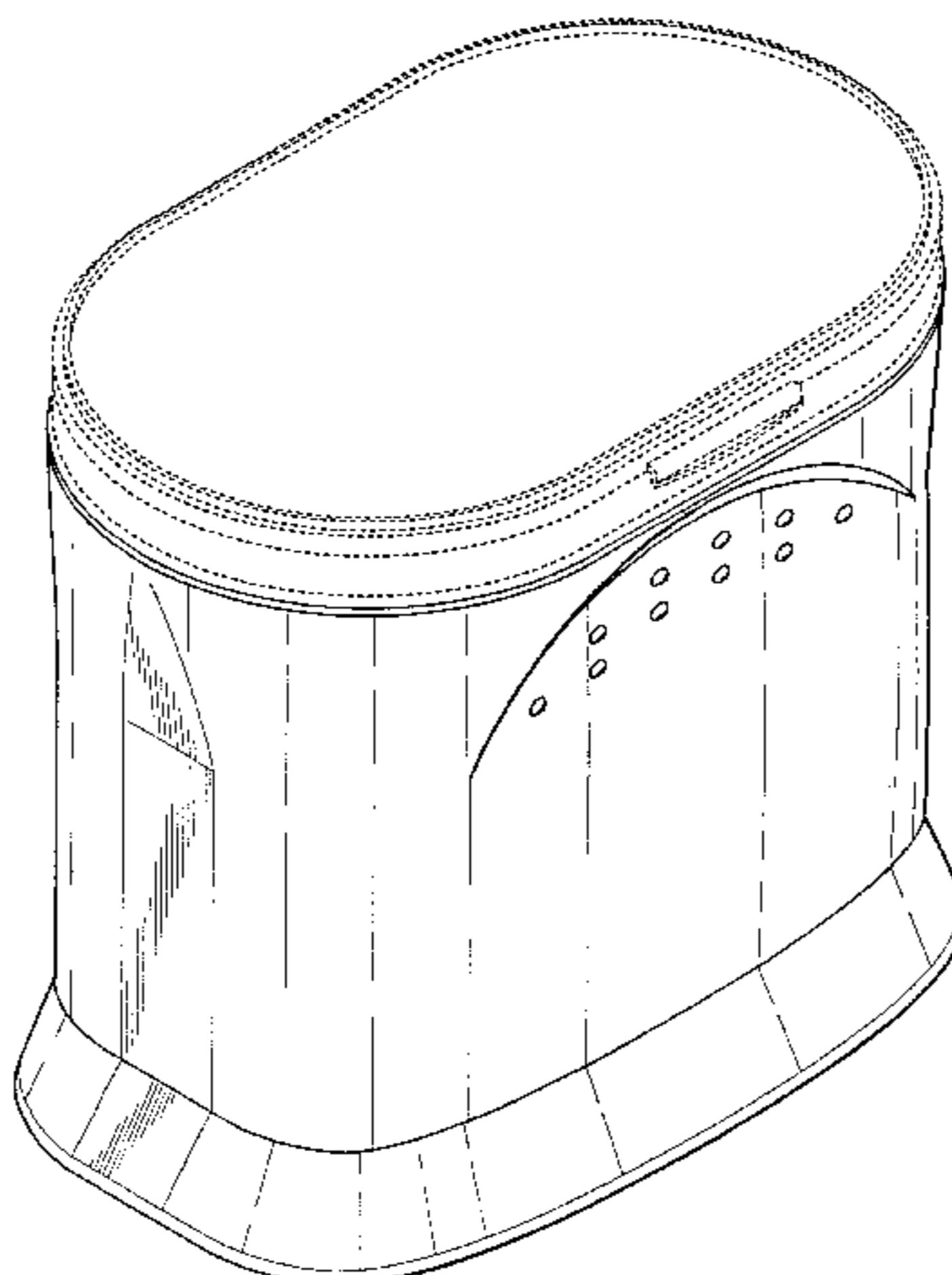
The ornamental design for a container, as shown and described.

DESCRIPTION

FIG. 1 is a perspective view showing a first embodiment of our new design, comprising a container;
 FIG. 2 is a back side elevational view of the container of FIG. 1;
 FIG. 3 is a front side elevational view of the container of FIG. 1;
 FIG. 4 is a right side elevational view of the container of FIG. 1;
 FIG. 5 is a left side elevational view of the container of FIG. 1;
 FIG. 6 is a top plan view of the container of FIG. 1;
 FIG. 7 is a bottom plan view of the container of FIG. 1;
 FIG. 8 is a perspective view showing a second embodiment of our new design, comprising a container;
 FIG. 9 is a back side elevational view of the container of FIG. 8;
 FIG. 10 is a front side elevational view of the container of FIG. 8;
 FIG. 11 is a right side elevational view of the container of FIG. 8; and,
 FIG. 12 is a left side elevational view of the container of FIG. 8.

Portions of the container are shown in broken lines in FIGS. 1-12 for illustrative purposes only and form no part of the claimed design.

1 Claim, 7 Drawing Sheets



US D473,140 S

Page 2

U.S. PATENT DOCUMENTS

5,261,544	A	11/1993	Weaver, Jr.				
D345,305	S	* 3/1994	Host	D9/428	D383,671	S	* 9/1997 Phillips
D346,720	S	5/1994	Onneweer		D395,204	S	6/1998 Wood
5,358,130	A	10/1994	Mengeu et al.		D399,654	S	* 10/1998 Mandell
D351,969	S	11/1994	Daenen et al.		D407,974	S	4/1999 Zimmer et al.
5,366,104	A	11/1994	Armstrong		5,893,489	A	4/1999 Giarrante
D363,218	S	* 10/1995	Mann	D9/428	5,938,068	A	8/1999 Atkins et al.
5,474,199	A	12/1995	Julius et al.		D416,797	S	11/1999 Rabe et al.
5,511,684	A	4/1996	Weaver, Jr.		D443,483	S	6/2001 Gilliam et al.
5,582,314	A	12/1996	Quinn et al.		D443,508	S	* 6/2001 Braaten et al.
D381,560	S	7/1997	Indekeu		D444,027	S	6/2001 Gilliam

* cited by examiner

Fig. 1

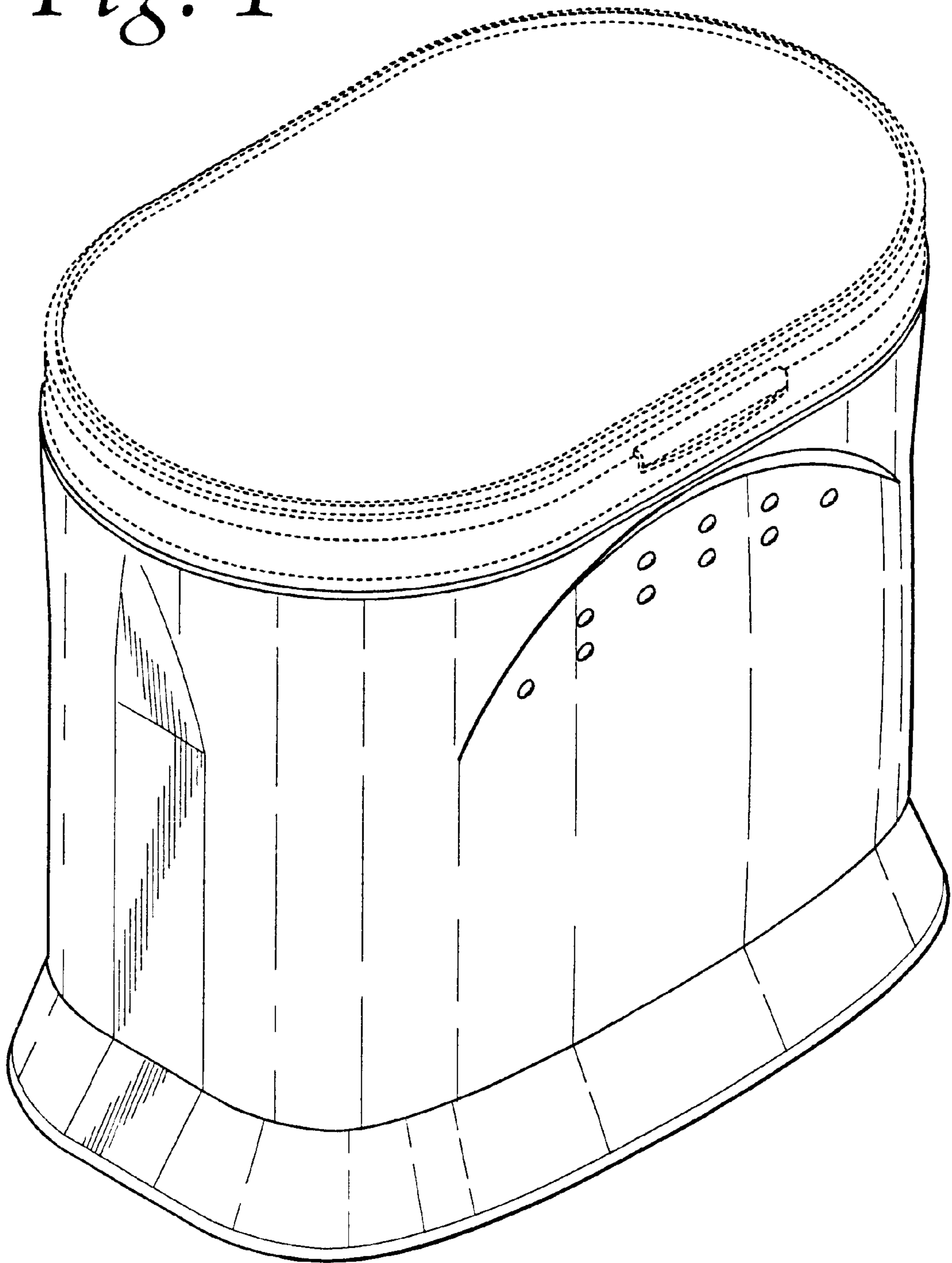


Fig. 2

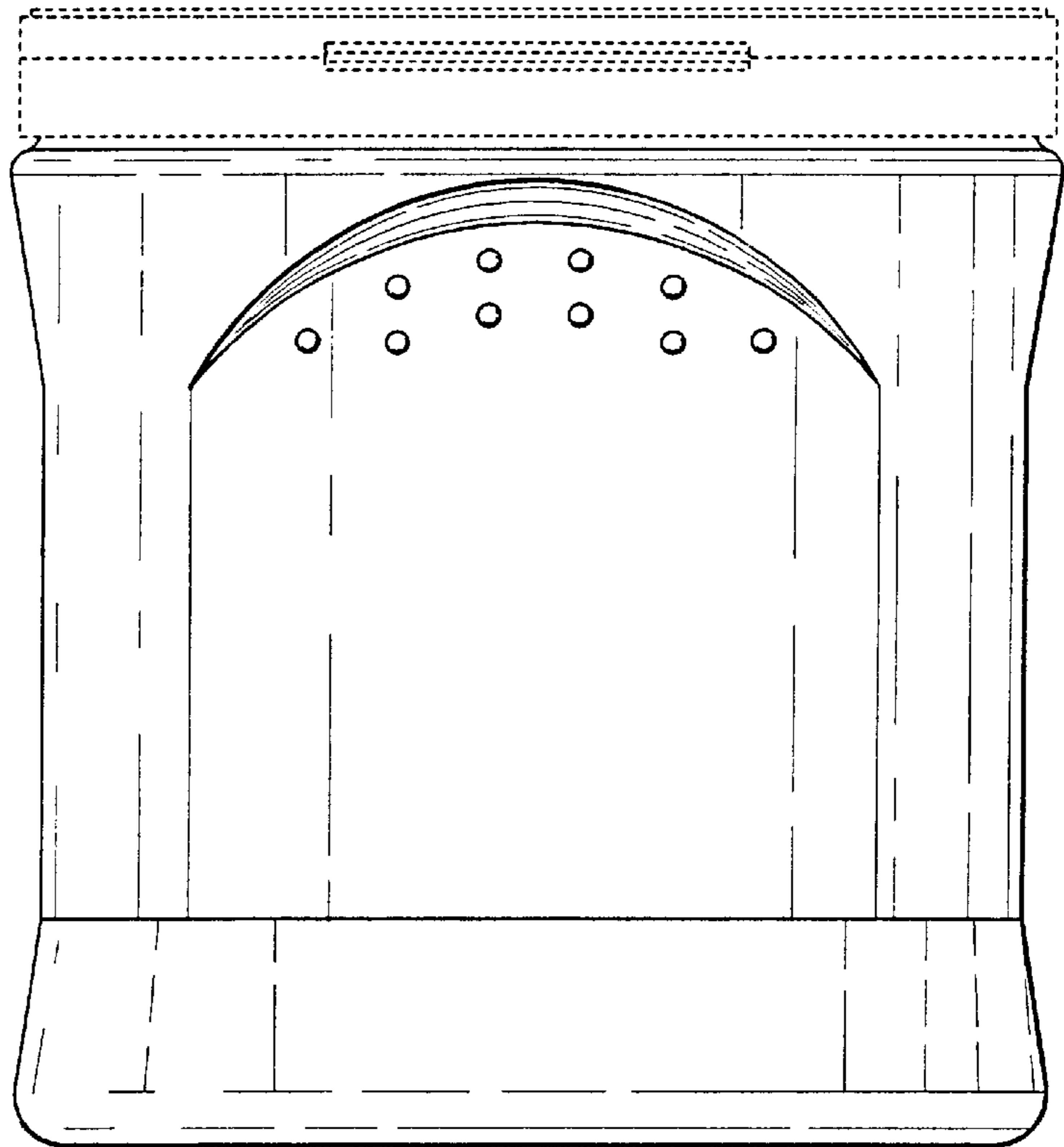


Fig. 3

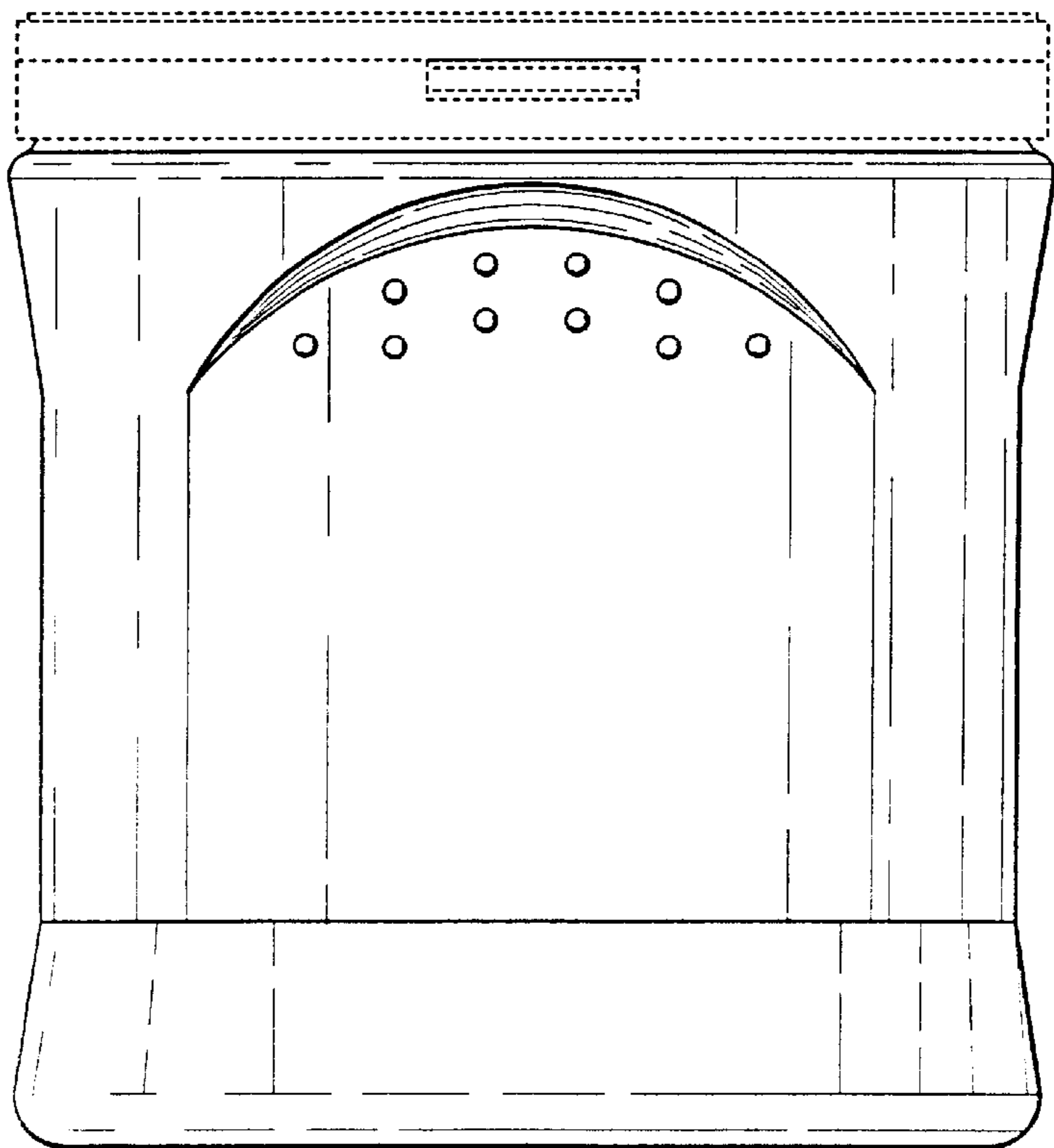


Fig. 4

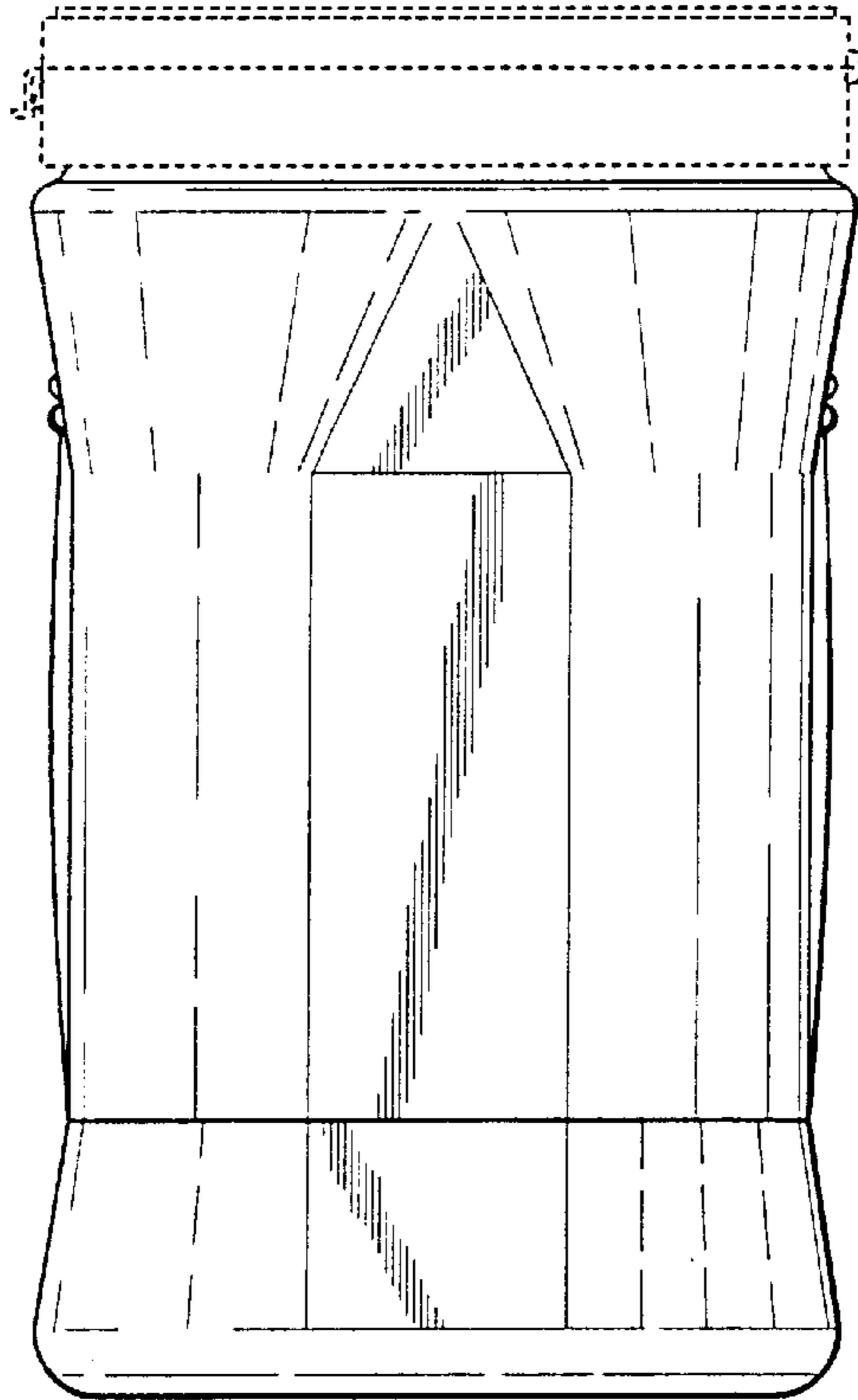


Fig. 5

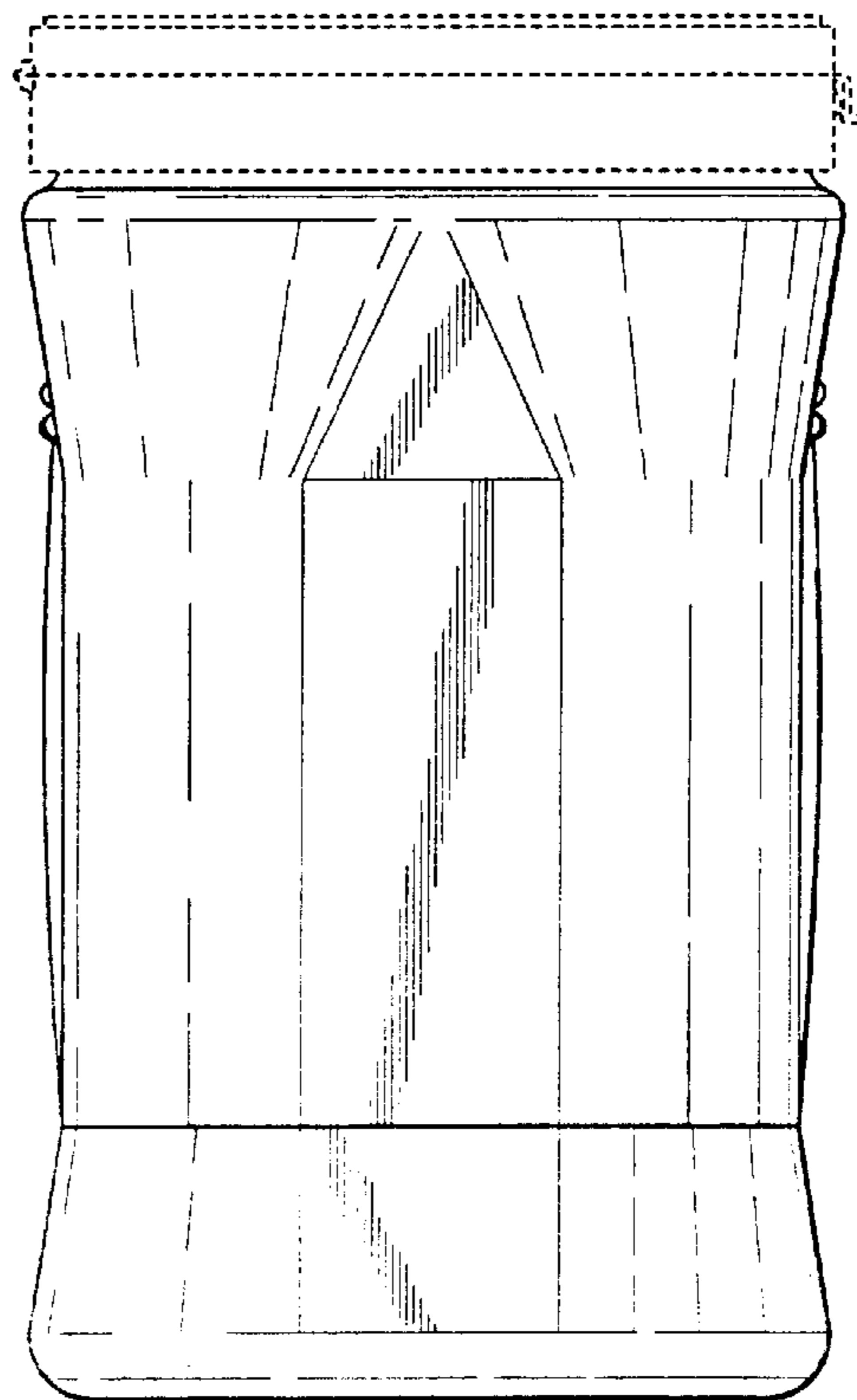


Fig. 6

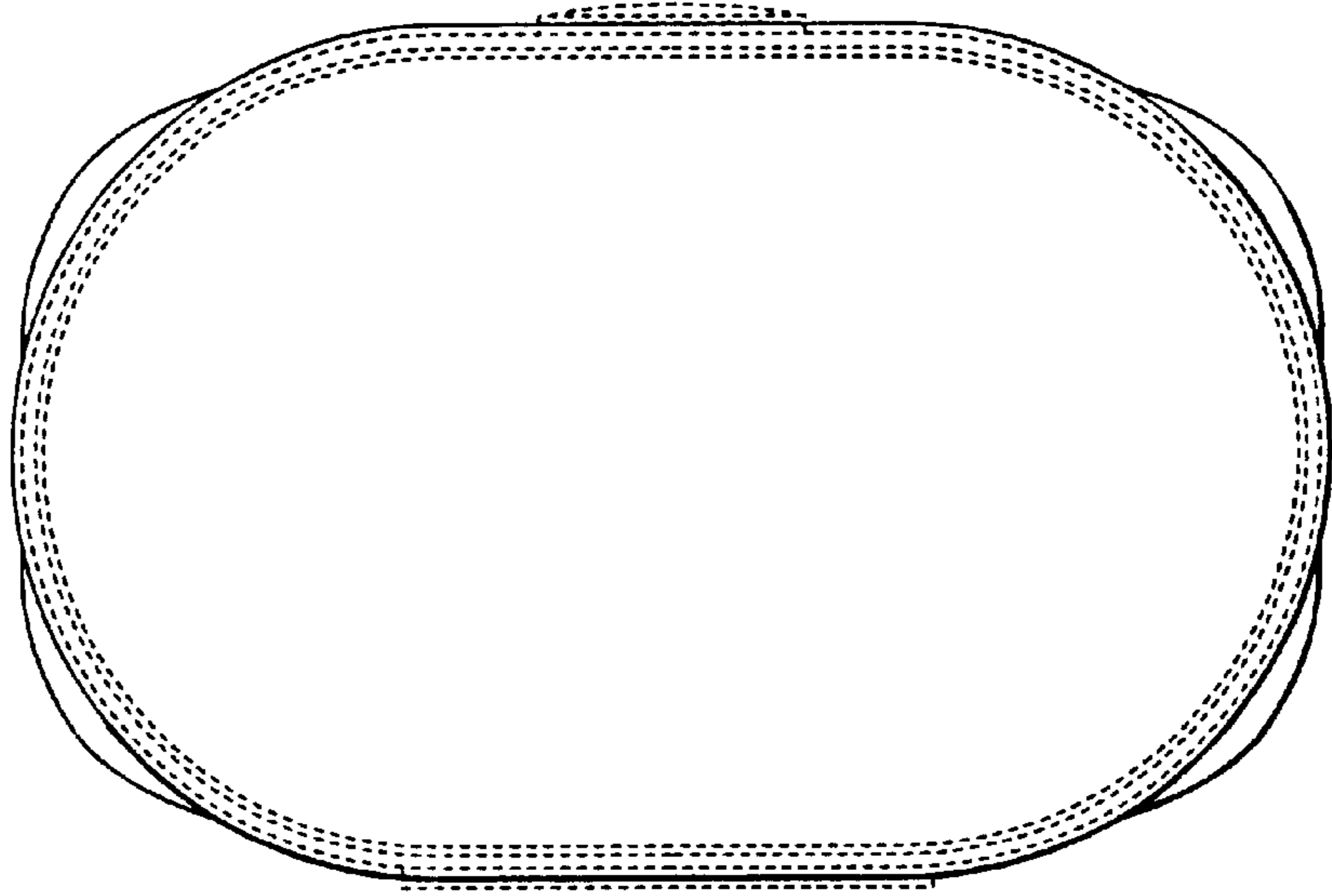


Fig. 7

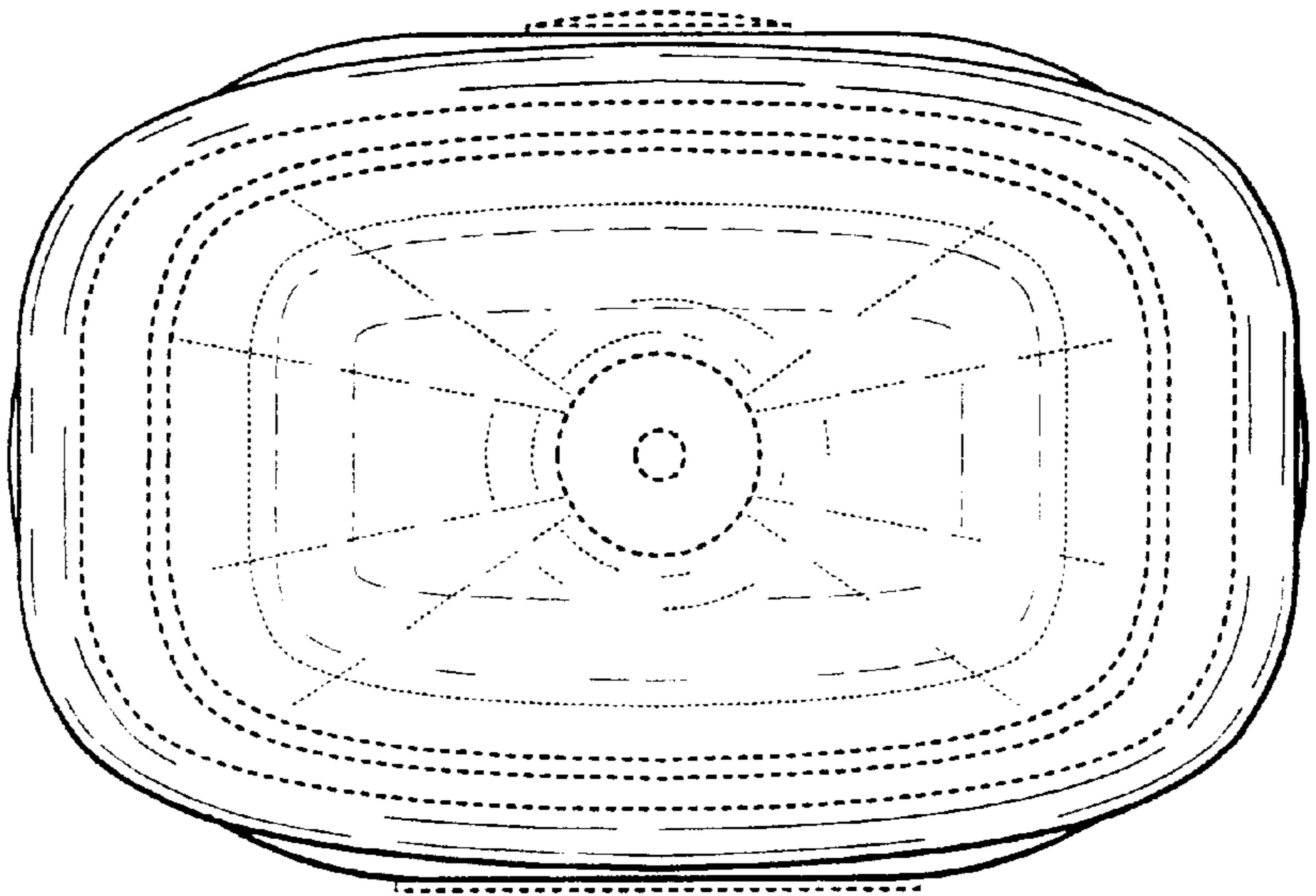


Fig. 8

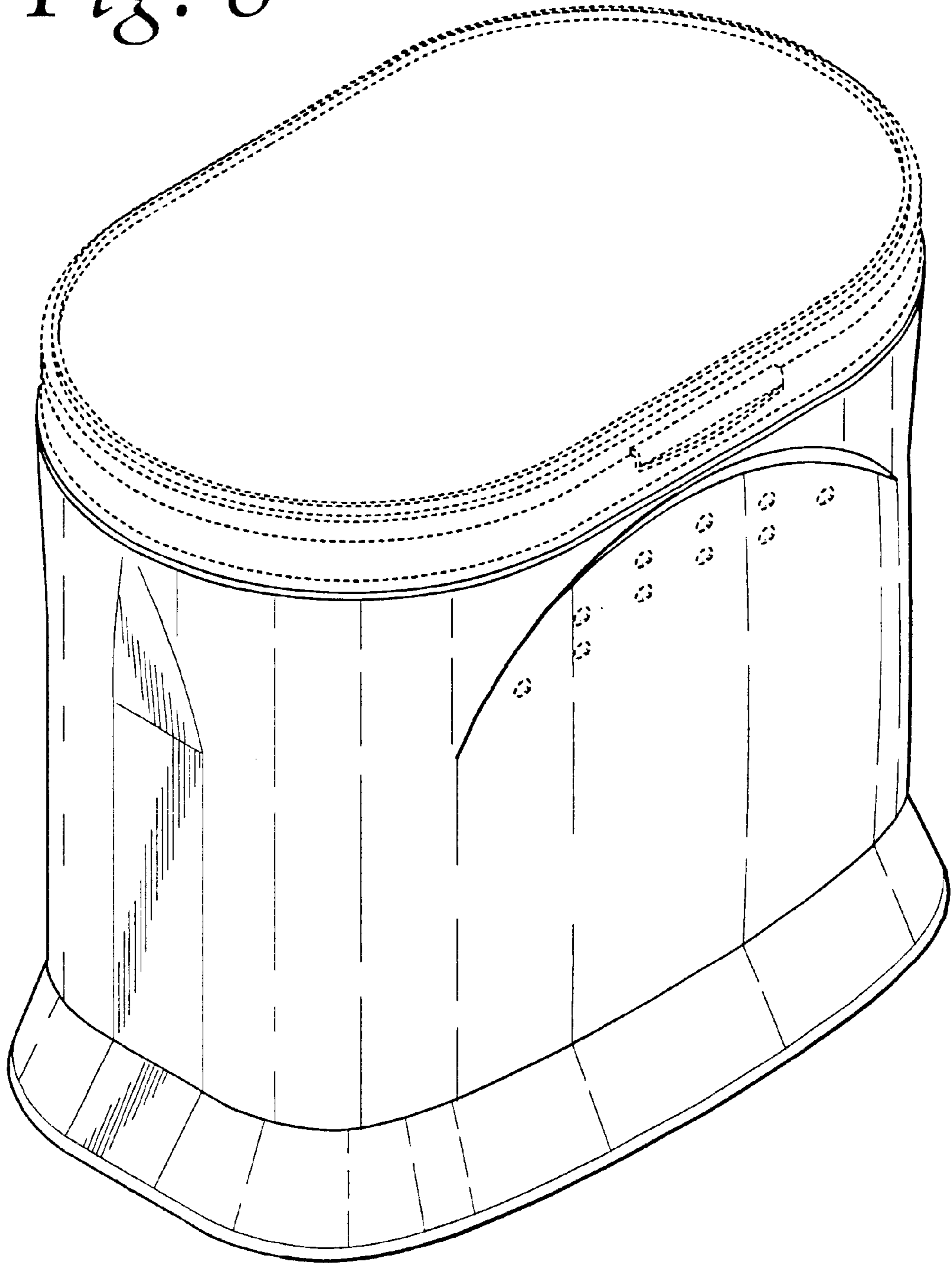


Fig. 9

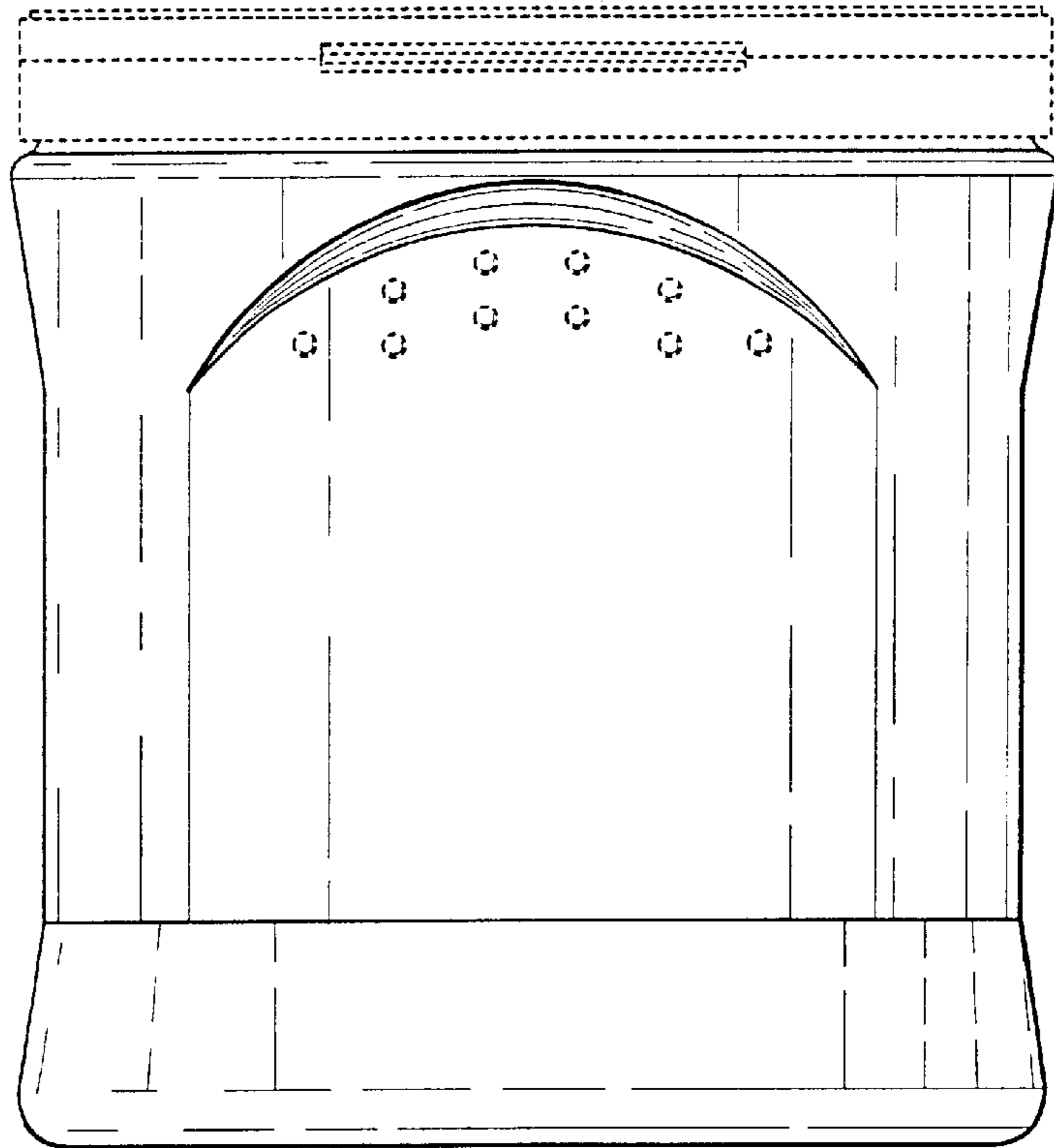


Fig. 10

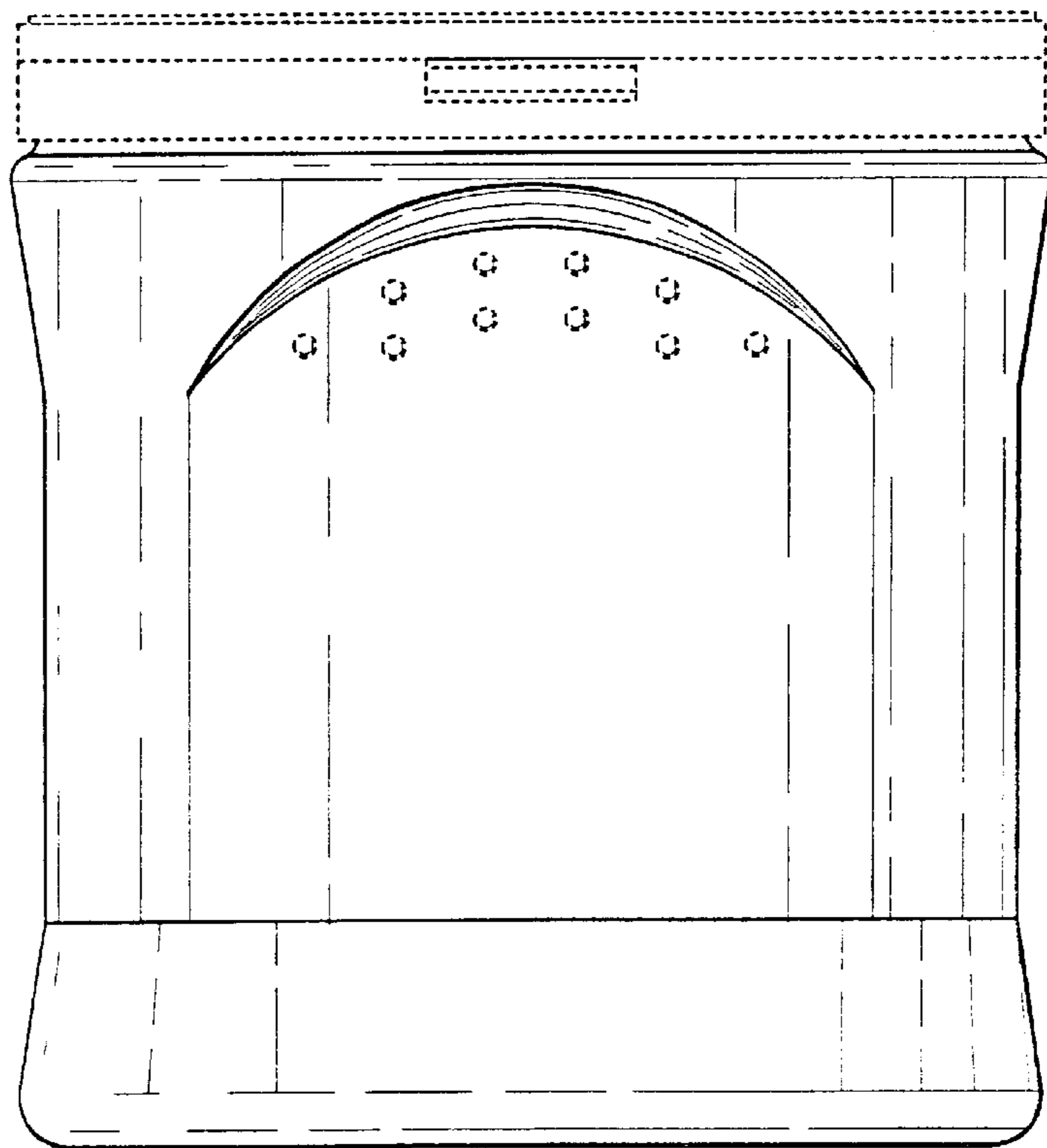


Fig. 11

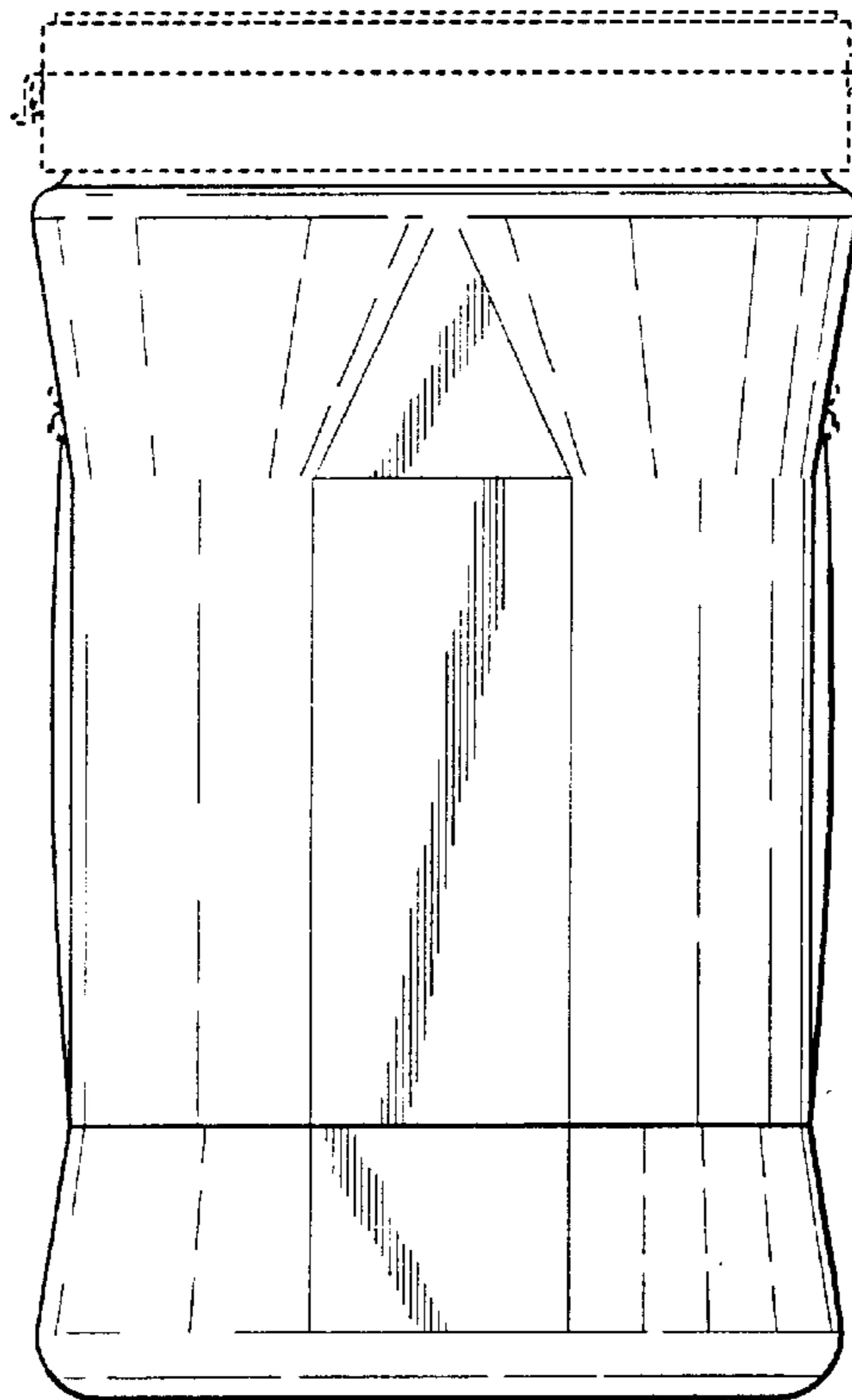


Fig. 12

