



US00D473137S

(12) **United States Design Patent**
Cadiente et al.

(10) **Patent No.: US D473,137 S**

(45) **Date of Patent: ** Apr. 15, 2003**

(54) **PACKAGING CONTAINER**

(75) Inventors: **Anthony Cadiente**, Salinas, CA (US);
William K. Sambrailo, Aptos, CA
(US); **Mark Sambrailo**, Watsonville,
CA (US)

(73) Assignee: **Sambrailo Packaging, Inc.**,
Watsonville, CA (US)

(**) Term: **14 Years**

(21) Appl. No.: **29/167,295**

(22) Filed: **Sep. 10, 2002**

Related U.S. Application Data

(63) Continuation-in-part of application No. 10/017,893, filed on Dec. 12, 2001, which is a continuation-in-part of application No. 09/590,631, filed on Jun. 8, 2000, now abandoned, which is a continuation of application No. 09/060,453, filed on Apr. 14, 1998, now Pat. No. 6,074,676, which is a continuation of application No. 08/591,000, filed on Jan. 24, 1996, now Pat. No. 5,738,890.

(51) **LOC (7) Cl.** **09-03**

(52) **U.S. Cl.** **D9/423**

(58) **Field of Search** D9/420-425, 432,
D9/337, 414; 206/503, 508, 501, 216, 541,
223, 822, 823; 220/500, 781, 782, 783,
797, 376, 836-839; 426/106

(56) **References Cited**

U.S. PATENT DOCUMENTS

- 3,082,903 A * 3/1963 Stevens et al. 220/839
- 4,401,229 A * 8/1983 Bell et al. 220/847
- 5,012,928 A * 5/1991 Proffit et al. 206/508
- D327,220 S * 6/1992 Proffit et al. D9/423
- D332,917 S * 2/1993 McDevitt et al. D9/423
- D384,502 S * 10/1997 Seager et al. D9/423

- 5,738,890 A * 4/1998 Cadiente et al. 426/106
- D416,794 S * 11/1999 Cormack D9/423
- 6,007,854 A * 12/1999 Cadiente et al. 426/106
- D419,870 S * 2/2000 Albright et al. D9/423
- D460,690 S * 7/2002 Doerschlag D9/423

* cited by examiner

Primary Examiner—Prabhakar Deshmukh

(74) *Attorney, Agent, or Firm*—Beyer Weaver & Thomas,
LLP

(57) **CLAIM**

We claim the ornamental design for a packaging container,
as shown.

DESCRIPTION

FIG. 1 is a perspective view of an opened packaging
container of the claimed design.

FIG. 2 is a perspective view of a closed packaging
container of the claimed design.

FIG. 3 is a right side view of a closed packaging
container of the claimed design.

FIG. 4 is a left side view of a closed packaging
container of the claimed design.

FIG. 5 is a back side view of a closed packaging
container of the claimed design.

FIG. 6 is a front side view of a closed packaging
container of the claimed design.

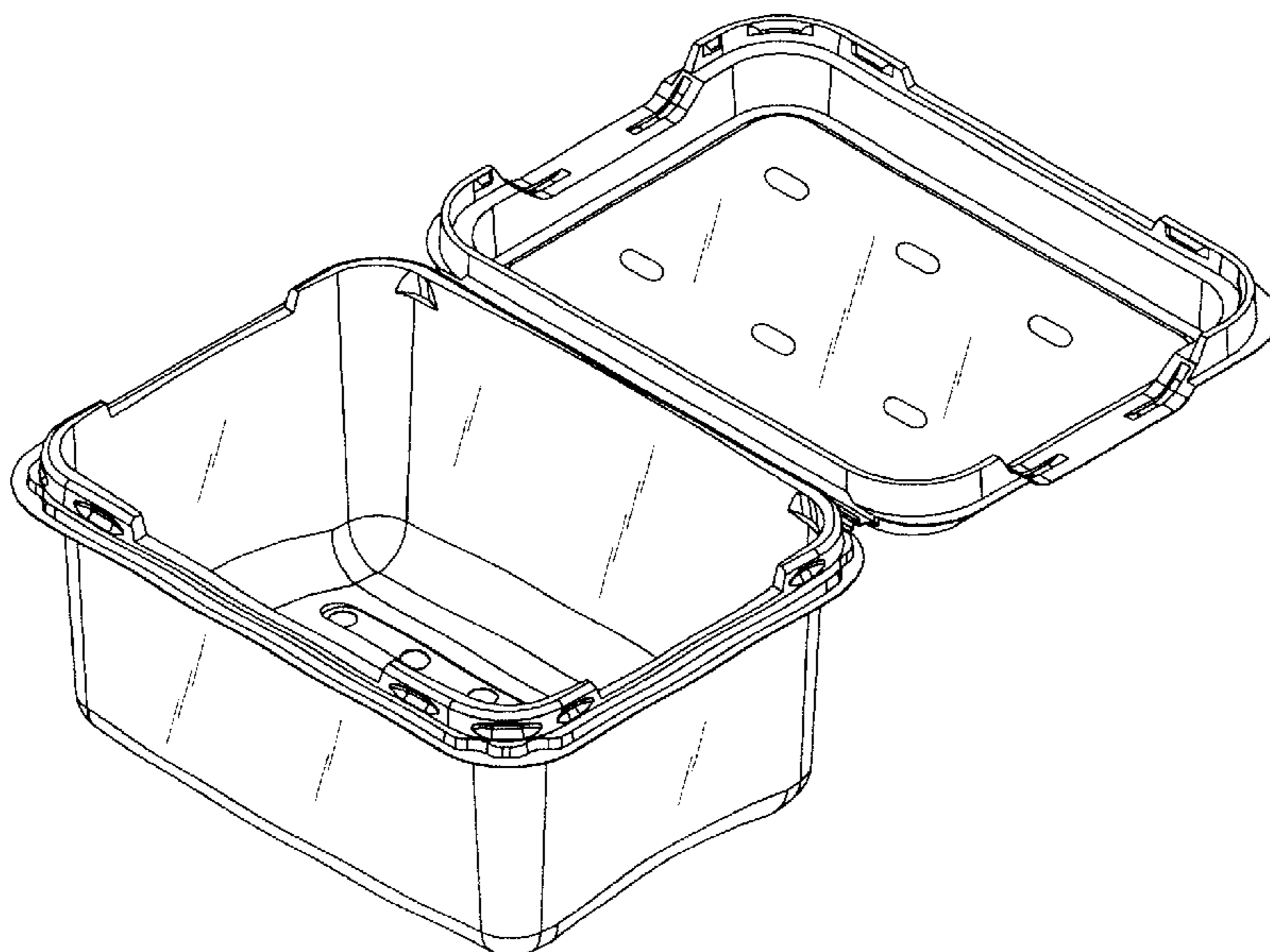
FIG. 7 is a plan view of the bottom of a closed
packaging container of the claimed design.

FIG. 8 is a plan view of the top of a closed
packaging container of the claimed design.

FIG. 9 is another plan view of the bottom of a
closed packaging container of the claimed design; and,

FIG. 10 is another plan view of the top of a
closed packaging container of the claimed design.

1 Claim, 4 Drawing Sheets



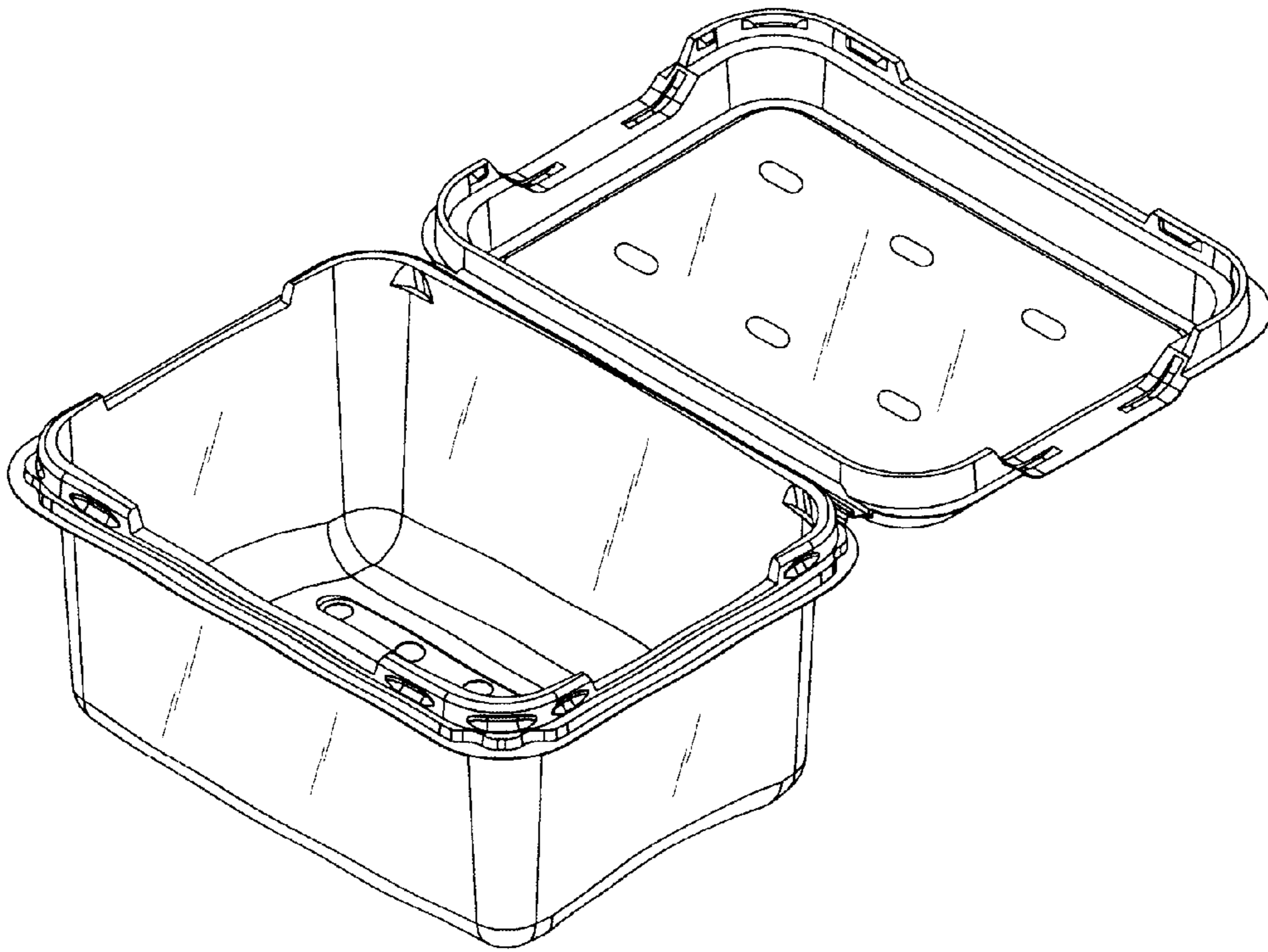


FIG. 1

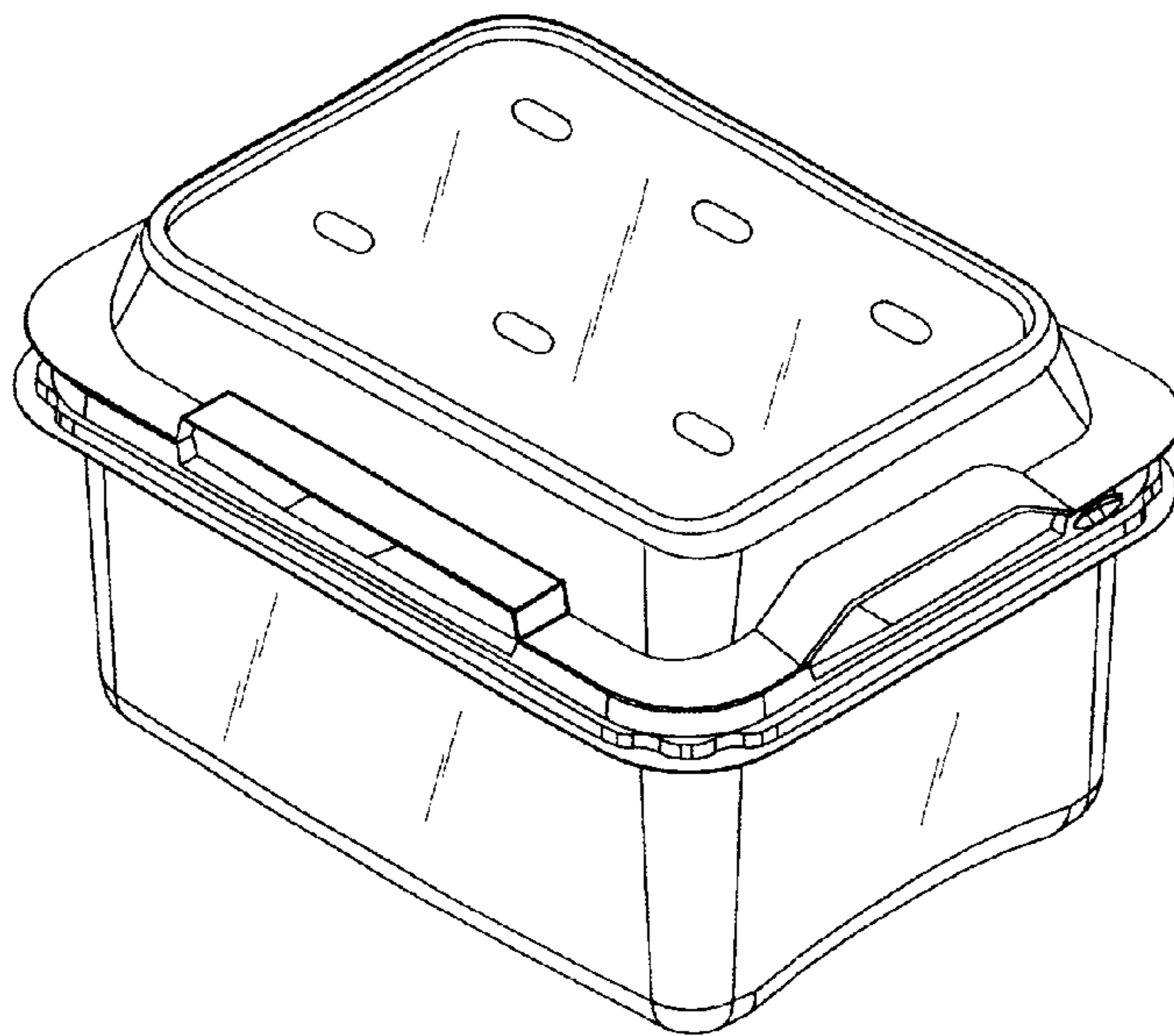


FIG. 2

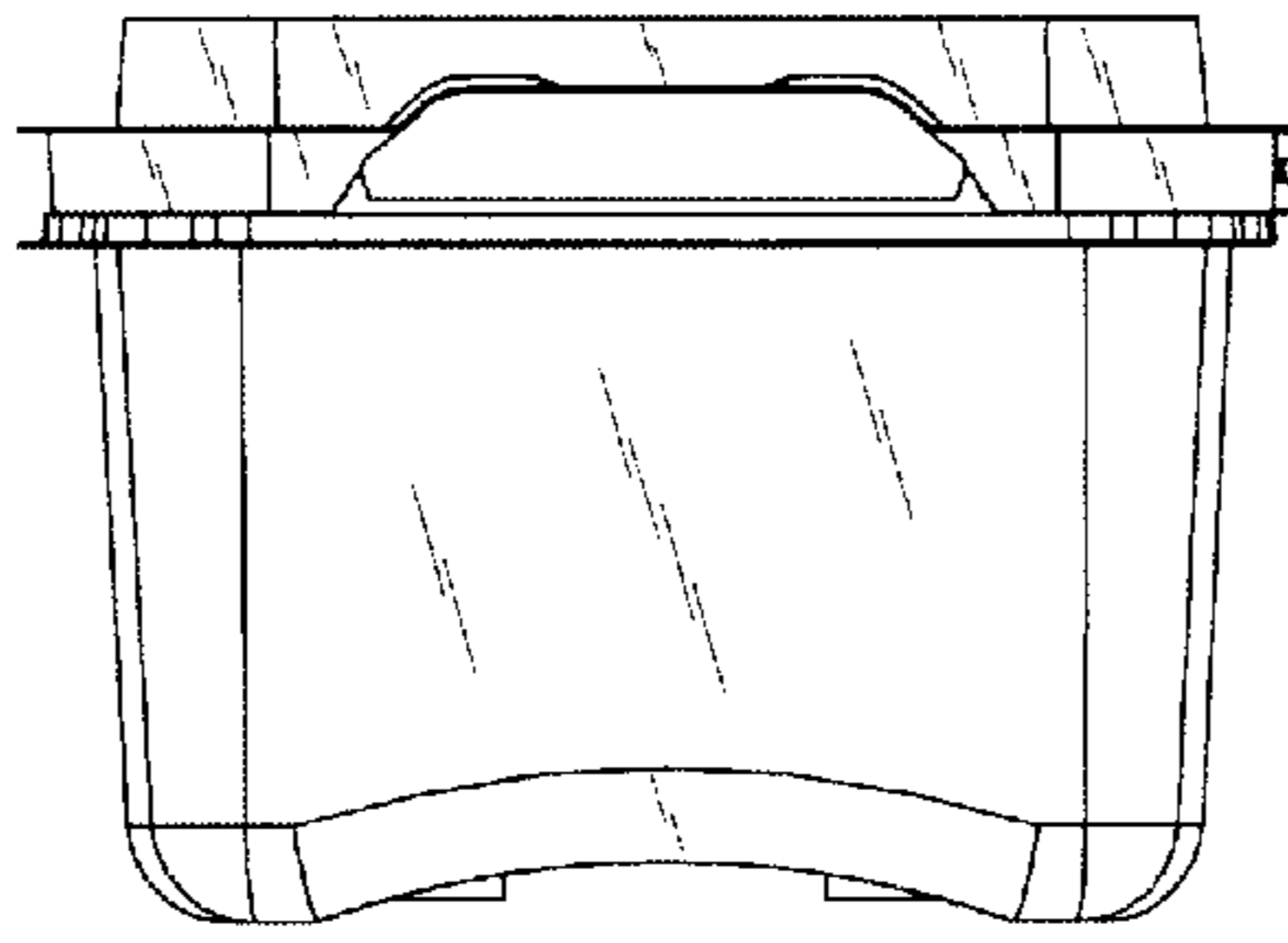


FIG. 3

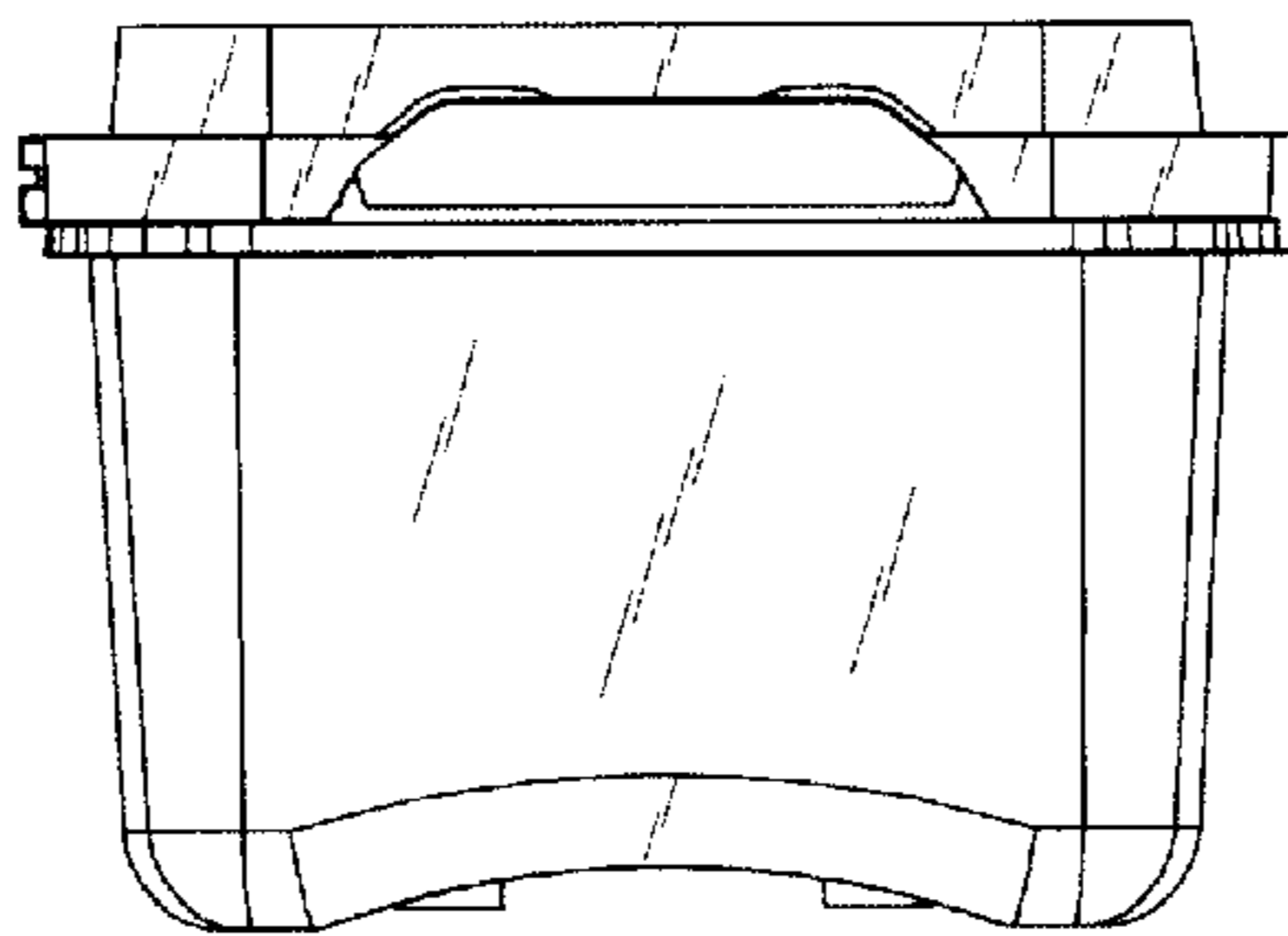


FIG. 4

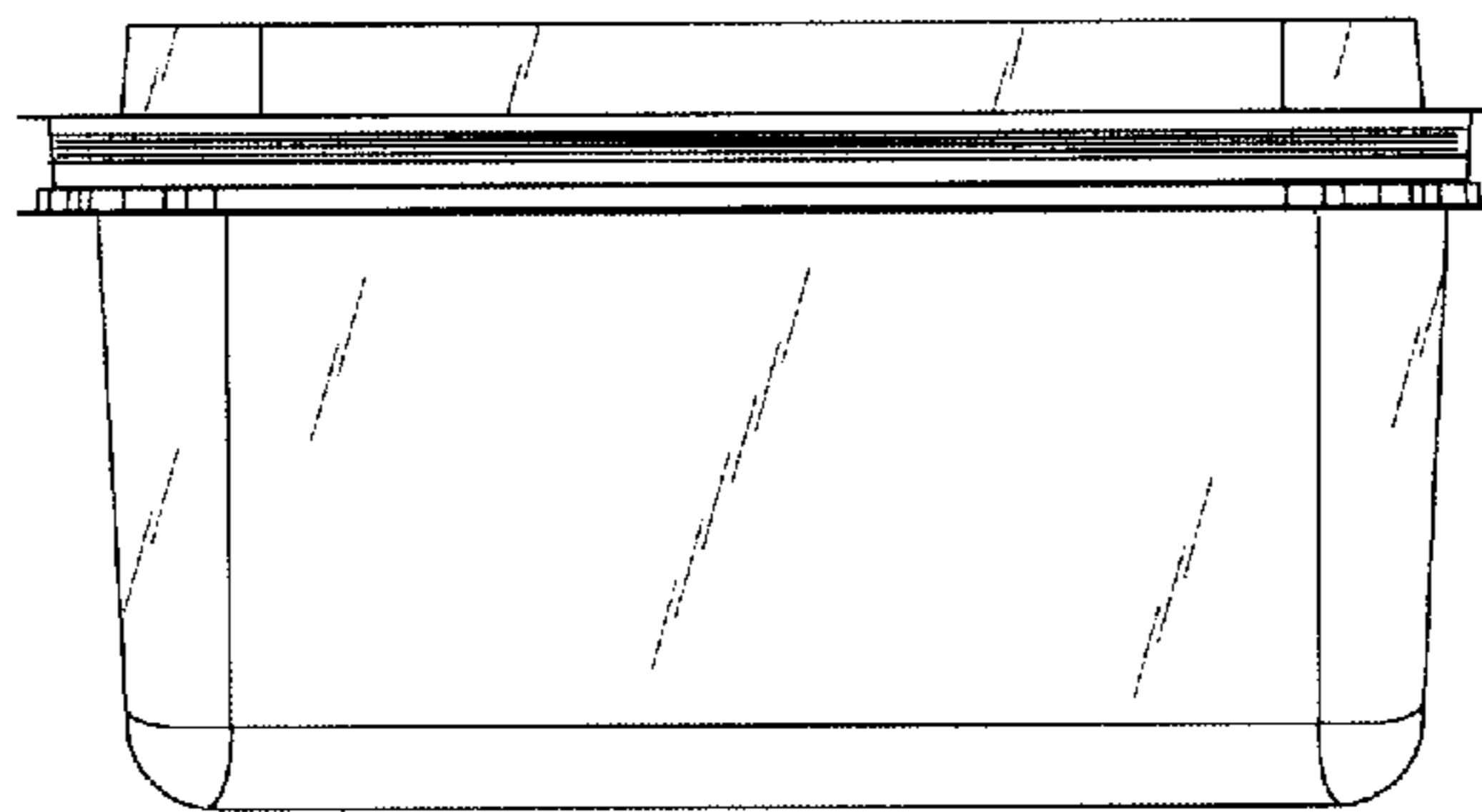


FIG. 5

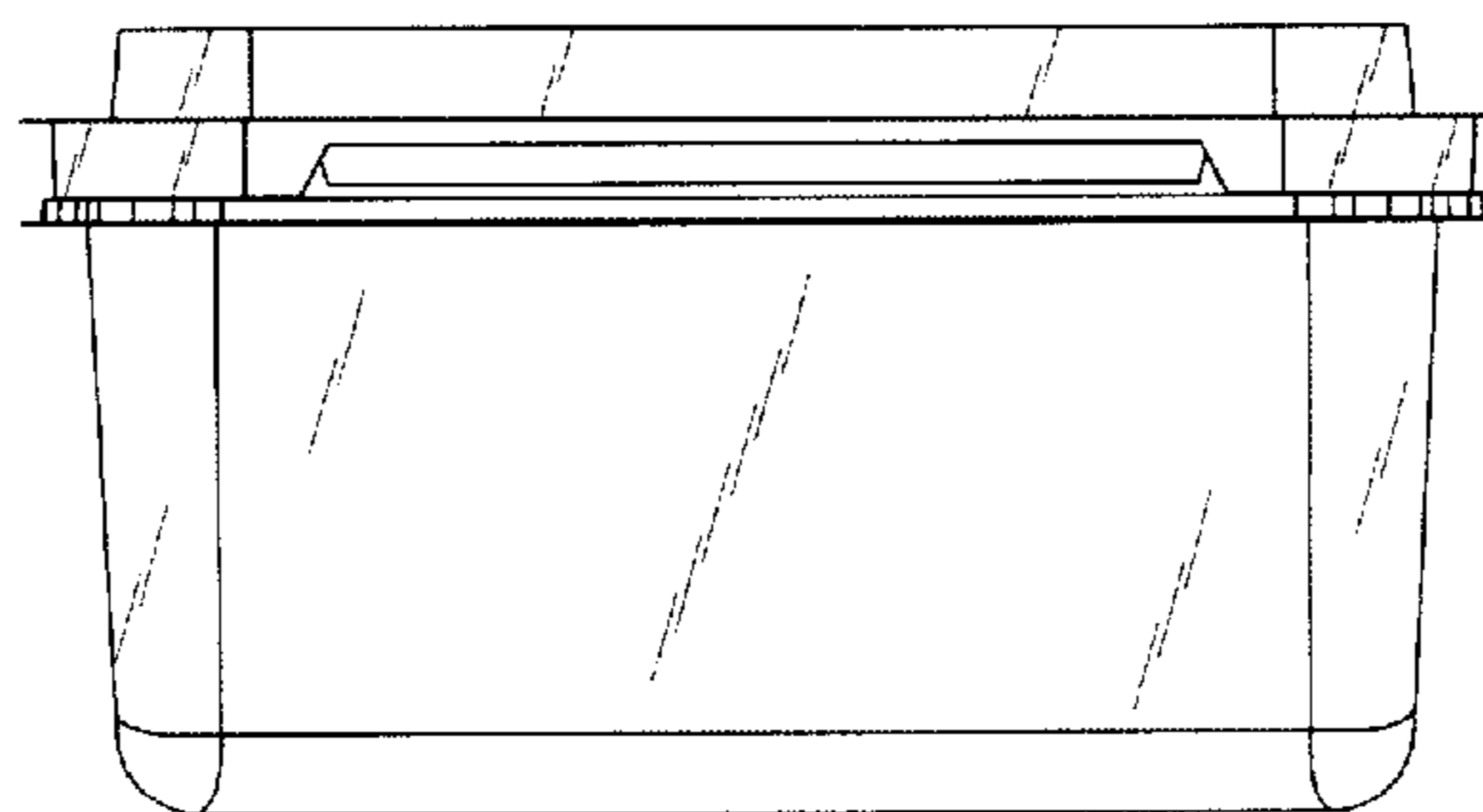


FIG. 6

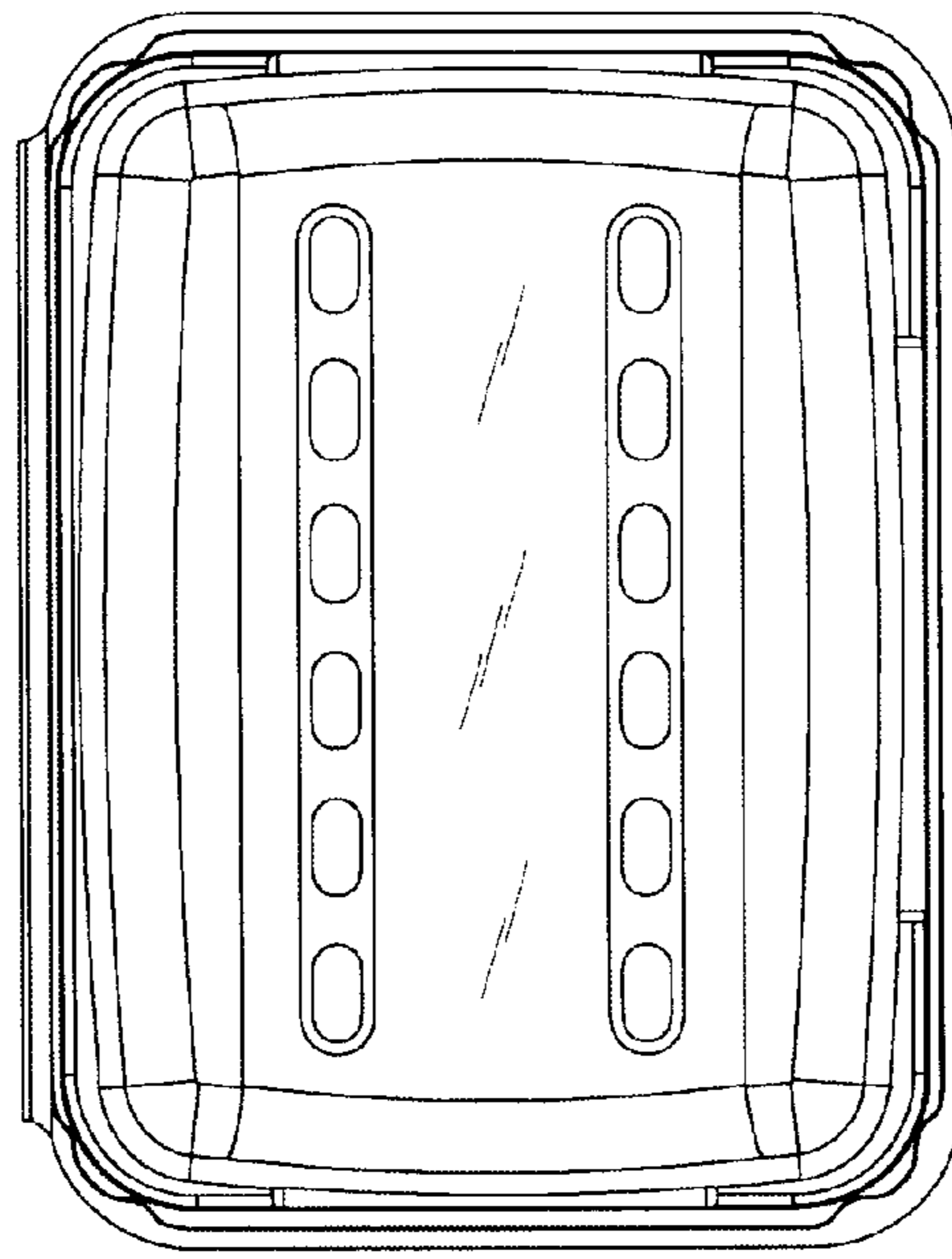


FIG. 7

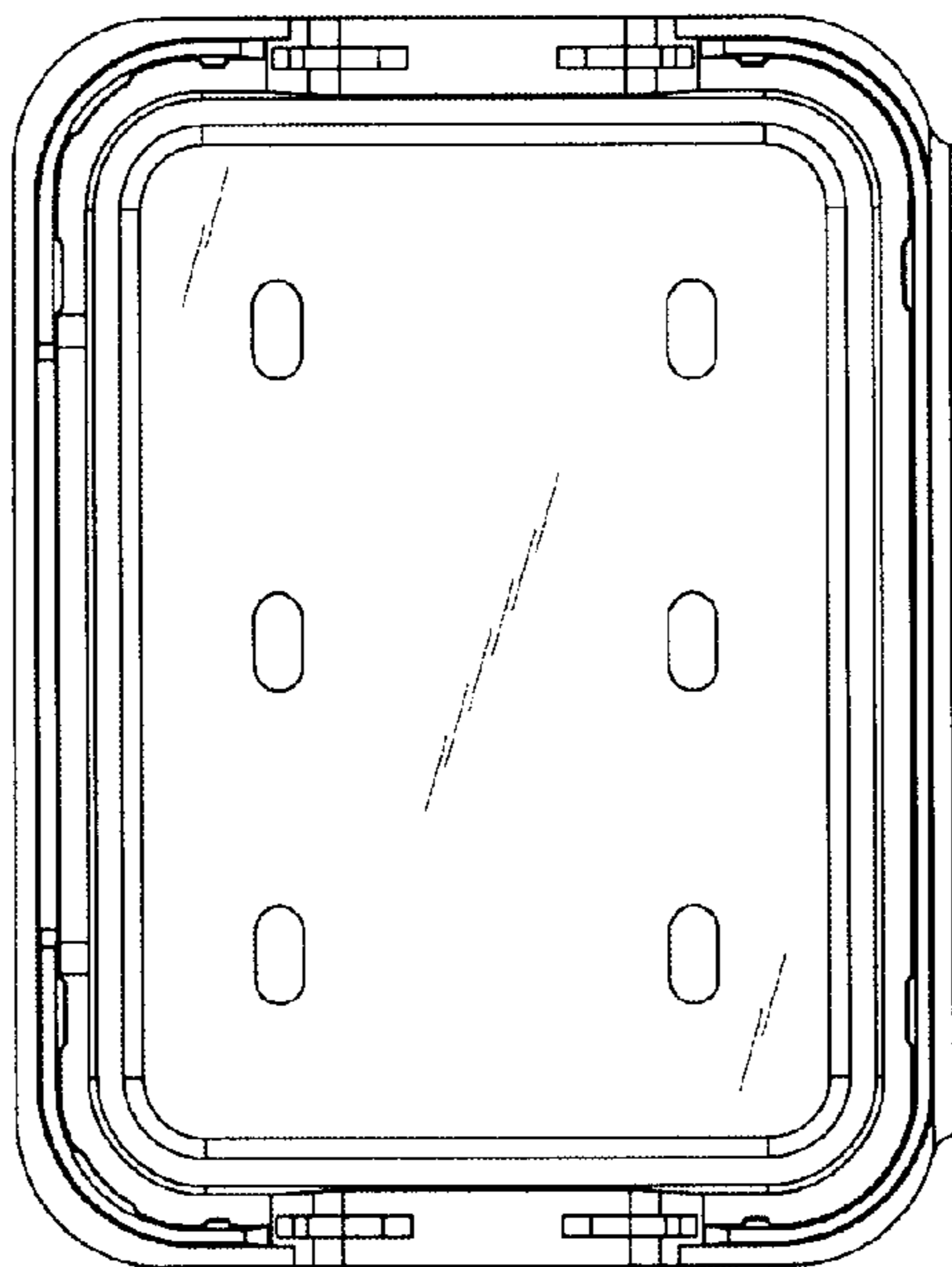


FIG. 8

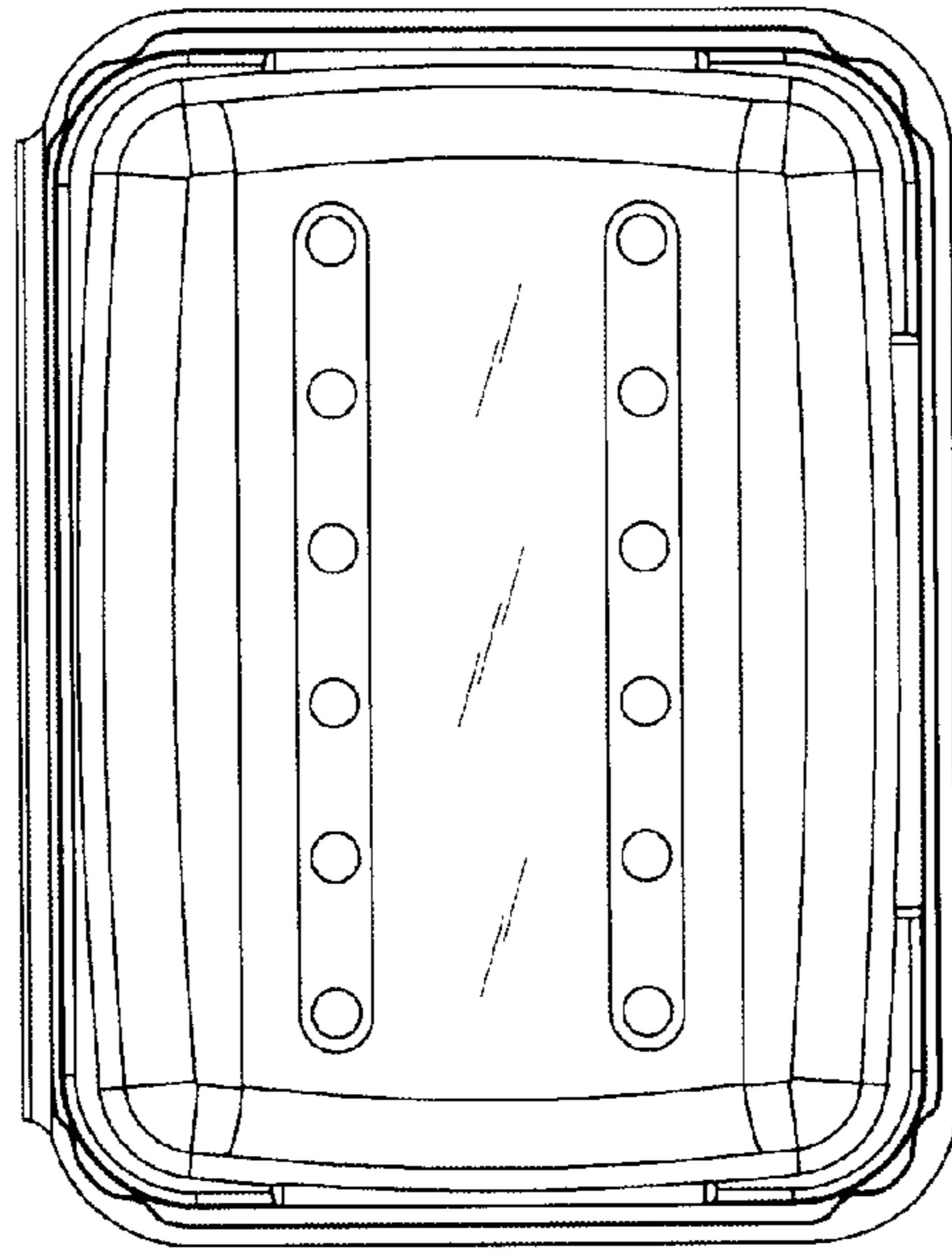


FIG. 9

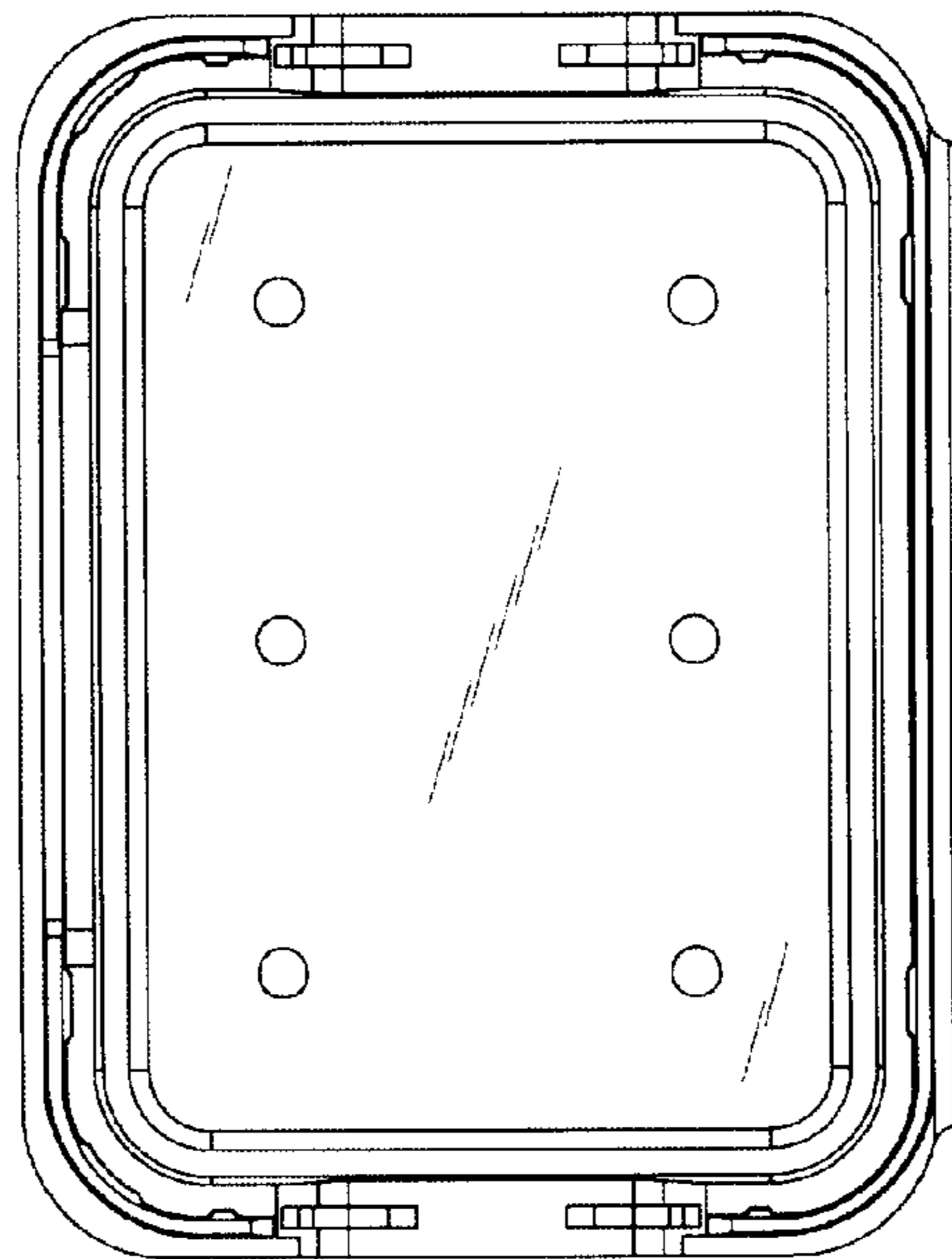


FIG. 10