



US00D473136S

(12) **United States Design Patent**  
**McLeish**

(10) **Patent No.:** **US D473,136 S**

(45) **Date of Patent:** **\*\* Apr. 15, 2003**

(54) **CONTAINER**

(75) **Inventor:** **Andrew Robert McLeish, Sheffield (GB)**

(73) **Assignee:** **Reckitt Benckiser (UK) Limited, Slough (GB)**

(\*\*) **Term:** **14 Years**

(21) **Appl. No.:** **29/157,088**

(22) **Filed:** **Mar. 12, 2002**

(30) **Foreign Application Priority Data**

Sep. 13, 2001 (GB) ..... 2104759

(51) **LOC (7) Cl.** ..... **09-03**

(52) **U.S. Cl.** ..... **D9/418; D9/430**

(58) **Field of Search** ..... D9/428, 429, 430, D9/341, 423-426, 346, 432, 418; D7/601, 602, 629; 206/216, 541, 508, 518, 557, 822, 521.1, 521.2, 823, 769, 776, 777; 229/406, 407, 4.5, 5.5, 902-906, 938, 116.1, 162; 220/4.21-4.27, 556, 244, 781, 669, 836-842, 674, 675, 912, 662; 426/106, 129, 130

(56) **References Cited**

**U.S. PATENT DOCUMENTS**

3,587,122 A \* 6/1971 Humphrey ..... 220/662

4,143,805 A	*	3/1979	Sutton	.....	220/4.21
4,508,216 A	*	4/1985	Kelman	.....	220/665
D280,704 S	*	9/1985	Dalton	.....	D9/423
5,261,848 A	*	11/1993	Kaplan et al.	.....	220/662
5,755,327 A	*	5/1998	Saltzman et al.	.....	206/457
6,119,865 A	*	9/2000	Kawada	.....	206/303
D438,378 S	*	3/2001	Charness	.....	D9/418
D455,552 S	*	4/2002	Charness	.....	D9/418
D455,651 S	*	4/2002	Ma	.....	D9/418
D455,955 S	*	4/2002	Hood et al.	.....	D9/418
6,450,343 B1	*	9/2002	Arnaldi	.....	206/769

\* cited by examiner

*Primary Examiner*—Prabhakar Deshmukh  
(74) *Attorney, Agent, or Firm*—Akin, Gump, Strauss, Hauer & Feld, L.L.P.

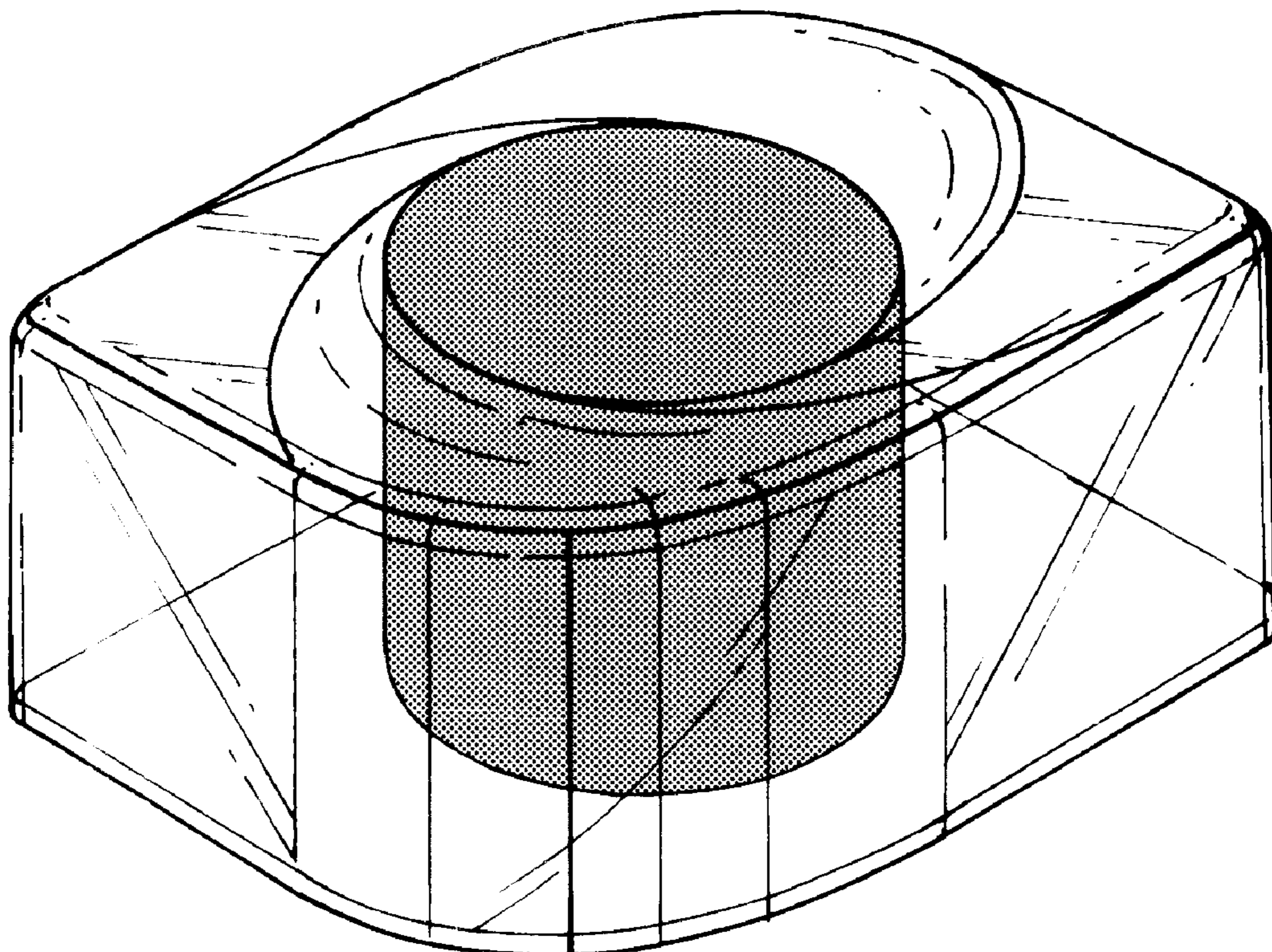
(57) **CLAIM**

The ornamental design for a container, as shown and described.

**DESCRIPTION**

FIG. 1 is a top perspective view of a container in accordance with my new design;  
FIG. 2 is a right side elevational view thereof, a left side elevational view being a mirror image thereof;  
FIG. 3 is a bottom plan view thereof; and,  
FIG. 4 is a top plan view thereof.

**1 Claim, 2 Drawing Sheets**



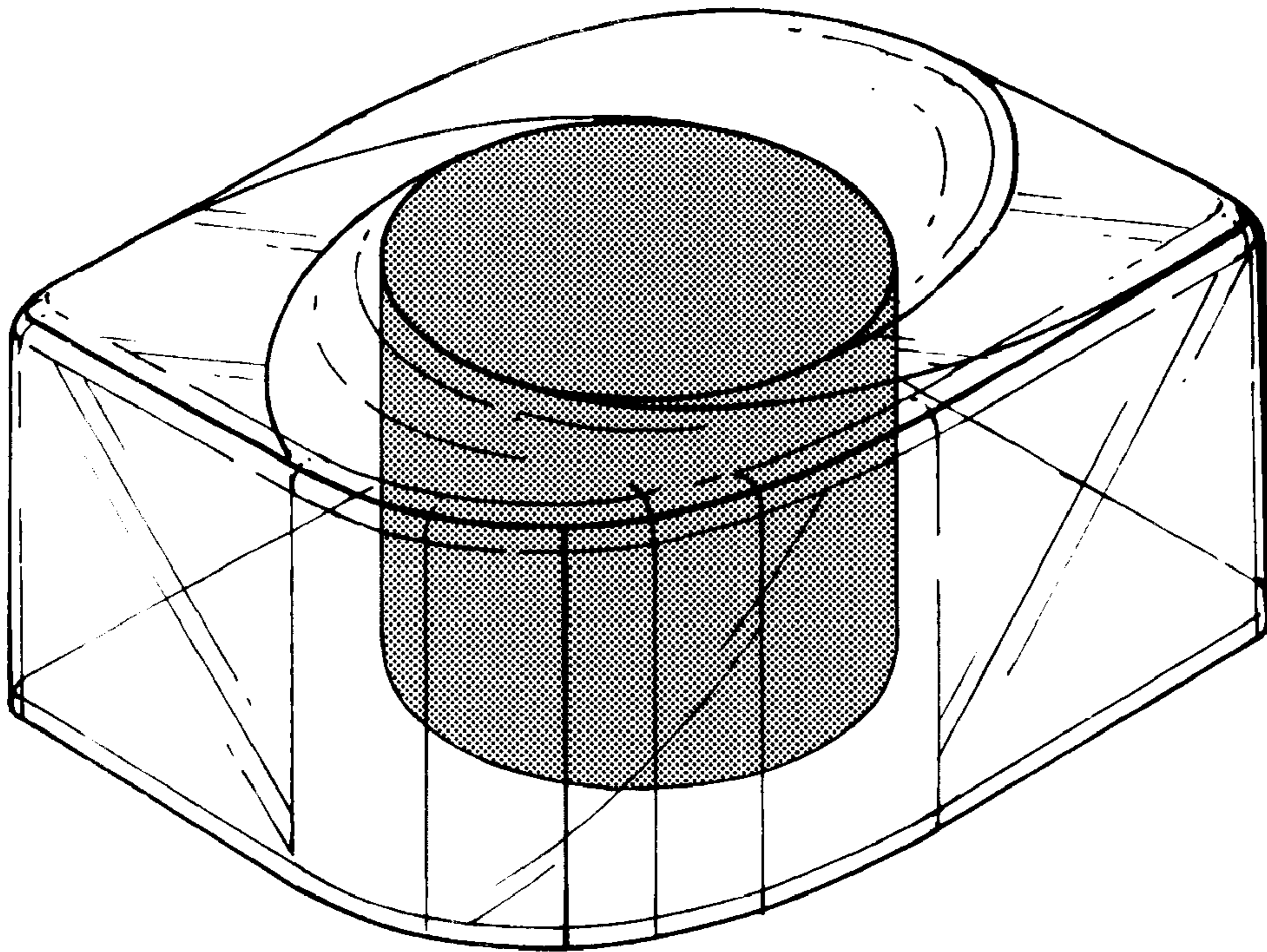


Fig.1.

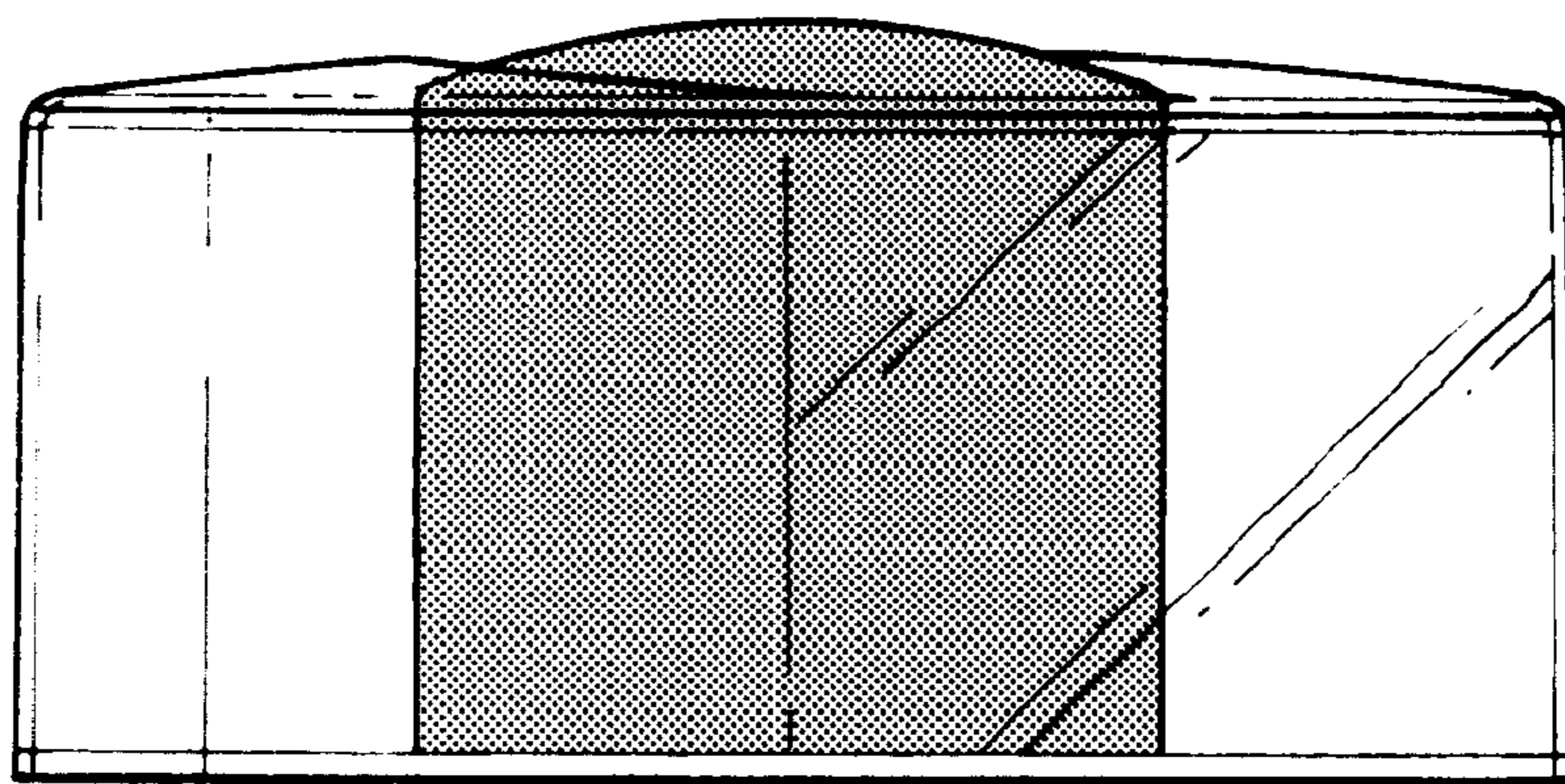


Fig.2.

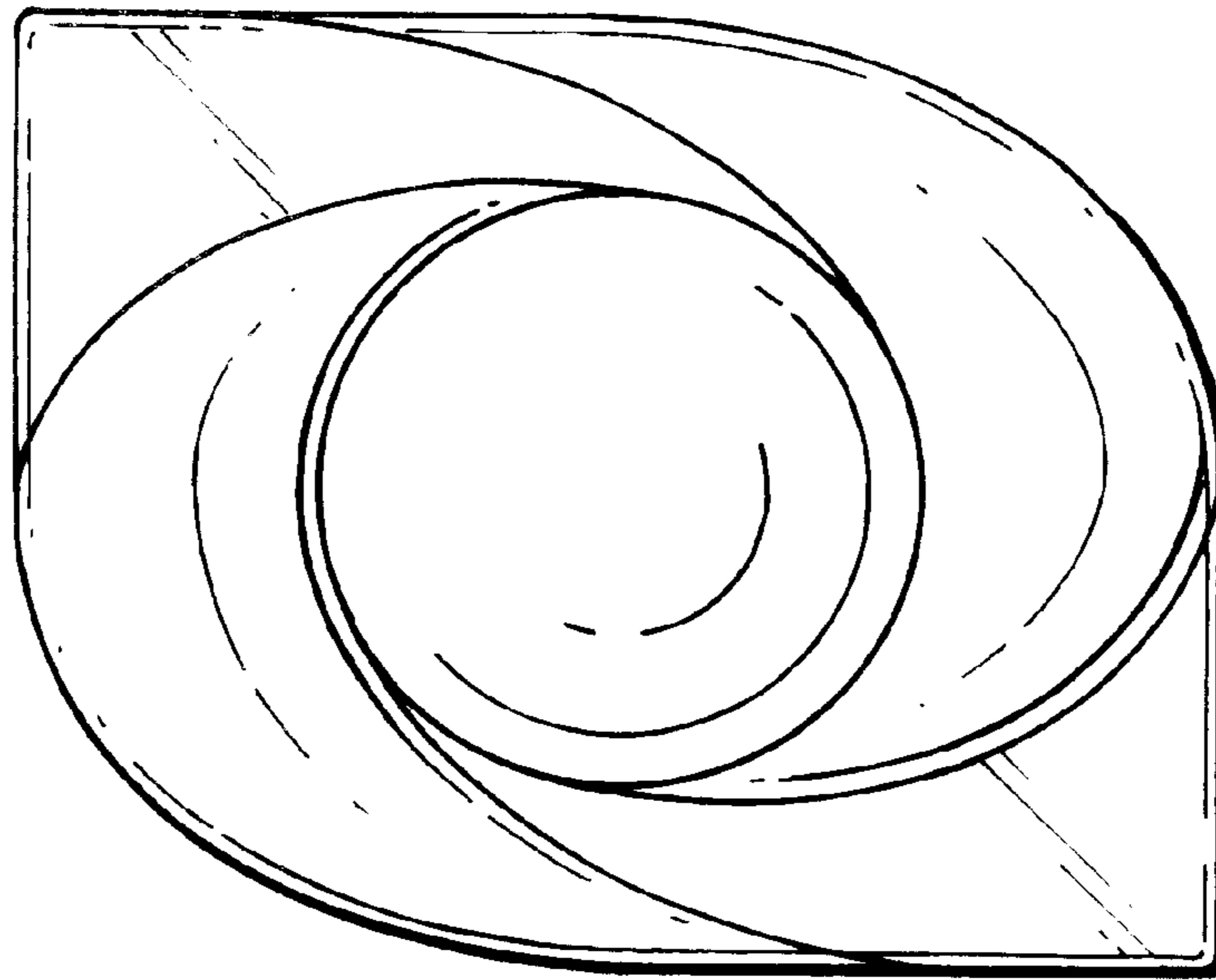


Fig.3.

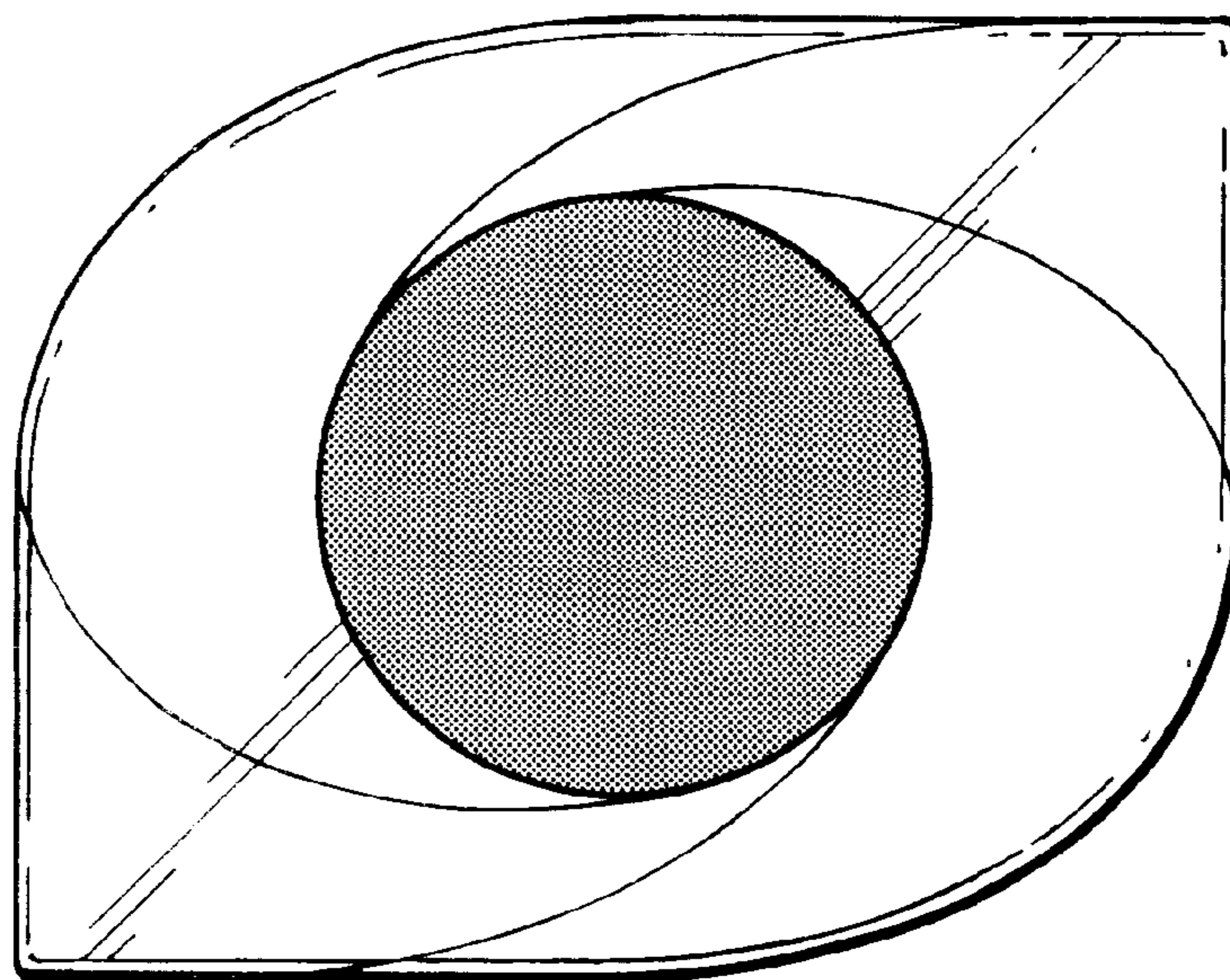


Fig.4.