



US00D473134S

(12) **United States Design Patent**
Nuzzo

(10) **Patent No.:** **US D473,134 S**

(45) **Date of Patent:** **** Apr. 15, 2003**

(54) **PRODUCT DISPLAY DISPENSER**

D452,820 S * 1/2002 Hacker D9/342

(75) Inventor: **Robert A. Nuzzo**, Inverness, IL (US)

* cited by examiner

(73) Assignee: **Solo Cup Company**, Highland Park, IL (US)

Primary Examiner—Ted Shooman

Assistant Examiner—Daniel Bui

(74) *Attorney, Agent, or Firm*—Wallenstein & Wagner, Ltd.

(**) Term: **14 Years**

(57) **CLAIM**

(21) Appl. No.: **29/148,265**

What is claimed is the ornamental design for a product display dispenser, as shown and described.

(22) Filed: **Sep. 18, 2001**

DESCRIPTION

(51) **LOC (7) Cl.** **09-01**

(52) **U.S. Cl.** **D9/342**

(58) **Field of Search** D9/339, 345, 342,
D9/414, 415, 418, 424, 432; 206/349, 351,
352, 354; 221/10, 22, 208, 282, 289; 222/52,
575

FIG. 1 is a perspective view of a product display dispenser showing my new design;

FIG. 2 is a top plan view thereof;

FIG. 3 is a bottom plan view thereof;

FIG. 4 is a side elevation view thereof;

FIG. 5 is a front elevation view thereof;

FIG. 6 is a rear elevation view thereof; and,

FIG. 7 is a cross-sectional view of FIG. 4 taken along lines 7—7.

The broken line showing of the environment is for illustrative purposes only and forms no part of the claimed design.

(56) **References Cited**

U.S. PATENT DOCUMENTS

- D165,346 S * 12/1951 Schladermundt et al. . D58/12.6
- D353,764 S * 12/1994 Ho D9/341
- D358,761 S * 5/1995 Ho D9/341
- D402,552 S * 12/1998 Reymond D9/341

1 Claim, 4 Drawing Sheets

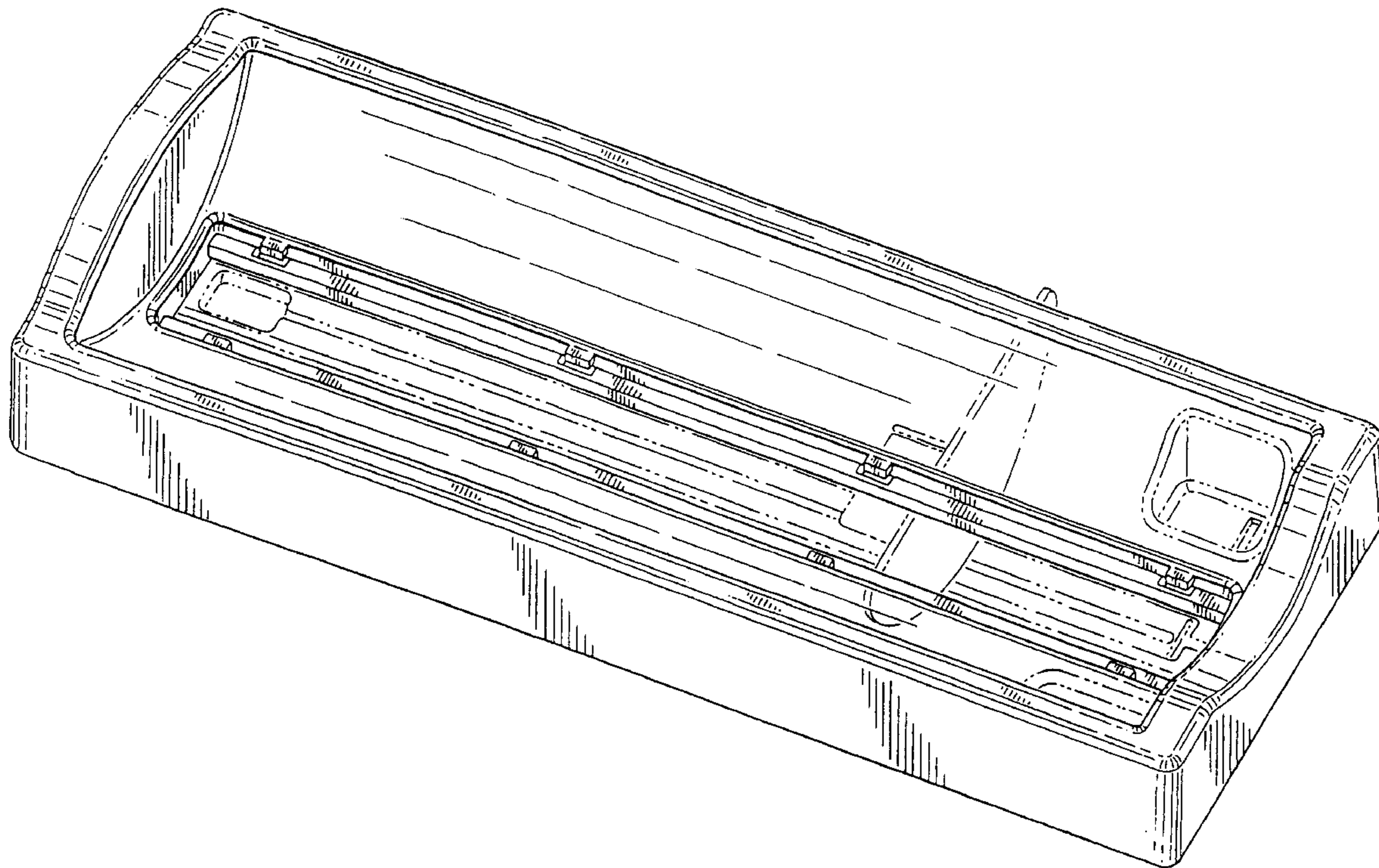


FIG. 1

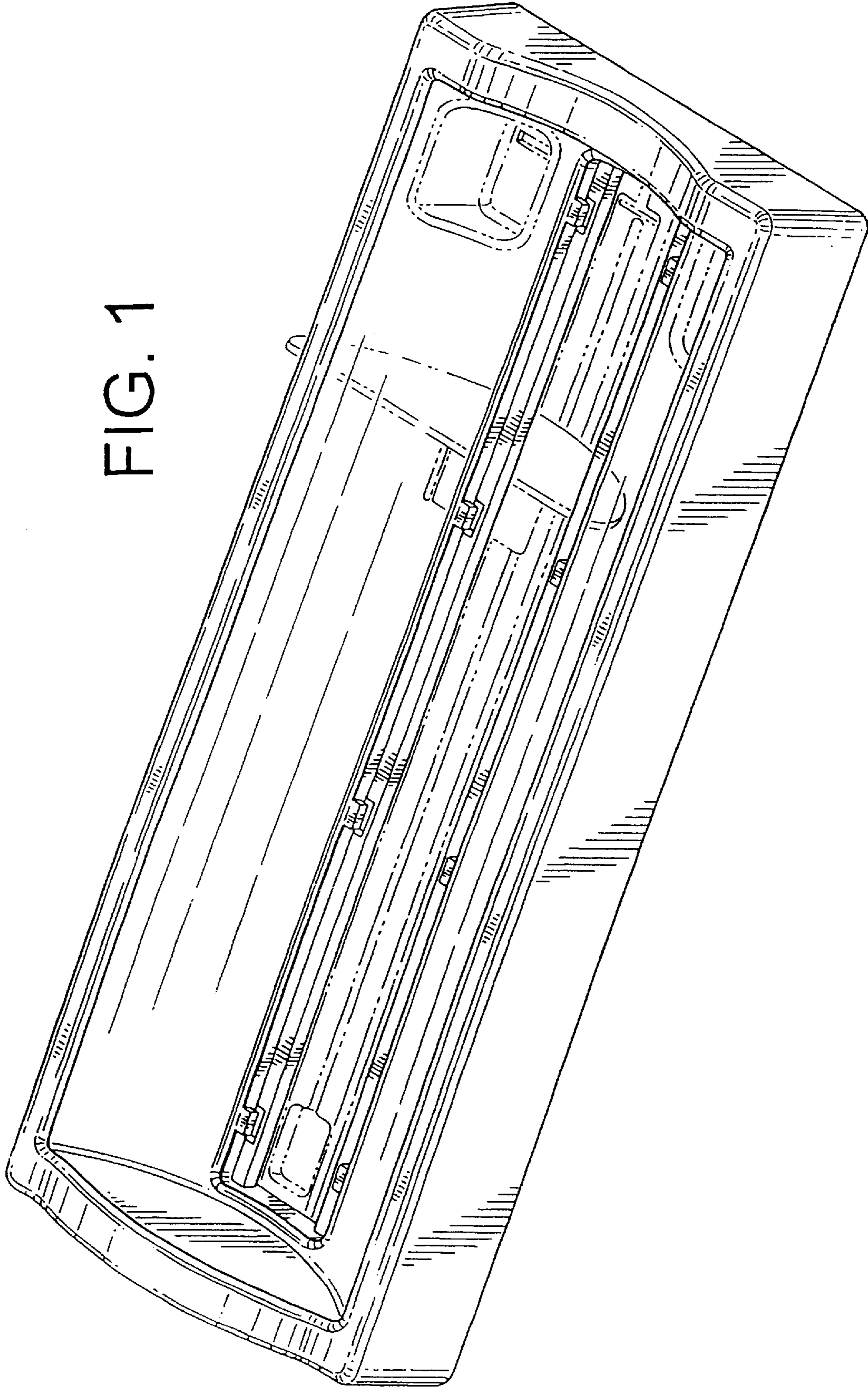


FIG. 2

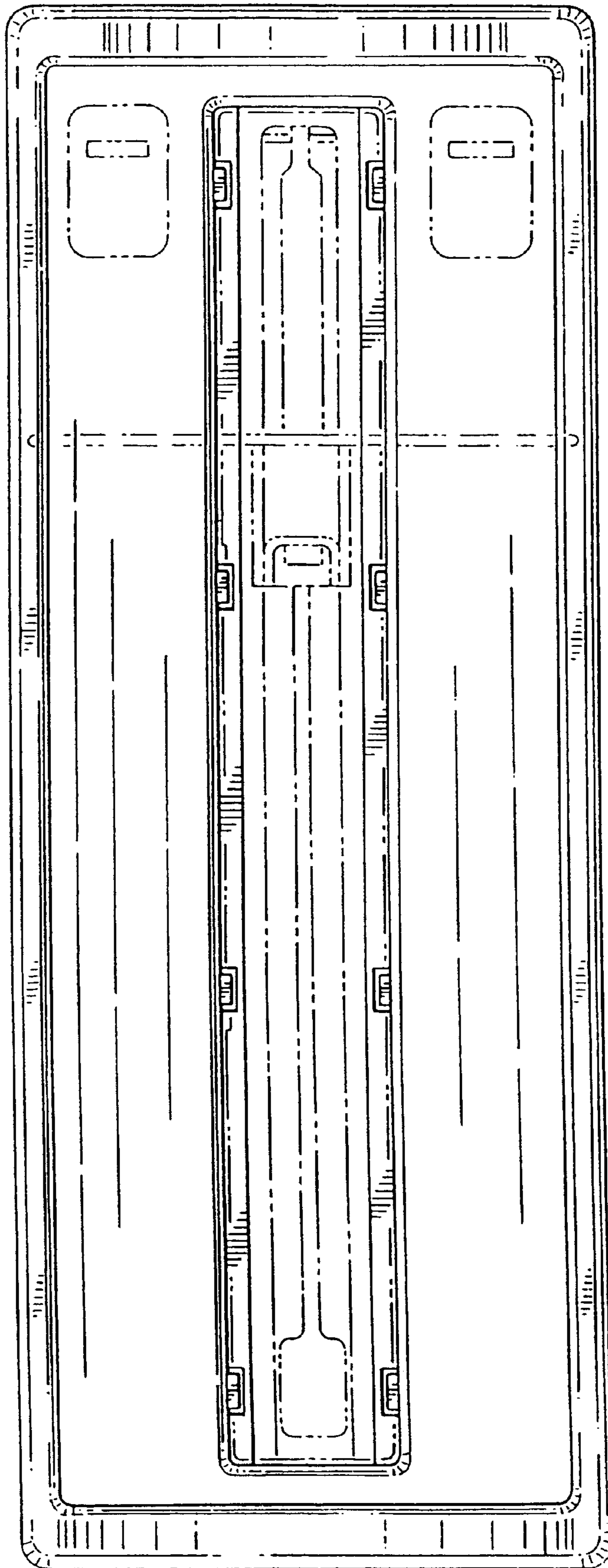


FIG. 3

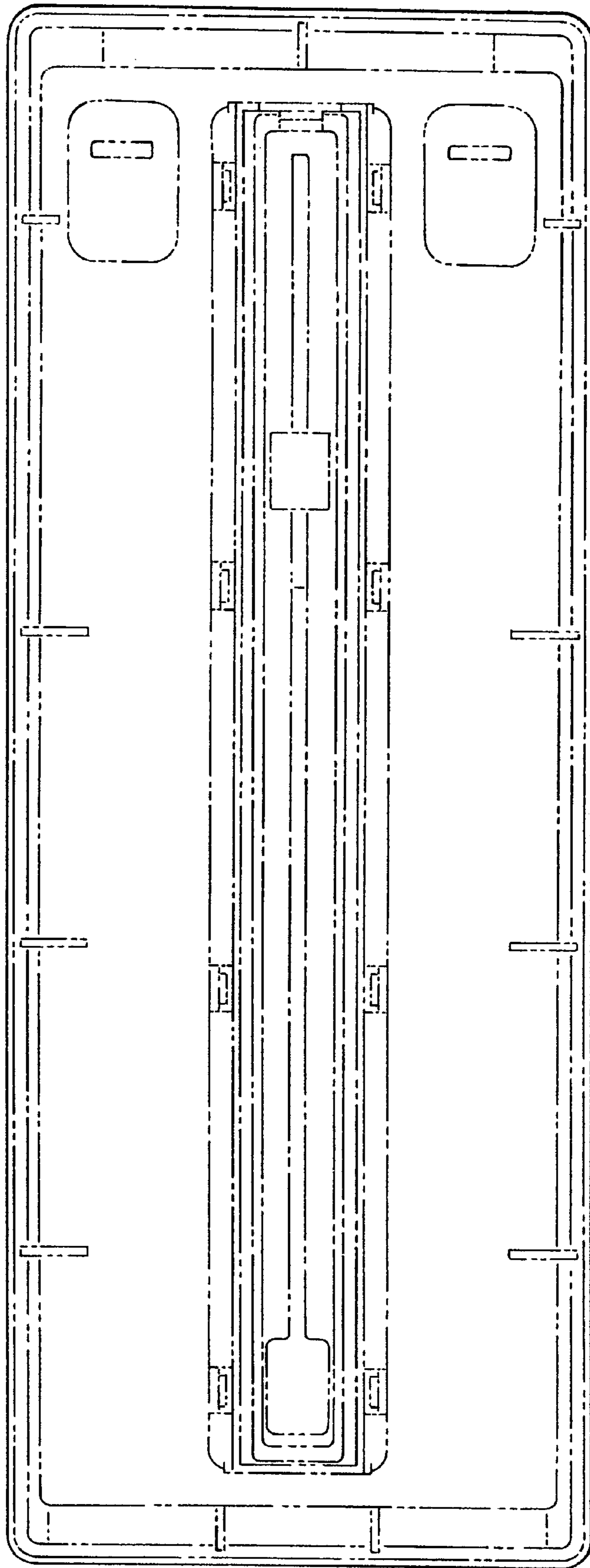


FIG. 4

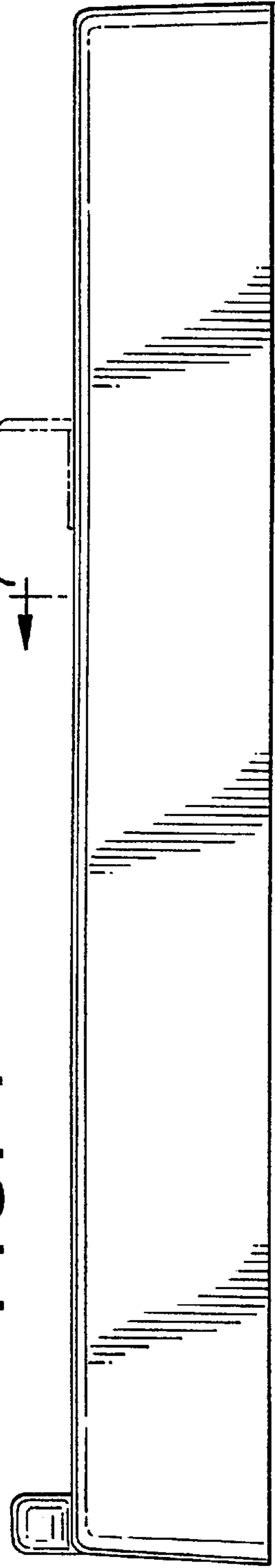


FIG. 5

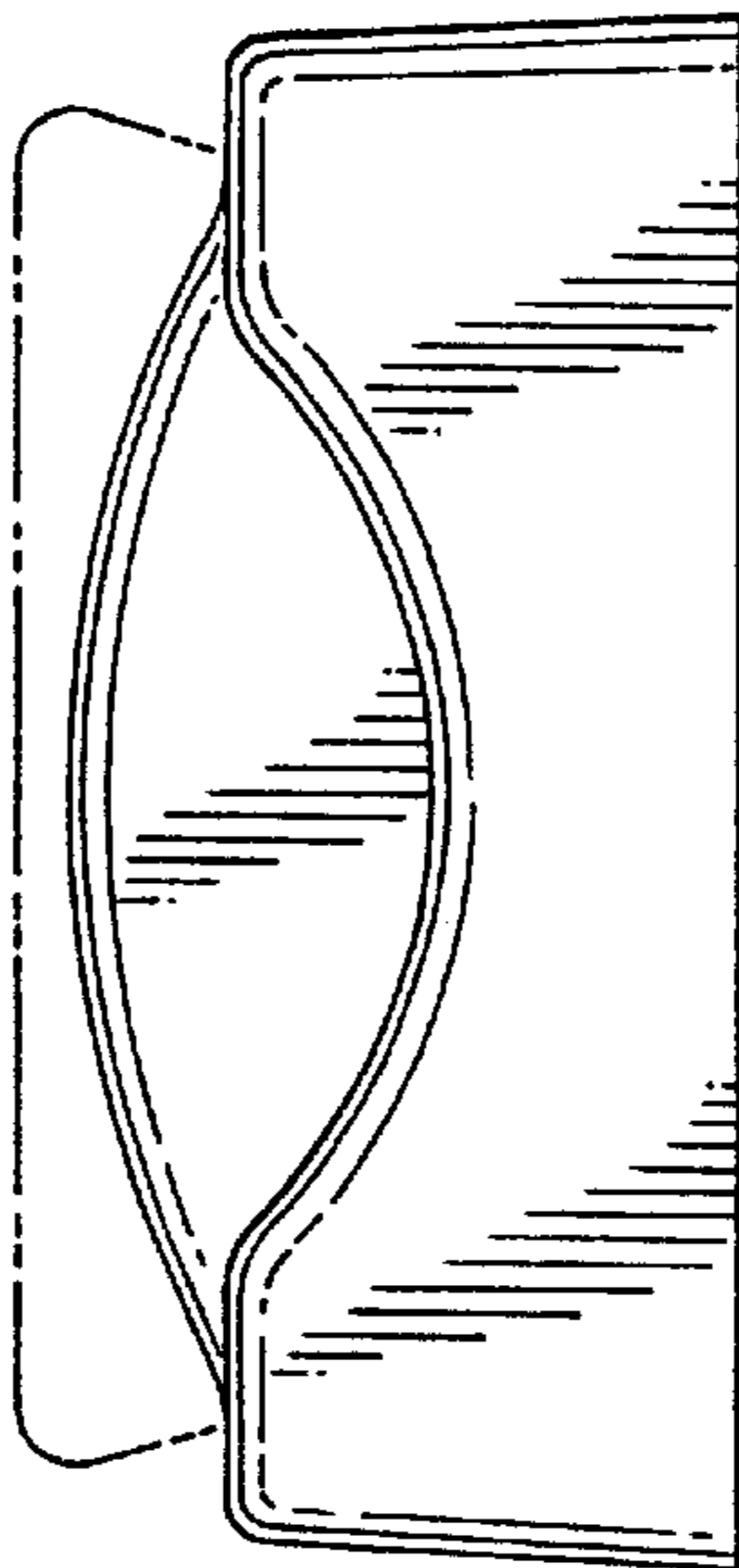


FIG. 6

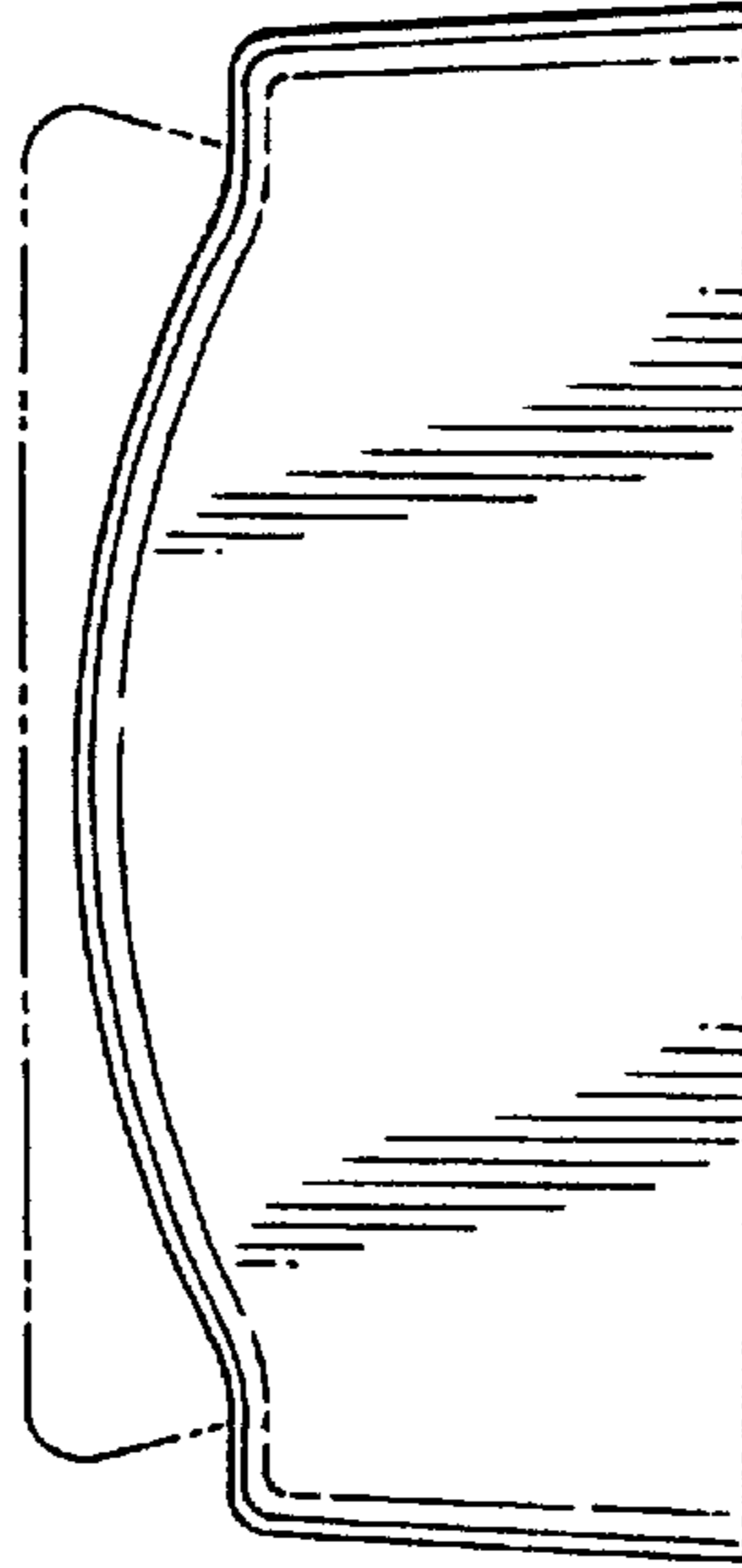


FIG. 7

