



US00D473130S

(12) **United States Design Patent**
Leung

(10) **Patent No.:** **US D473,130 S**

(45) **Date of Patent:** **** Apr. 15, 2003**

- (54) **CABLE CLAMP WITH GROUNDING CONNECTION**
- (75) Inventor: **Lee Shing Leung**, New Territories (HK)
- (73) Assignee: **Gloria Island Ltd.**, New Territories (HK)
- (**) Term: **14 Years**
- (21) Appl. No.: **29/147,298**
- (22) Filed: **Aug. 28, 2001**
- (51) **LOC (7) Cl.** **08-08**
- (52) **U.S. Cl.** **D8/396**
- (58) **Field of Search** D8/394-396, 354, D8/355; 248/49, 62, 63, 74.1-74.4, 316.6, 226.12, 227.3, 227.4, 231.61, 316.1; 24/339, 455, 483-485; D13/133, 154; 174/68.1, 78; 439/95, 100, 445, 574

- 5,616,036 A * 4/1997 Polidori 439/100
- D388,052 S * 12/1997 Lundback D13/133
- 5,725,185 A * 3/1998 Auclair 248/74.2
- 6,186,454 B1 * 2/2001 Olsen 248/74.1
- 6,367,751 B1 * 4/2002 Perrott 248/218.4
- 6,398,596 B1 * 6/2002 Malin 439/100

* cited by examiner

Primary Examiner—Louis S. Zarfaz

Assistant Examiner—Deanne Levy

(74) *Attorney, Agent, or Firm*—Leydig, Voit & Mayer, Ltd.

(57) **CLAIM**

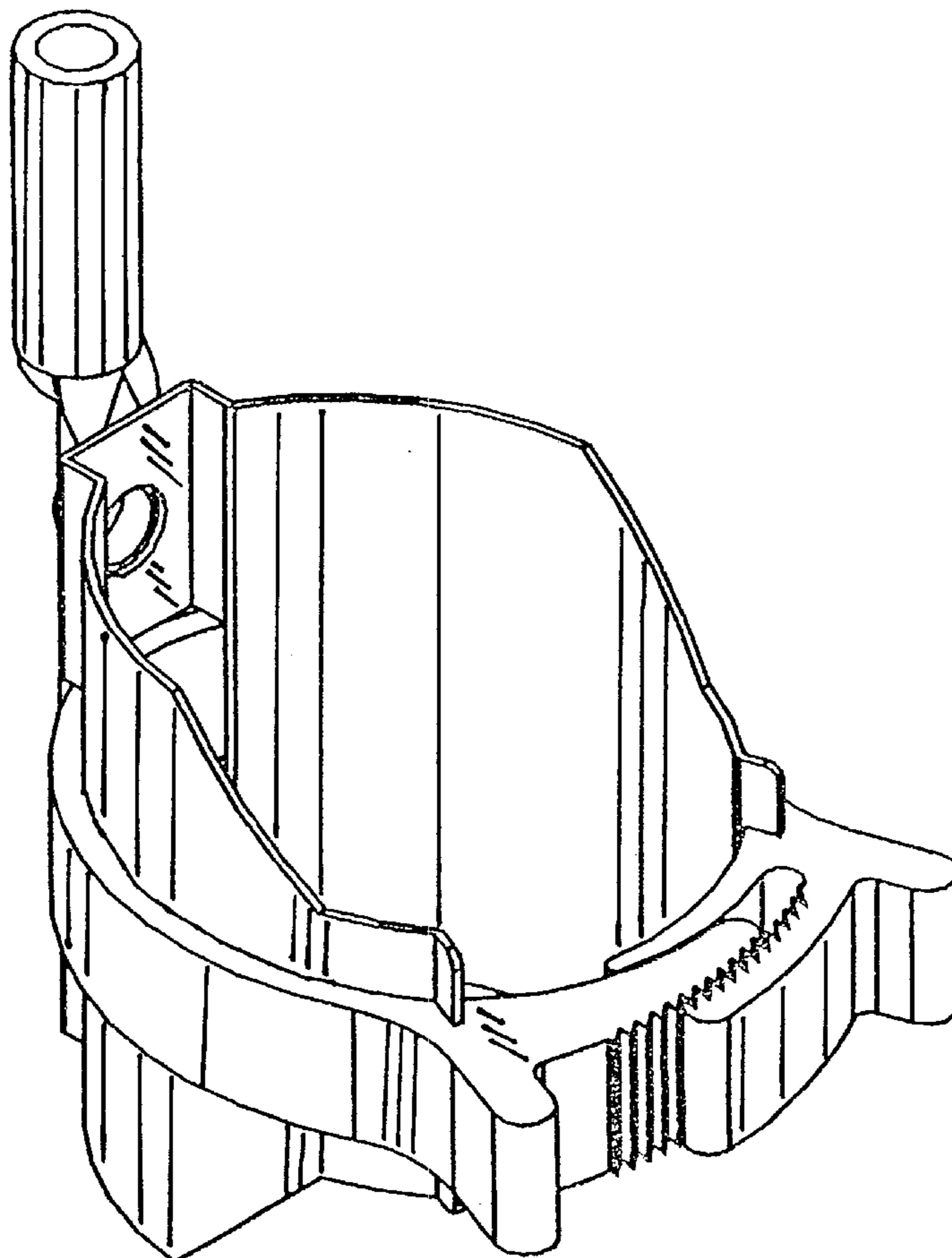
The ornamental design for a cable clamp with grounding connection, as shown and described.

DESCRIPTION

FIG. 1 is a front, left side and top perspective view of a cable clamp with grounding connection showing my new design; FIG. 2 is a left side elevational view thereof; FIG. 3 is a right side elevational view thereof; FIG. 4 is a front elevational view thereof; FIG. 5 is a rear elevational view thereof; FIG. 6 is a top plan view thereof; and, FIG. 7 is a bottom plan view thereof.

- (56) **References Cited**
- U.S. PATENT DOCUMENTS**
- 5,024,405 A * 6/1991 McGuire 248/74.1
- 5,281,761 A * 1/1994 Woo et al. 174/78

1 Claim, 4 Drawing Sheets



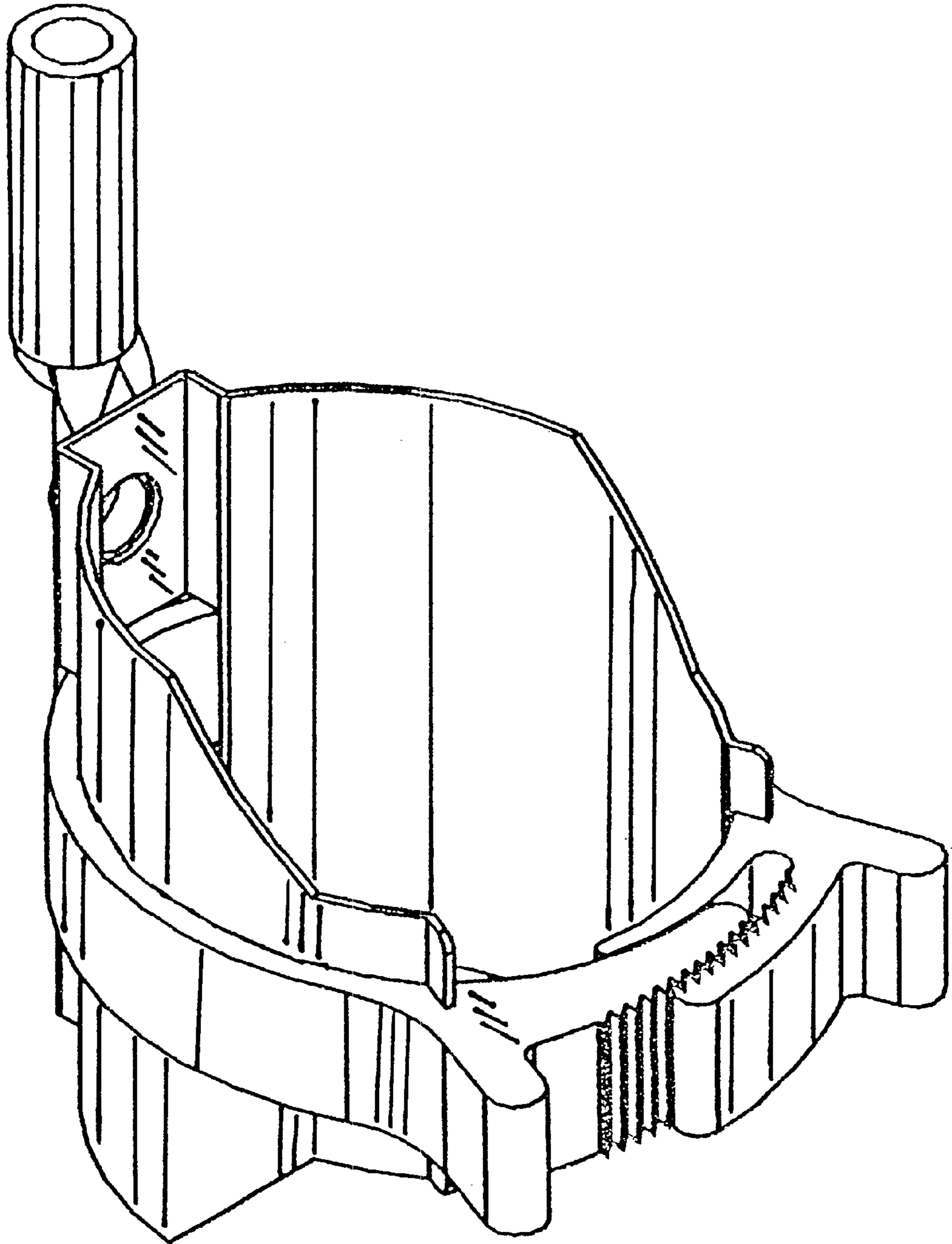


FIG. 1

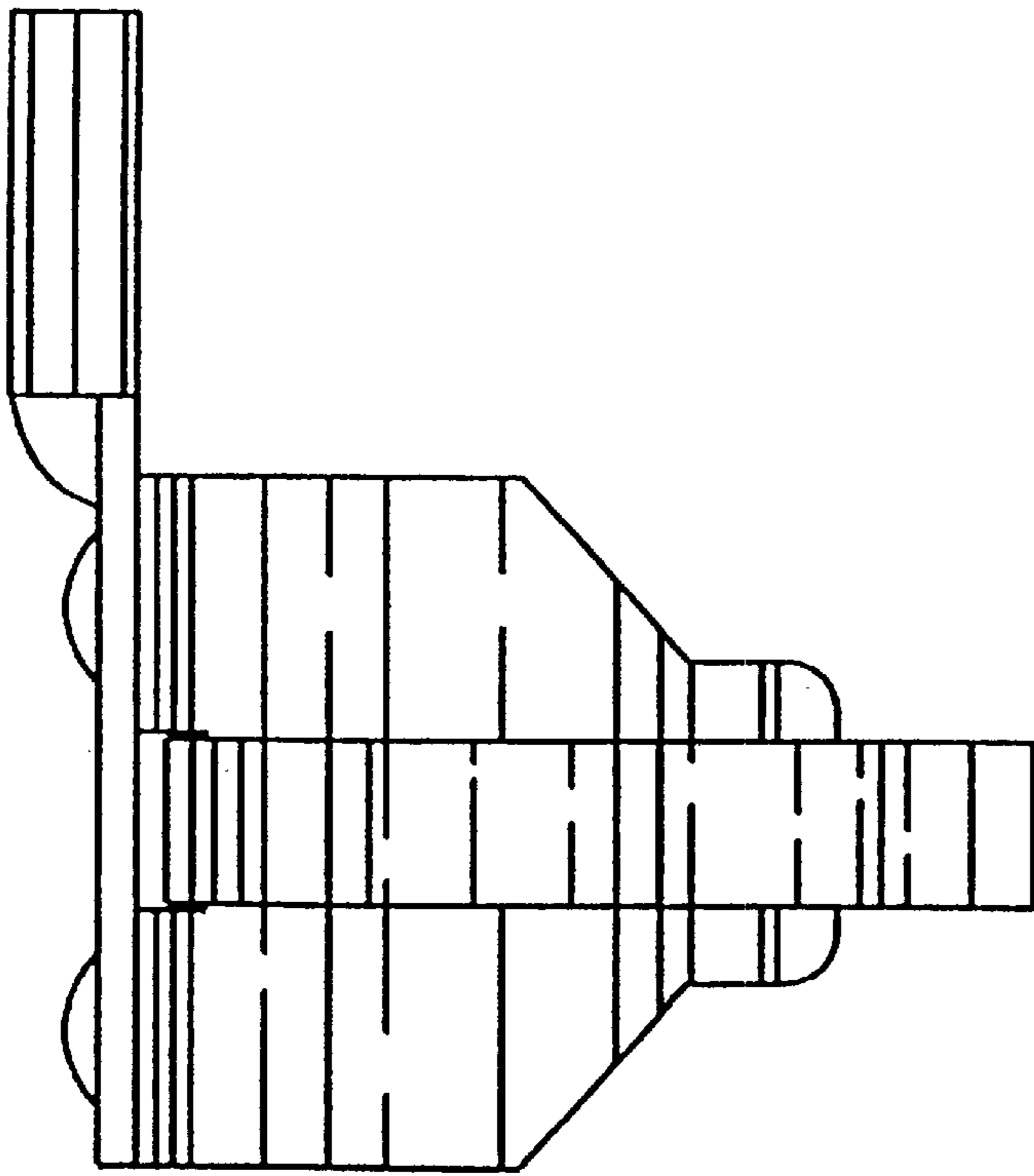


FIG. 2

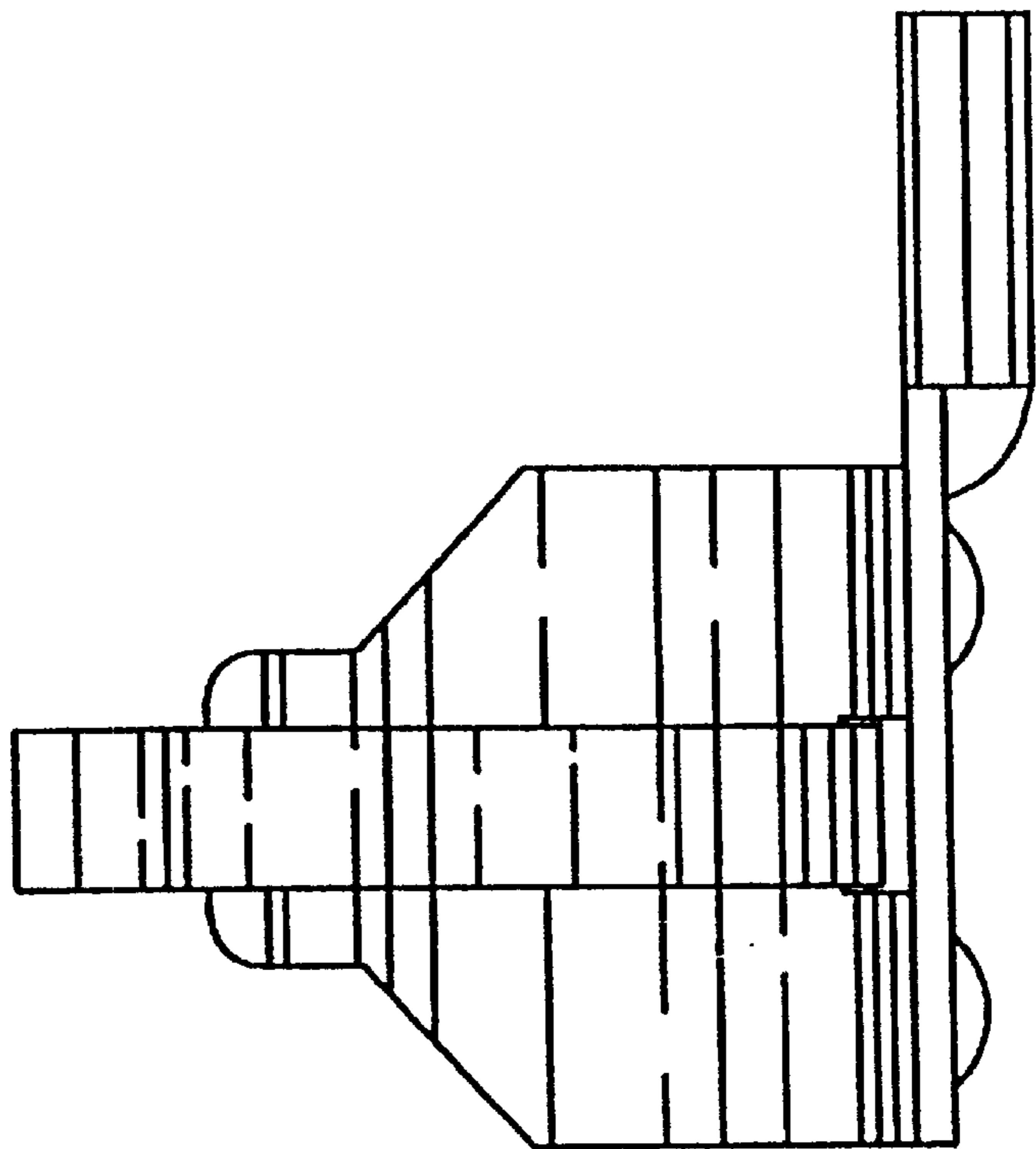


FIG. 3

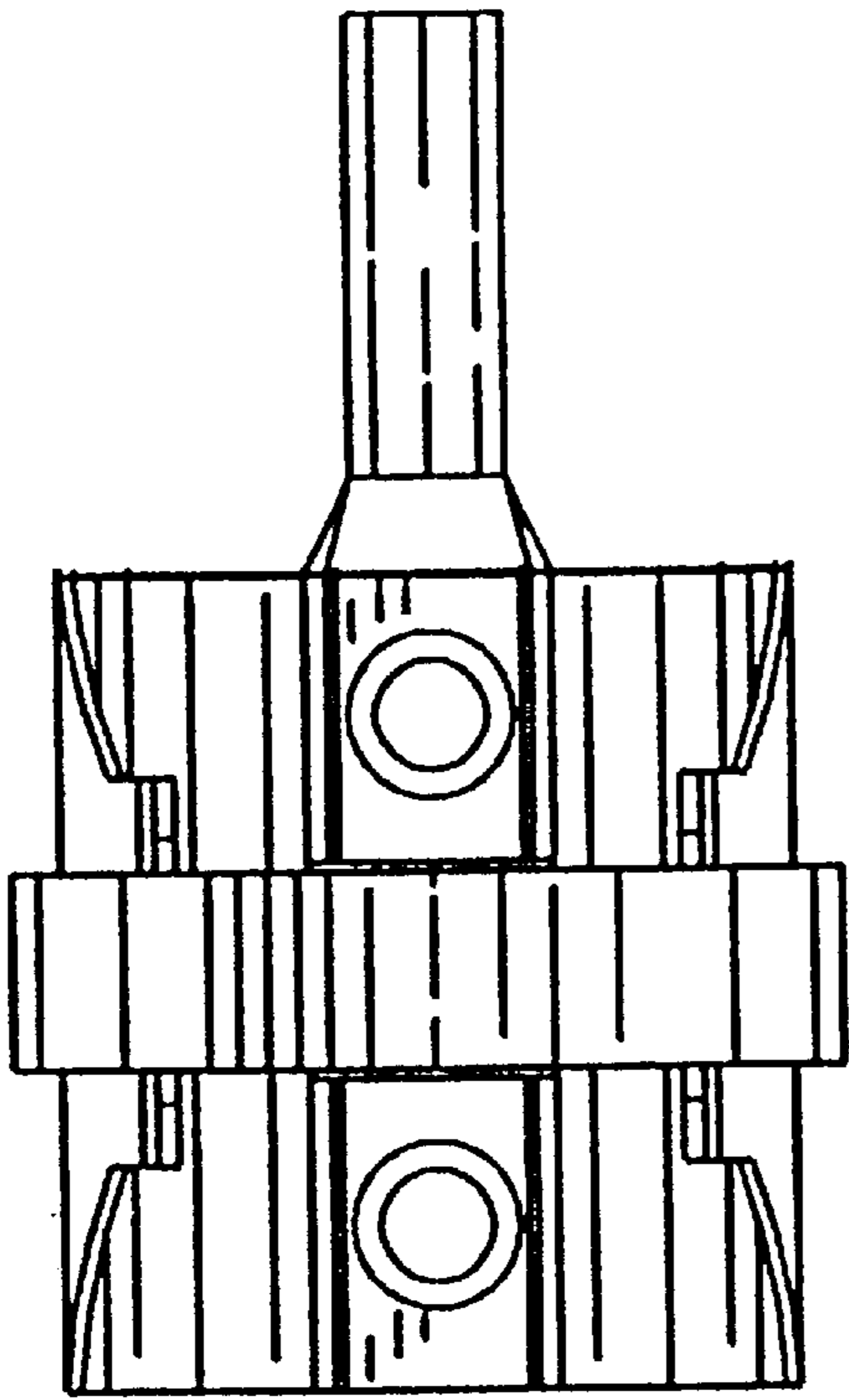


FIG. 4

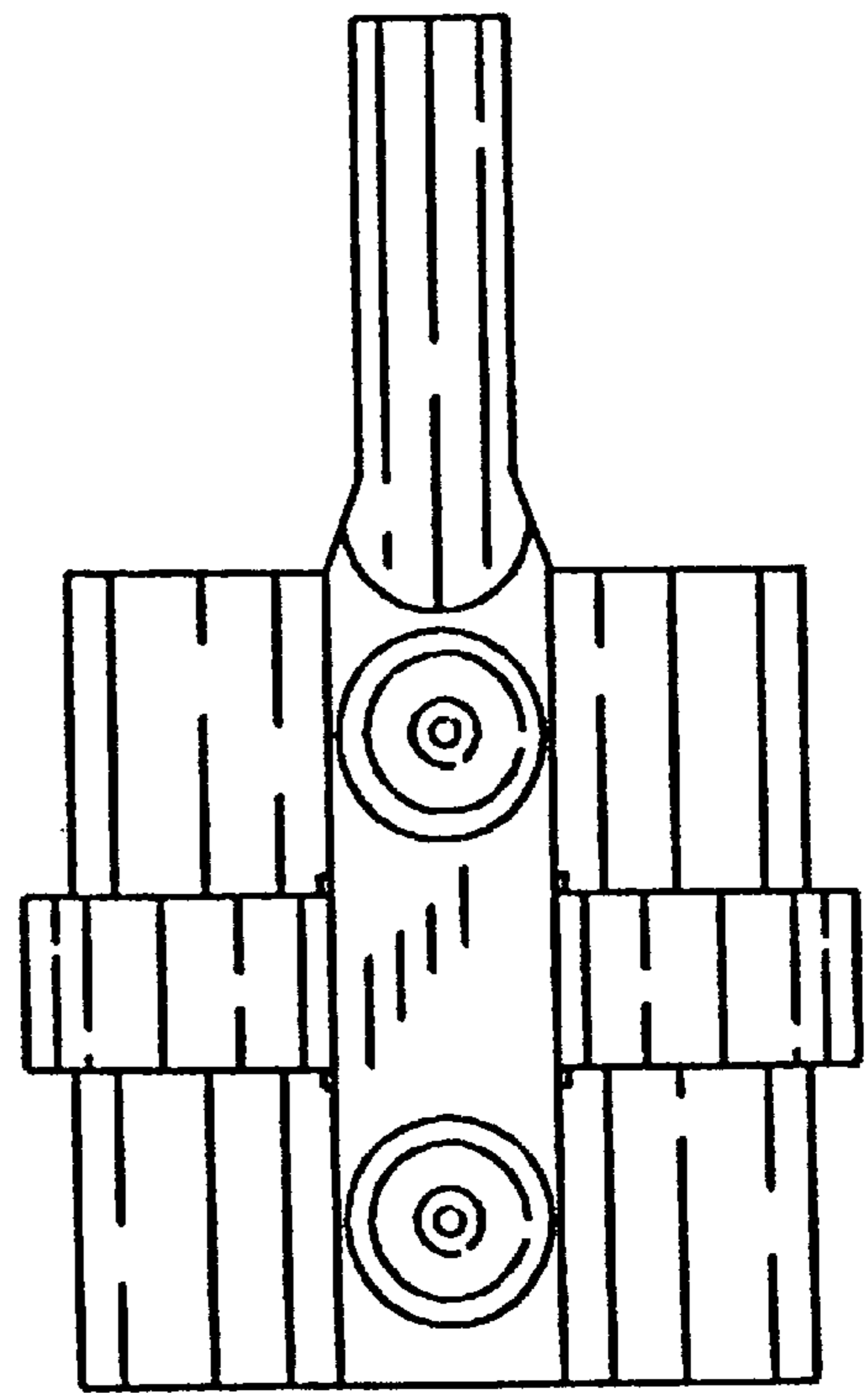


FIG. 5

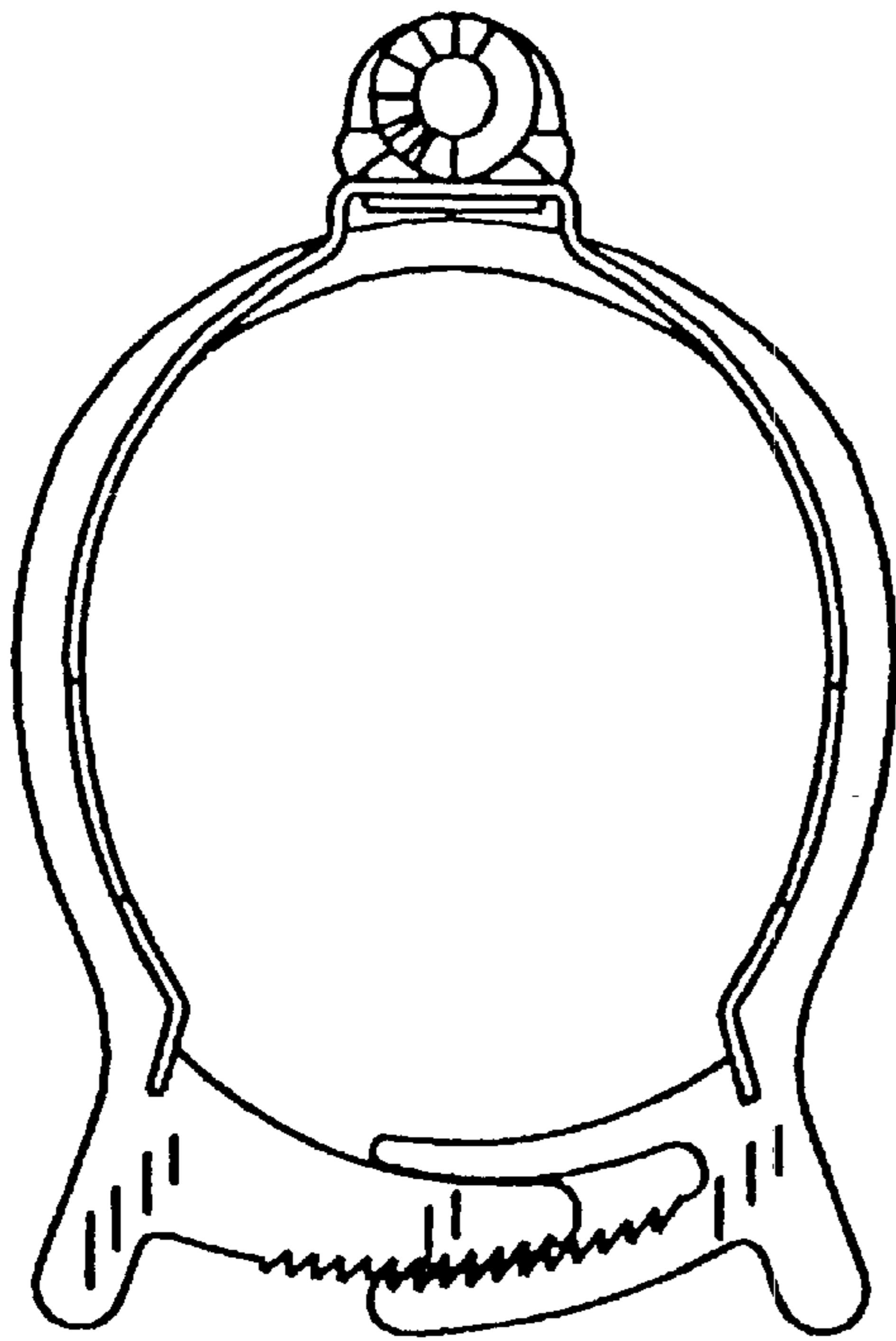


FIG. 6

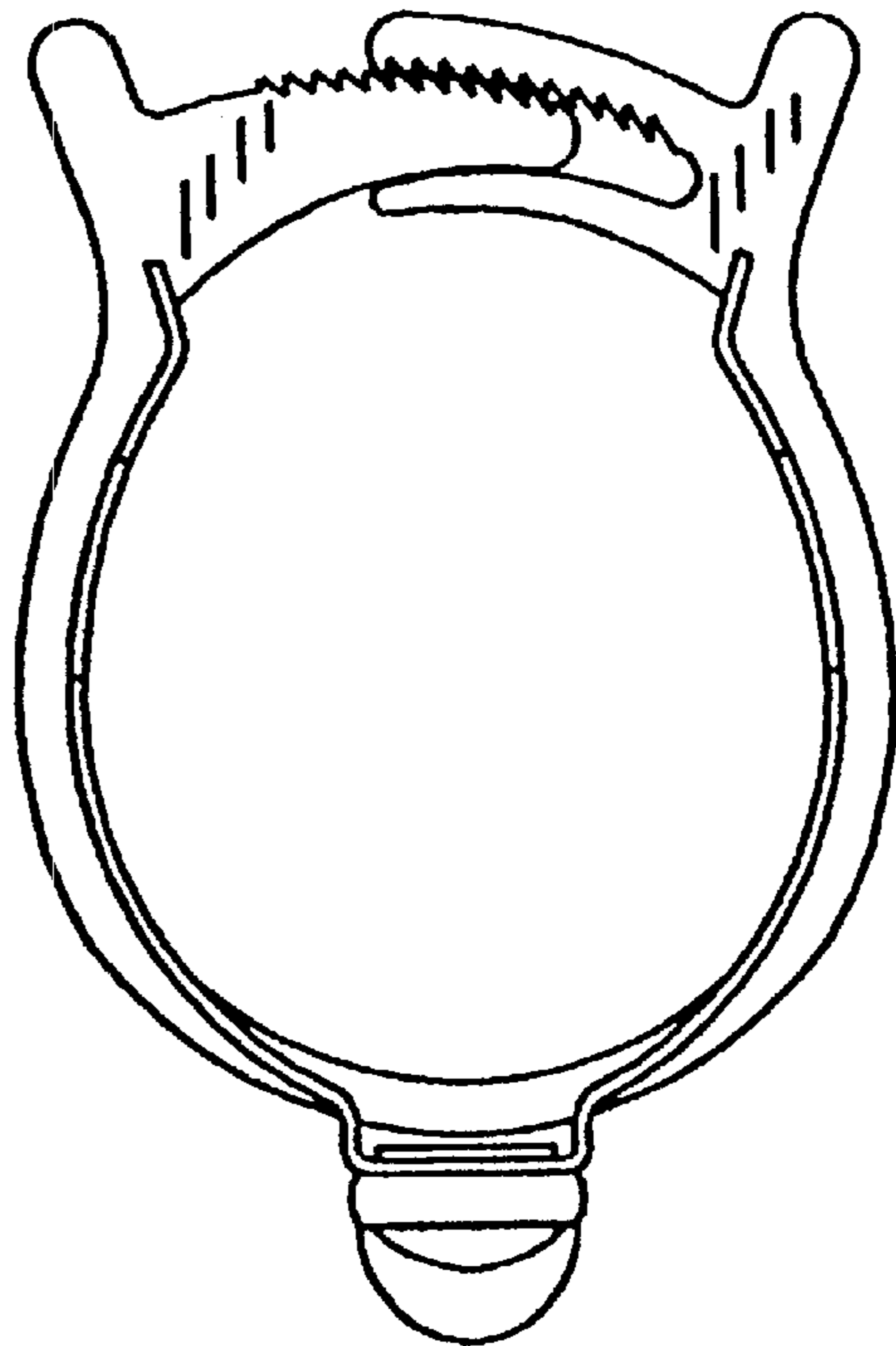


FIG. 7