



US00D473129S

(12) **United States Design Patent**
Warner et al.

(10) **Patent No.: US D473,129 S**
(45) **Date of Patent: ** Apr. 15, 2003**

(54) **BRACKET WITH LATCH FOR COUPLING A GLOBAL POSITIONING SYSTEM RELATED DEVICE TO A POLE**

(75) Inventors: **Jask S. Warner**, San Jose, CA (US);
Jason C. Chamberlain, San Jose, CA (US)

(73) Assignee: **Trimble Navigation Limited**, Sunnyvale, CA (US)

(**) Term: **14 Years**

(21) Appl. No.: **29/142,806**

(22) Filed: **Jun. 1, 2001**

(51) **LOC (7) Cl. 08-08**

(52) **U.S. Cl. D8/396**

(58) **Field of Search** D8/394-396, 349,
D8/354, 355, 373; D6/418; 24/455, 457,
484, 485; 248/200, 205.1, 207, 214, 218.4,
219.3, 534, 541, 689

(56) **References Cited**

U.S. PATENT DOCUMENTS

4,832,299	A	*	5/1989	Gorton et al.	248/231.71
D312,040	S	*	11/1990	Johnson, Jr.	D8/373
D363,936	S	*	11/1995	Nysether et al.	D14/238
D376,974	S	*	12/1996	Chen	D8/396
5,632,461	A	*	5/1997	von Helms et al.	248/218.4
D415,017	S	*	10/1999	Lo	D8/396
6,262,691	B1	*	7/2001	Austin et al.	343/890
D464,250	S	*	10/2002	Warner et al.	D8/349

* cited by examiner

Primary Examiner—Louis S. Zarfaz

Assistant Examiner—Deanne Levy

(74) *Attorney, Agent, or Firm*—Wagner, Murabito & Hao LLP

(57) **CLAIM**

The ornamental design for a bracket with latch for coupling a global positioning system related device to a pole, as shown.

DESCRIPTION

FIG. 1 is an upper left front perspective view of the bracket with latch for coupling a global positioning system related device to a pole comprising the present invention in the open condition;

FIG. 2 is a lower right rear perspective view thereof in the open condition;

FIG. 3 is a front elevational view thereof in the open condition;

FIG. 4 is a right side elevational view thereof in the open condition;

FIG. 5 is a rear elevational view thereof in the open condition;

FIG. 6 is a left side elevational view thereof in the open condition;

FIG. 7 is a top plan view thereof in the open condition;

FIG. 8 is a bottom plan view thereof in the open condition;

FIG. 9 is an upper left front perspective view thereof in the closed condition;

FIG. 10 is a lower right rear perspective view thereof in the closed condition;

FIG. 11 is a front elevational view thereof in the closed condition;

FIG. 12 is a right side elevational view thereof in the closed condition;

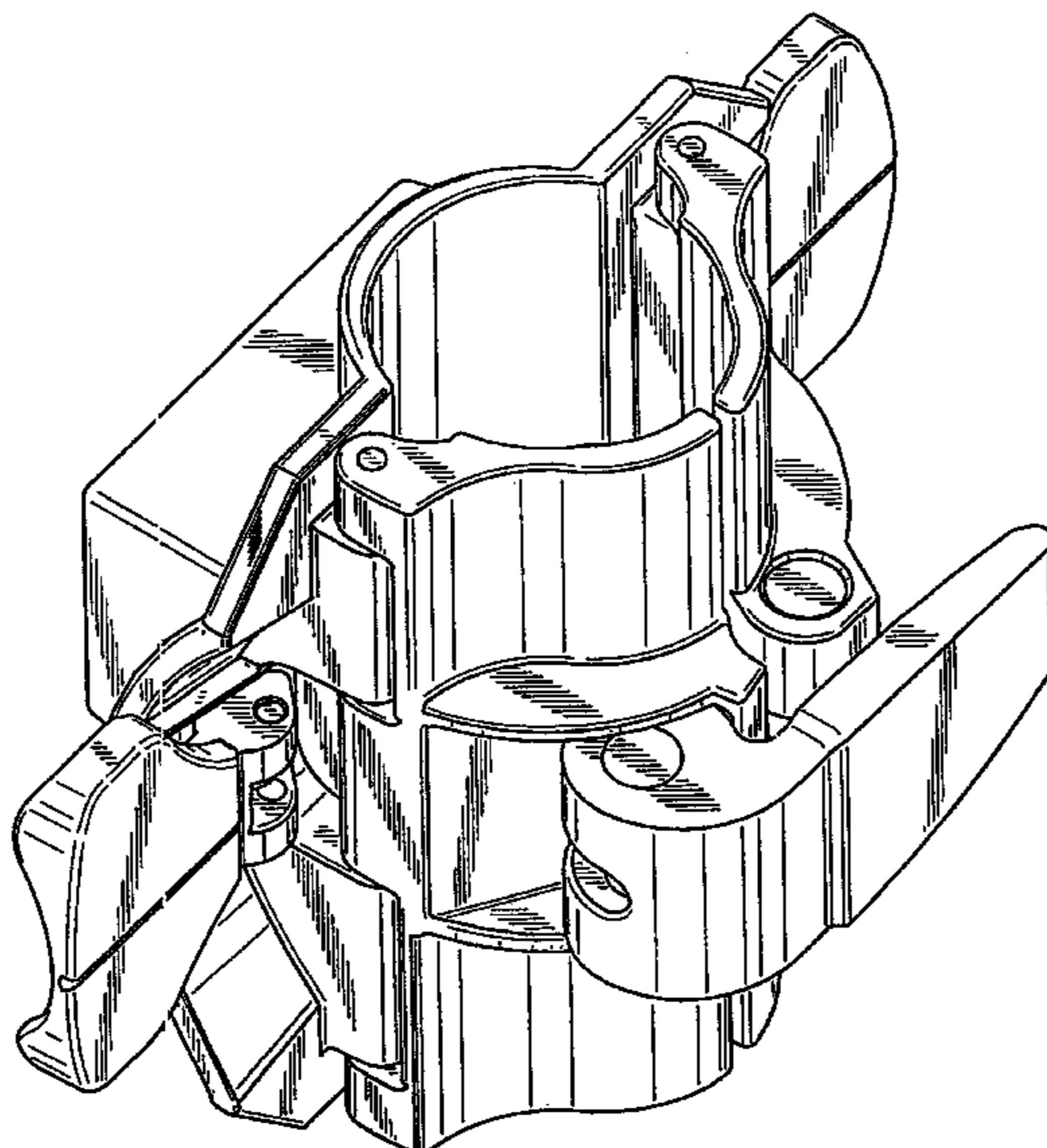
FIG. 13 is a rear elevational view thereof in the closed condition;

FIG. 14 is a left side elevational view thereof in the closed condition;

FIG. 15 is a top plan view thereof in the closed condition; and,

FIG. 16 is a bottom plan view thereof in the closed condition.

1 Claim, 13 Drawing Sheets



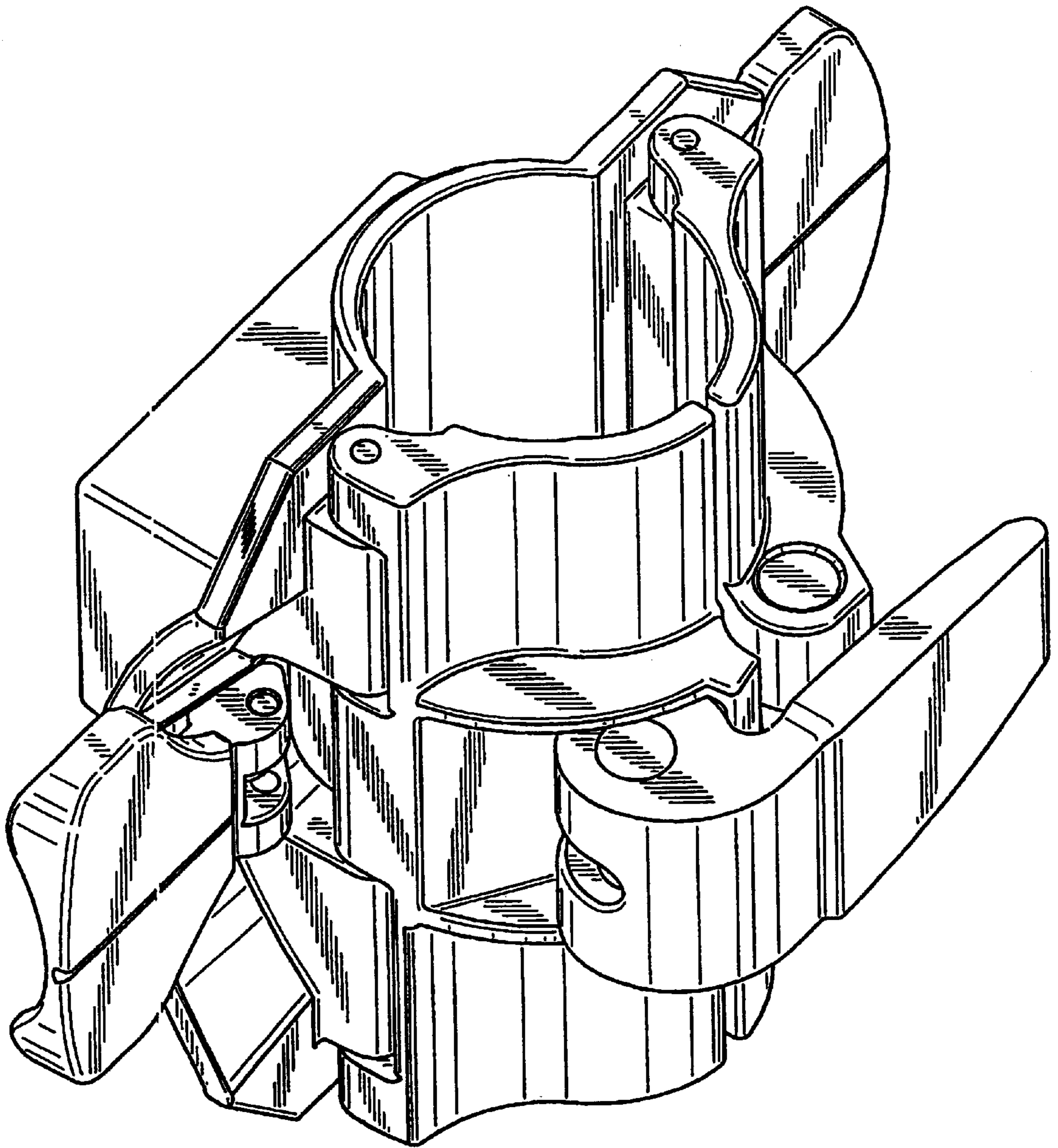


FIG. 1

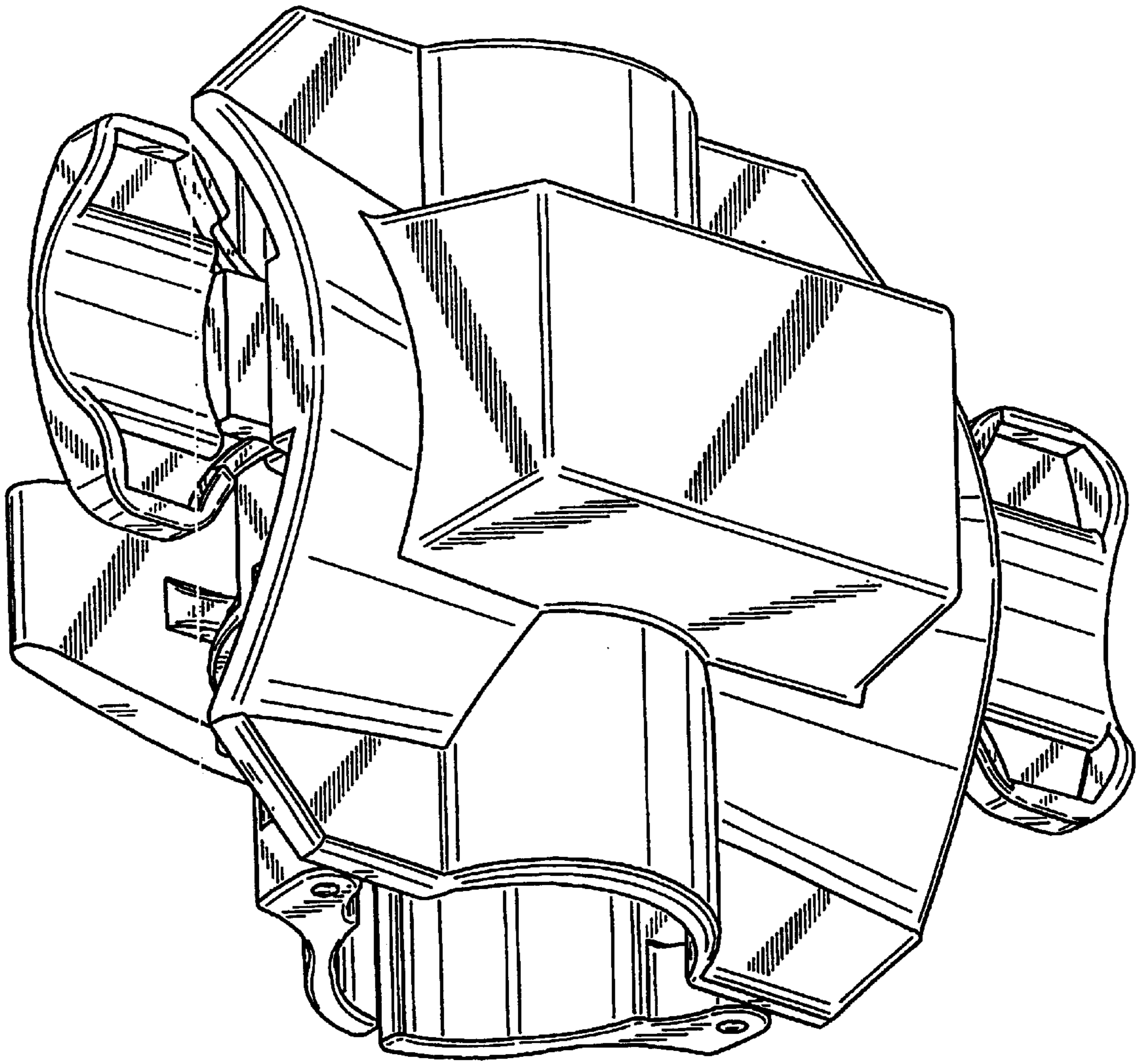


FIG. 2

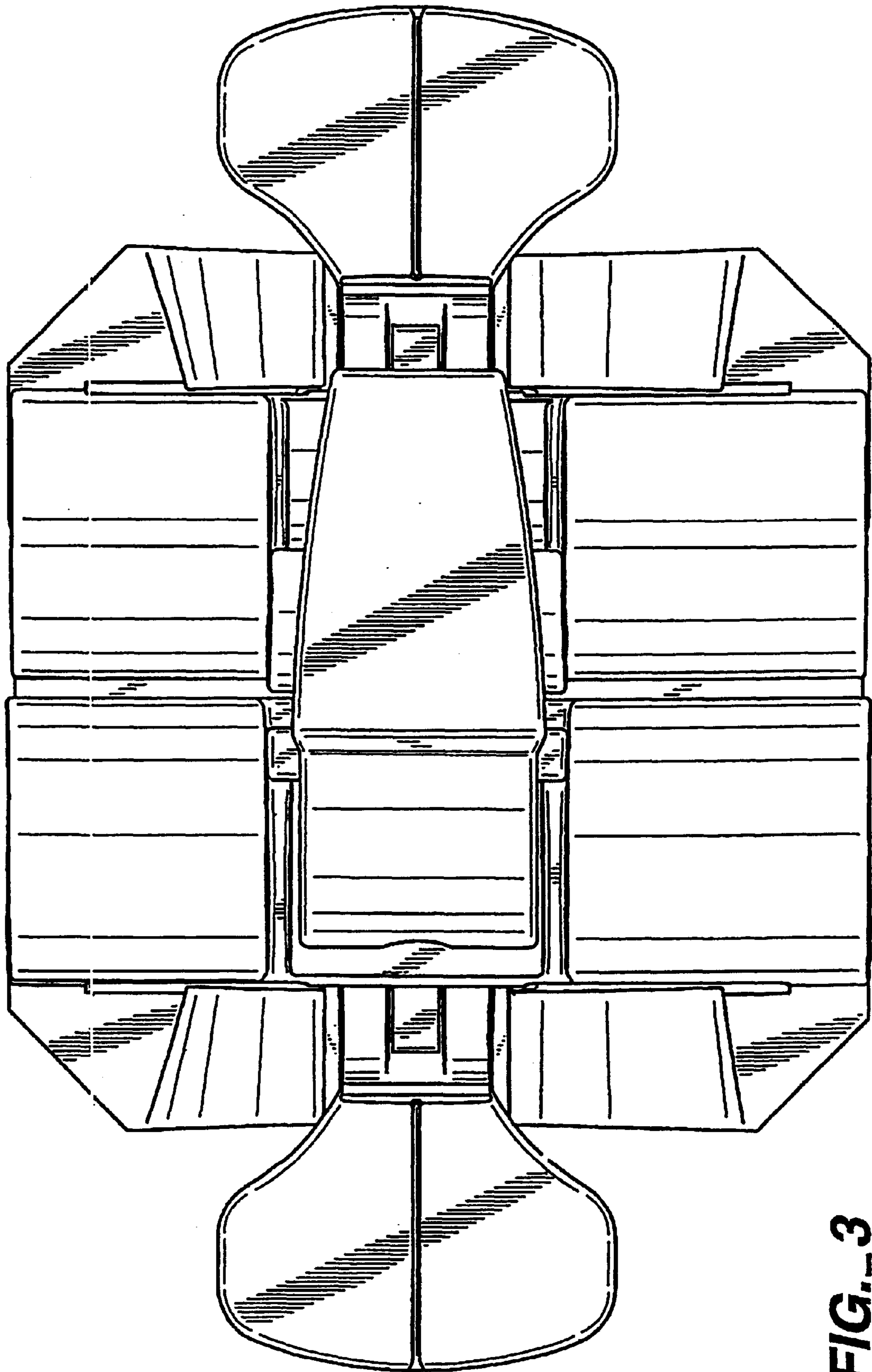


FIG. 3

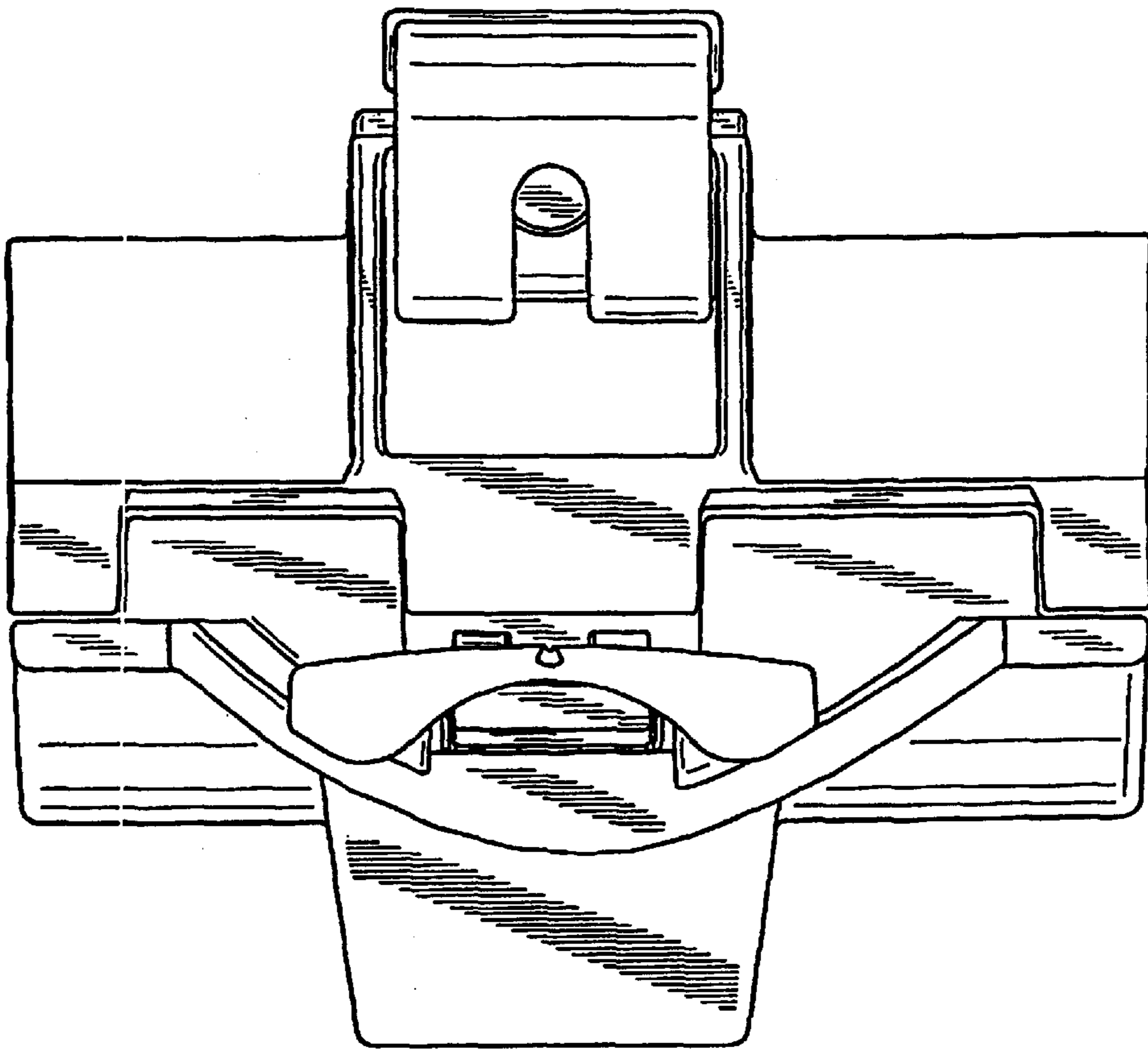


FIG. 6

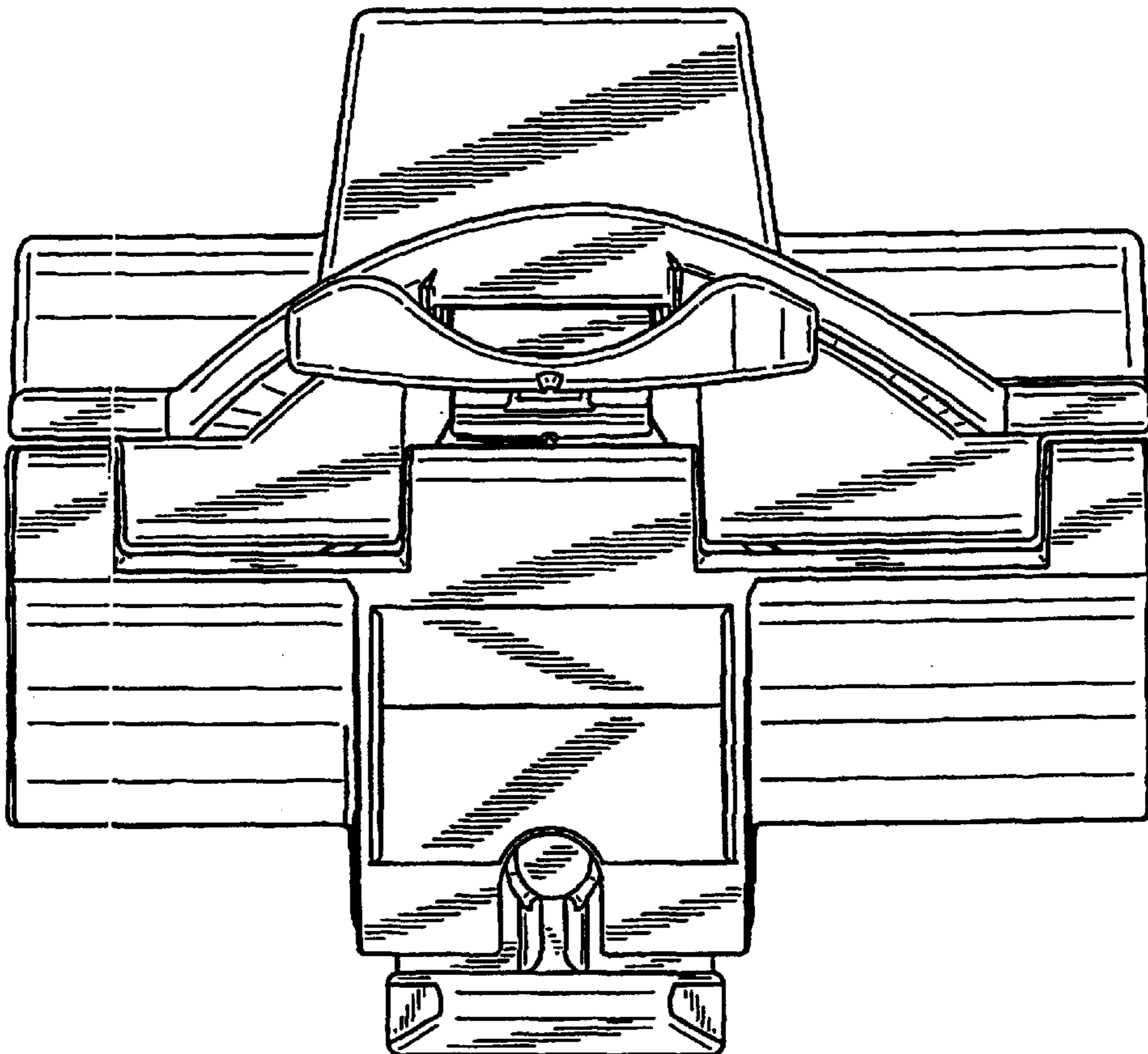


FIG. 4

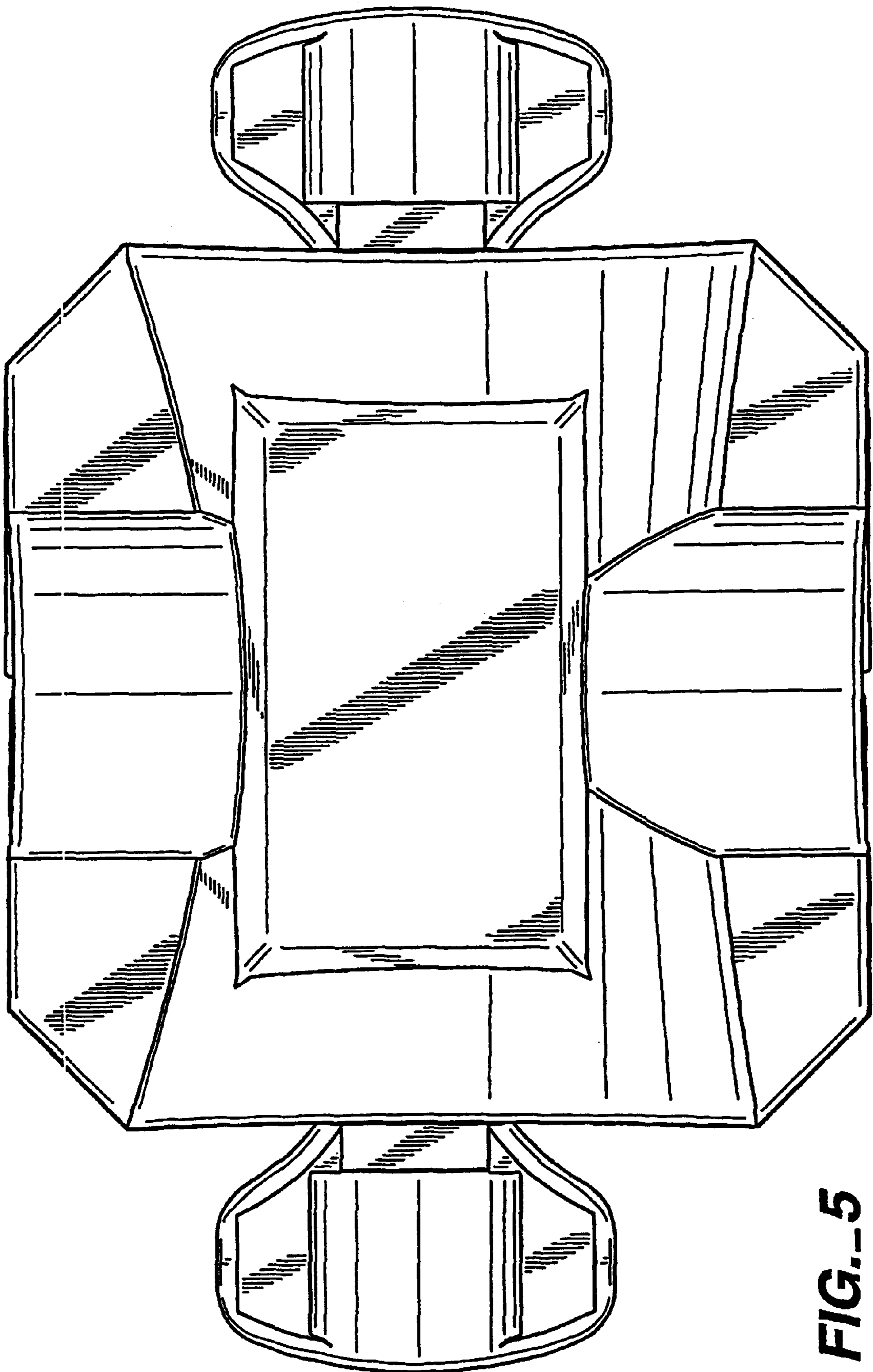


FIG.-5

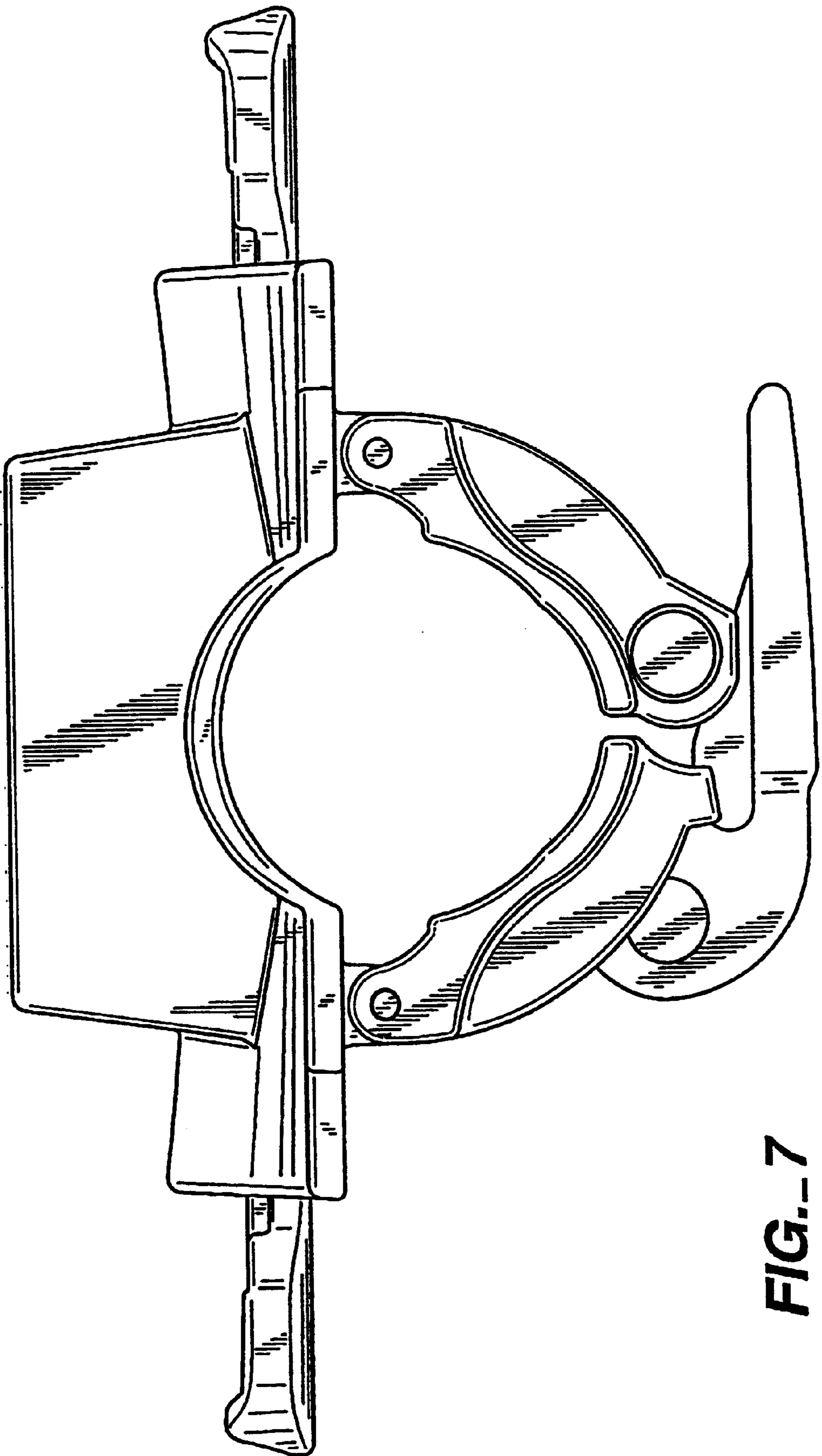


FIG. 7

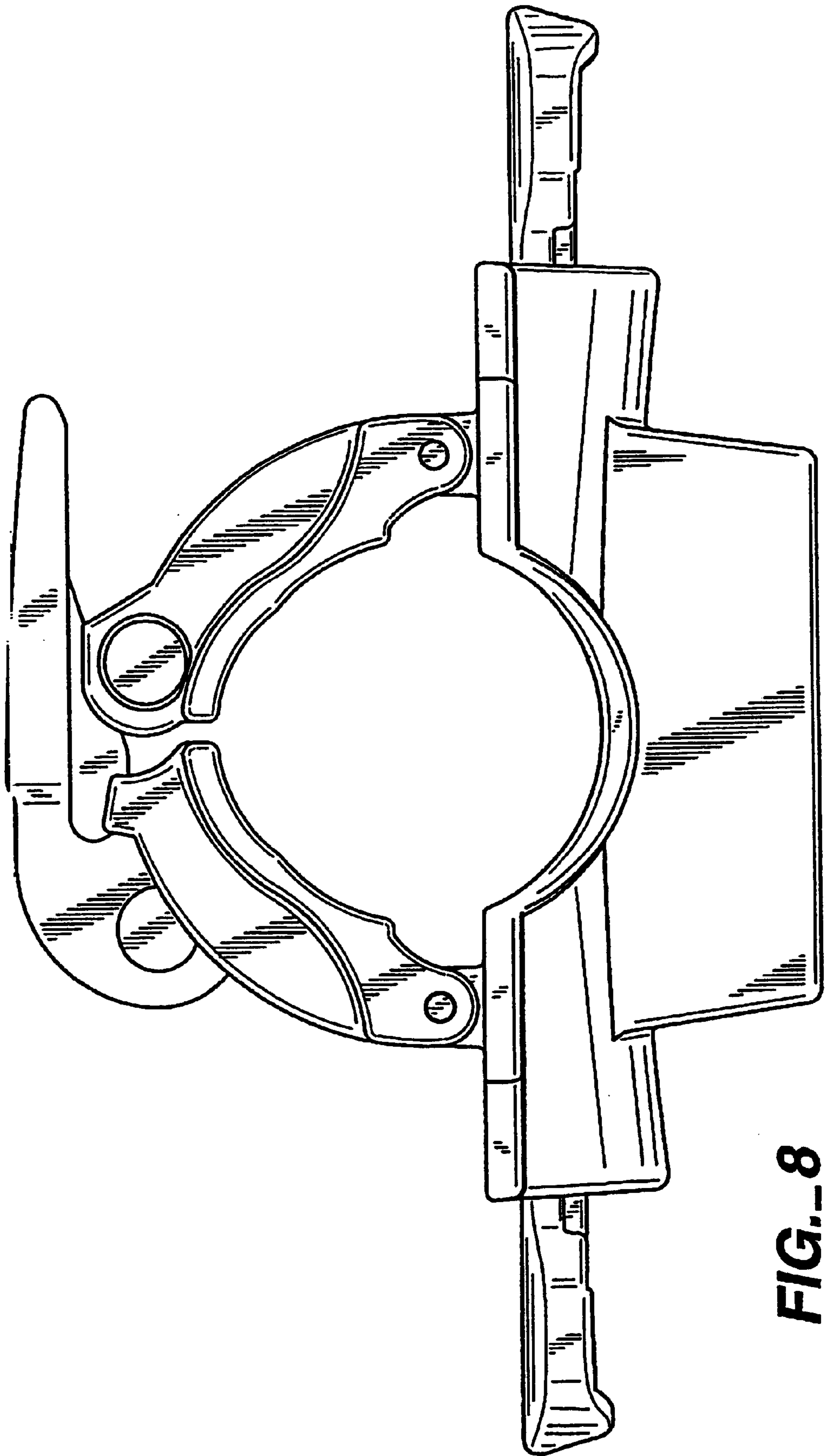


FIG. 8

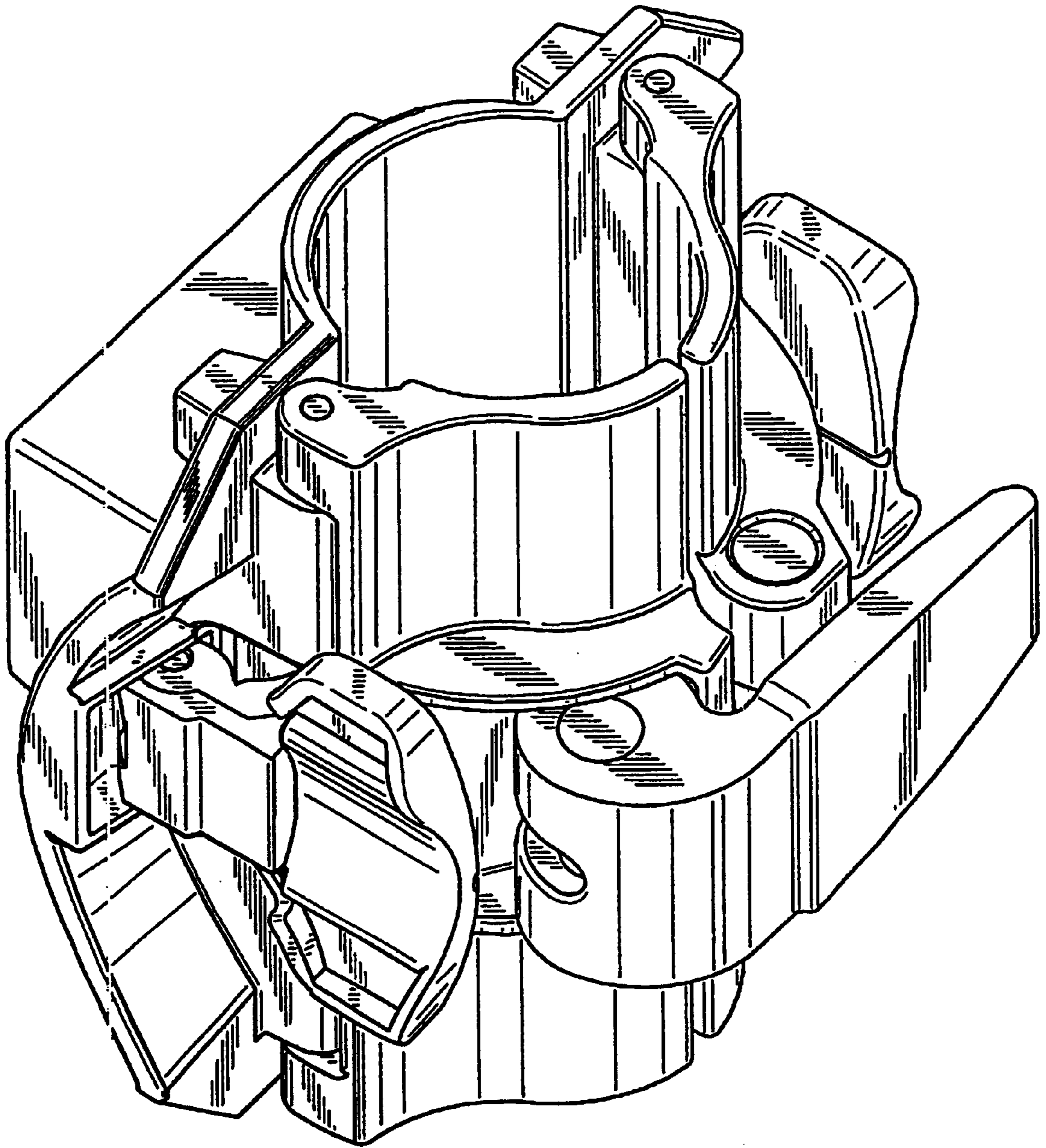


FIG. 9

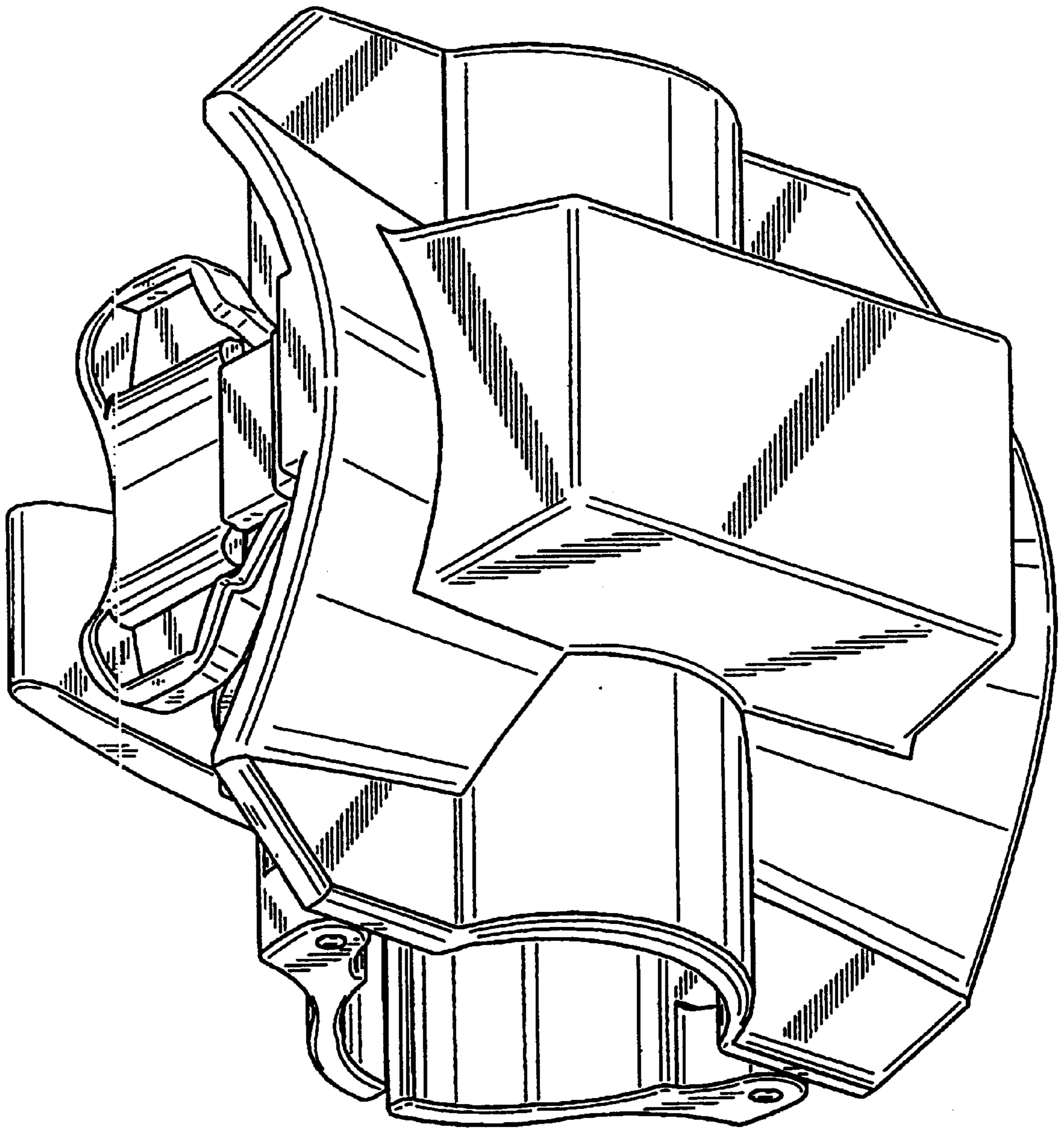


FIG. 10

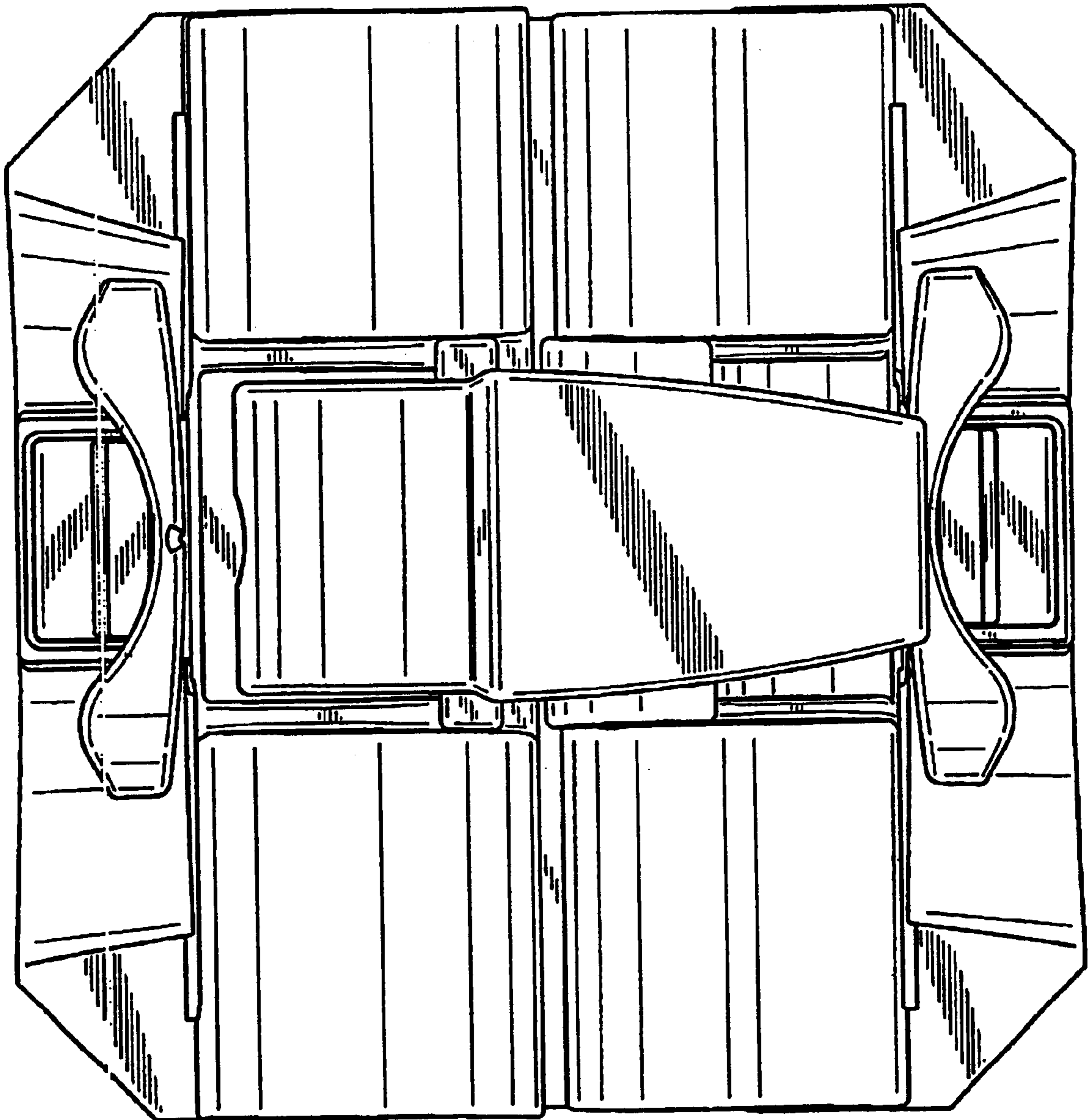


FIG. 11

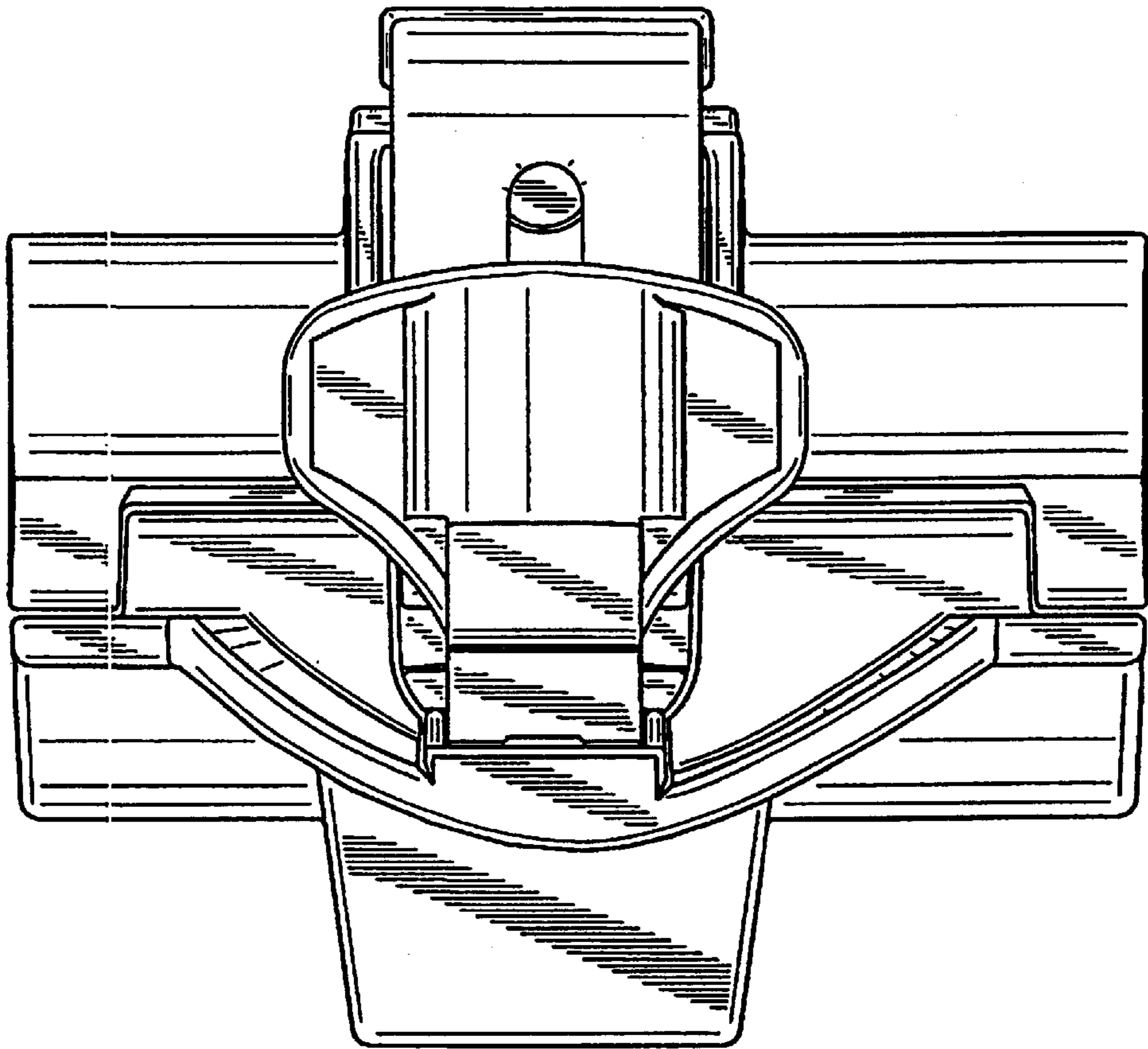


FIG. 14

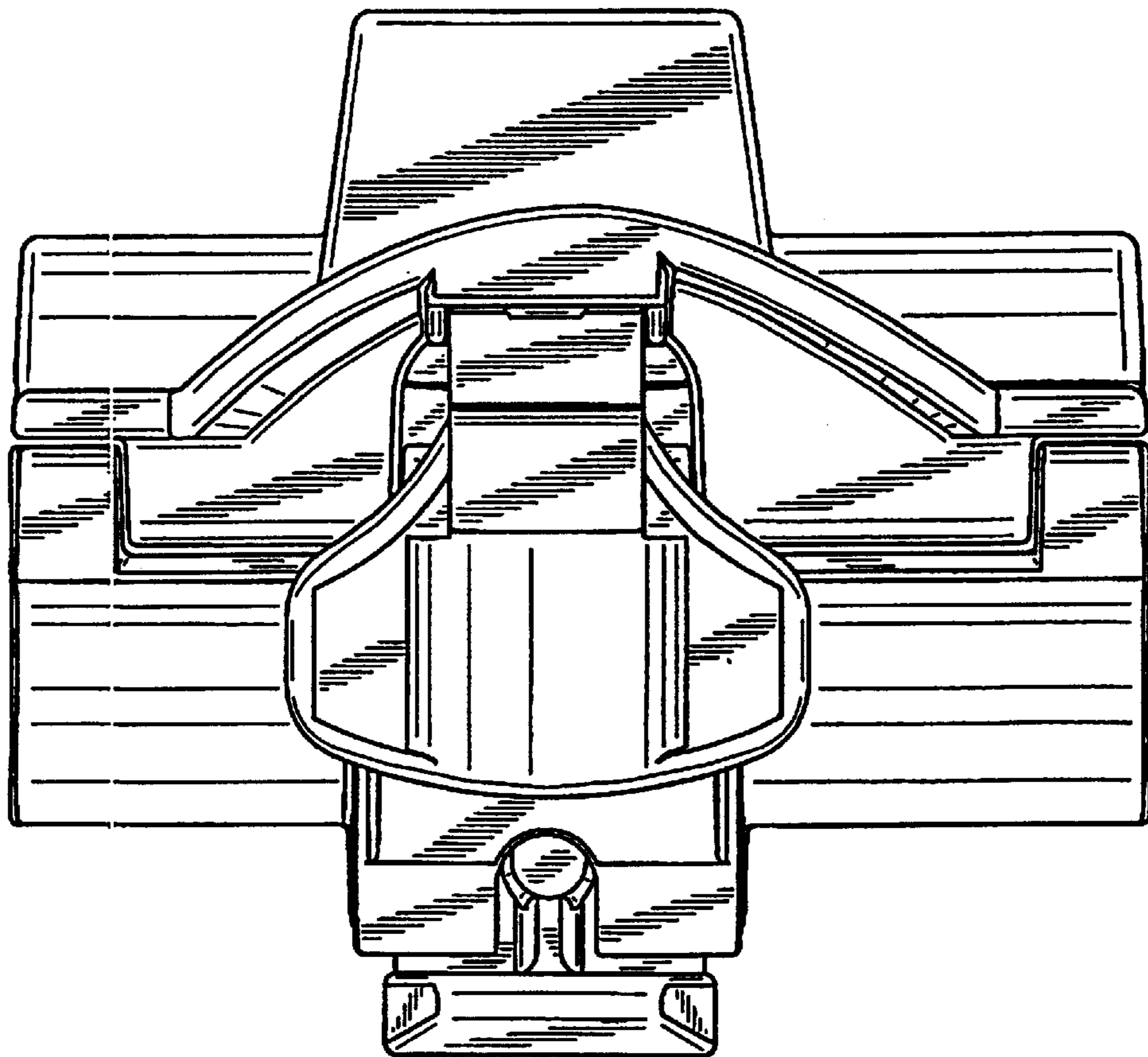


FIG. 12

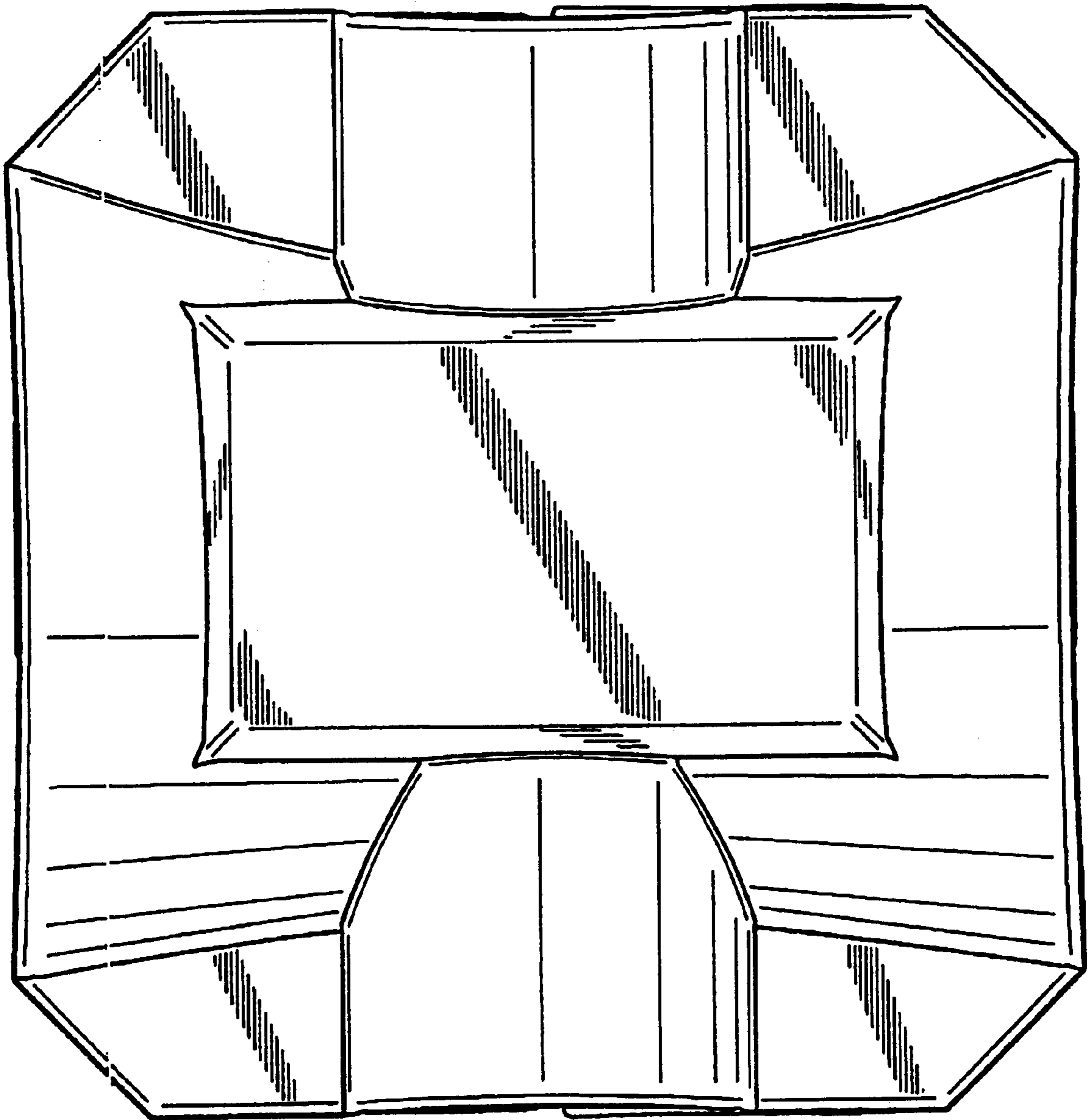


FIG. 13

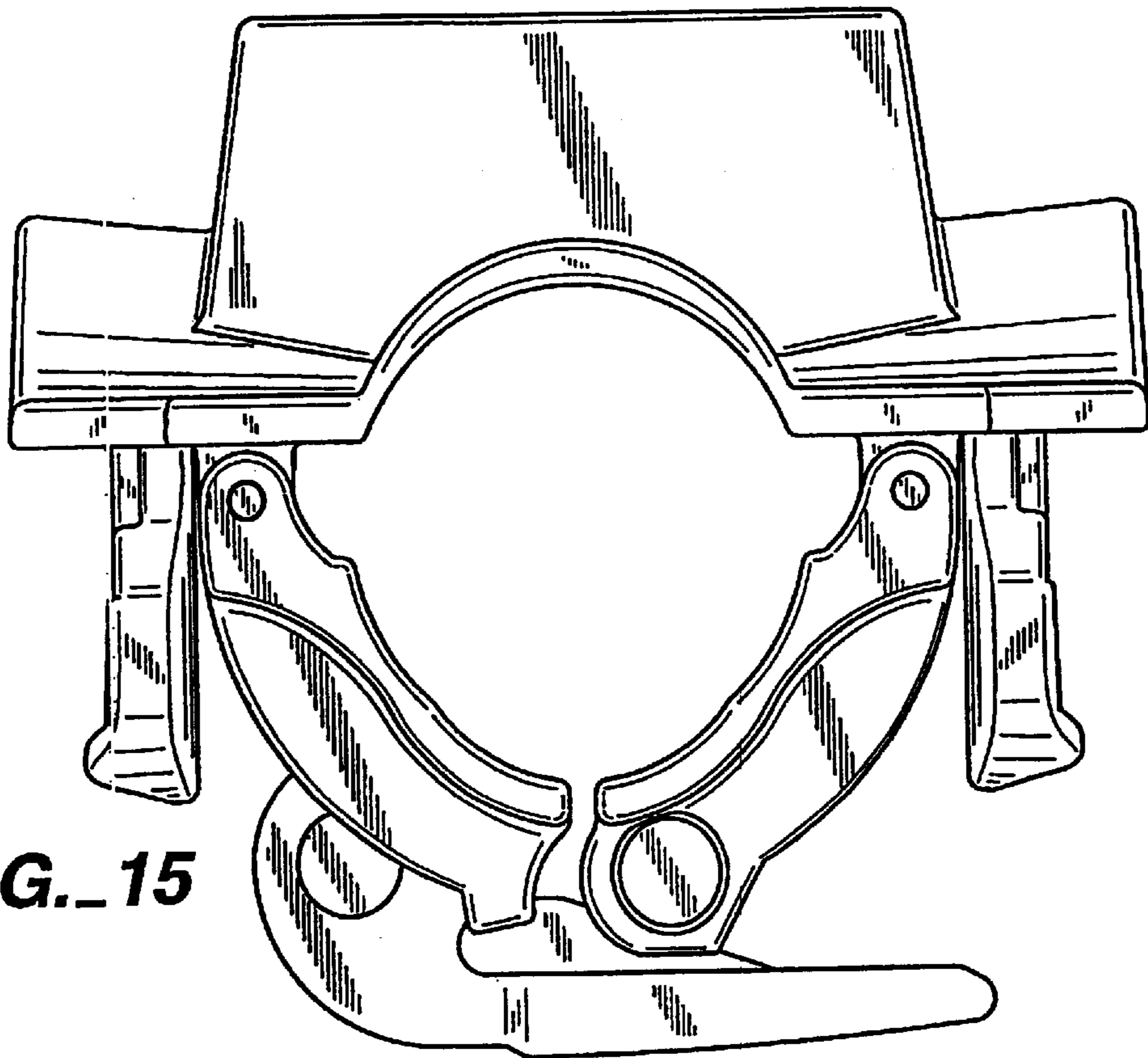


FIG. 15

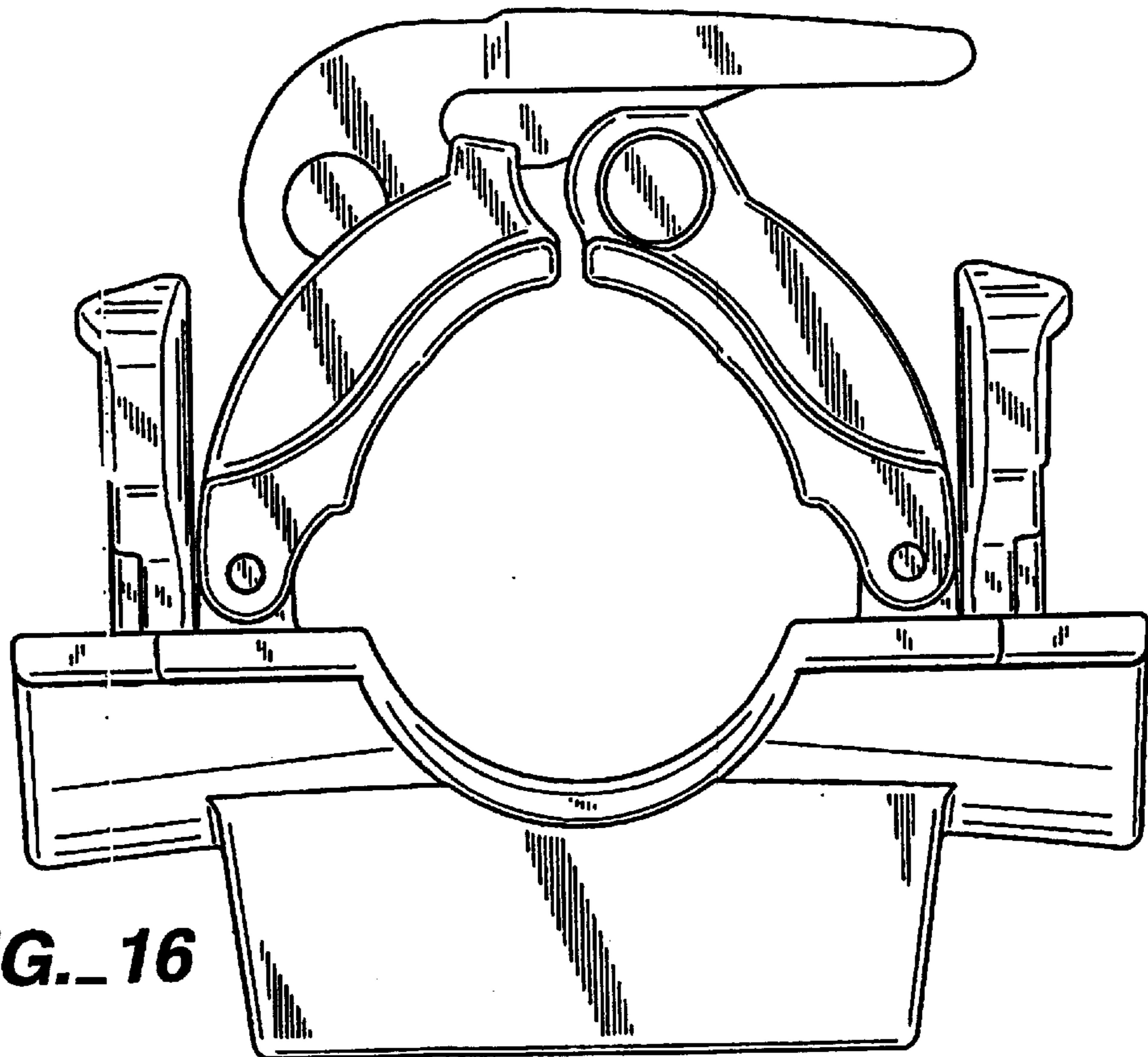


FIG. 16