



US00D473126S

(12) **United States Design Patent**  
**Fergusson**

(10) **Patent No.: US D473,126 S**

(45) **Date of Patent: \*\* \*Apr. 15, 2003**

(54) **MINE BOLT**

(76) Inventor: **Jeffrey Robert Fergusson**, 78 Cairnes Road, Glenorie NSW 2157 (AU)

(\* ) Notice: This patent is subject to a terminal disclaimer.

(\*\*) Term: **14 Years**

(21) Appl. No.: **29/140,509**

(22) Filed: **Apr. 19, 2001**

(51) **LOC (7) Cl. .... 08-08**

(52) **U.S. Cl. .... D8/387**

(58) **Field of Search** ..... D8/382, 384-393;  
411/500, 508-511, 378-382, 455, 908,  
913-916

(56) **References Cited**

**U.S. PATENT DOCUMENTS**

1,097,121 A \* 5/1914 Dyer ..... 411/318  
D317,862 S \* 7/1991 Yamamoto ..... D8/387  
D374,814 S \* 10/1996 Saito ..... D8/387

**OTHER PUBLICATIONS**

Industrial Fastener Institute's "Fastener Standards" 5th edition (c) 1970/p. N-45.\*

\* cited by examiner

*Primary Examiner*—Alan P. Douglas

*Assistant Examiner*—Clare E. Heflin

(74) *Attorney, Agent, or Firm*—Amster, Rothstein and Ebenstein

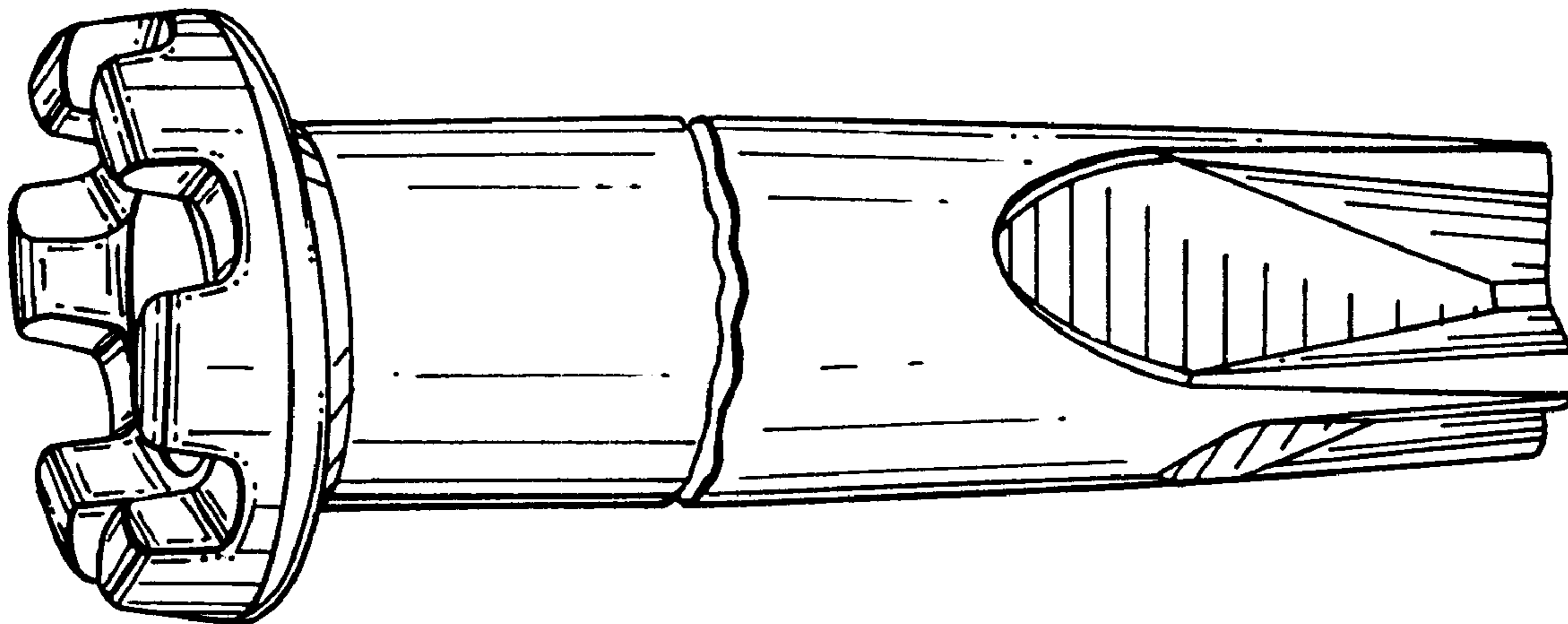
(57) **CLAIM**

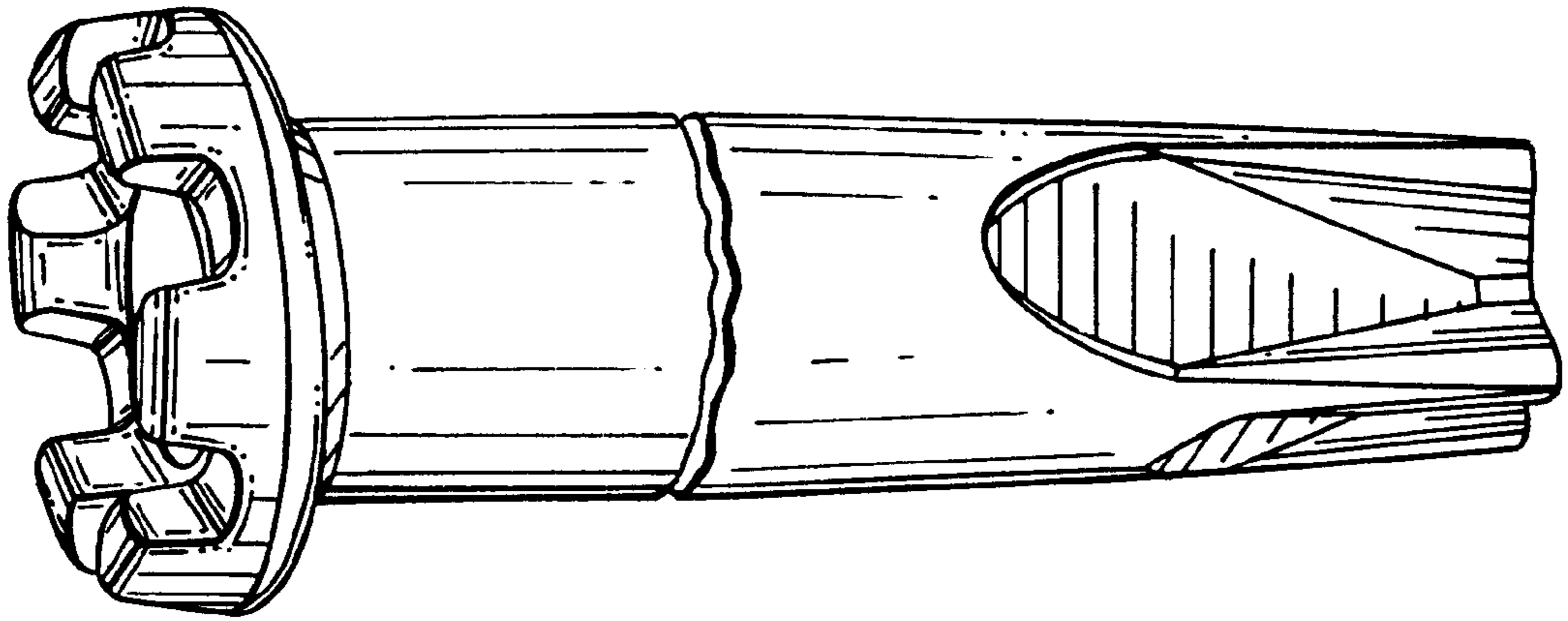
The ornamental design for a mine bolt, as shown and described.

**DESCRIPTION**

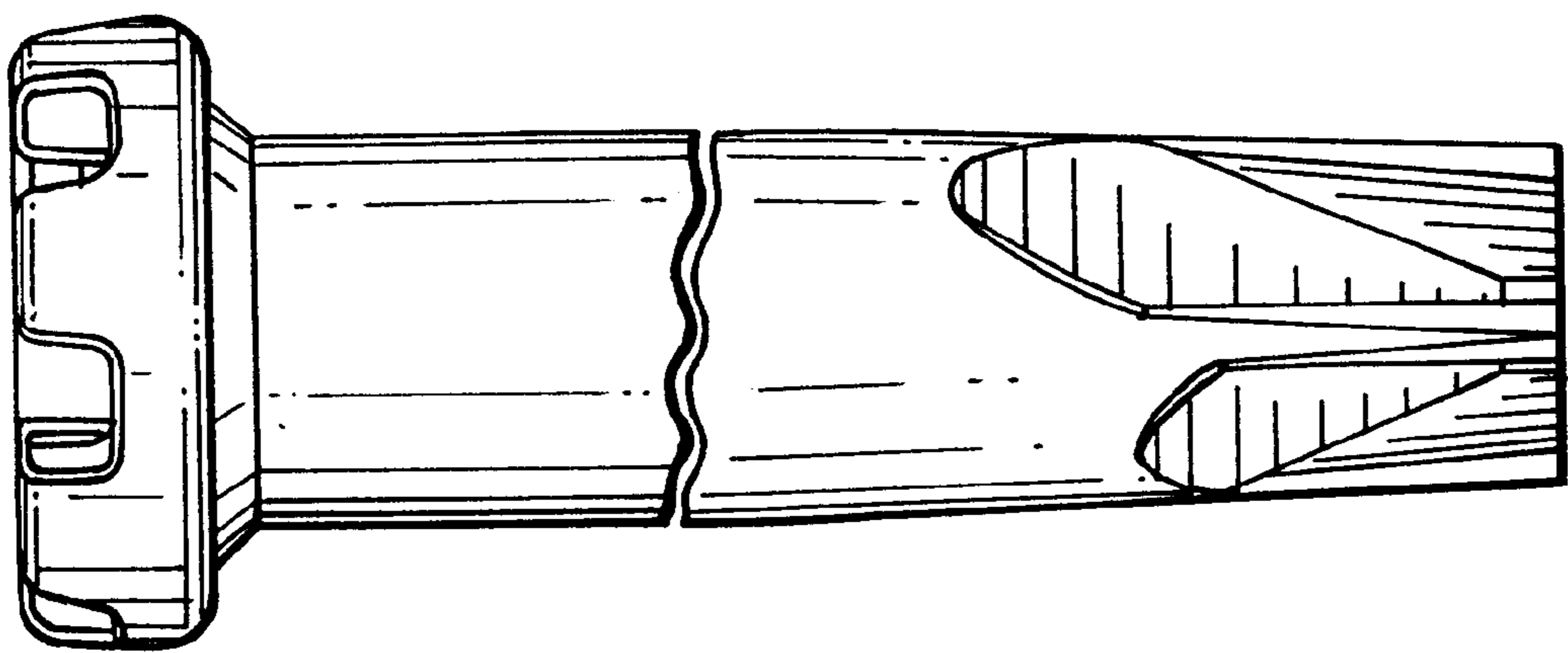
FIG. 1 is a rear perspective view of a mine bolt, showing a first embodiment of my new design;  
FIG. 2 is side elevational view thereof;  
FIG. 3 is a front perspective view thereof;  
FIG. 4 is an end view thereof;  
FIG. 5 is another side elevational view thereof;  
FIG. 6 is front view thereof;  
FIG. 7 is a rear perspective view of a mine bolt showing a second embodiment of my new design;  
FIG. 8 is a front perspective view of the second embodiment;  
FIG. 9 is a side elevational view of the second embodiment;  
FIG. 10 is an end view of the second embodiment;  
FIG. 11 is another side elevational view of the second embodiment; and,  
FIG. 12 is a front view of the second embodiment.  
The shank of the bolt is shown broken away to depict indeterminate length.

**1 Claim, 6 Drawing Sheets**

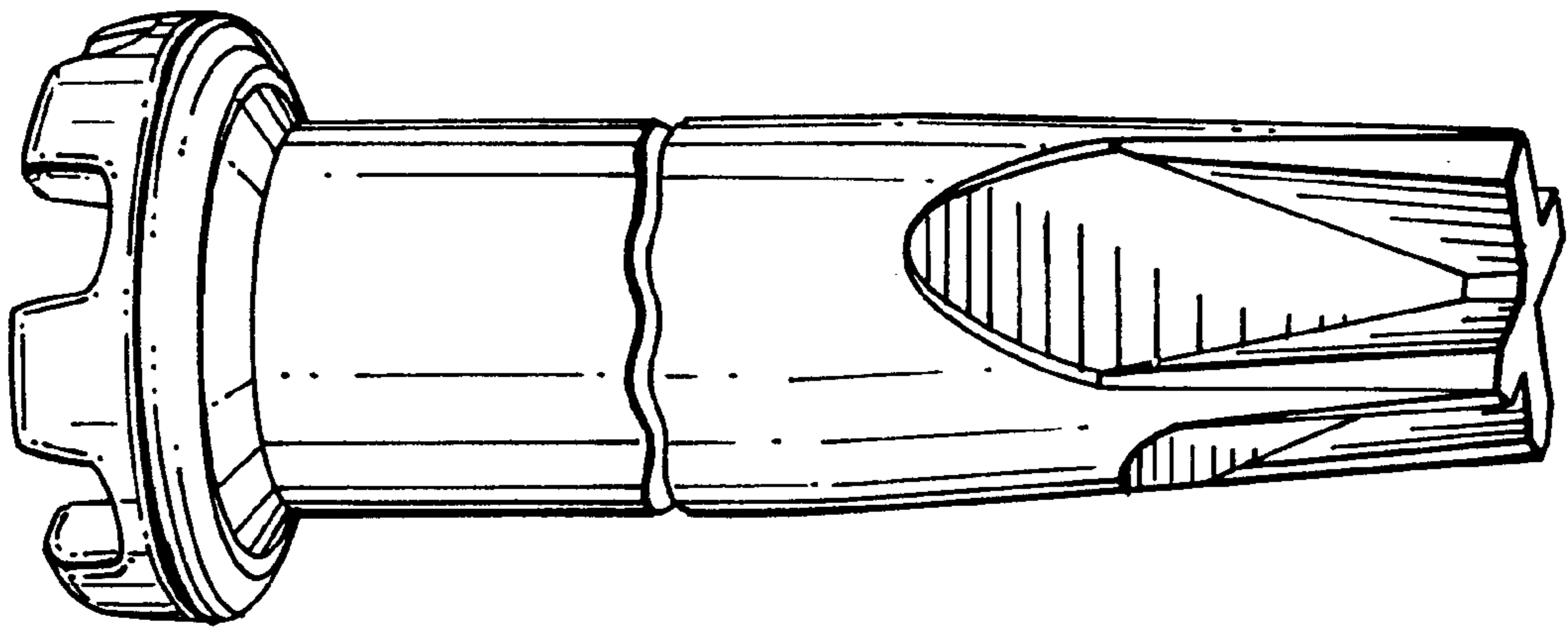




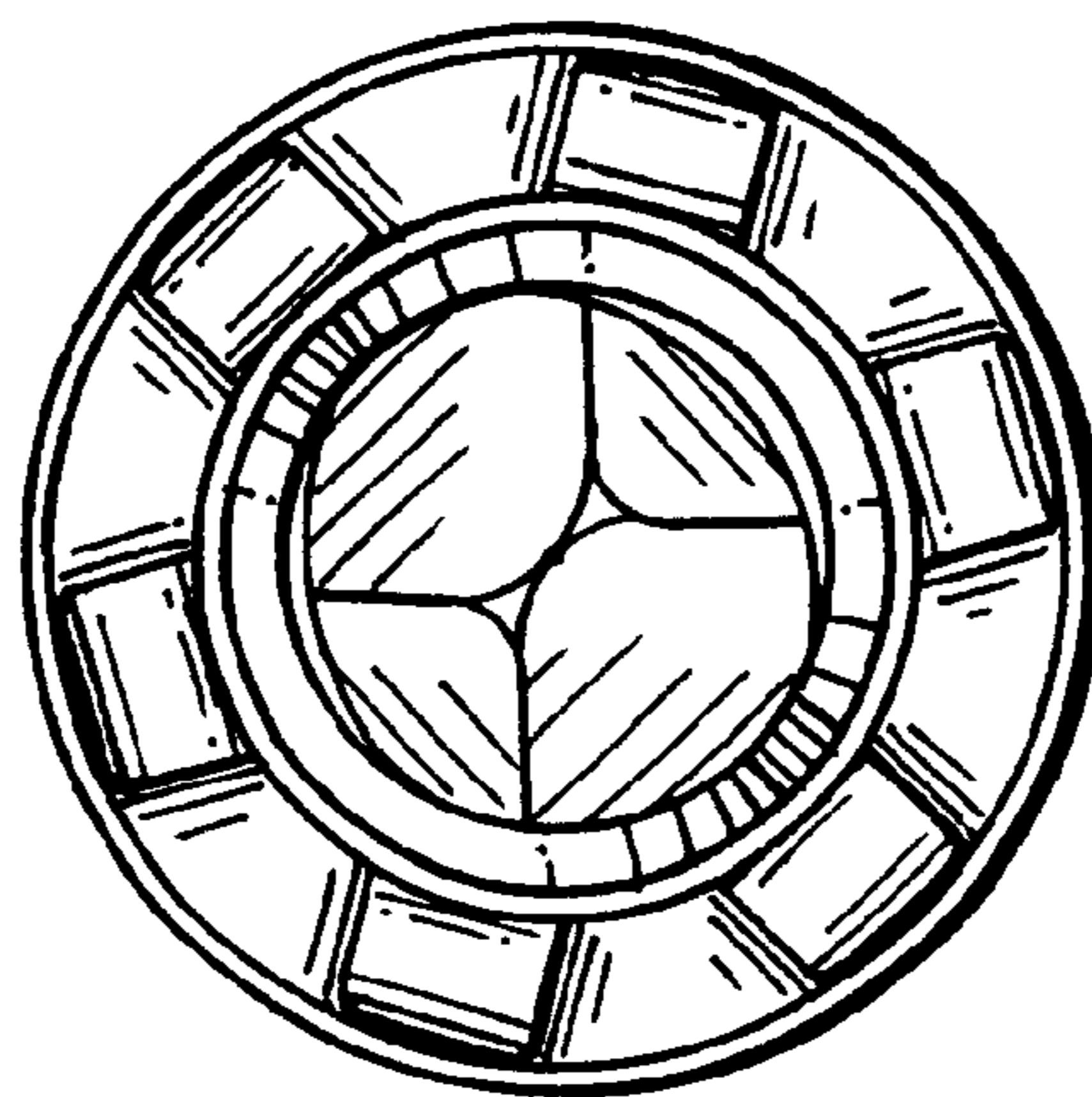
*FIG. 1*



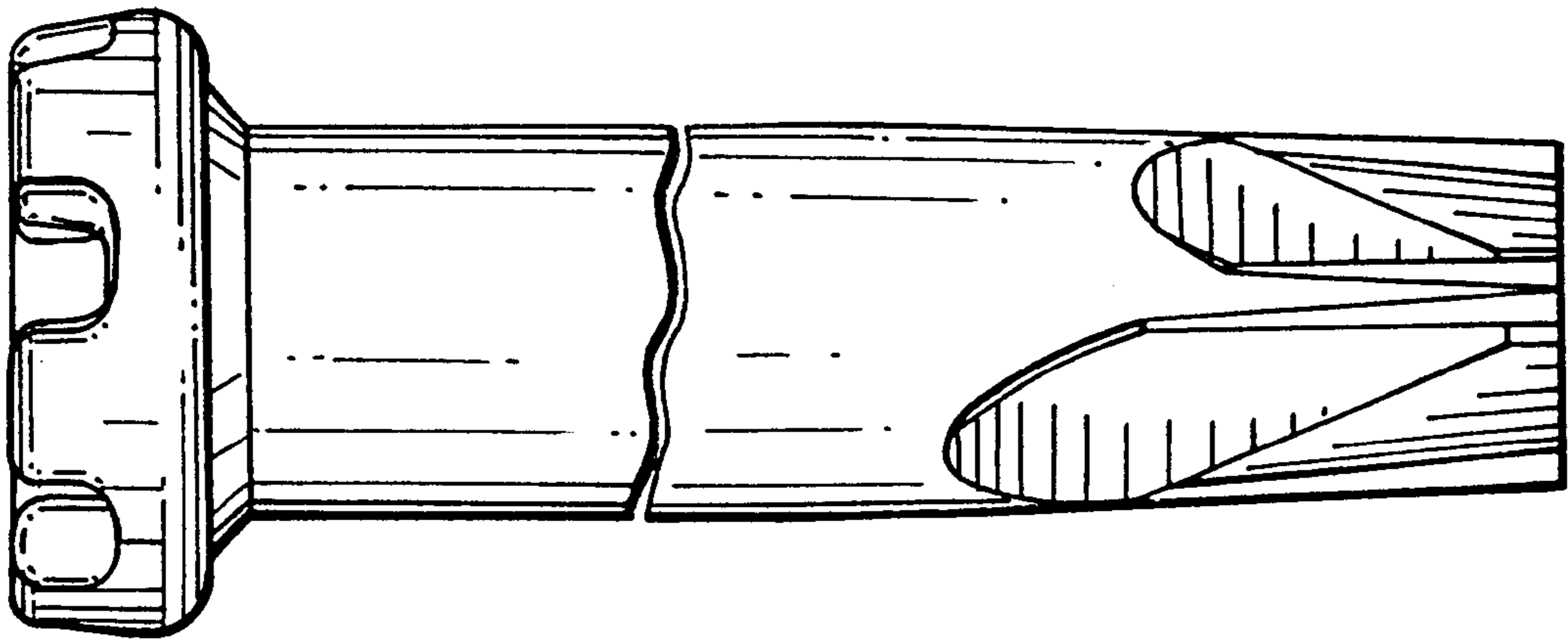
*FIG. 2*



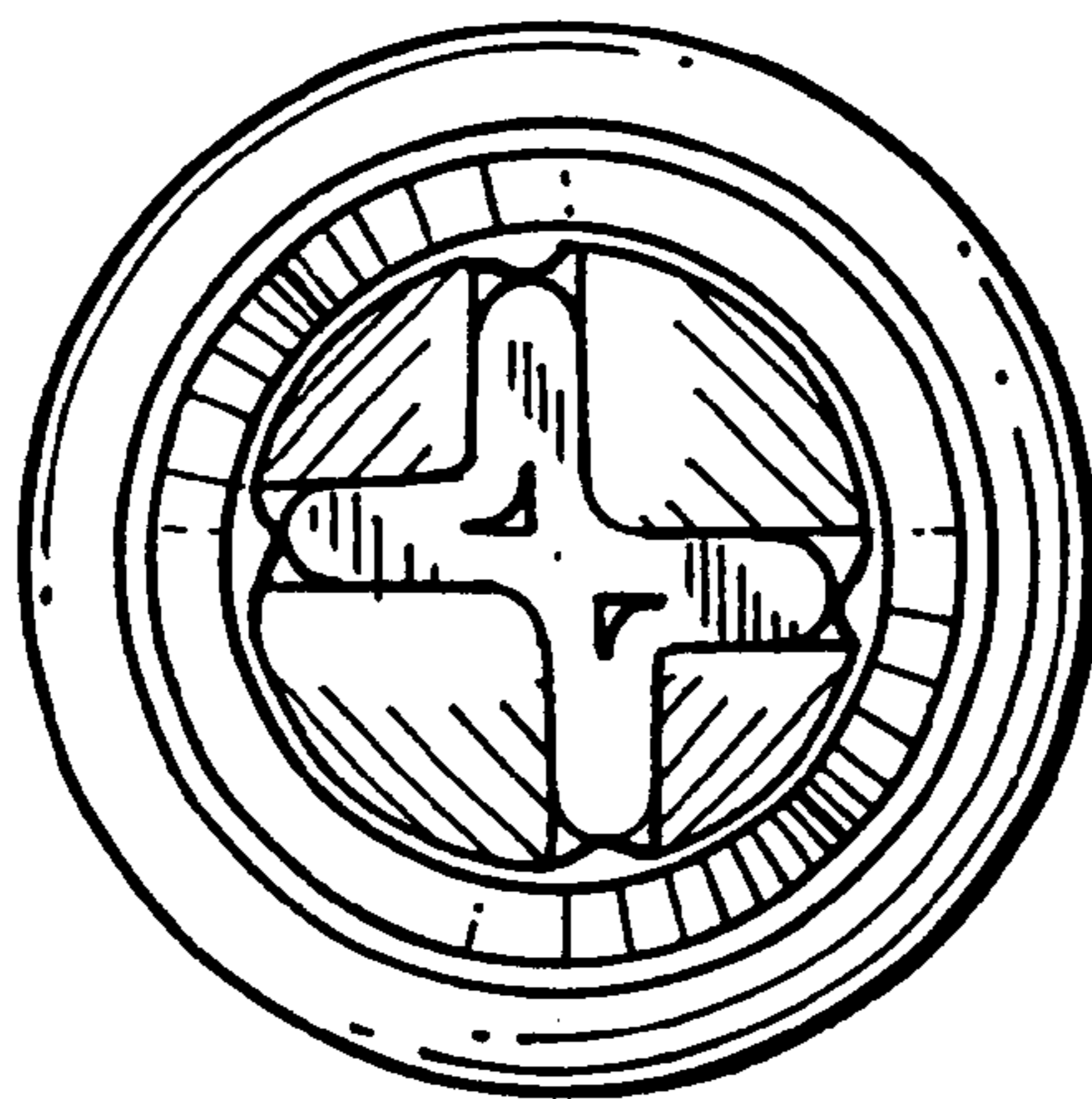
*FIG. 3*



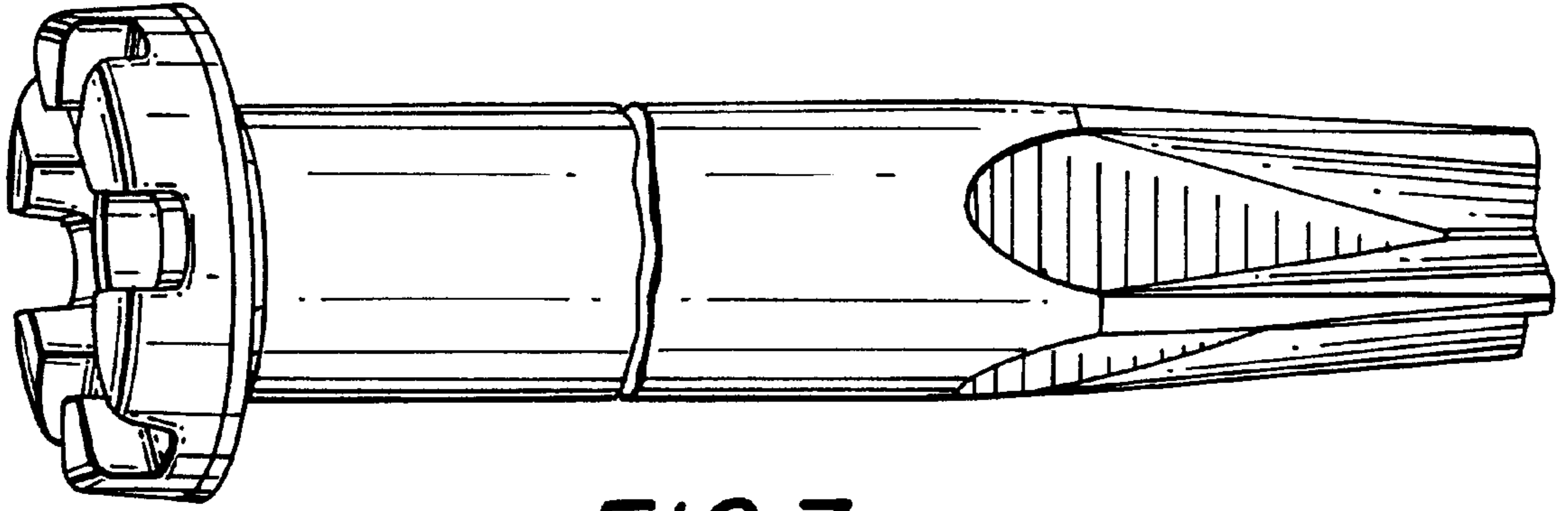
*FIG. 4*



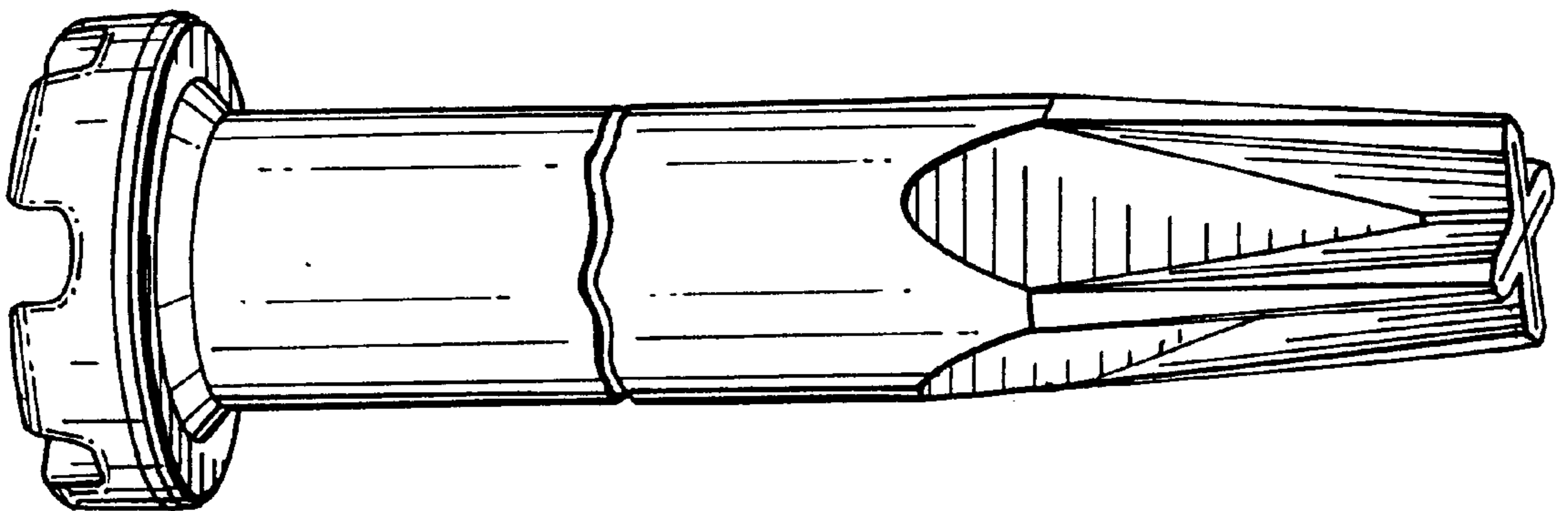
*FIG. 5*



*FIG. 6*

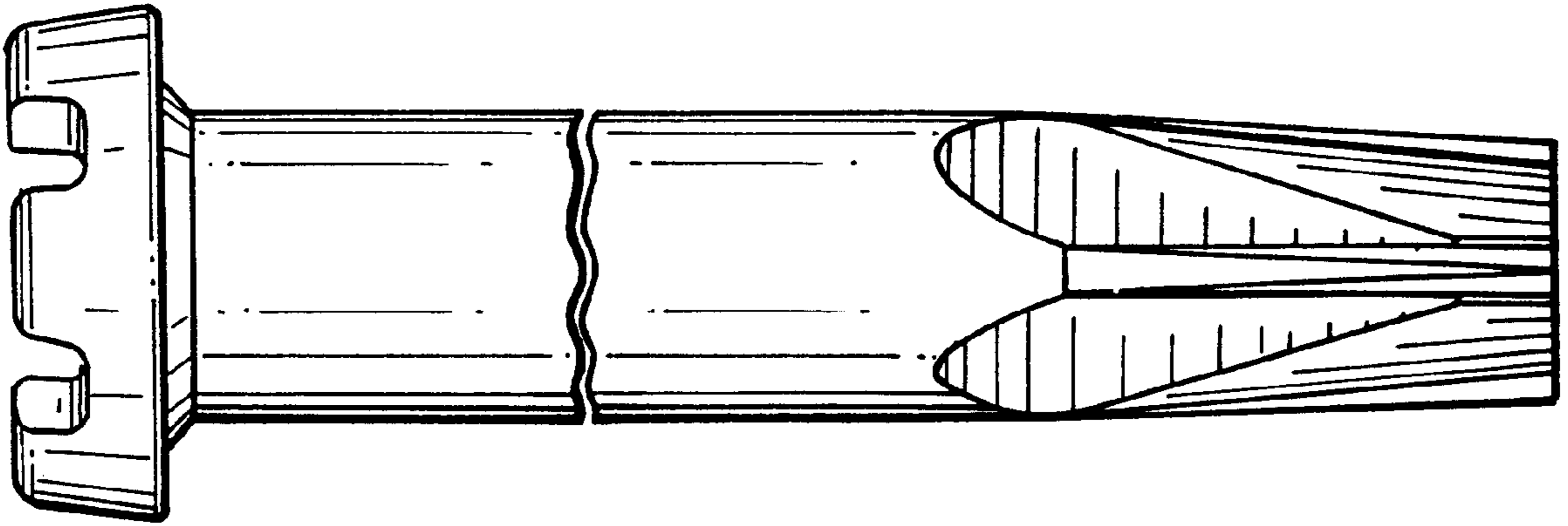


*FIG. 7*

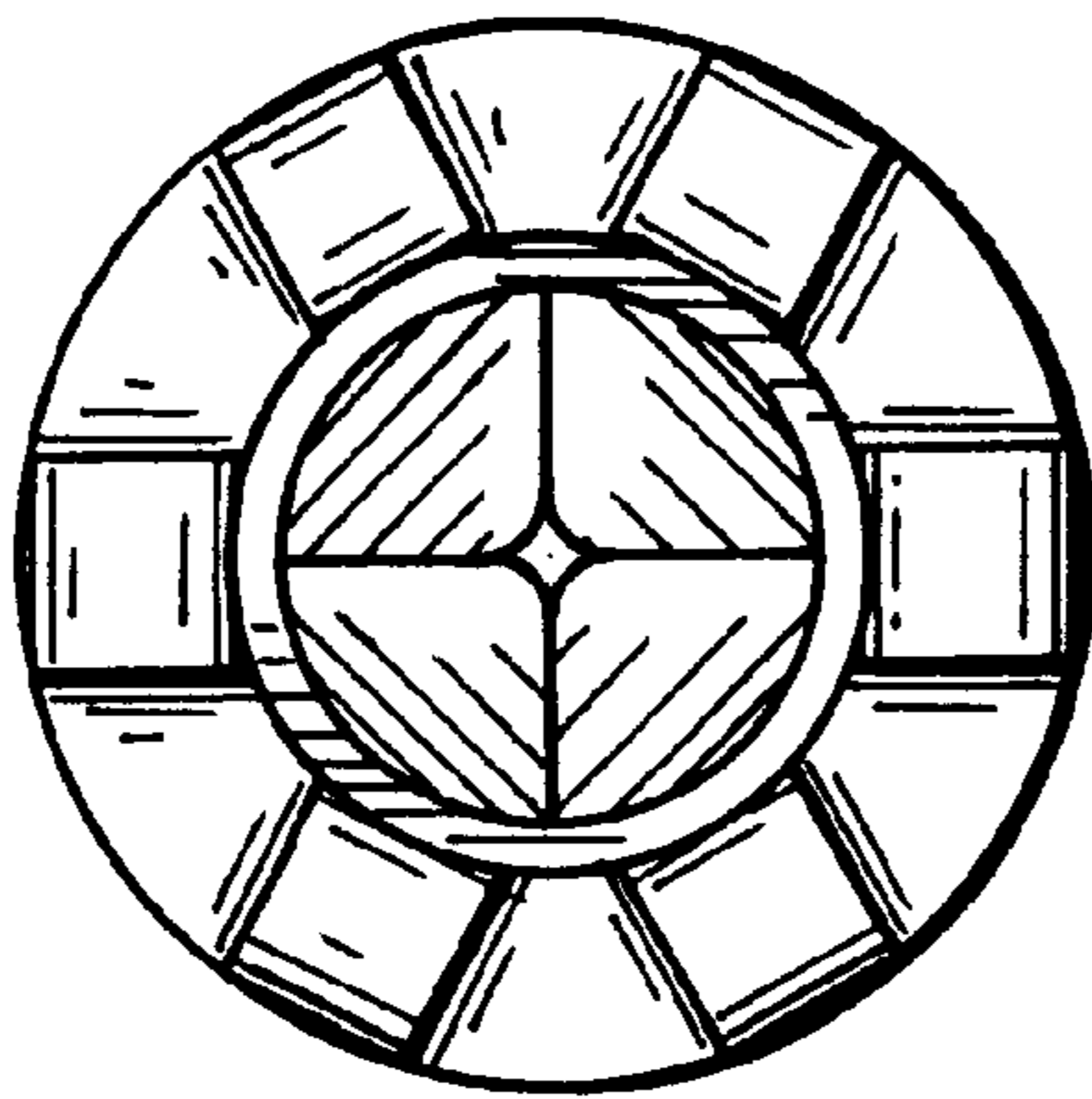


*FIG. 8*

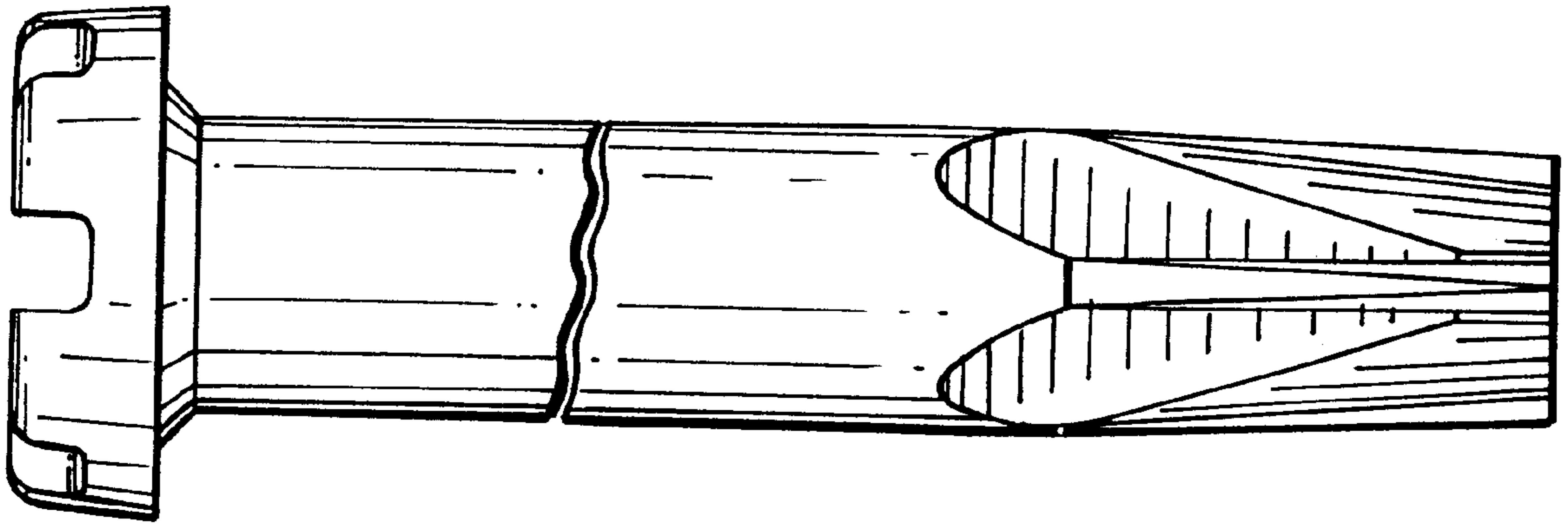




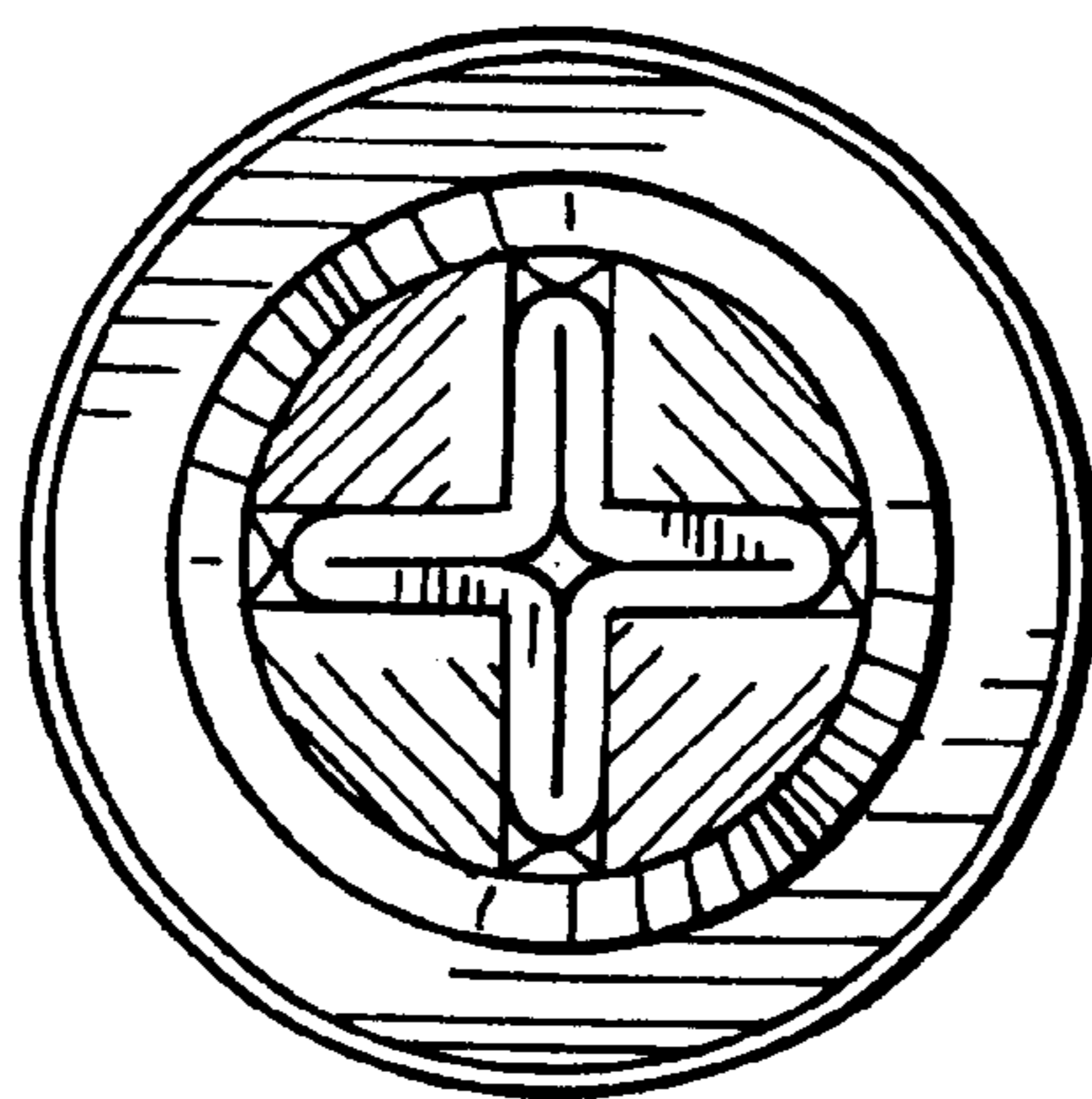
*FIG. 9*



*FIG. 10*



*FIG. 11*



*FIG. 12*