



US00D473125S

(12) **United States Design Patent**
Conroy

(10) **Patent No.:** **US D473,125 S**

(45) **Date of Patent:** **** Apr. 15, 2003**

(54) **SPORTS BOARD WALL HANGER**

Primary Examiner—Pamela Burgess

(74) *Attorney, Agent, or Firm*—John E. Wagner

(76) **Inventor:** **William A. Conroy**, 2000 S. Hoefner Ave., Commerce, CA (US) 90040

(57) **CLAIM**

(**) **Term:** **14 Years**

The ornamental design of a sports board wall hanger, as shown and described.

(21) **Appl. No.:** **29/141,992**

DESCRIPTION

(22) **Filed:** **May 16, 2001**

(51) **LOC (7) Cl.** **08-05**

(52) **U.S. Cl.** **D8/367; D8/373**

(58) **Field of Search** D8/381, 373, 380, D8/354, 349, 363; 248/301, 304, 254, 215, 308, 489, 339, 235-247, 219.4, 220.21, 220.31, 220.41; 211/118, 60.1

FIG. 1 is a left side perspective view of a sports board wall hanger showing my new design;

FIG. 2 is a right side elevational view thereof;

FIG. 3 is a left side elevational view thereof;

FIG. 4 is a front elevational view thereof;

FIG. 5 is a rear elevational view thereof;

FIG. 6 is a top plan view thereof;

FIG. 7 is a bottom plan view thereof; and,

FIG. 8 is a left side perspective view of a second embodiment of a sports board wall hanger showing a my new design, the only difference being that its orthogonal views are mirror images of FIGS. 2-7.

Details shown in dashed dotted lines are for illustrative purposes only and form no part of the claimed design.

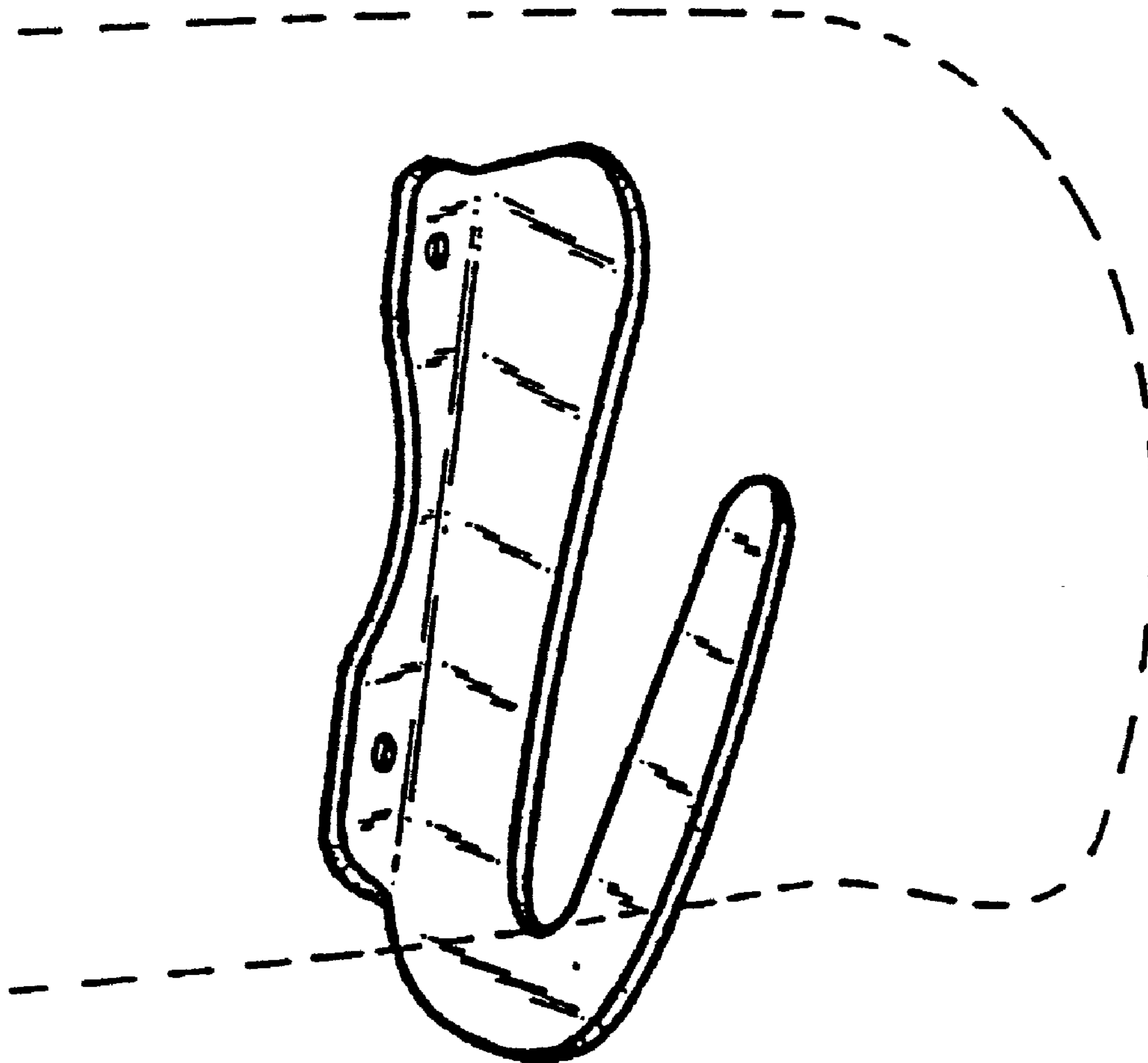
(56) **References Cited**

U.S. PATENT DOCUMENTS

880,245 A *	2/1908	Moore	36/173
1,346,749 A *	7/1920	Henson	248/254
1,559,124 A *	10/1925	Newton	248/254
1,638,742 A *	8/1927	Parkinson	248/254

* cited by examiner

1 Claim, 2 Drawing Sheets



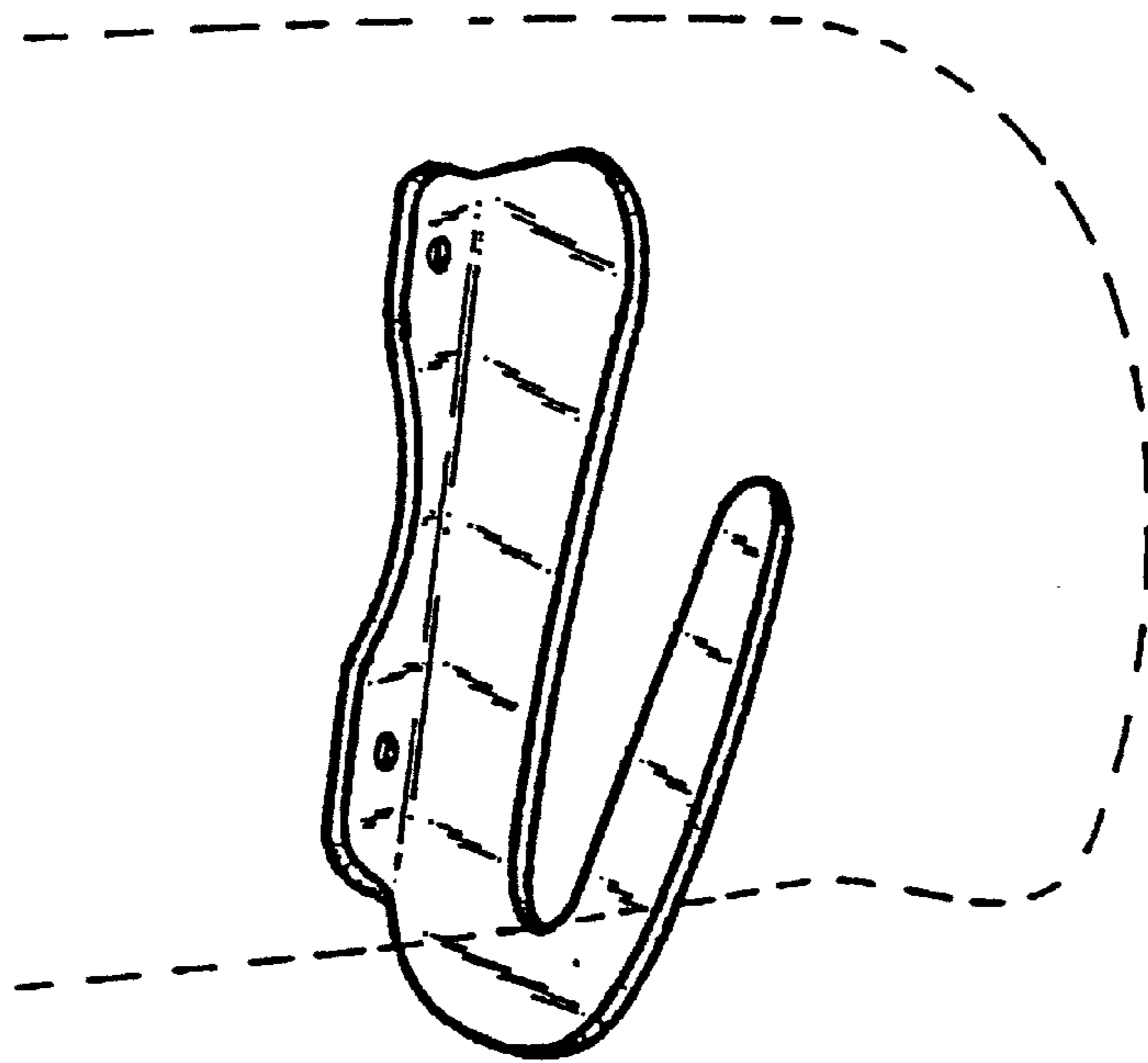


Fig. 1

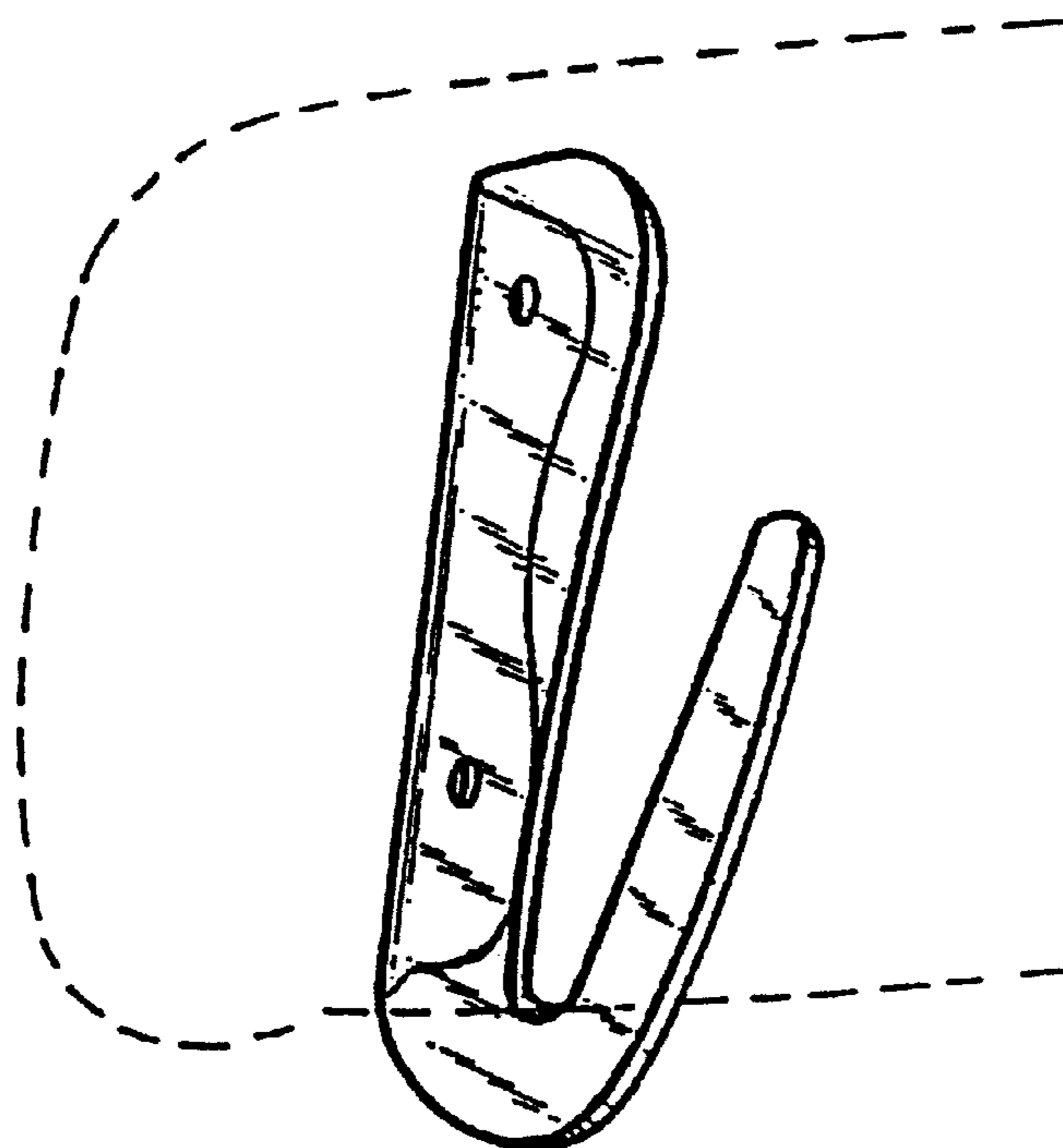


Fig. 8



Fig. 5



Fig. 6



Fig. 7

Fig. 4



Fig. 2

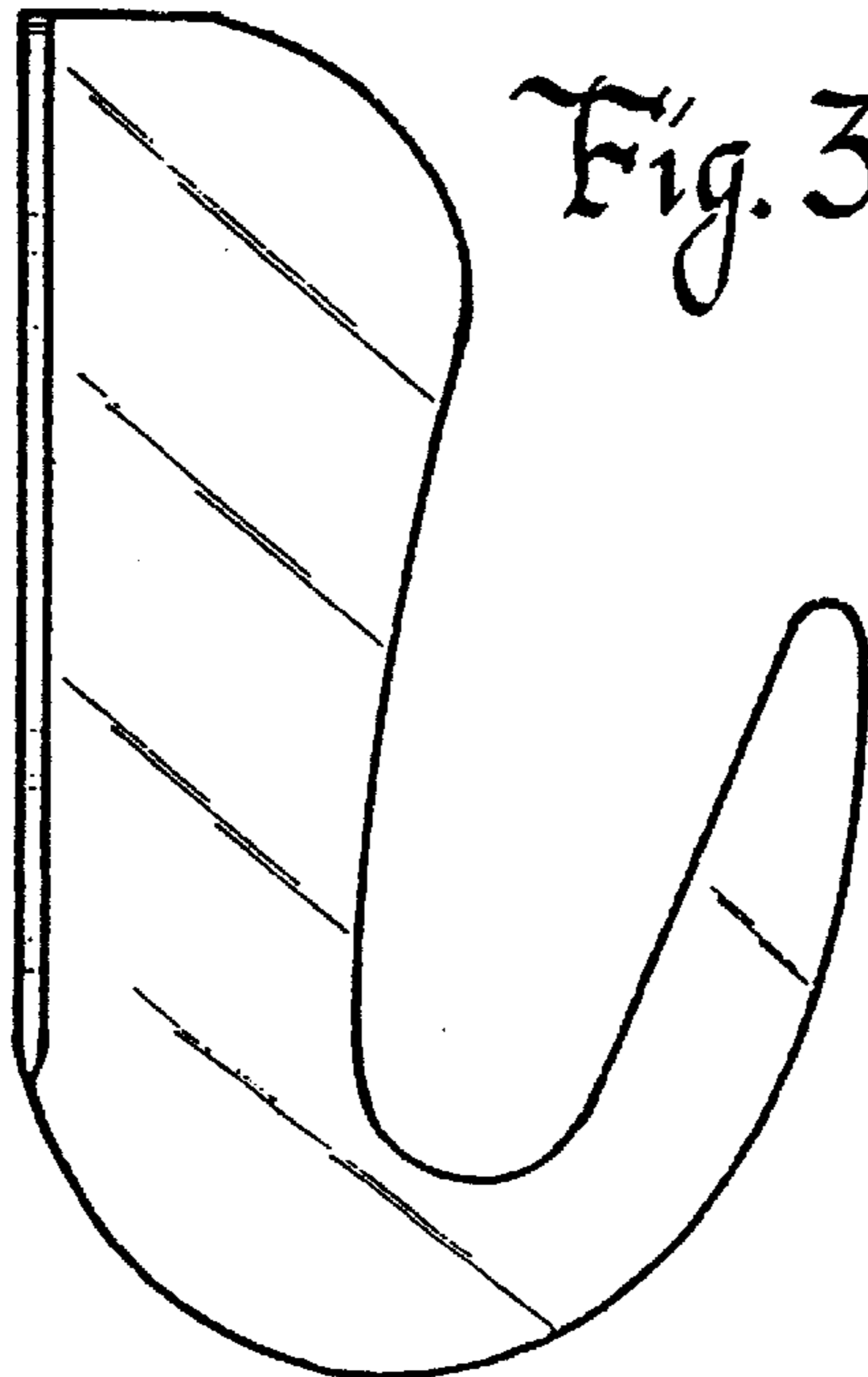


Fig. 3

