



US00D473123S

(12) **United States Design Patent**
Anderson

(10) **Patent No.:** **US D473,123 S**

(45) **Date of Patent:** **** Apr. 15, 2003**

(54) **DECK SPACER**

(76) Inventor: **Michael D. Anderson**, 9012 Vance St.,
#304, Westminster, CO (US) 80021

(**) Term: **14 Years**

(21) Appl. No.: **29/153,900**

(22) Filed: **Oct. 26, 2001**

(51) **LOC (7) Cl.** **08-05**

(52) **U.S. Cl.** **D8/354**

(58) **Field of Search** D8/14, 16, 19,
D8/354, 363; 33/501, 526, 527, 562, 566,
644, 645; 52/747.1, 749.1, 127.5, 127.6,
DIG. 1; 81/46, 488

(56) **References Cited**

U.S. PATENT DOCUMENTS

4,773,163 A	*	9/1988	Wolford, Jr.	33/479
4,850,114 A	*	7/1989	Vockins	33/526
4,930,225 A	*	6/1990	Phillips	33/526
4,955,142 A	*	9/1990	Rieck	33/526

D324,784 S	*	3/1992	Rose	D8/363
5,560,117 A	*	10/1996	Tallman	33/526
5,727,325 A	*	3/1998	Mussell	33/481
5,933,974 A	*	8/1999	Walters et al.	33/474

* cited by examiner

Primary Examiner—Doris V. Coles

Assistant Examiner—Elizabeth A. Albert

(74) *Attorney, Agent, or Firm*—Brian D. Smith, P.C.

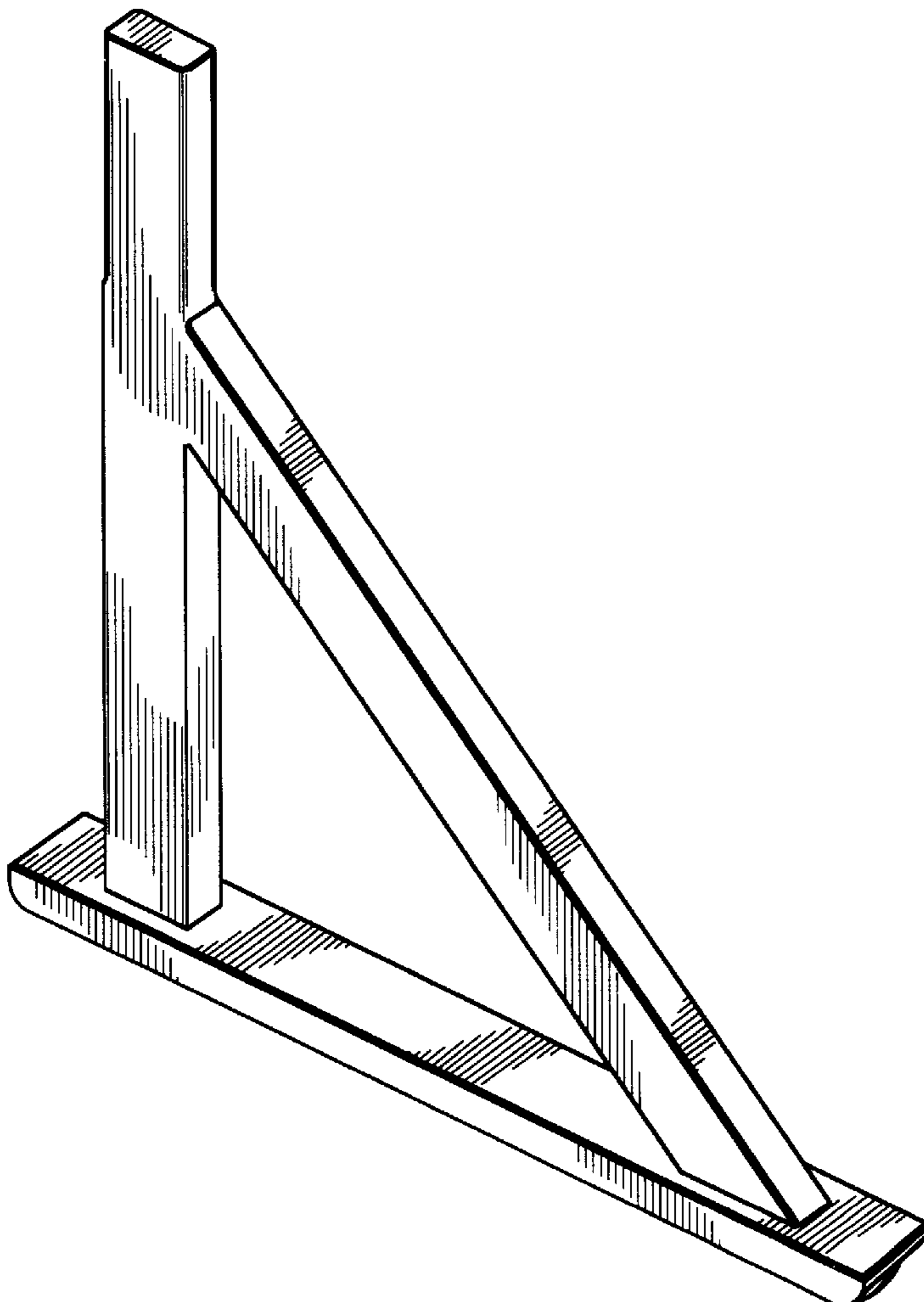
(57) **CLAIM**

The ornamental design for a deck spacer, as shown and described.

DESCRIPTION

FIG. 1 is a perspective view of my design for a deck spacer;
FIG. 2 is a side elevation view of the deck spacer of FIG. 1;
FIG. 3 is a rear elevation view of the deck spacer of FIG. 1;
FIG. 4 is a front elevation view of the deck spacer of FIG. 1;
FIG. 5 is a top plan view of the deck spacer of FIG. 1; and,
FIG. 6 is a bottom plan view of the deck spacer of FIG. 1.

1 Claim, 2 Drawing Sheets



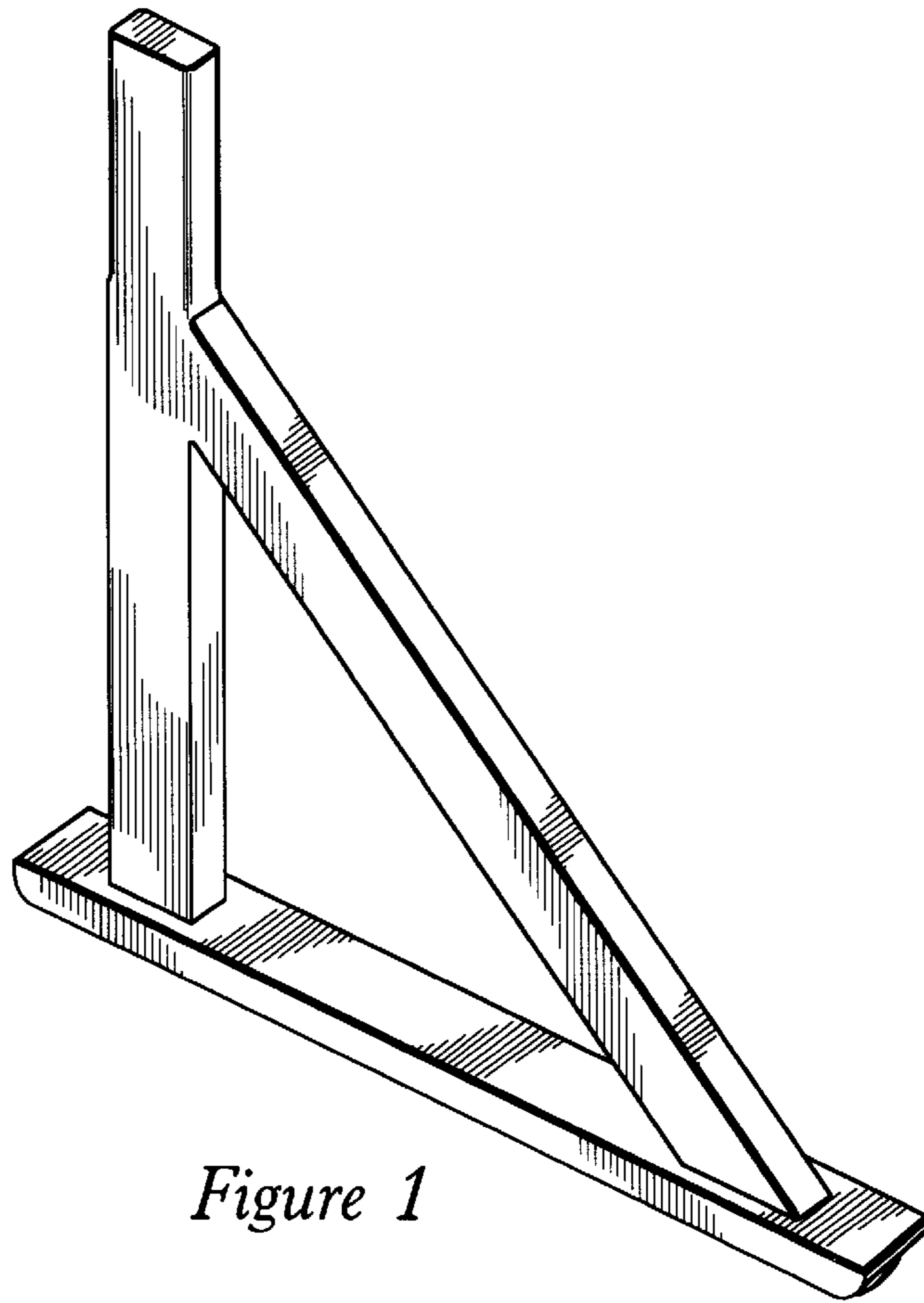


Figure 1

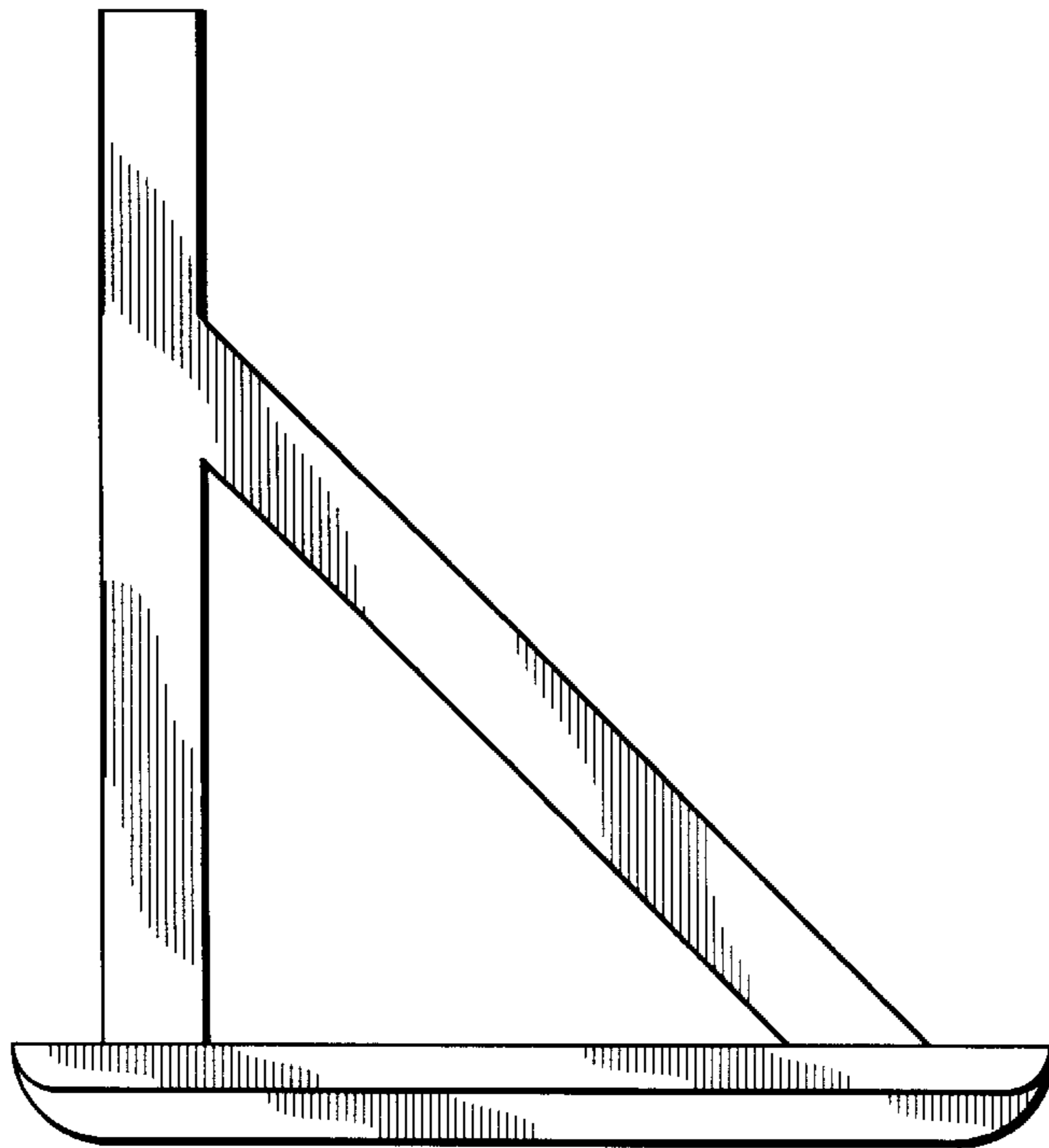


Figure 2



Figure 3



Figure 4



Figure 5



Figure 6