



US00D473122S

(12) **United States Design Patent**
Ling

(10) **Patent No.:** **US D473,122 S**

(45) **Date of Patent:** **** Apr. 15, 2003**

(54) **COMBINATION LOCK**

D458,830 S * 6/2002 Morris et al. D8/358

(75) Inventor: **Chong-Kuan Ling**, Chung-Ho (TW)

* cited by examiner

(73) Assignee: **Sinox Co., Ltd.**, Chung-Ho (TW)

Primary Examiner—Brian N. Vinson
(74) *Attorney, Agent, or Firm*—Bacon & Thomas, PLLC

(**) Term: **14 Years**

(57) **CLAIM**

(21) Appl. No.: **29/156,543**

The ornamental design for a combination lock, as shown and described.

(22) Filed: **Mar. 5, 2002**

(51) **LOC (7) Cl.** **08-07**

(52) **U.S. Cl.** **D8/334**

(58) **Field of Search** D8/333, 343; 70/20–22,
70/24–29, 35, 41–44, 52

DESCRIPTION

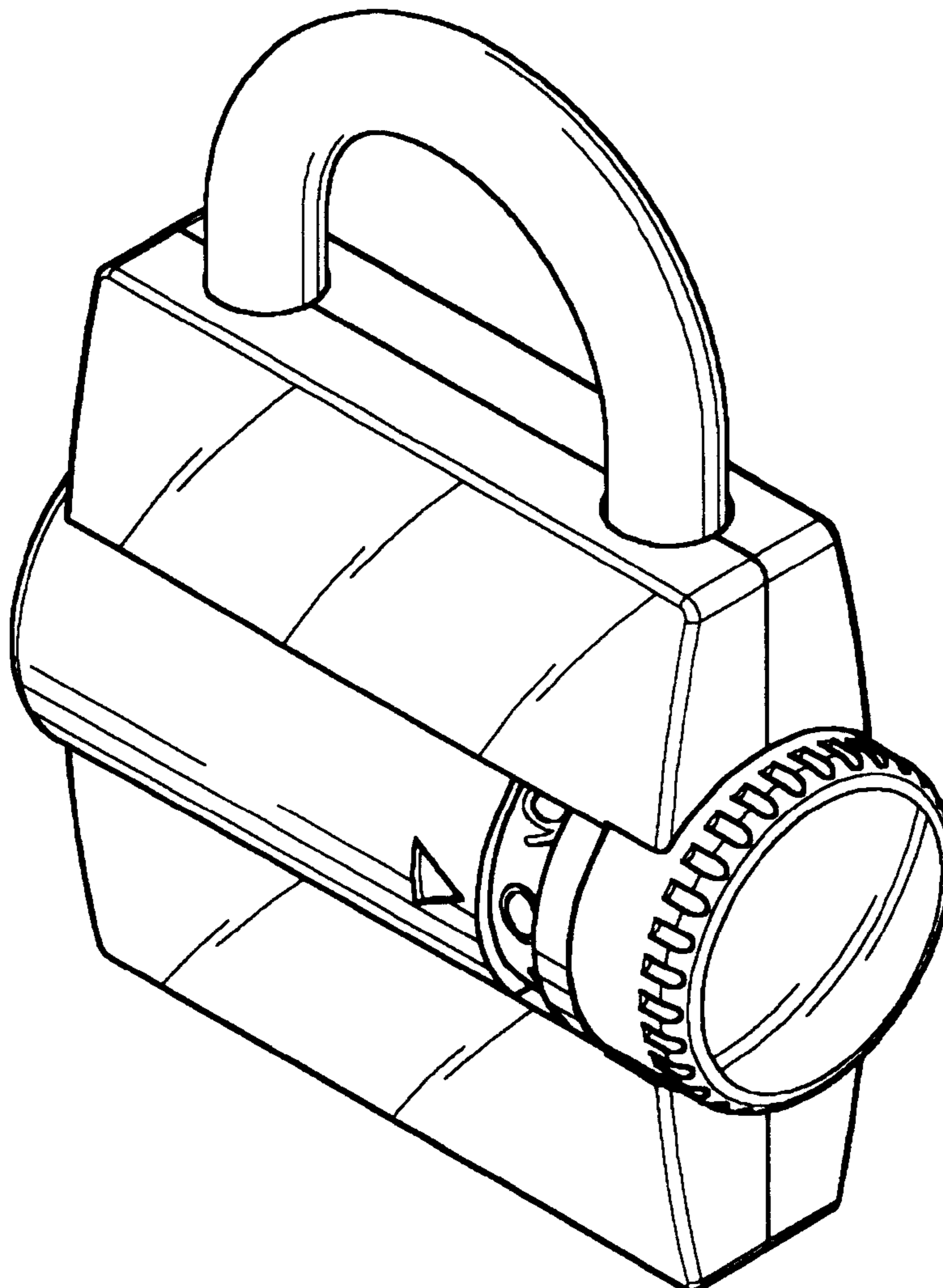
FIG. 1 is a left side perspective view of a combination lock etc. showing my new design;
FIG. 2 is a front view thereof;
FIG. 3 is a rear view thereof;
FIG. 4 is a left side view thereof;
FIG. 5 is a right side view thereof;
FIG. 6 is a top view thereof; and,
FIG. 7 is a bottom view thereof.

(56) **References Cited**

U.S. PATENT DOCUMENTS

D142,481 S	*	10/1945	Jakopets	D8/334
3,750,431 A	*	8/1973	Atkinson	70/21
D297,403 S	*	8/1988	Chong-Kuan	D8/334
D339,055 S	*	9/1993	Ling	D8/334

1 Claim, 4 Drawing Sheets



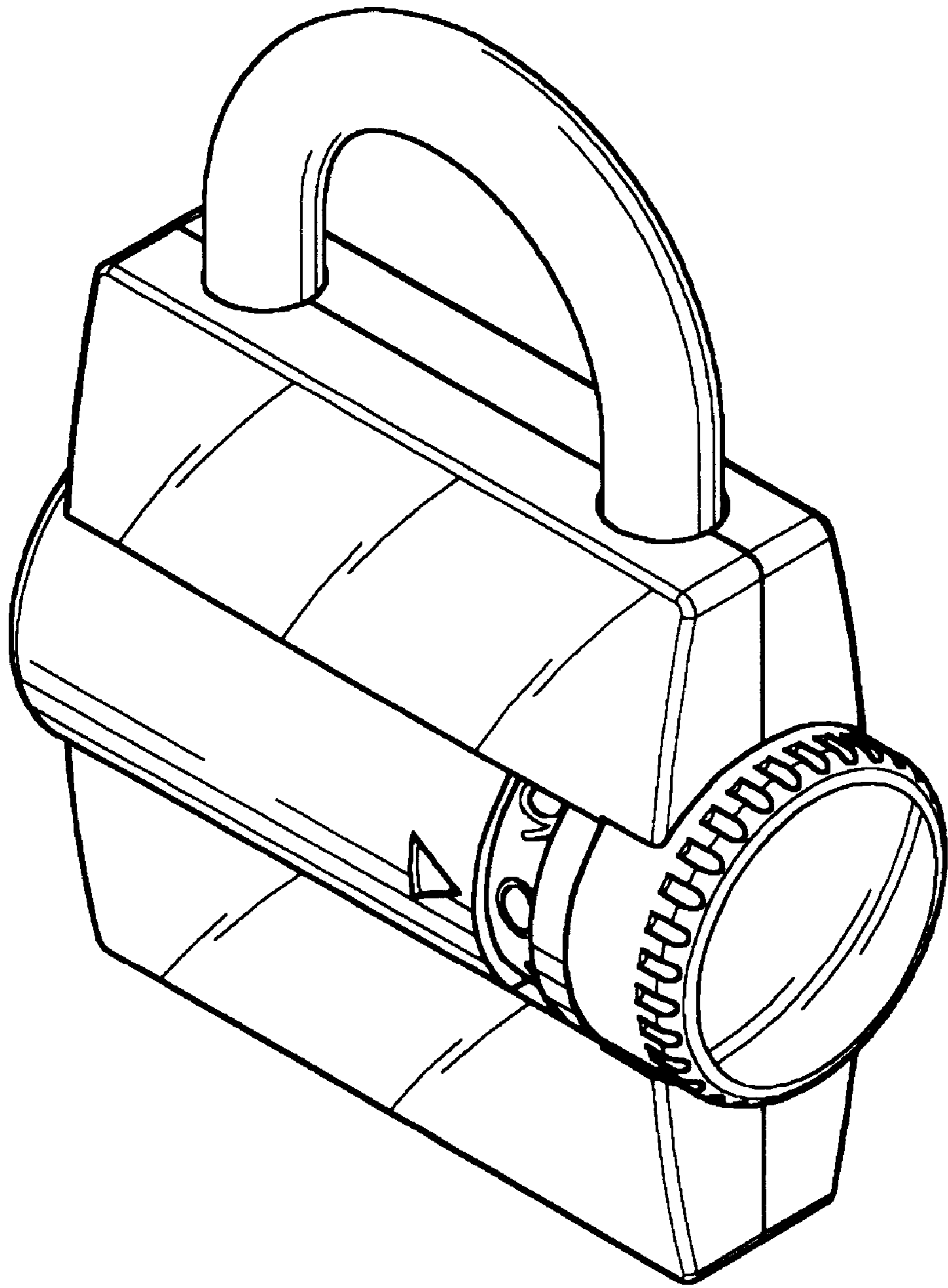


FIG 1

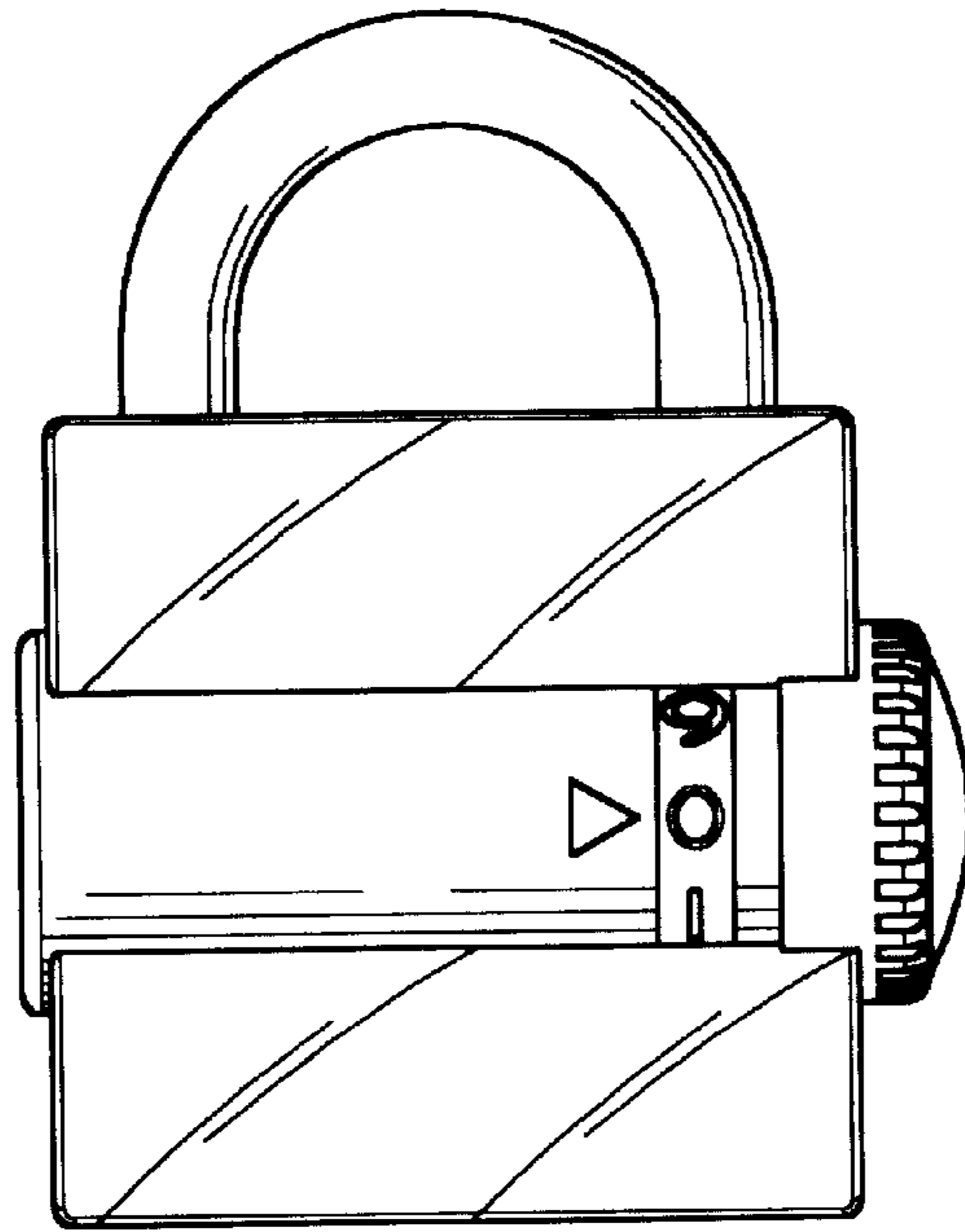


FIG 2

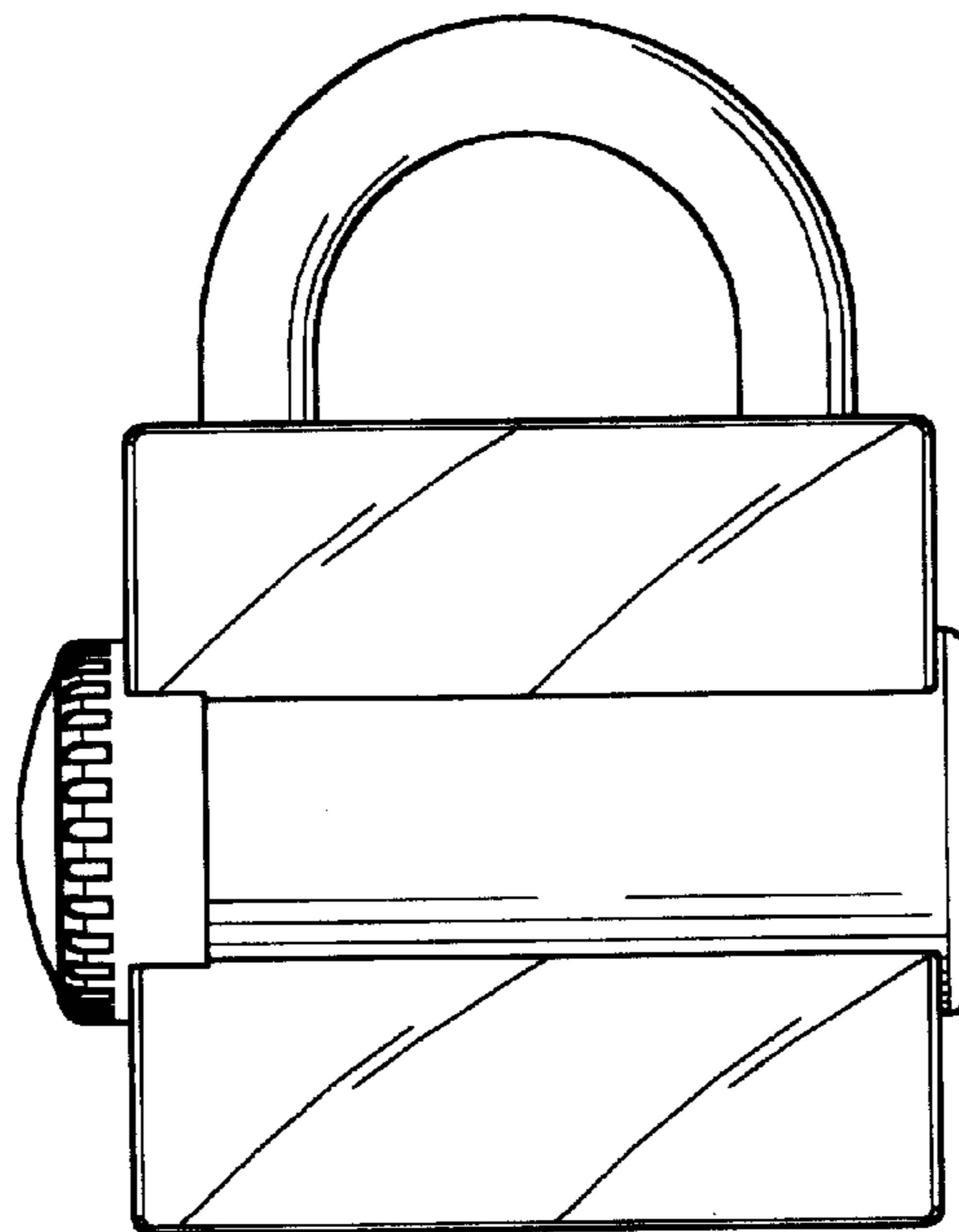


FIG 3

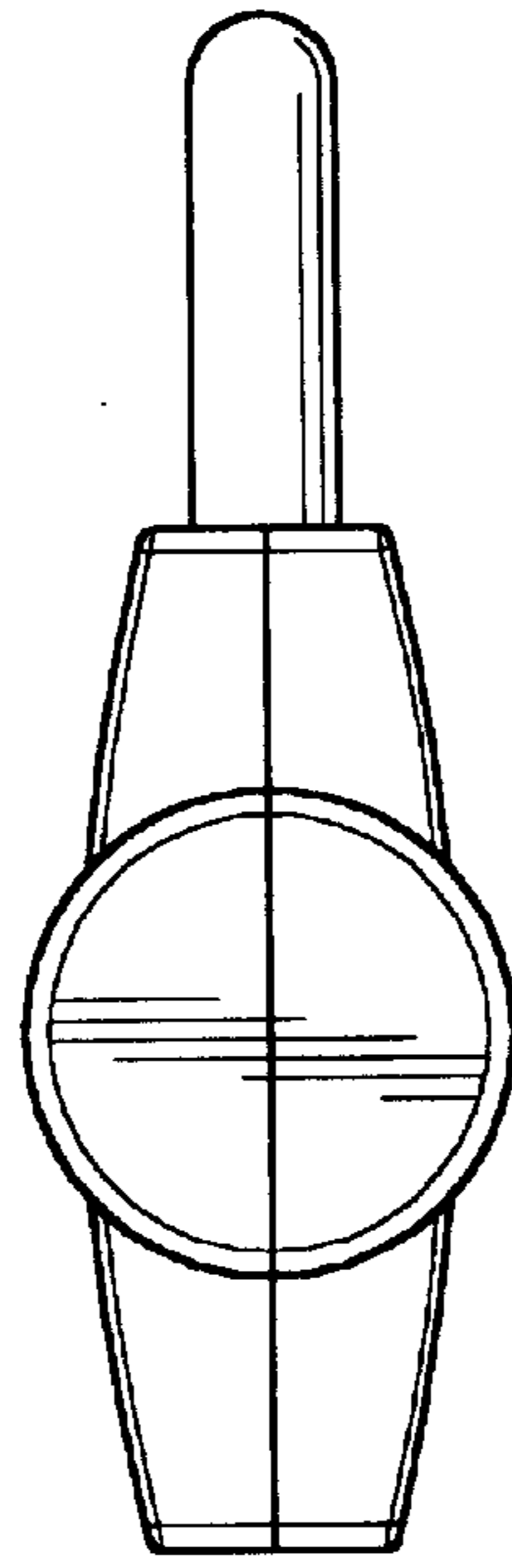


FIG 4

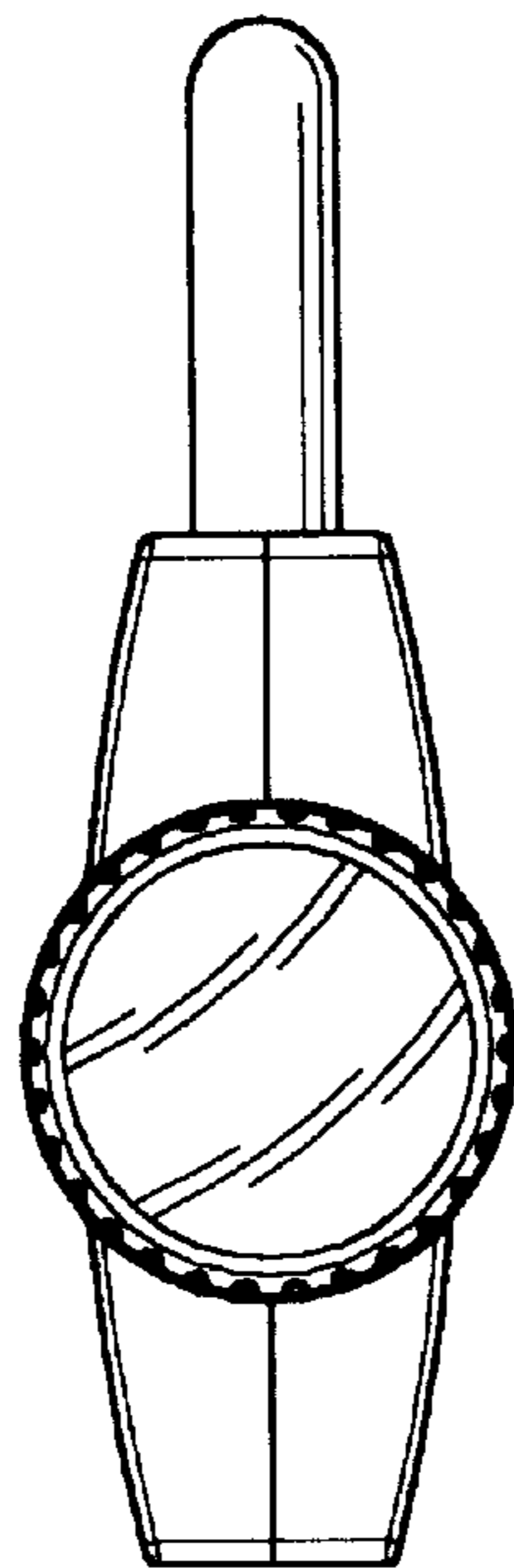


FIG 5

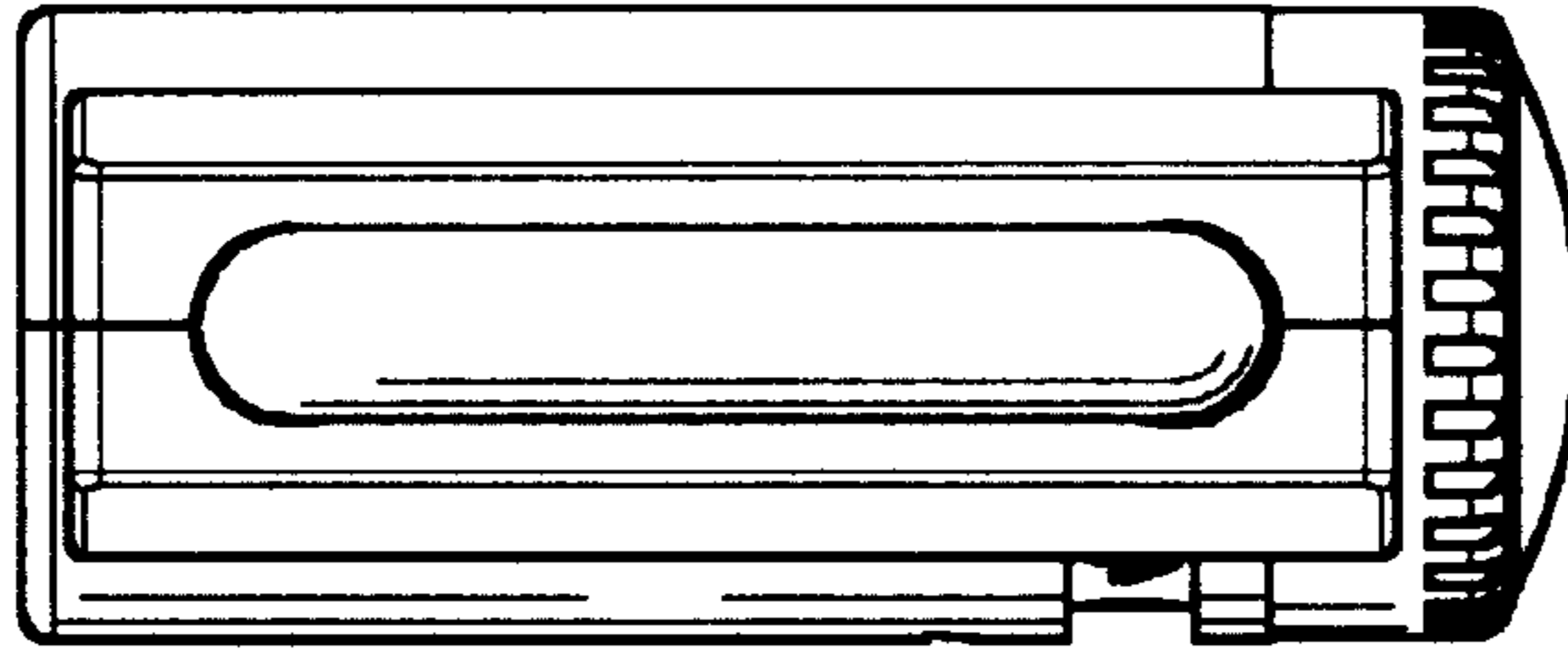


FIG 6

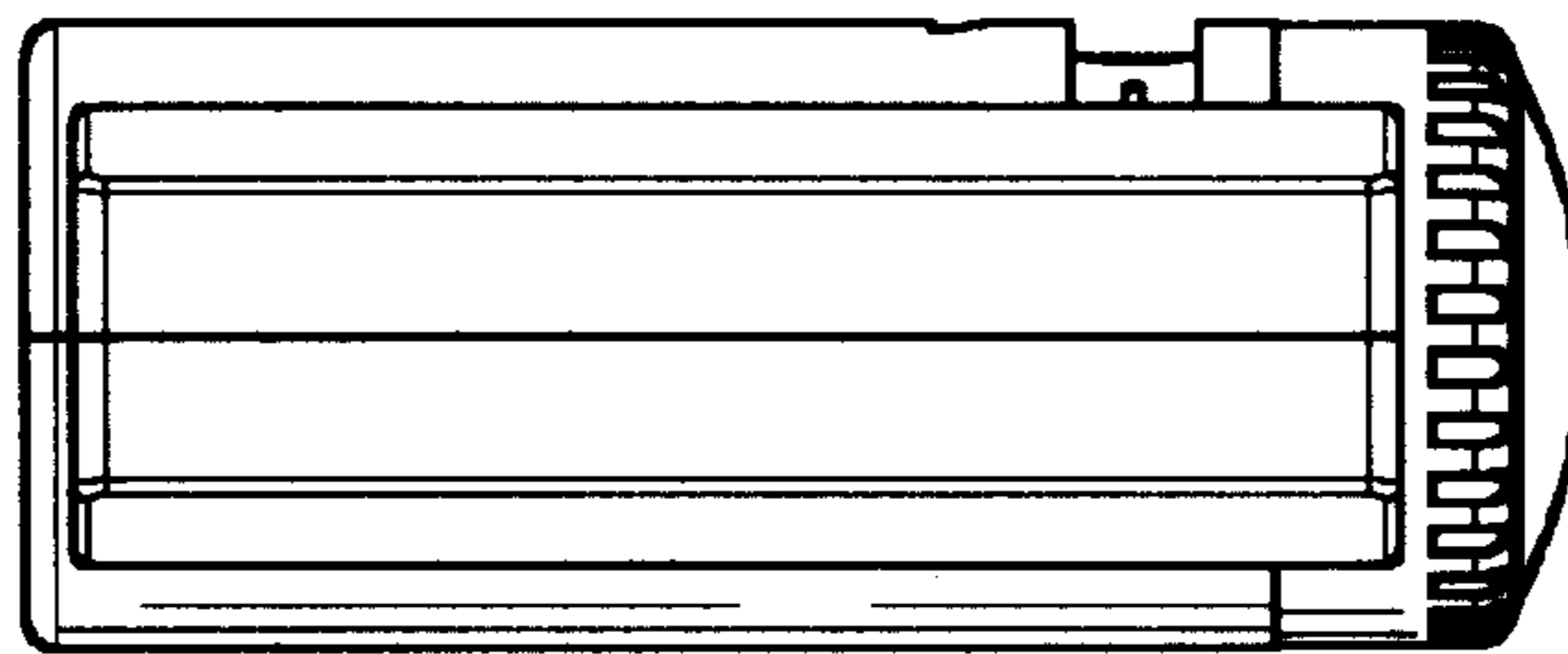


FIG 7