



US00D473120S

(12) **United States Design Patent**
Lind et al.

(10) **Patent No.:** **US D473,120 S**

(45) **Date of Patent:** **** Apr. 15, 2003**

(54) **CHUCK**

(75) Inventors: **Jason Lind**, Simsbury, CT (US); **Bob Pjevach**, Lindenhurst, IL (US); **Marcus Burzynski**, Glendale Heights, IL (US); **Brady Groth**, Evanston, IL (US)

(73) Assignee: **S-B Power Tool Company**, Chicago, IL (US)

(**) Term: **14 Years**

(21) Appl. No.: **29/155,674**

(22) Filed: **Feb. 13, 2002**

(51) **LOC (7) Cl.** **08-05**

(52) **U.S. Cl.** **D8/70**

(58) **Field of Search** D8/70, 68, 69;
D15/140; 279/60, 61, 62, 63, 64, 65, 66,
157, 901, 902; 408/56, 240

(56) **References Cited**

U.S. PATENT DOCUMENTS

- 1,979,652 A * 11/1934 Taylor 279/61
- 2,784,976 A * 3/1957 Ondeck 279/902
- 3,692,321 A * 9/1972 Shattuck 279/60
- 3,813,827 A * 6/1974 Bloch 408/240
- D342,878 S * 1/1994 Watanabe et al. D8/68

- D349,029 S * 7/1994 Matsunaga et al. D8/69
- D421,615 S * 3/2000 Argo et al. D8/70
- D426,760 S * 6/2000 Schultz D8/68
- D427,216 S * 6/2000 Miles et al. D15/140

OTHER PUBLICATIONS

impact wrench chuck, Rigid Supreme Chucks and Power Tool catalogue, p. 7, Ridge Tool Co.*

* cited by examiner

Primary Examiner—Doris V. Coles

Assistant Examiner—T. Chase Nelson

(74) *Attorney, Agent, or Firm*—Leo H McCormick, Jr.; Warren Comstock

(57) **CLAIM**

The ornamental design for a chuck, as shown and described.

DESCRIPTION

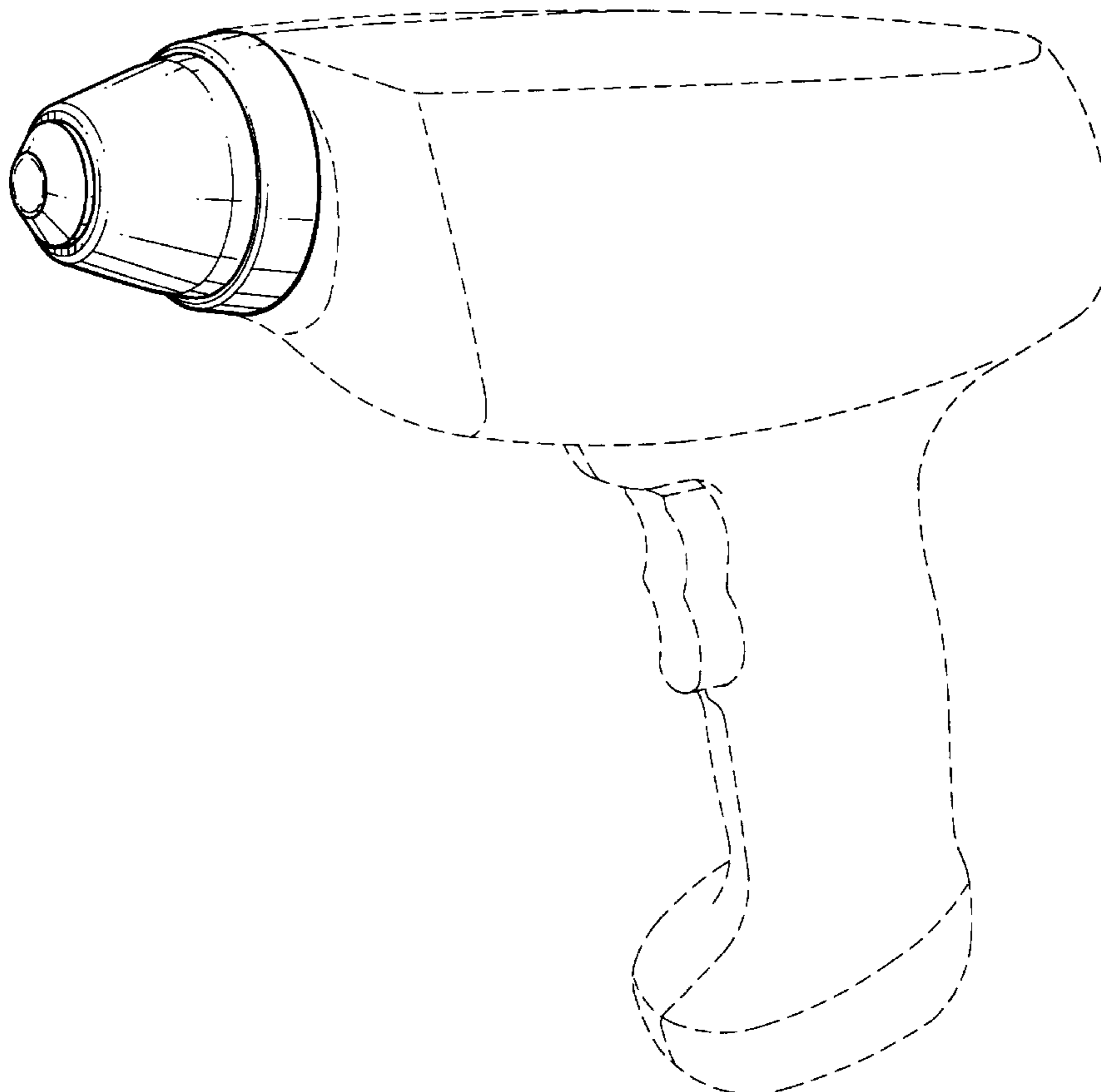
FIG. 1 is a perspective view of a chuck showing my new design;

FIG. 2 is a side plan elevation view thereof; and,

FIG. 3 is a front plan elevation thereof.

The tool outlined by the dashed lines in FIGS. 1–3 is included to illustrate an associated use and forms no part of the claimed invention.

1 Claim, 3 Drawing Sheets



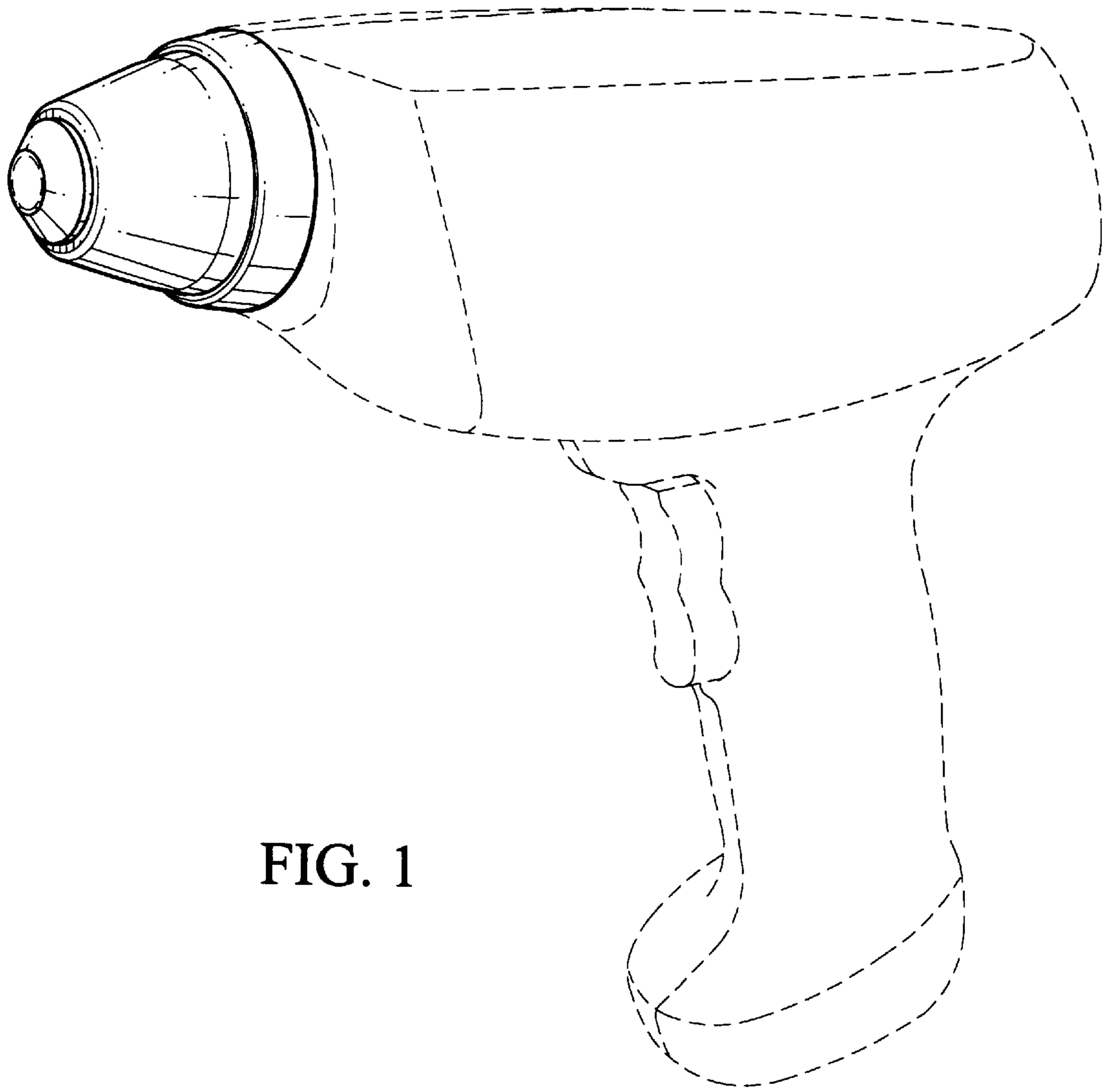


FIG. 1

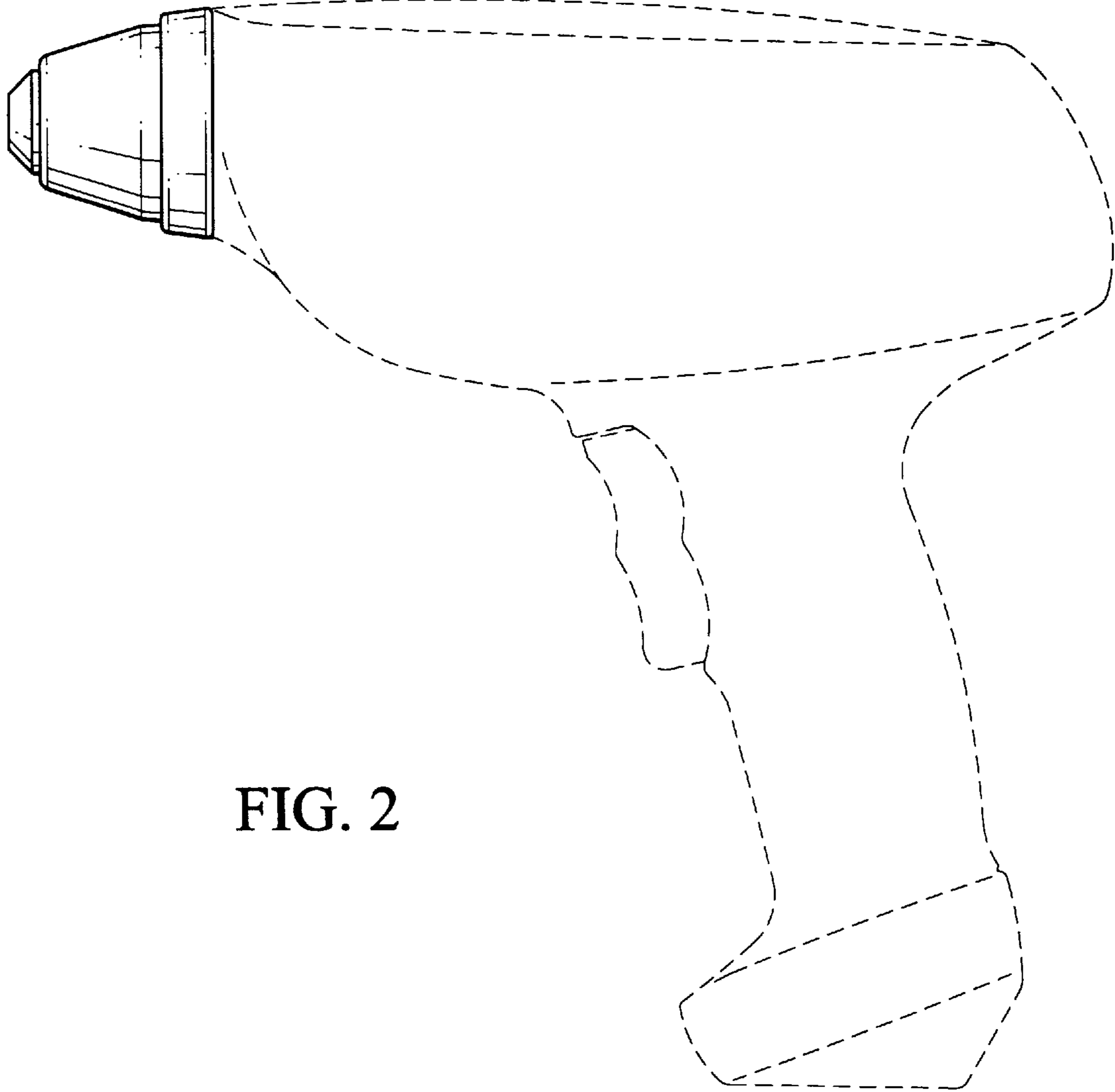


FIG. 2

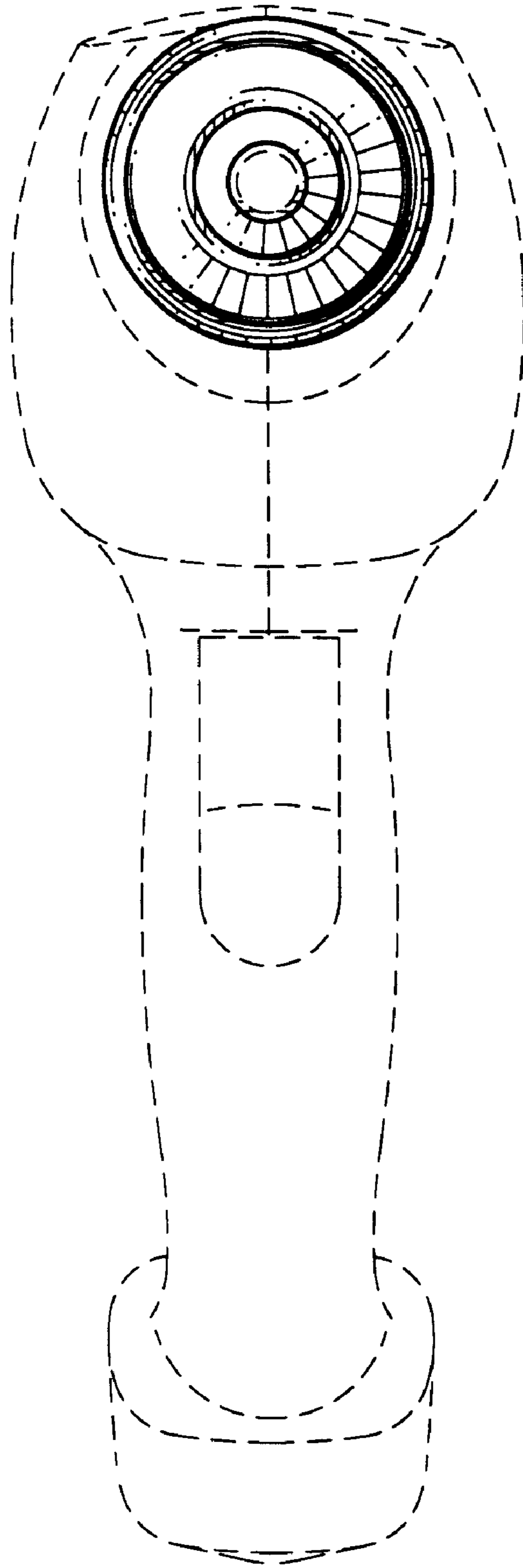


FIG. 3