



US00D473119S

(12) **United States Design Patent**
Evans

(10) **Patent No.:** **US D473,119 S**

(45) **Date of Patent:** **** Apr. 15, 2003**

(54) **CUTOUT TOOL**

(75) Inventor: **D. Scott Evans**, Mathews, VA (US)

(73) Assignee: **Black & Decker Inc.**, Newark, DE (US)

(**) Term: **14 Years**

(21) Appl. No.: **29/164,372**

(22) Filed: **Jul. 23, 2002**

(51) **LOC (7) Cl.** **08-03**

(52) **U.S. Cl.** **D8/61**

(58) **Field of Search** D8/61, 62, 64, D8/68; 30/272.1, 374, 375, 376, 377, 388, 392, 394, 500; 173/15, 47, 48, 109, 170, 216, 217; 310/47, 50; 408/241 R, 241 S

(56) **References Cited**

U.S. PATENT DOCUMENTS

D364,790 S	12/1995	Duennes	D8/61
5,813,805 A	9/1998	Kopras		
5,829,931 A	11/1998	Doumani		
D415,941 S	11/1999	Lui	D8/64
D437,757 S	2/2001	Thomson et al.	D8/61
D438,076 S	2/2001	Wikle et al.	D8/61

D439,122 S	3/2001	Adler et al.	D8/61
D439,484 S	3/2001	Adler et al.	D8/69
D447,030 S	8/2001	Chen	D8/61
D448,263 S	* 9/2001	Heun	D8/67
D453,460 S	* 2/2002	Lui	D8/62
D455,326 S	* 4/2002	Schoen	D8/61

* cited by examiner

Primary Examiner—Doris V. Coles

Assistant Examiner—Elizabeth A. Albert

(74) *Attorney, Agent, or Firm*—Bruce S. Shapiro; John D. DelPonti; Charles E. Yocum

(57) **CLAIM**

The ornamental design for a cutout tool, as shown and described.

DESCRIPTION

FIG. 1 is a right side perspective view of a cutout tool showing my new design.

FIG. 2 is a right side elevational view of FIG. 1.

FIG. 3 is a left side elevational view of FIG. 1.

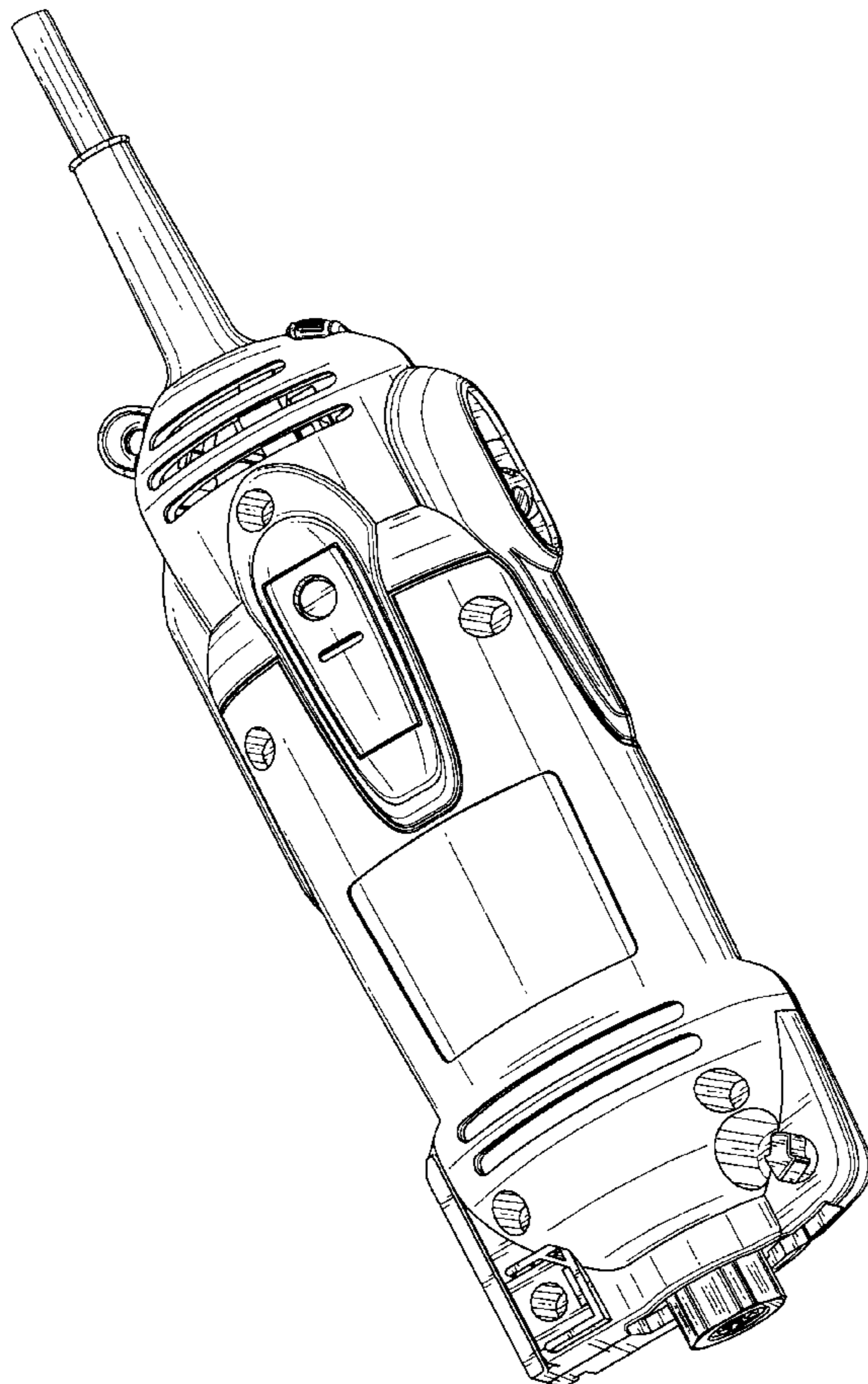
FIG. 4 is a front elevational view of FIG. 1.

FIG. 5 is a rear elevational view of FIG. 1.

FIG. 6 is a top plan view of FIG. 1; and,

FIG. 7 is a bottom plan view of FIG. 1.

1 Claim, 6 Drawing Sheets



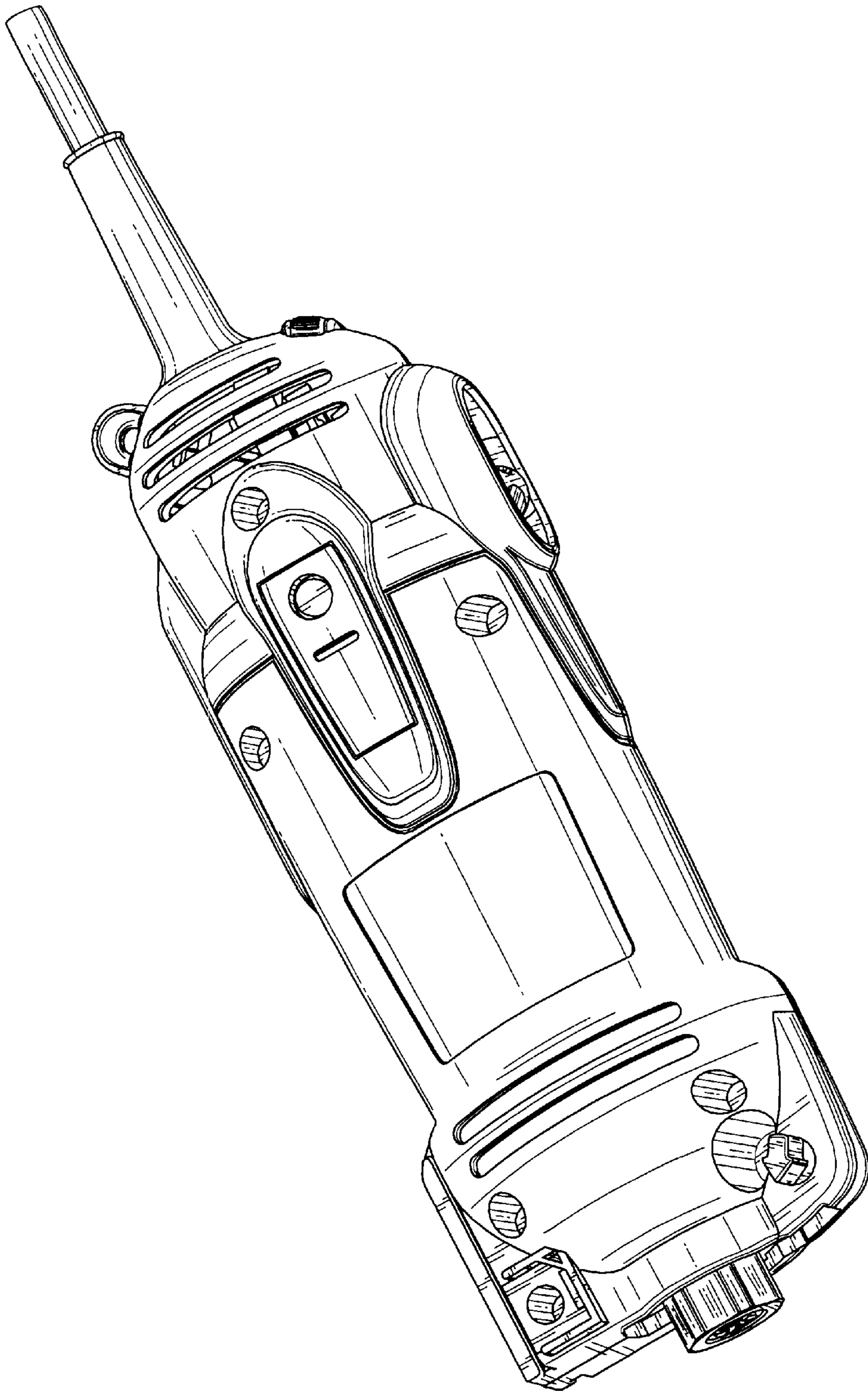


FIG. 1

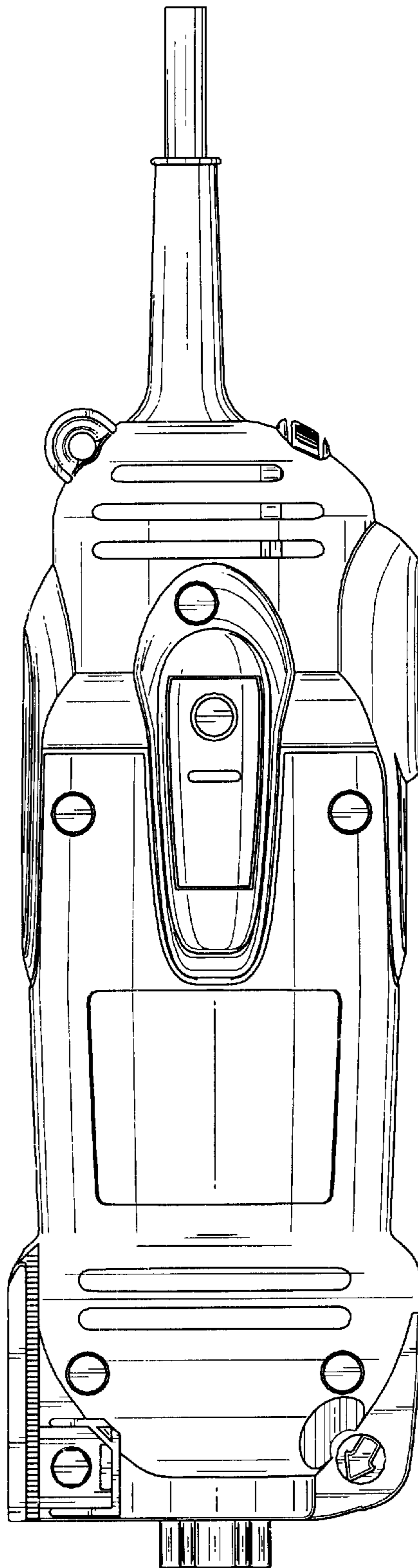


FIG. 2

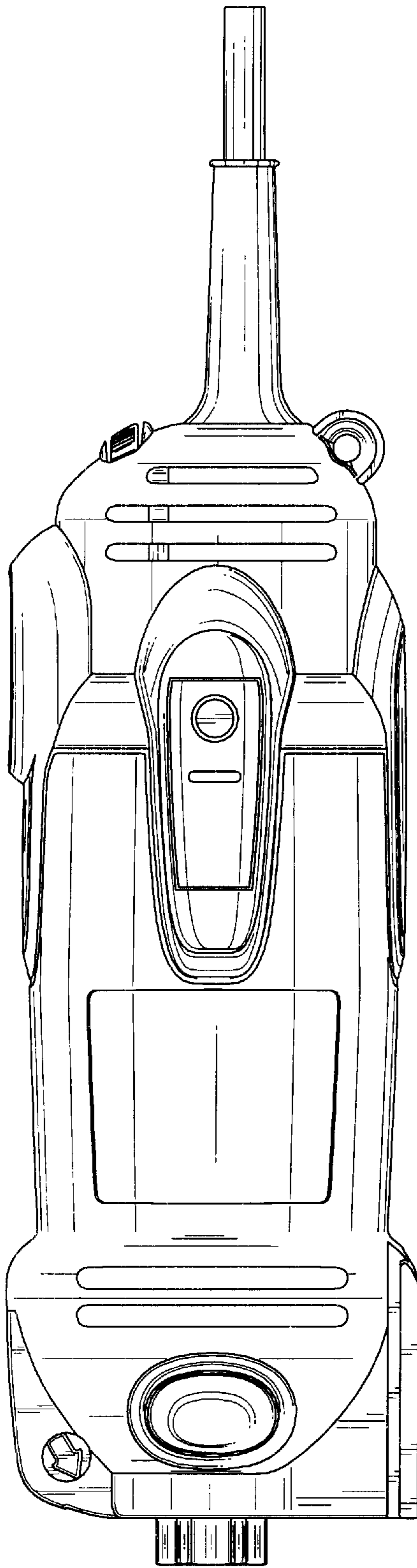


FIG. 3

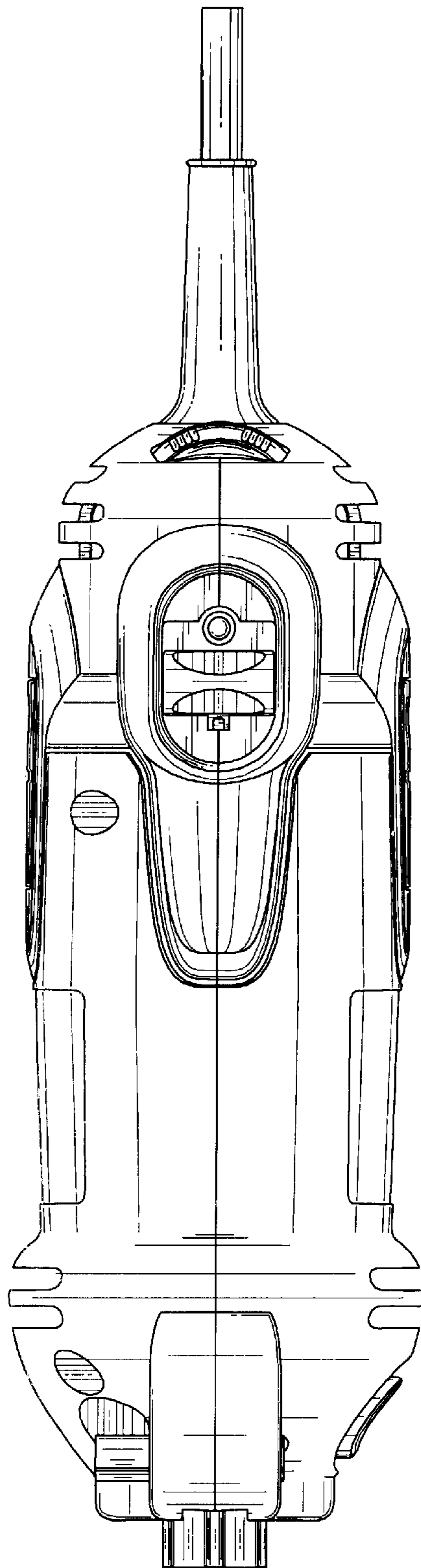


FIG. 4

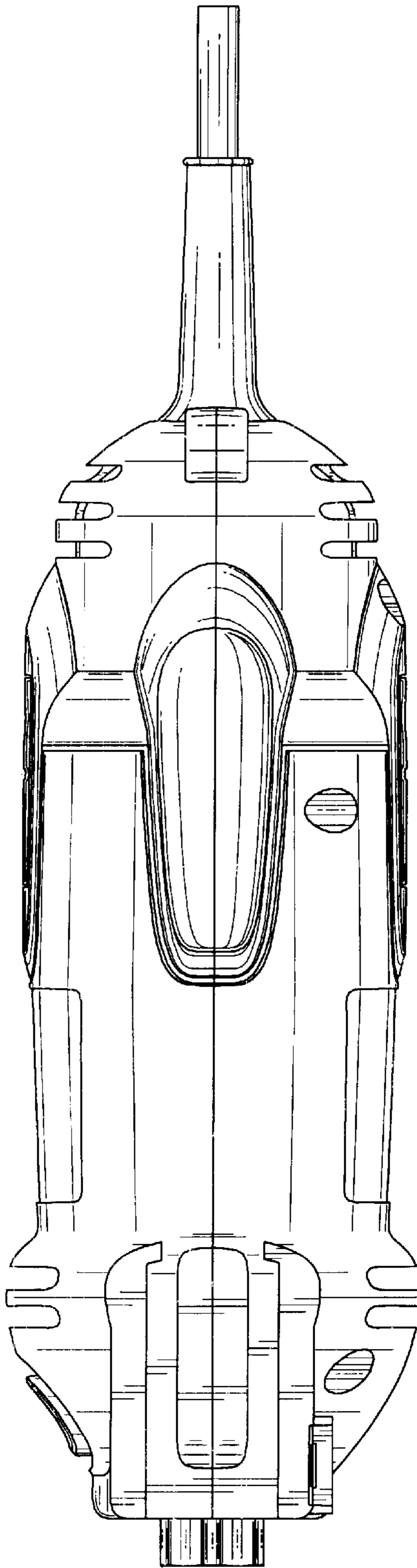


FIG. 5

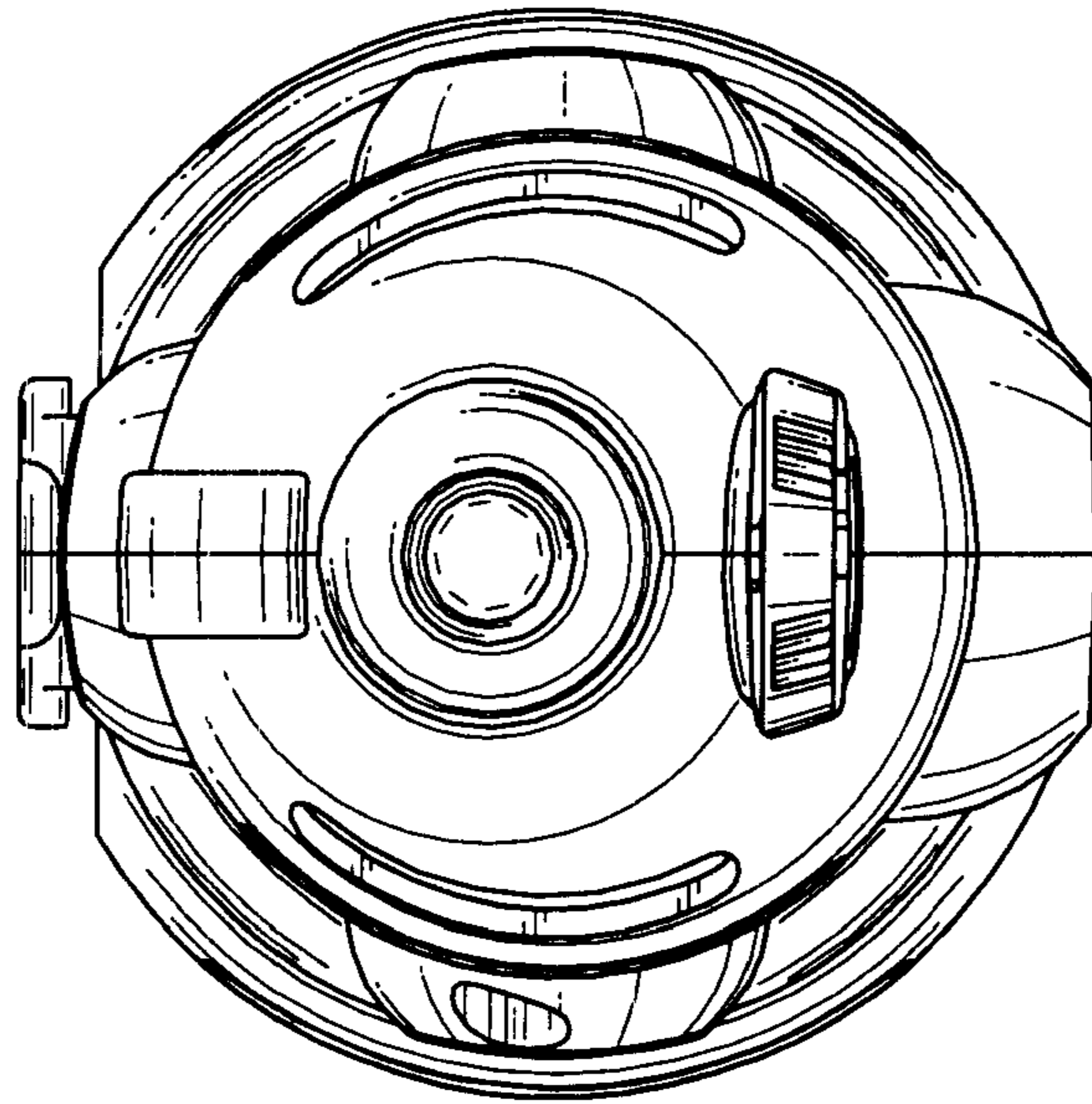


FIG. 6

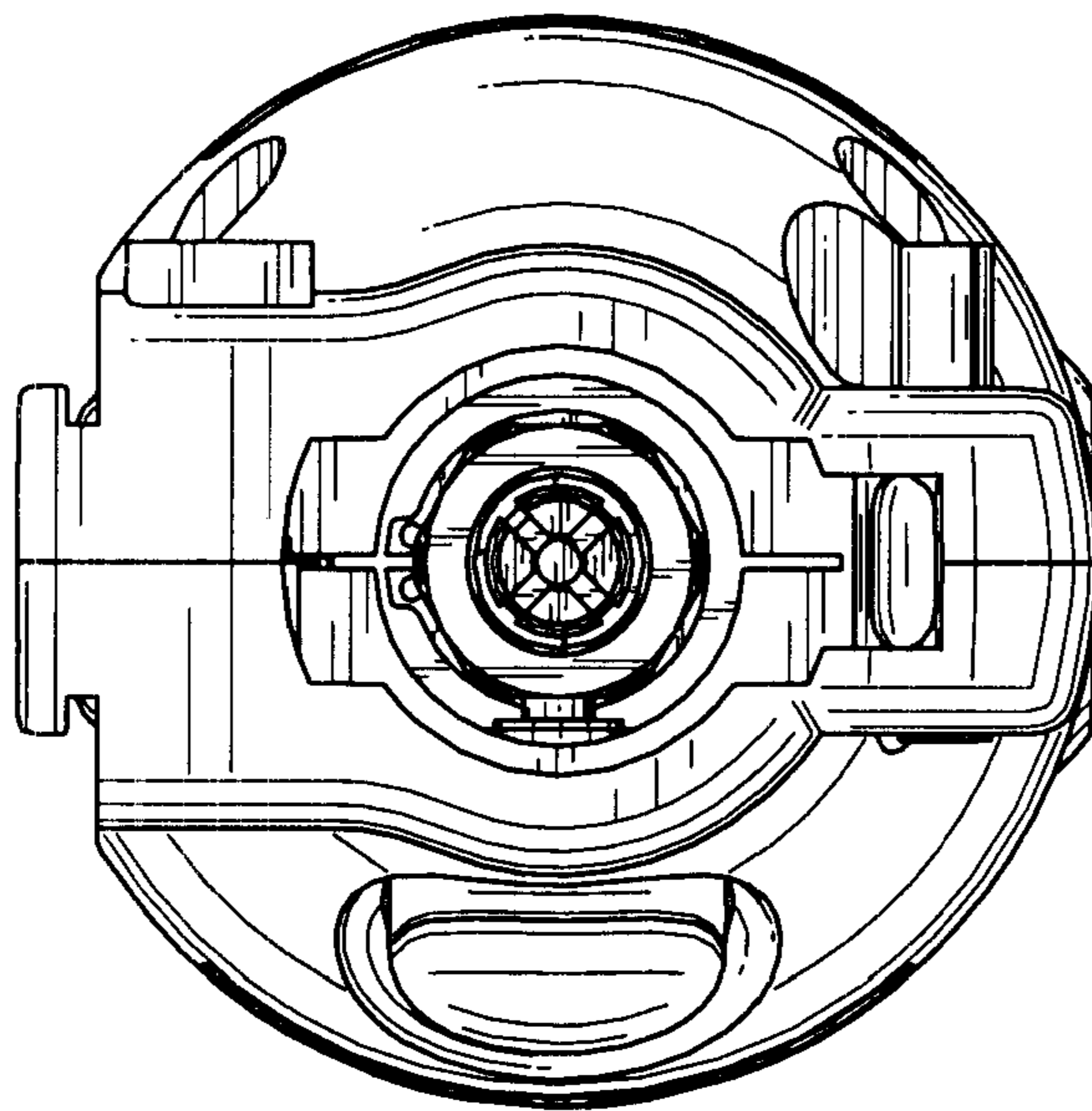


FIG. 7