



US00D473116S

(12) **United States Design Patent**
Jong

(10) **Patent No.:** **US D473,116 S**

(45) **Date of Patent:** **** Apr. 15, 2003**

(54) **HEDGE TRIMMER**

(75) Inventor: **Jung-Chang Jong**, Chungli (TW)

(73) Assignee: **Jenn Feng Industrial Co., Ltd.**,
Ping-Chang (TW)

(**) Term: **14 Years**

(21) Appl. No.: **29/161,970**

(22) Filed: **Jun. 10, 2002**

(51) **LOC (7) Cl.** **08-01**

(52) **U.S. Cl.** **D8/8**

(58) **Field of Search** D8/8, 9; 30/276,
30/228, 216

(56) **References Cited**

U.S. PATENT DOCUMENTS

- D307,098 S * 4/1990 Clivio D8/8
- D325,856 S * 5/1992 Gierke D8/8
- D351,096 S * 10/1994 Gierke D8/8

- D382,451 S * 8/1997 Kikuchi D8/8
- D421,700 S * 3/2000 Yamane et al. D8/8

* cited by examiner

Primary Examiner—Robin V. Taylor

(74) *Attorney, Agent, or Firm*—Browdy and Neimark,
P.L.L.C.

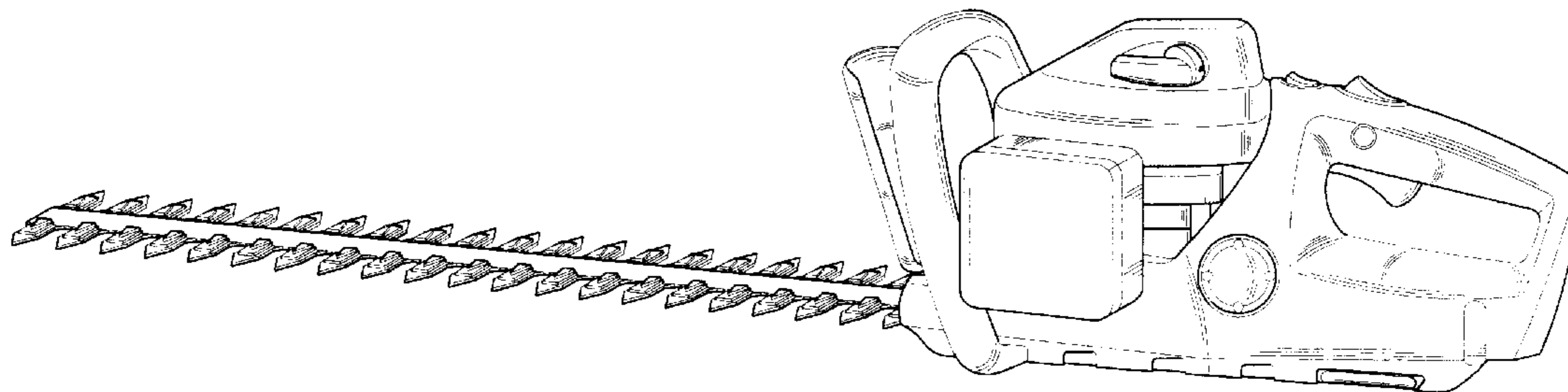
(57) **CLAIM**

The ornamental design for hedge trimmer, as shown and described.

DESCRIPTION

FIG. 1 is a perspective view of hedge trimmer showing my new design;
 FIG. 2 is a front elevational view thereof;
 FIG. 3 is a rear elevational view thereof;
 FIG. 4 is a left side elevational view thereof;
 FIG. 5 is a right side elevational view thereof;
 FIG. 6 is a top view thereof; and,
 FIG. 7 is a bottom view thereof.

1 Claim, 7 Drawing Sheets



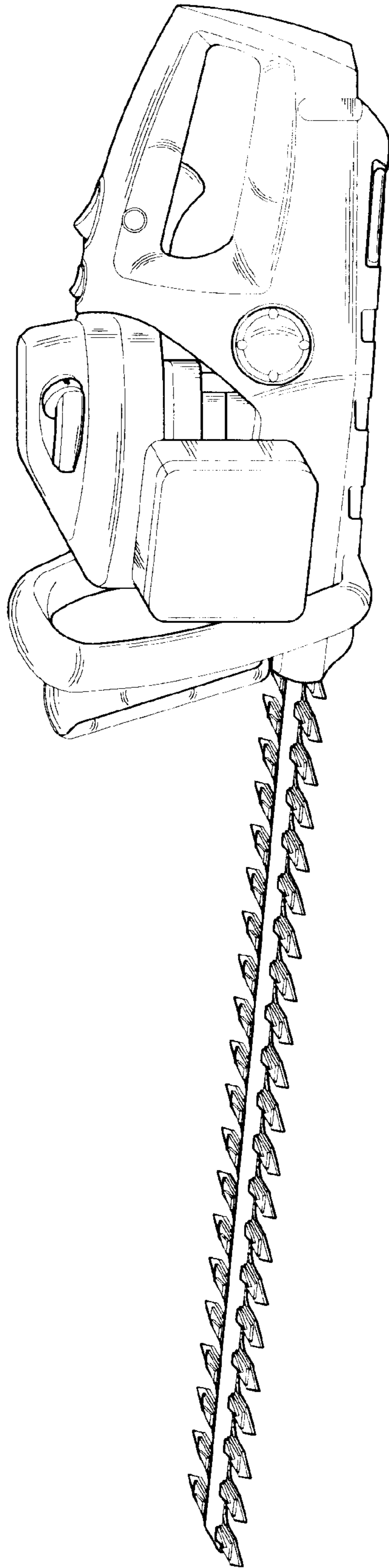


FIG. 1

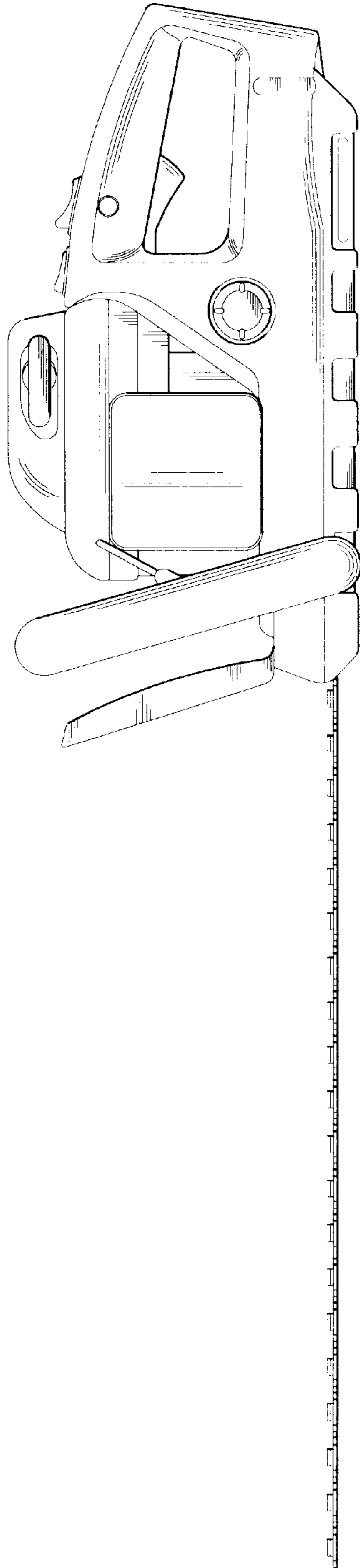


FIG. 2

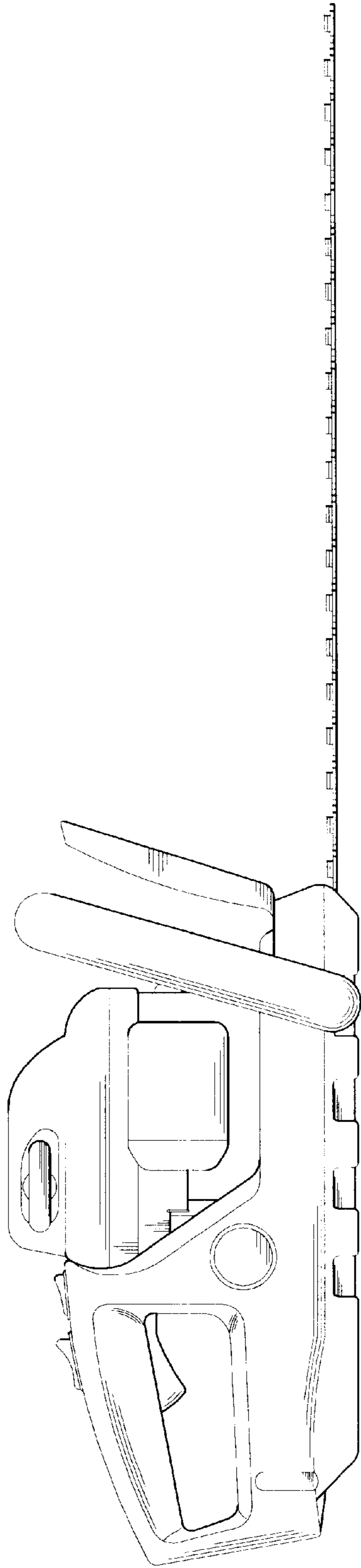


FIG. 3

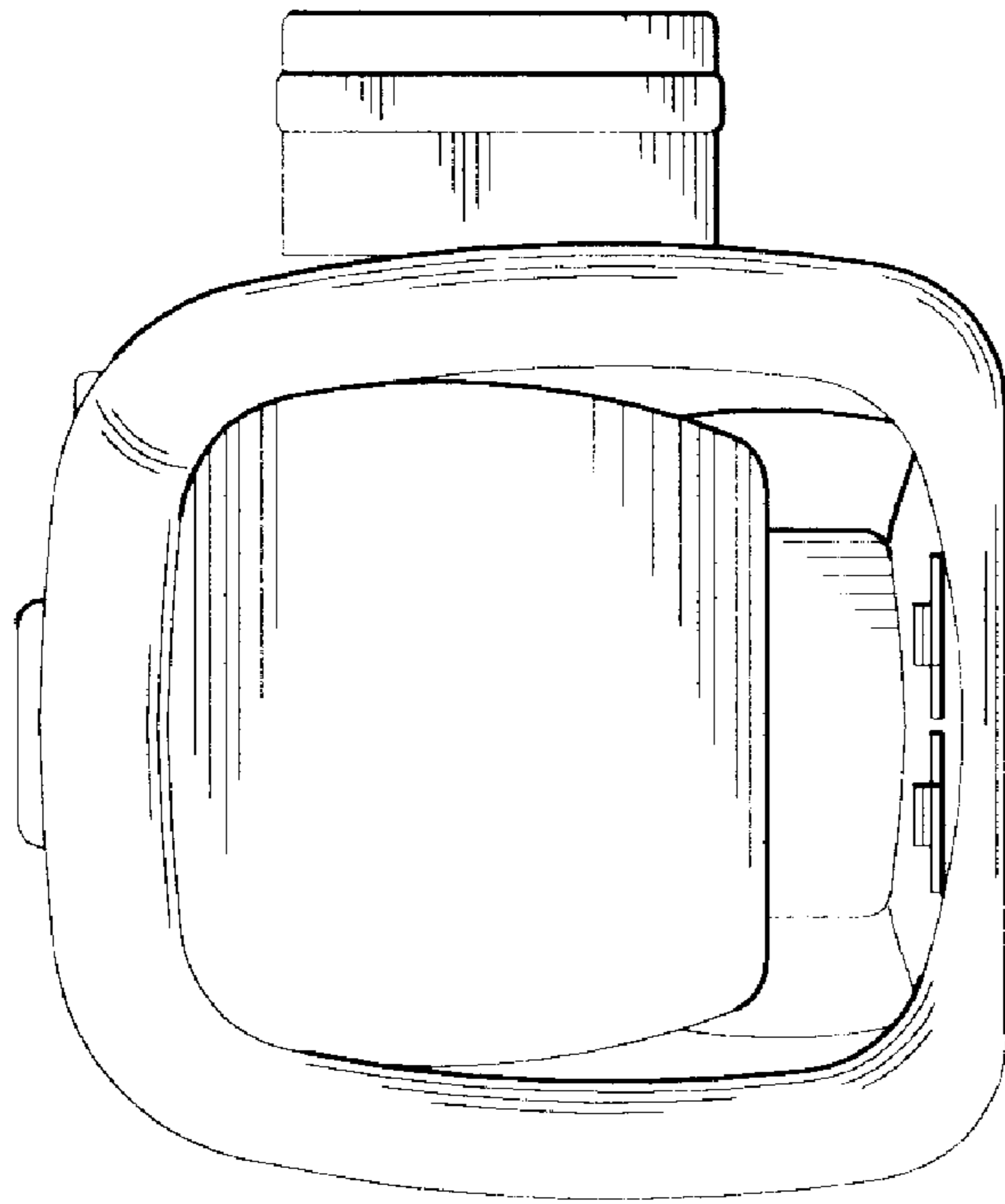


FIG. 4

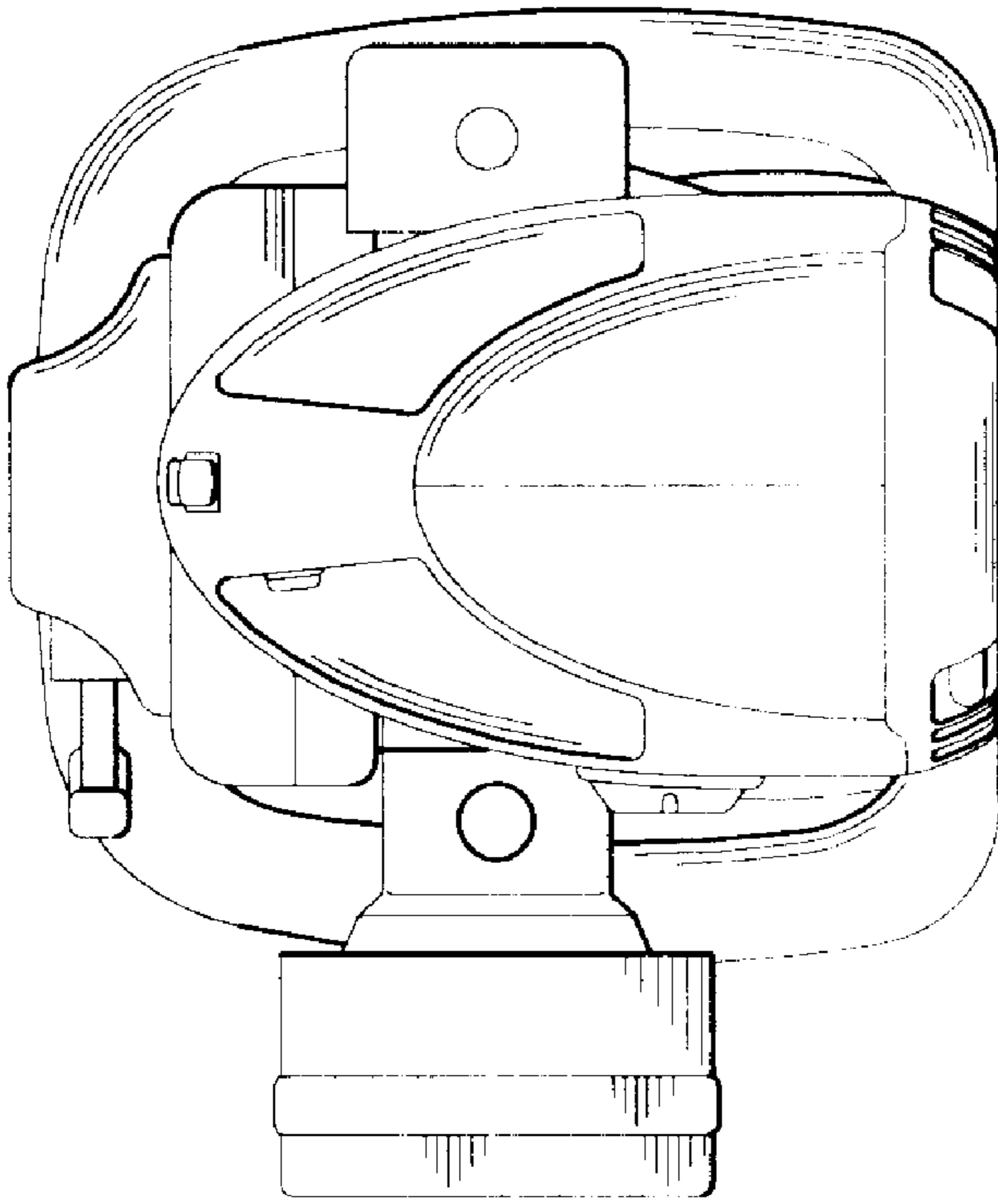


FIG. 5

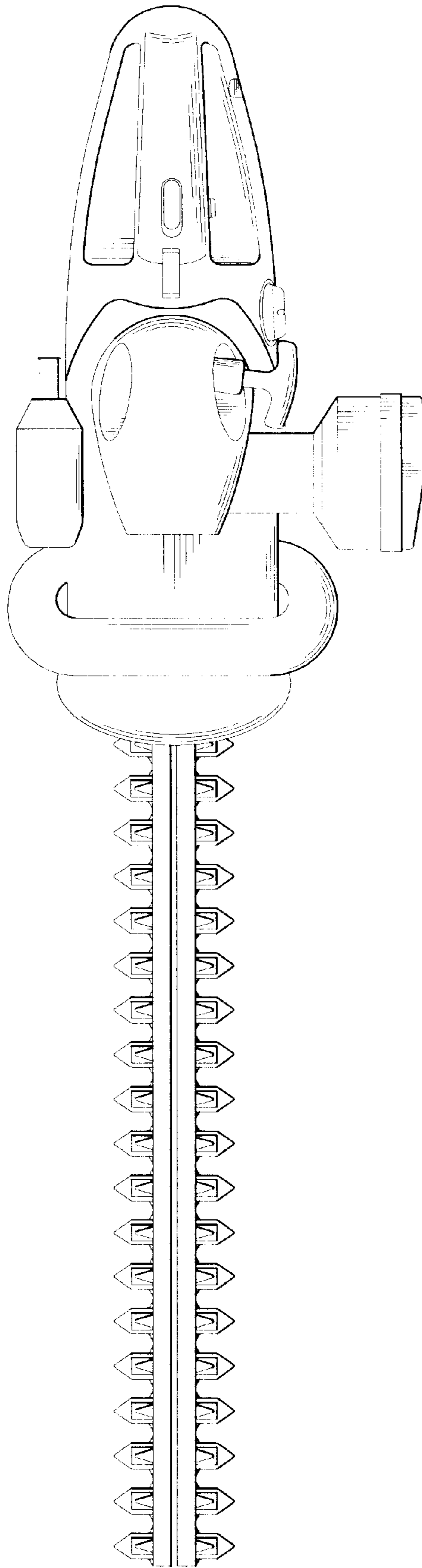


FIG. 6

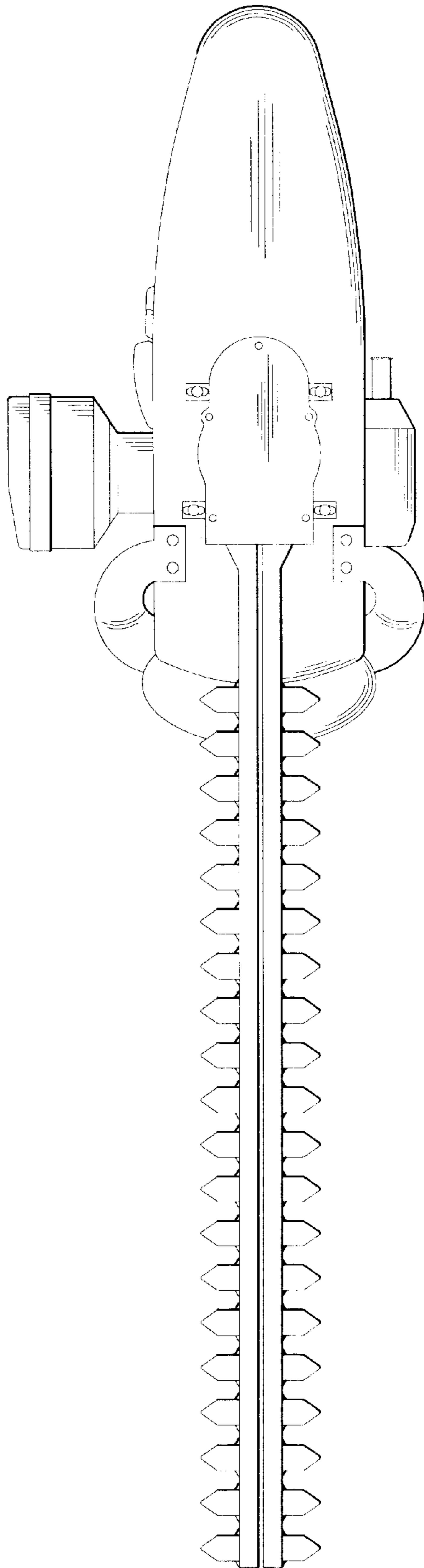


FIG. 7