



US00D473115S

(12) **United States Design Patent**
Van Wambeke et al.

(10) **Patent No.:** **US D473,115 S**

(45) **Date of Patent:** **** Apr. 15, 2003**

(54) **VEGETATION TRIMMER HANDLE**

D382,778 S * 8/1997 Meisner et al. D8/8
6,116,349 A * 9/2000 Wilson 172/14

(75) Inventors: **Weston J. Van Wambeke**,
Cockeysville, MD (US); **Sean David
Wilkinson**, Brockville (CA); **Richard
P. Rosa**, Kingston (CA); **Marta J.
Acuña**, Baltimore, MD (US)

* cited by examiner

Primary Examiner—Robin V. Taylor
(74) *Attorney, Agent, or Firm*—Harness, Dickey & Pierce,
P.L.C.

(73) Assignee: **Black & Decker Inc.**, Newark, DE
(US)

(57) **CLAIM**

(**) Term: **14 Years**

The ornamental design for a vegetation trimmer handle, as
shown and described.

(21) Appl. No.: **29/161,799**

DESCRIPTION

(22) Filed: **Jun. 4, 2002**

FIG. 1 is a perspective view of the handle of the present
invention;

(51) **LOC (7) Cl.** **08-01**

FIG. 2 is a right side view of the handle;

(52) **U.S. Cl.** **D8/8**

FIG. 3 is a left side view of the handle;

(58) **Field of Search** D8/8, 9; 30/DIG. 5,
30/276; 172/13, 14; 56/12.7

FIG. 4 is a front view of the handle;

FIG. 5 is a rear view of the handle;

FIG. 6 is a top view of the handle; and,

FIG. 7 is a bottom view of the handle.

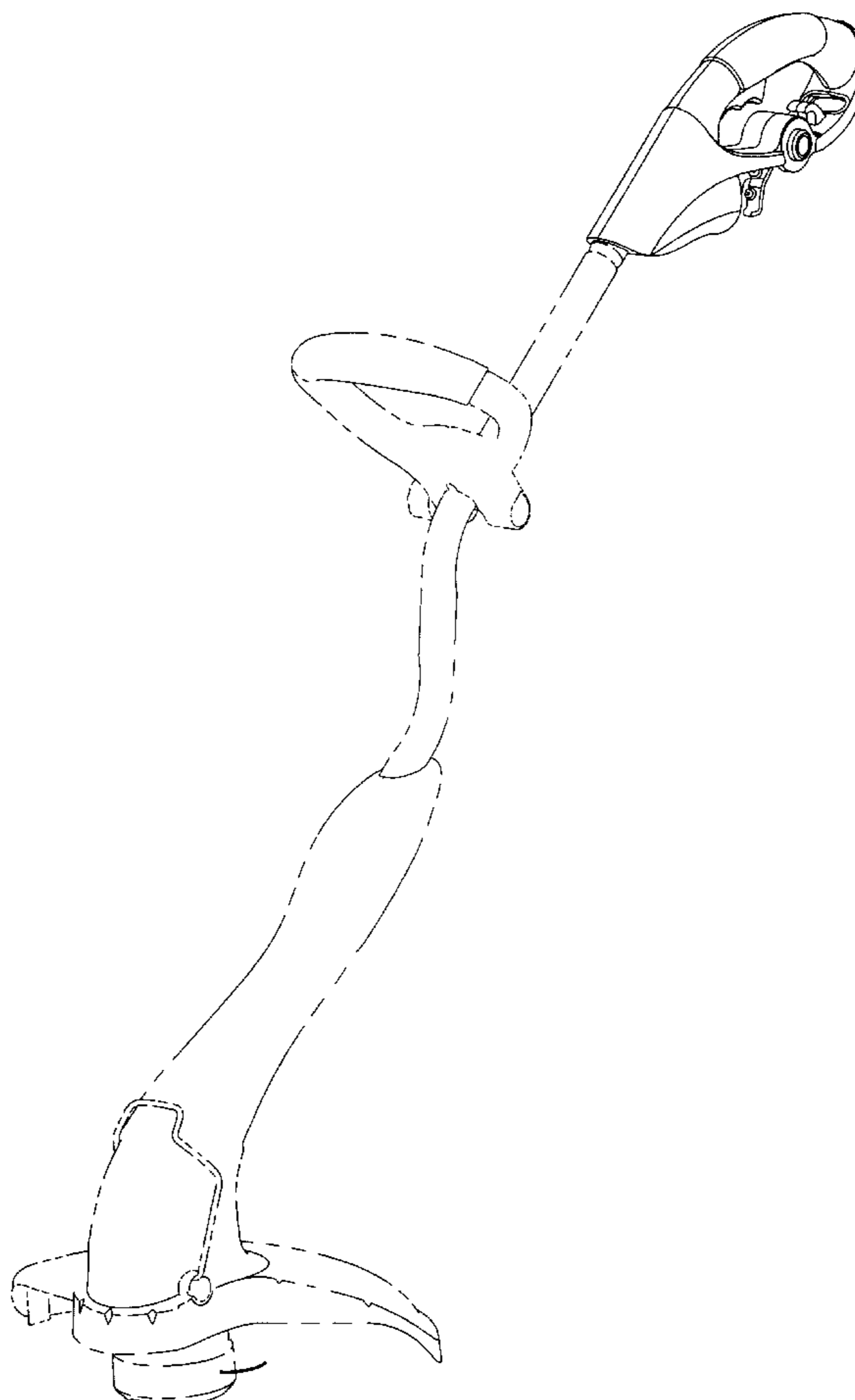
(56) **References Cited**

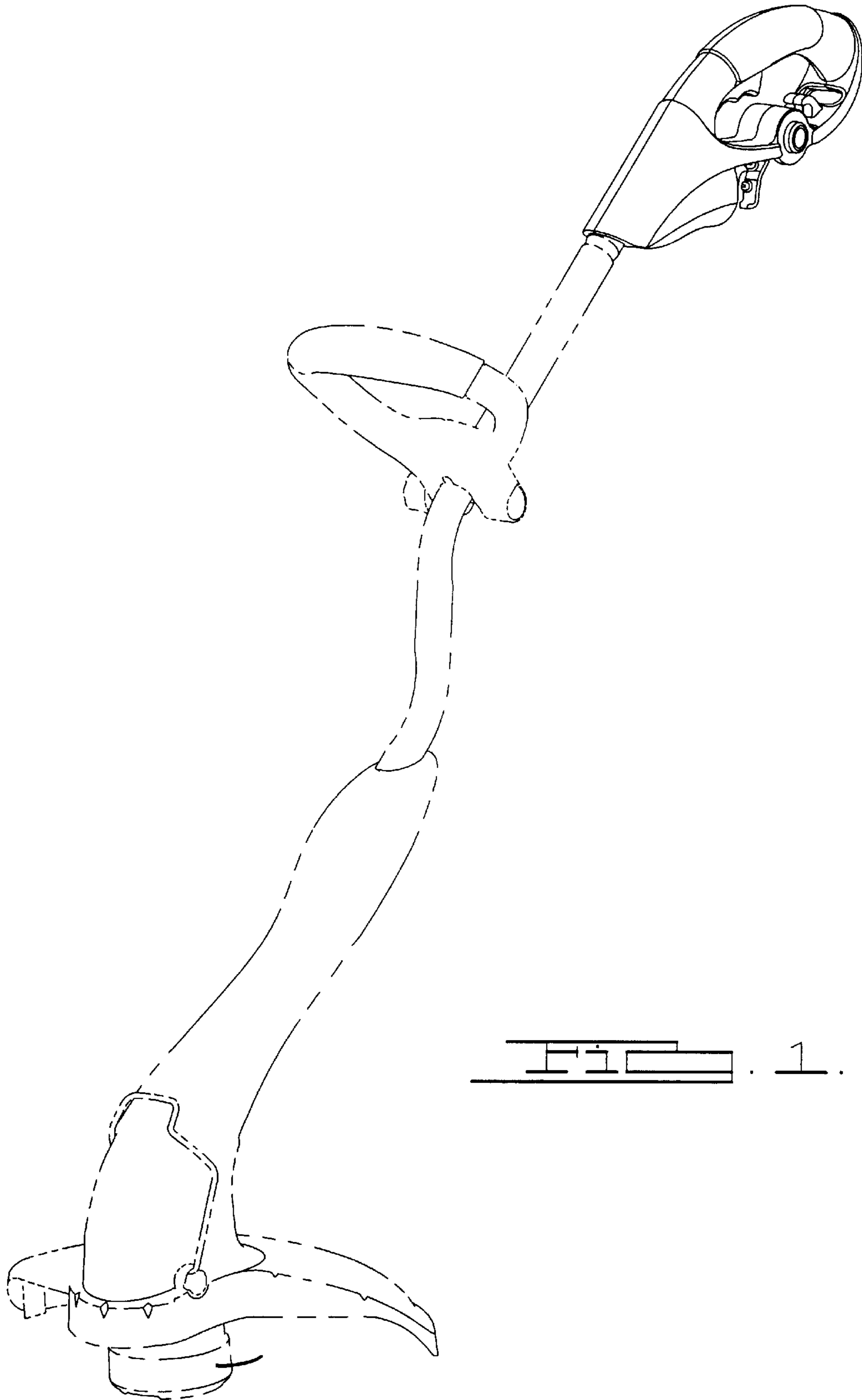
The broken line showing is for illustrative purposes only and
forms no part of the claimed design.

U.S. PATENT DOCUMENTS

D256,769 S * 9/1980 Irelan D8/8
D380,359 S * 7/1997 Meisner et al. D8/8

1 Claim, 3 Drawing Sheets





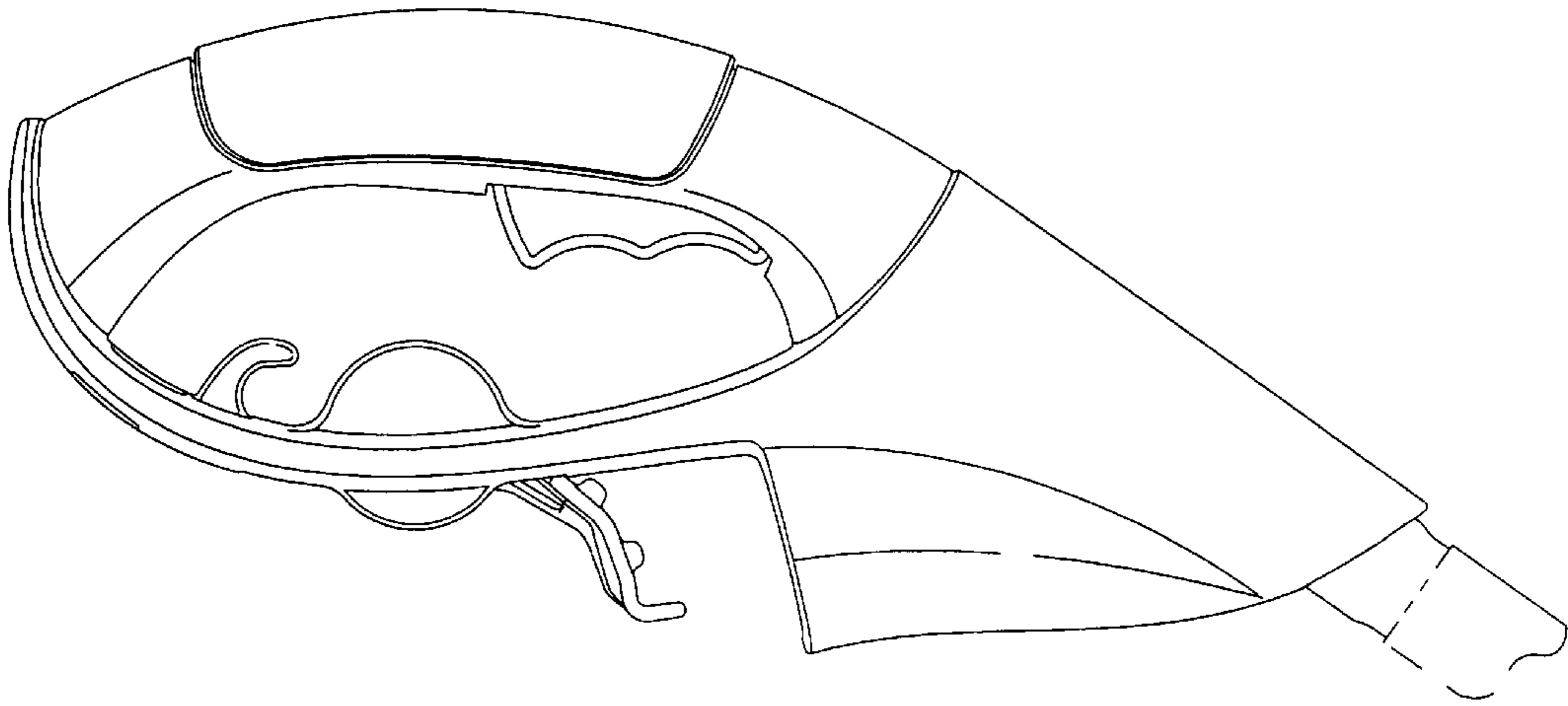


FIG. 2.

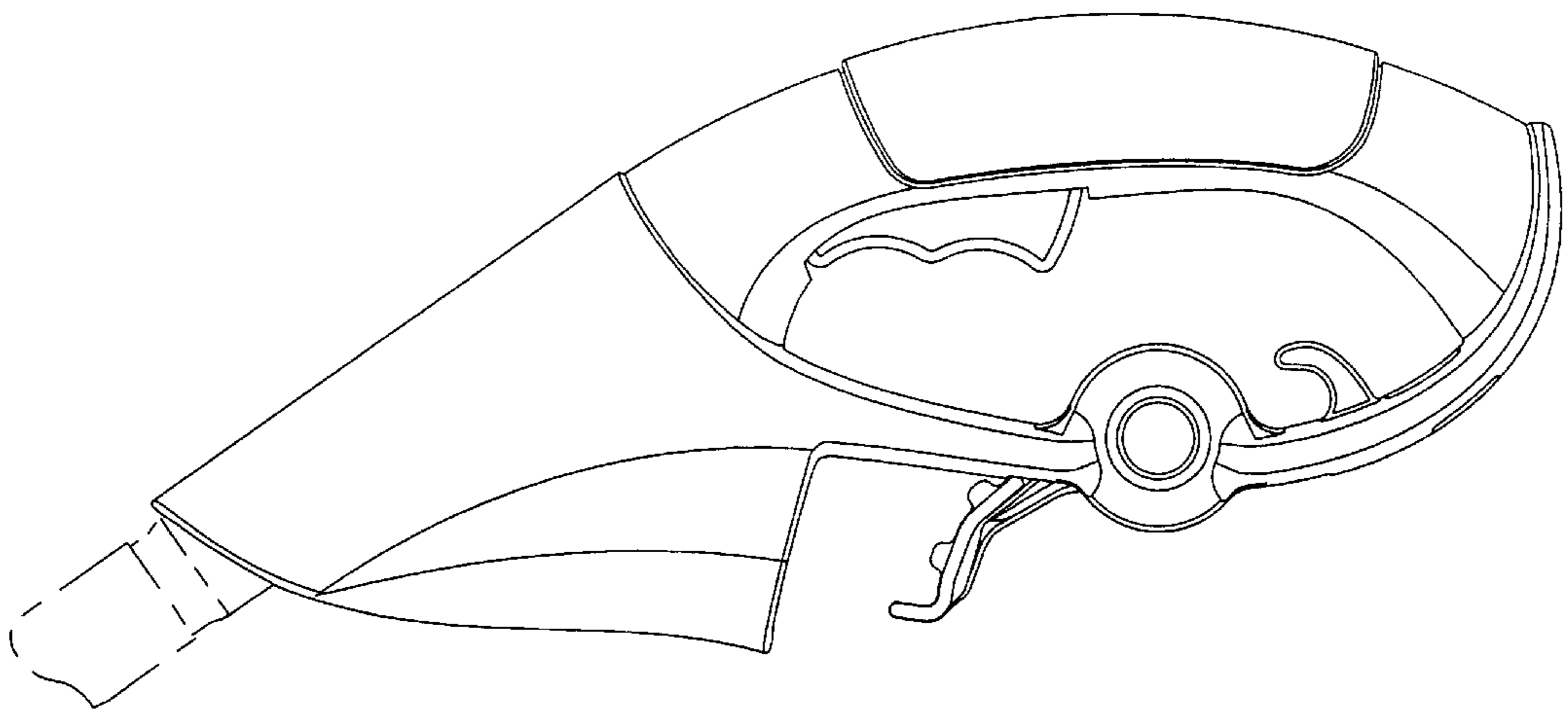


FIG. 3.

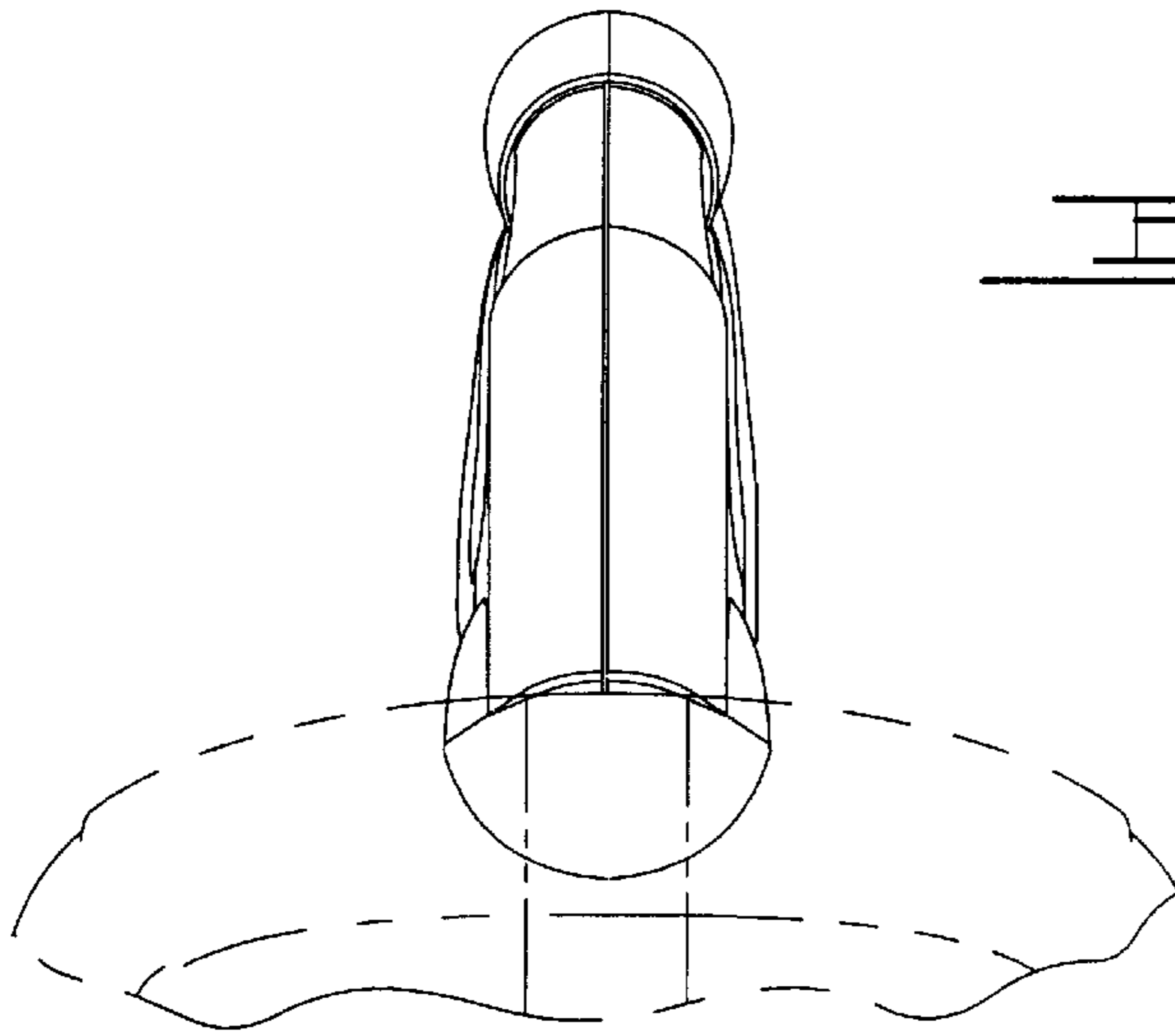


FIG. 4.

FIG. 5.

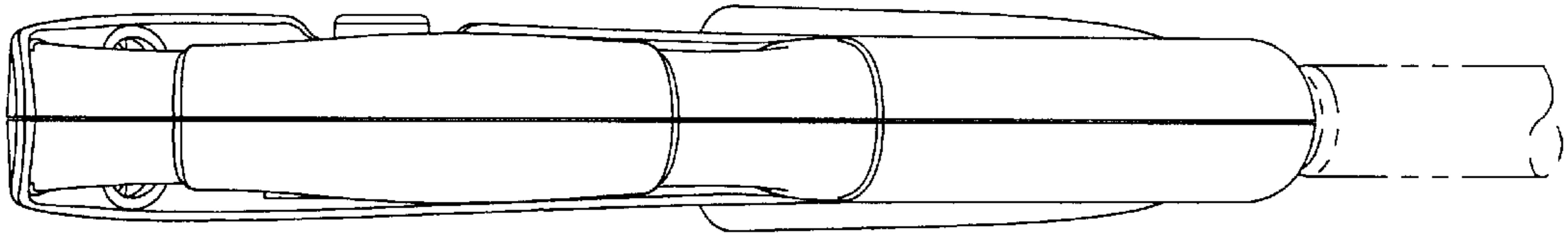
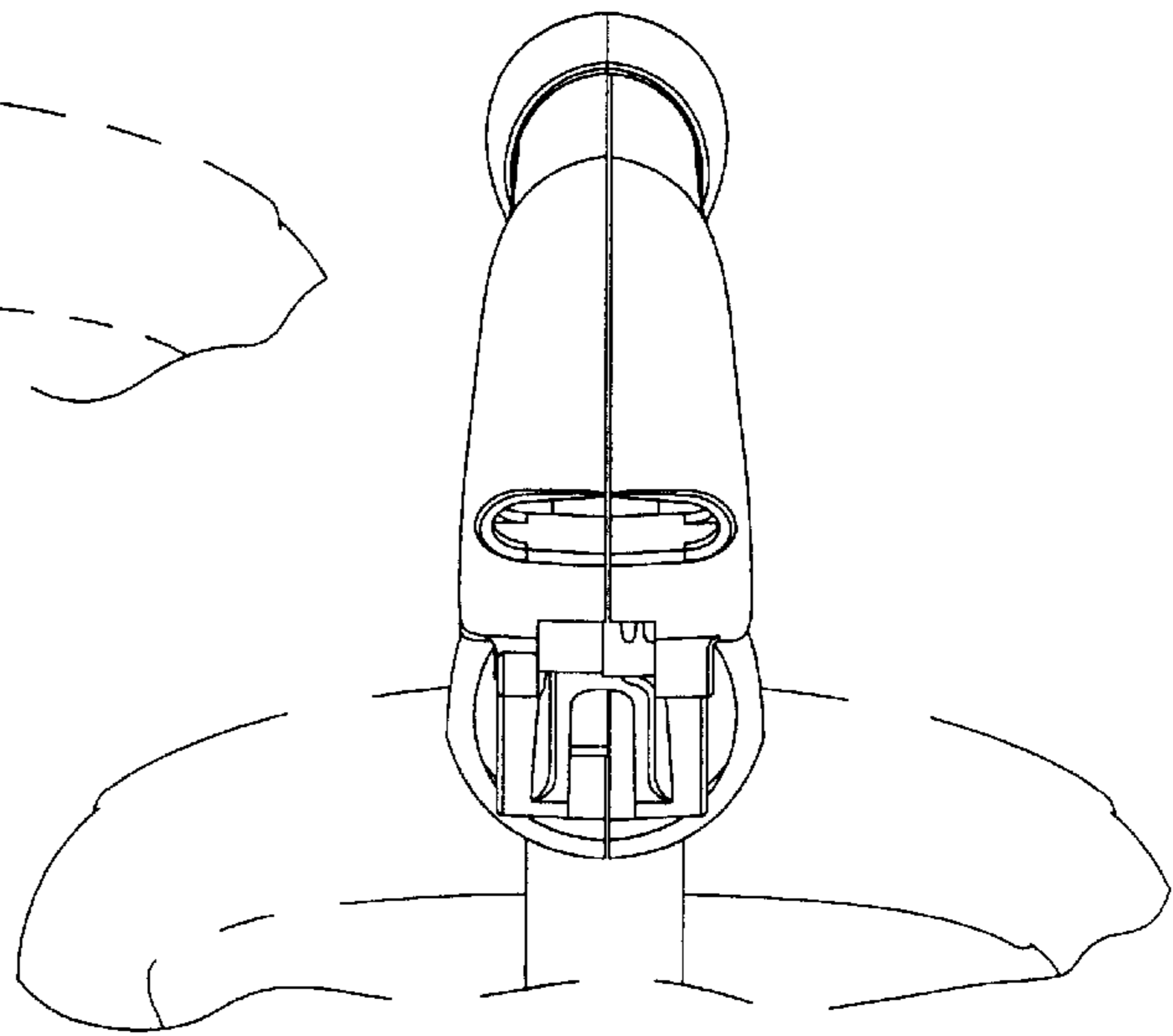


FIG. 6.

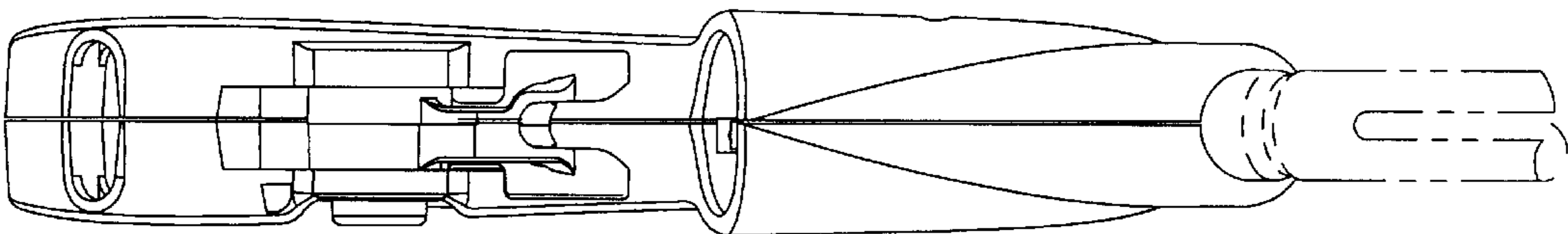


FIG. 7.