



US00D473114S

(12) **United States Design Patent**  
**Van Wambeke et al.**

(10) **Patent No.:** **US D473,114 S**

(45) **Date of Patent:** **\*\* Apr. 15, 2003**

(54) **VEGETATION TRIMMER**

(75) Inventors: **Weston J. Van Wambeke**,  
Cockeysville, MD (US); **Richard P. Rosa**,  
Kingston (CA); **Sean David Wilkinson**,  
Brockville (CA); **David S. Strong**,  
Battersea (CA); **Ted Andrew Kimball**,  
Oxford Station (CA); **Philip T. Cassidy**,  
Kemptville (CA); **Marta J. Acuña**,  
Baltimore, MD (US)

(73) Assignee: **Black & Decker Inc.**,  
Newark, DE (US)

(\*\*) Term: **14 Years**

(21) Appl. No.: **29/161,759**

(22) Filed: **Jun. 4, 2002**

(51) **LOC (7) Cl.** ..... **08-01**

(52) **U.S. Cl.** ..... **D8/8**

(58) **Field of Search** ..... D8/1, 8, 9; 30/276,  
30/DIG. 5; 172/13, 14; 56/12.7

(56) **References Cited**

**U.S. PATENT DOCUMENTS**

D382,450 S \* 8/1997 Meisner et al. .... D8/8

D414,388 S \* 9/1999 Wright ..... D8/8  
D427,861 S \* 7/2000 Cooper et al. .... D8/8  
D440,131 S \* 4/2001 Aglassinger et al. .... D8/8  
D446,699 S \* 8/2001 Marshall et al. .... D8/8

\* cited by examiner

*Primary Examiner*—Robin V. Taylor  
(74) *Attorney, Agent, or Firm*—Harness, Dickey & Pierce,  
P.L.C.

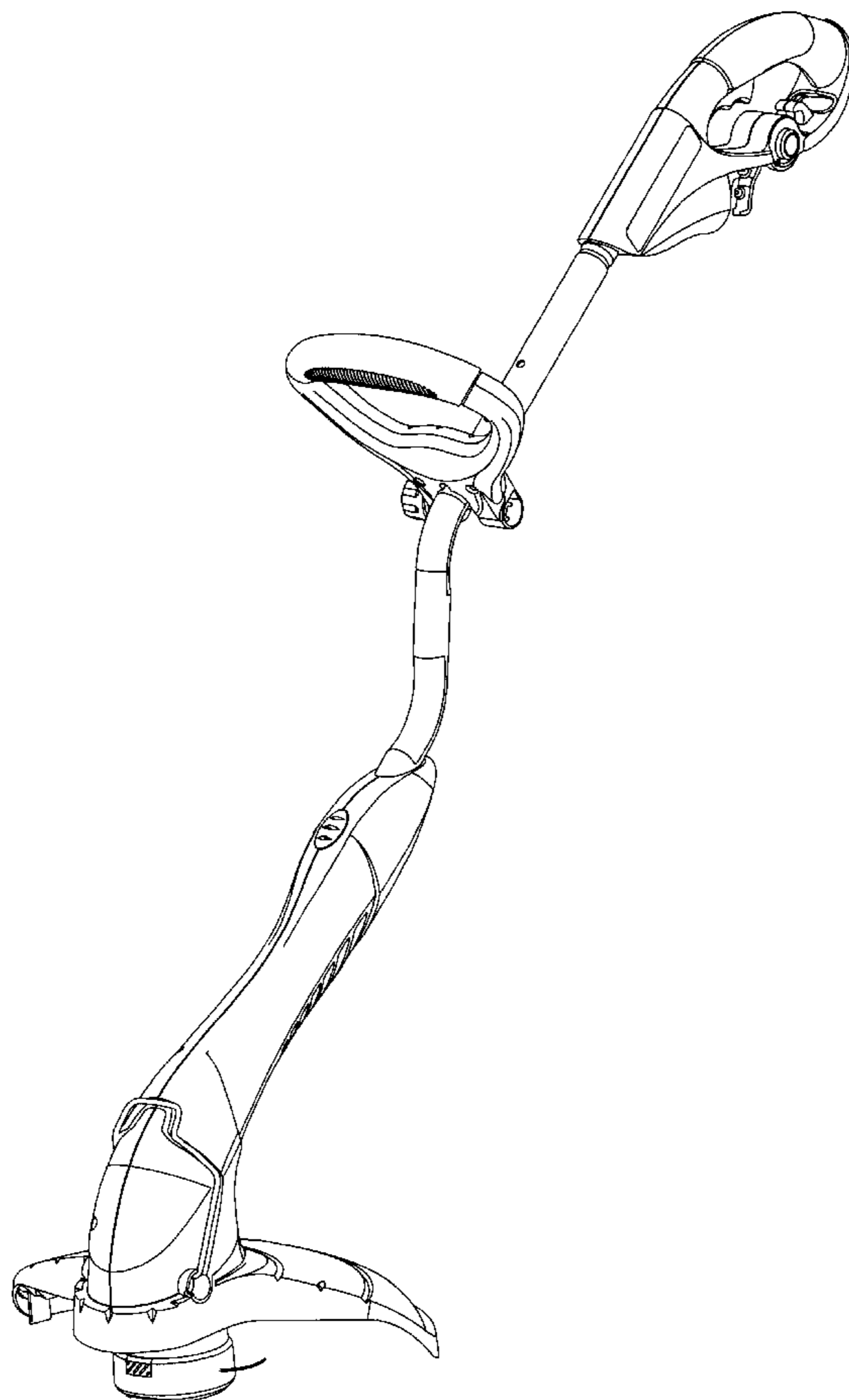
(57) **CLAIM**

The ornamental design for a vegetation trimmer, as shown and described.

**DESCRIPTION**

FIG. 1 is a perspective view of the vegetation trimmer of the present invention;  
FIG. 2 is a right side view of the trimmer;  
FIG. 3 is a front view of the trimmer;  
FIG. 4 is a rear view of the trimmer;  
FIG. 5 is a top view of the trimmer; and,  
FIG. 6 is a bottom view of the trimmer.

**1 Claim, 5 Drawing Sheets**



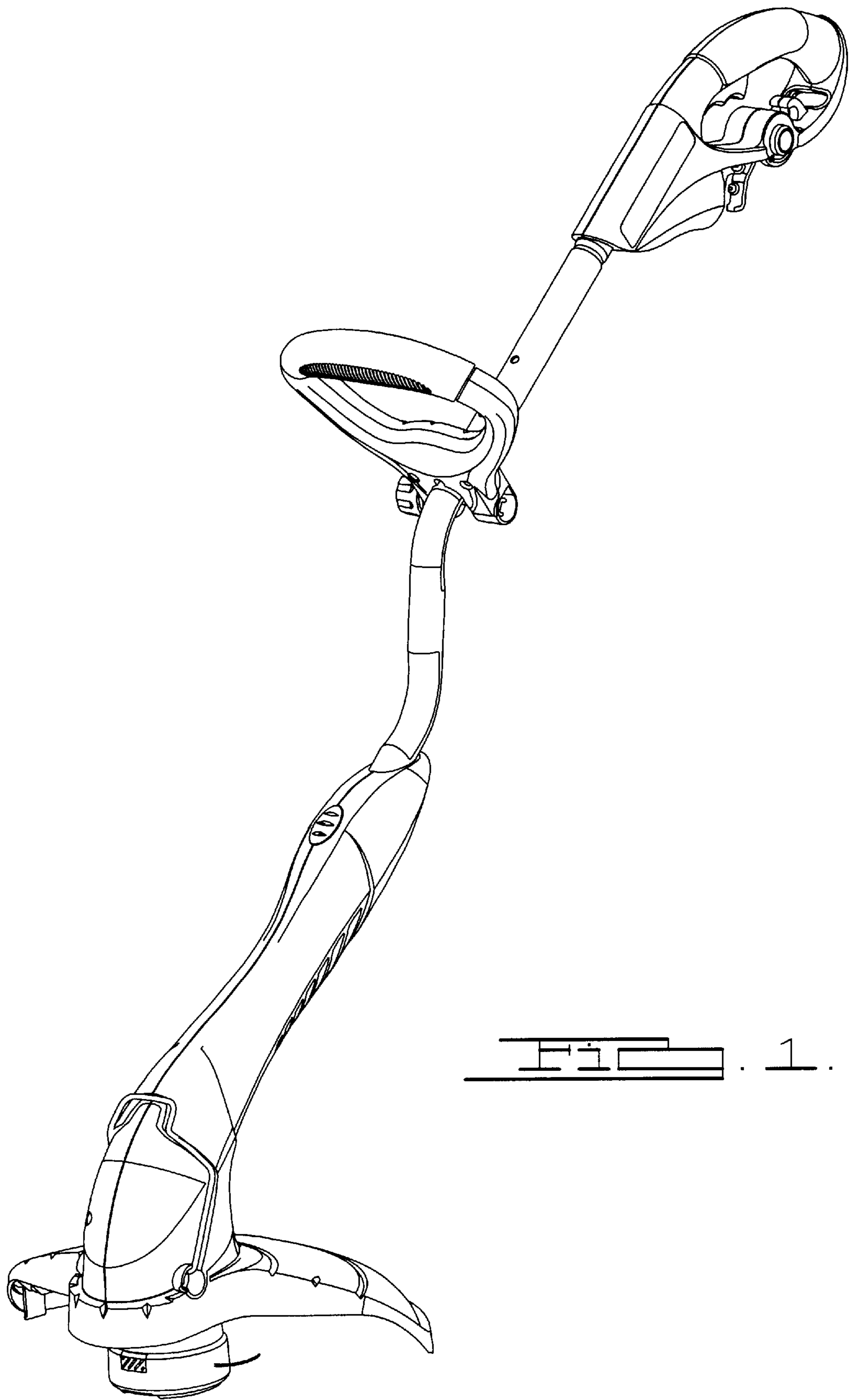


FIG. 1.

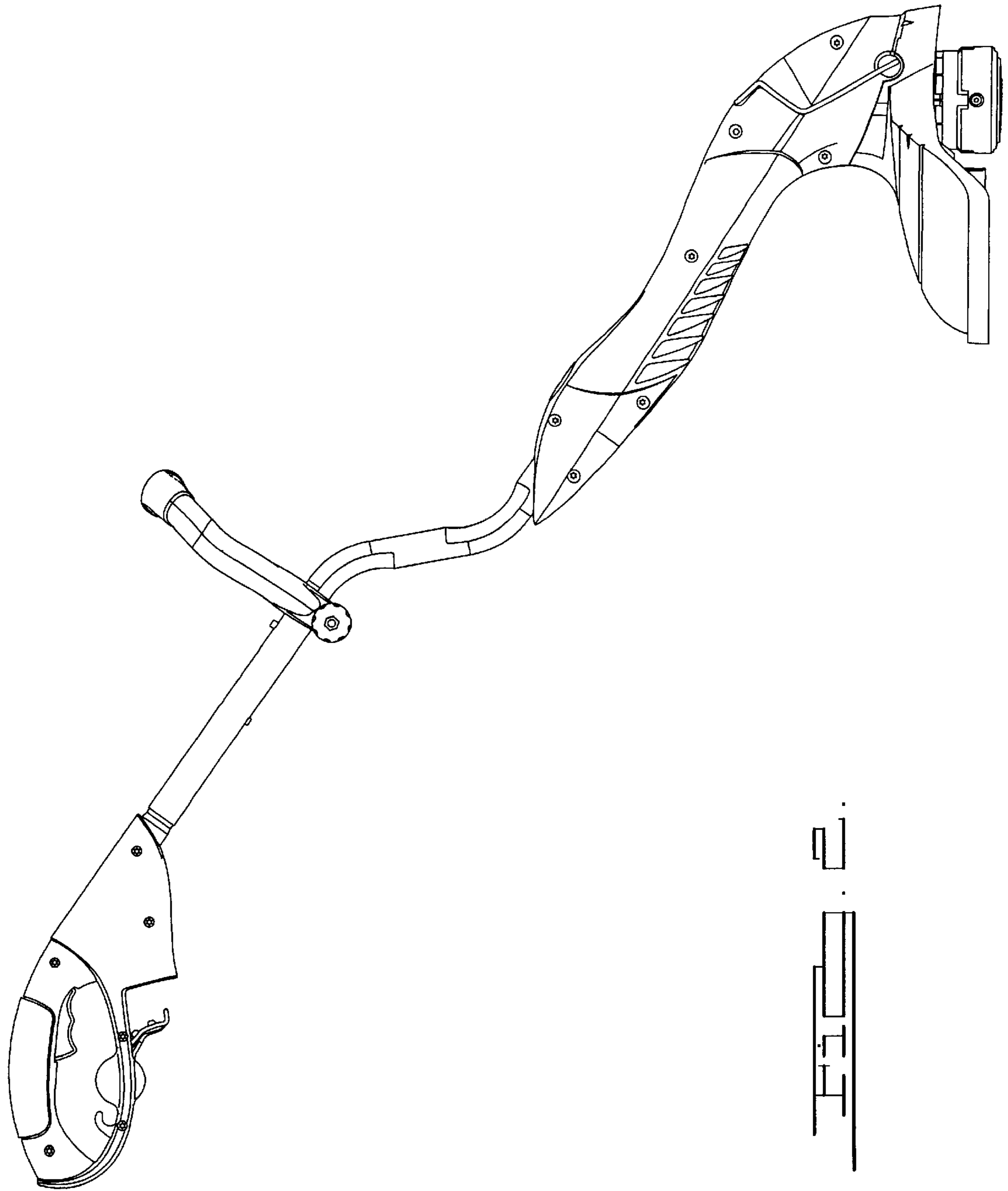


FIG. 2

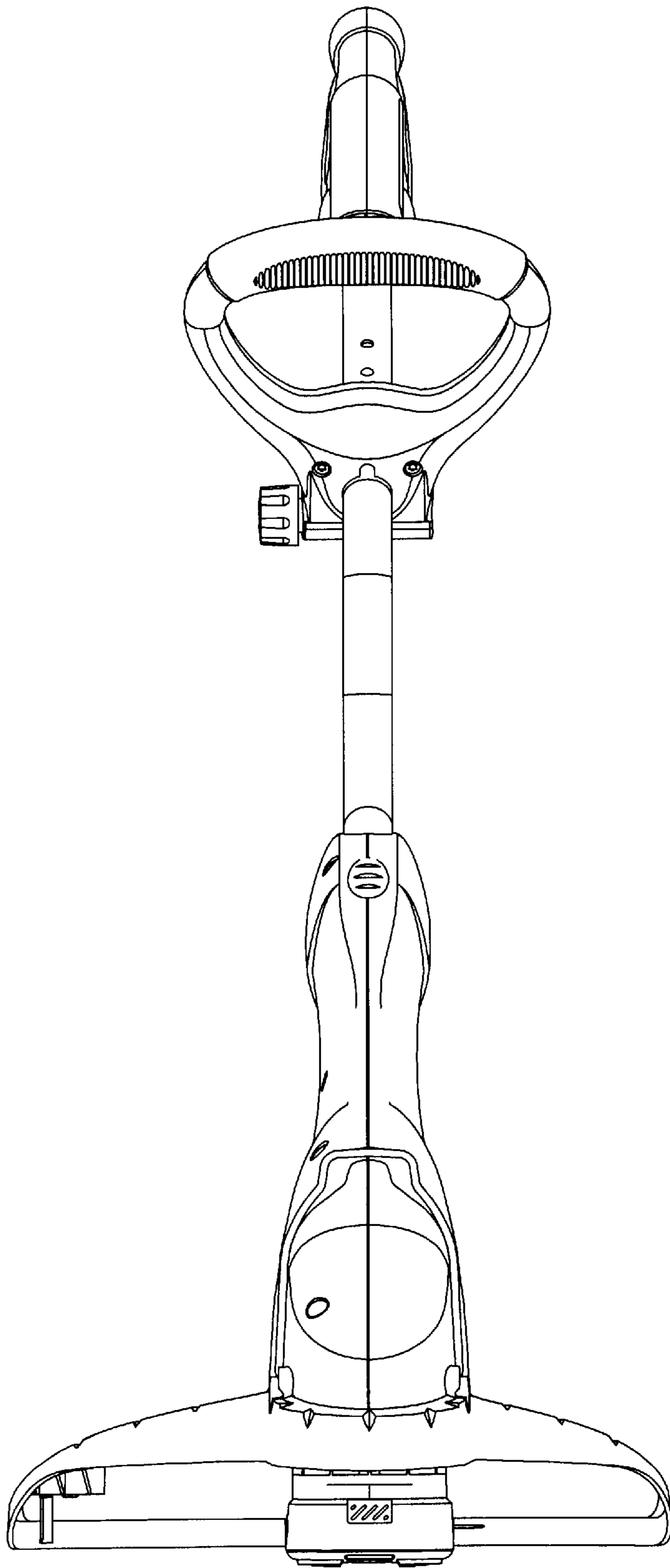


FIG. 3.

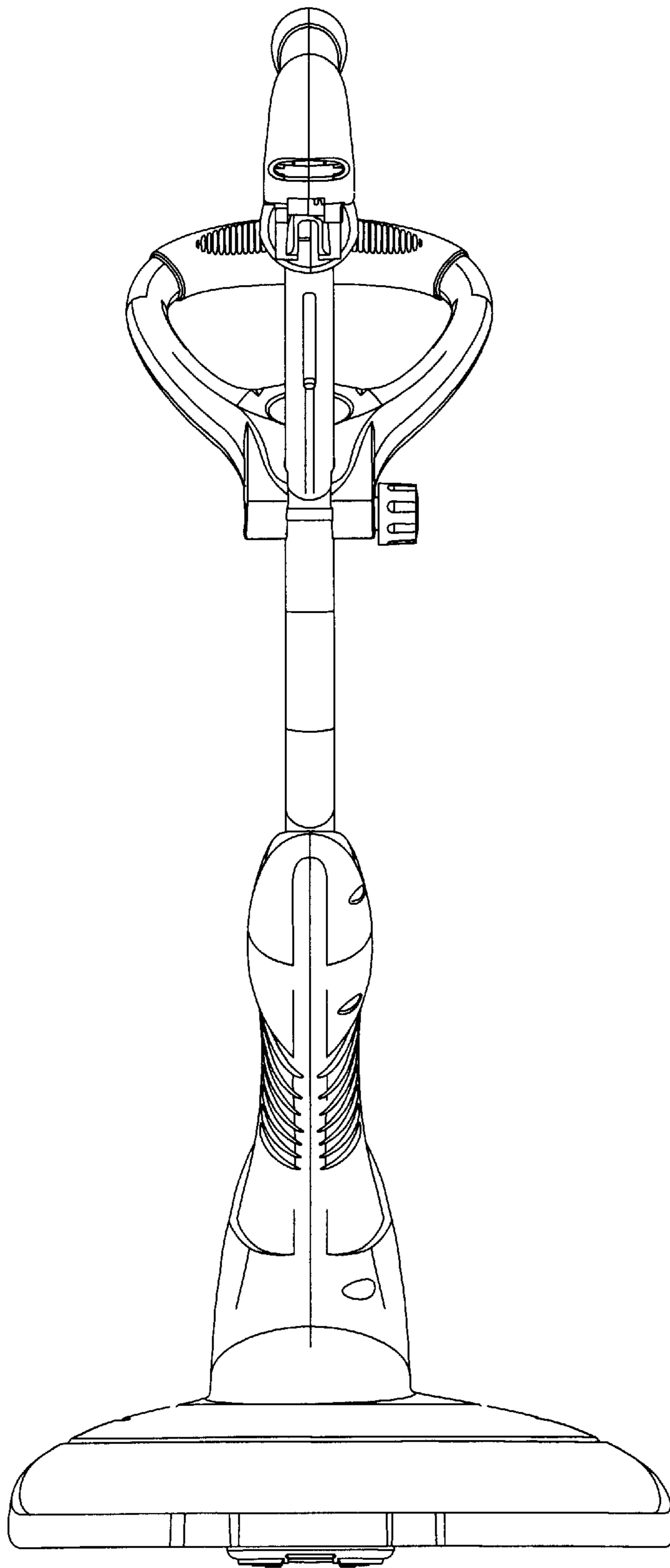


FIG. 4.

