



US00D473109S

(12) **United States Design Patent**  
**Birchansky**

(10) **Patent No.:** **US D473,109 S**

(45) **Date of Patent:** **\*\* Apr. 15, 2003**

(54) **FRUIT/VEGETABLE CUTTER**

(76) Inventor: **Natalee Elyse Birchansky**, 2635  
Granite Ct. NE., Cedar Rapids, IA (US)  
52402

(\*\*) Term: **14 Years**

(21) Appl. No.: **29/151,133**

(22) Filed: **Oct. 30, 2001**

(51) **LOC (7) Cl.** ..... **07-04**

(52) **U.S. Cl.** ..... **D7/673**

(58) **Field of Search** ..... D7/673, 693, 695;  
30/114, 117, 302, 303, 312, 113.1-113.3,  
130; 99/544, 554

(56) **References Cited**

**U.S. PATENT DOCUMENTS**

1,466,114 A *	8/1923	Buchi	30/302
1,581,310 A *	4/1926	Fetschan	30/303
D114,372 S	4/1939	Zimmerly	
6,032,368 A	3/2000	Huang et al.	30/113.1
D432,874 S	10/2000	Kari	D7/673

\* cited by examiner

*Primary Examiner*—Terry A. Wallace

(74) *Attorney, Agent, or Firm*—Schwegman, Lundberg,  
Woessner & Kluth, P.A.

(57) **CLAIM**

The ornamental design for the fruit/vegetable cutter, as shown and described.

**DESCRIPTION**

FIG. 1 is a perspective view of the fruit/vegetable cutter, incorporating the new design.

FIG. 2 is a top view of the fruit/vegetable cutter of FIG. 1.

FIG. 3 is a bottom view of the fruit/vegetable cutter of FIG. 1.

FIG. 4 is a perspective view of another embodiment of the fruit/vegetable cutter, incorporating the new design.

FIG. 5 is a top view of the fruit/vegetable cutter of FIG. 4; and,

FIG. 6 is a bottom view of the fruit/vegetable cutter of FIG. 4.

**1 Claim, 2 Drawing Sheets**

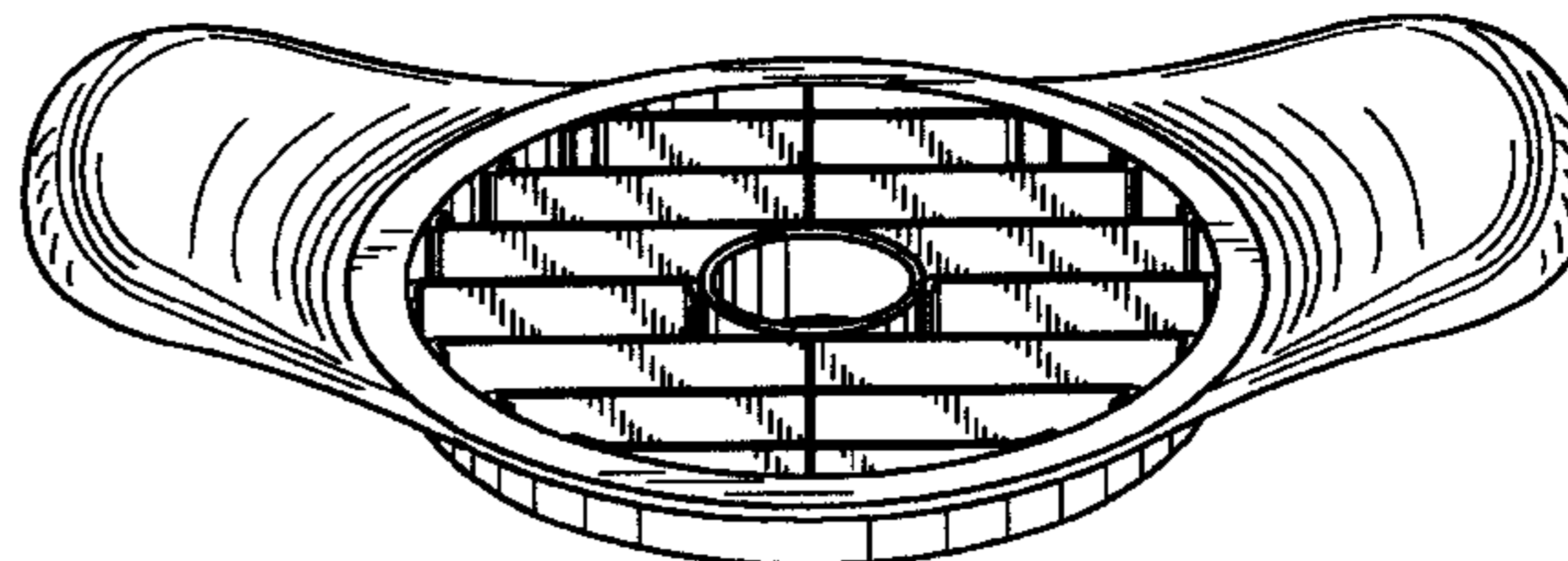
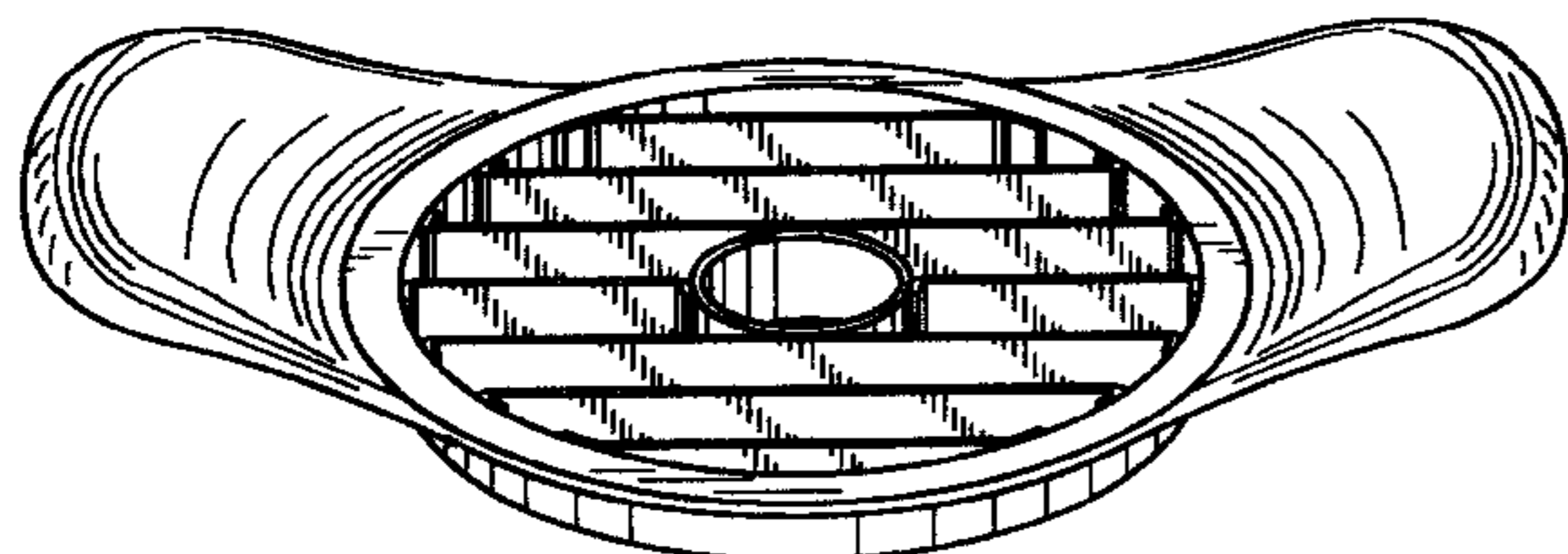


FIG. 1

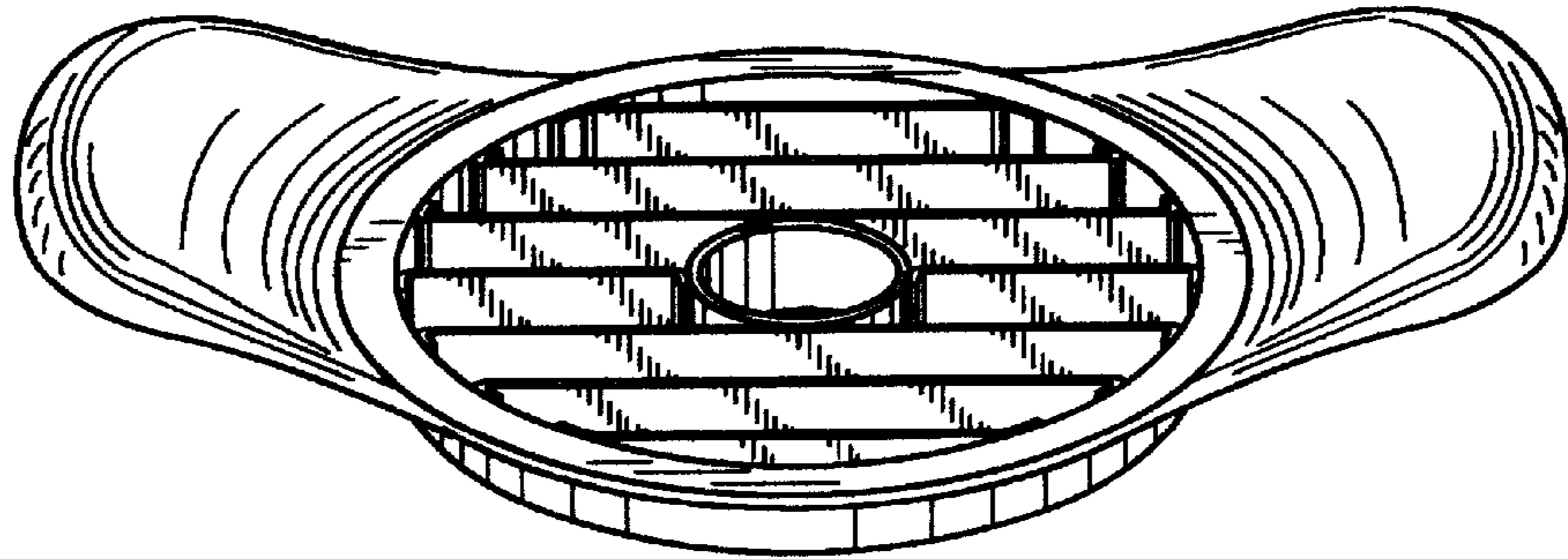


FIG. 2

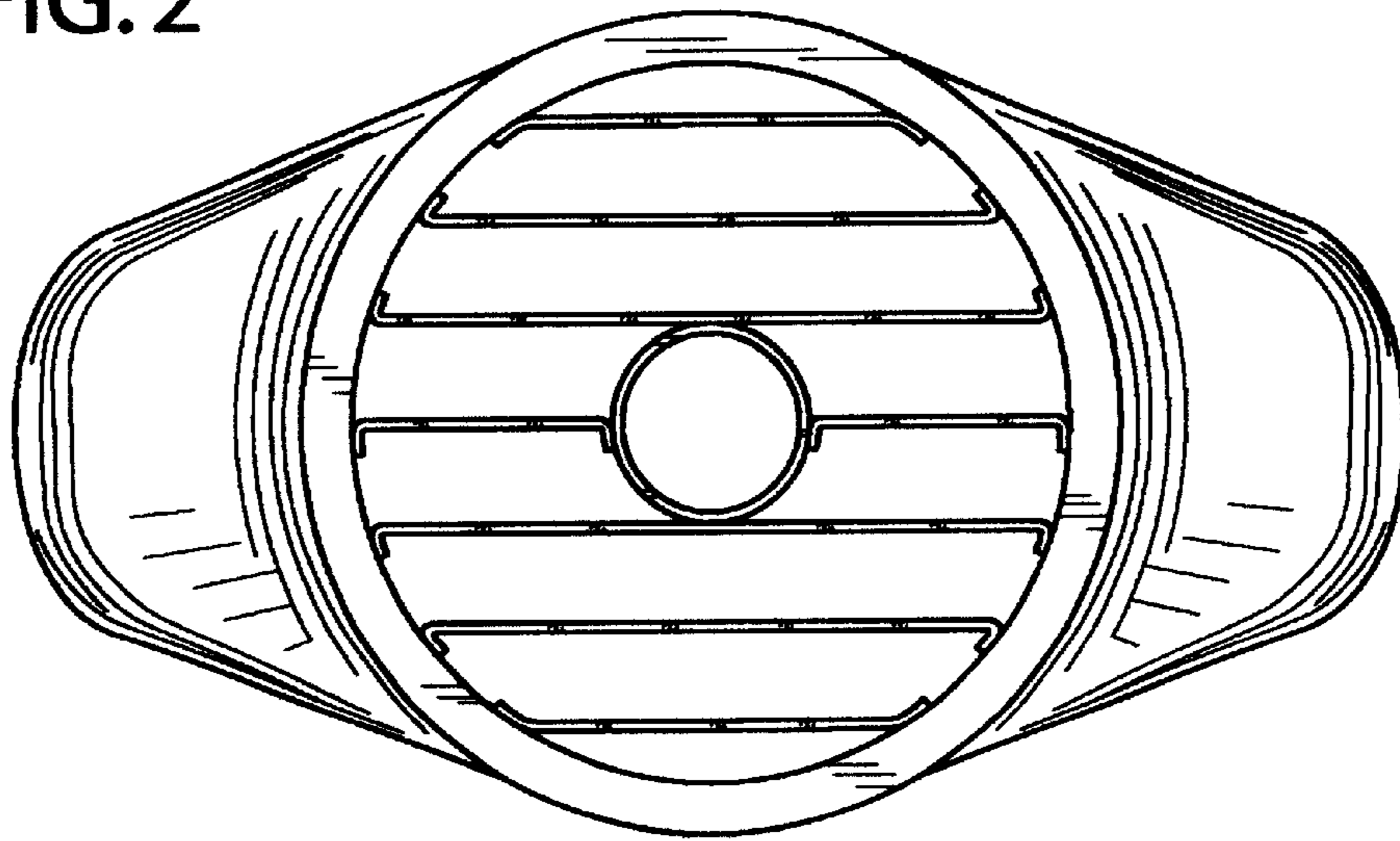


FIG. 3

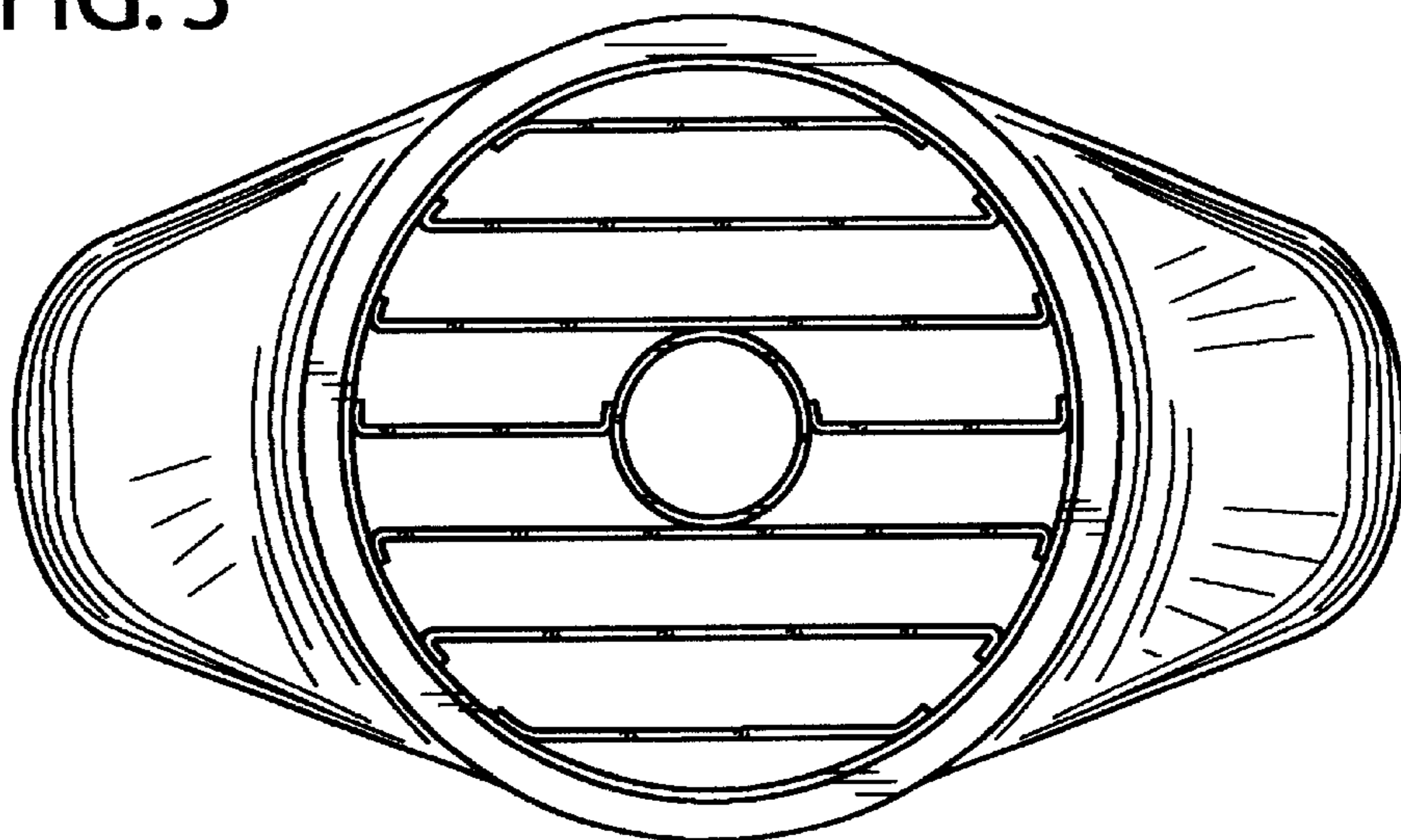


FIG. 4

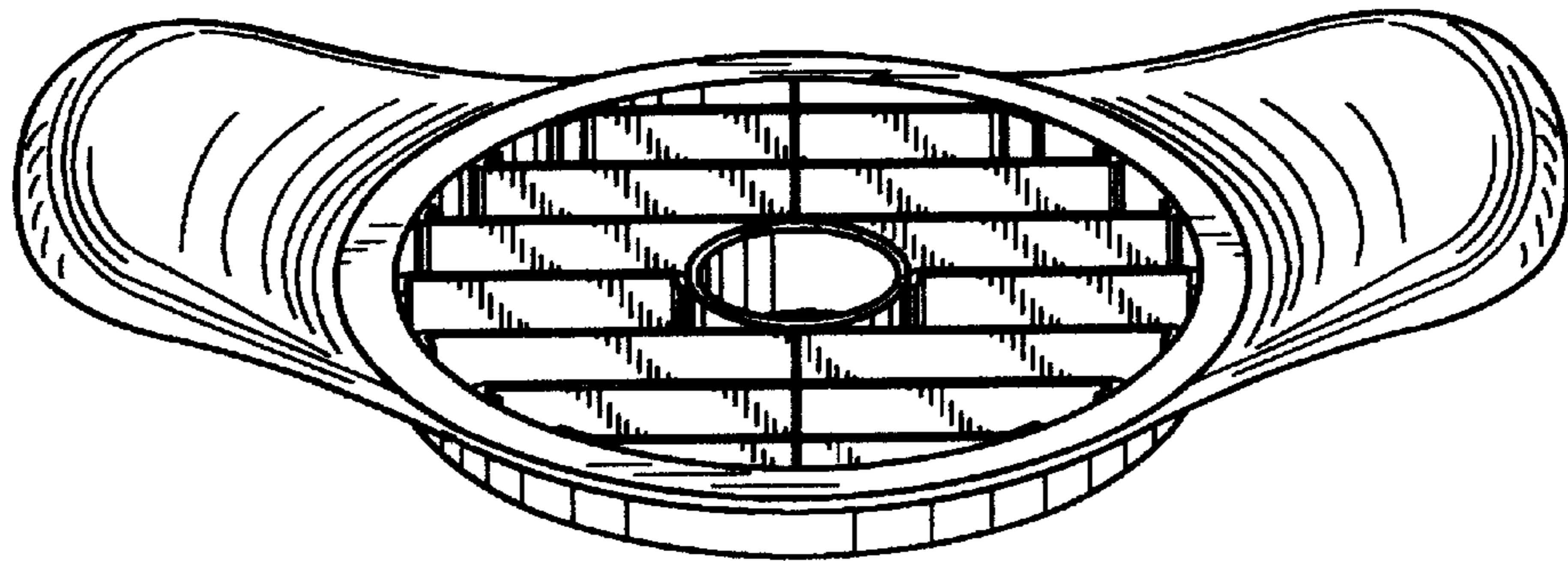


FIG. 5

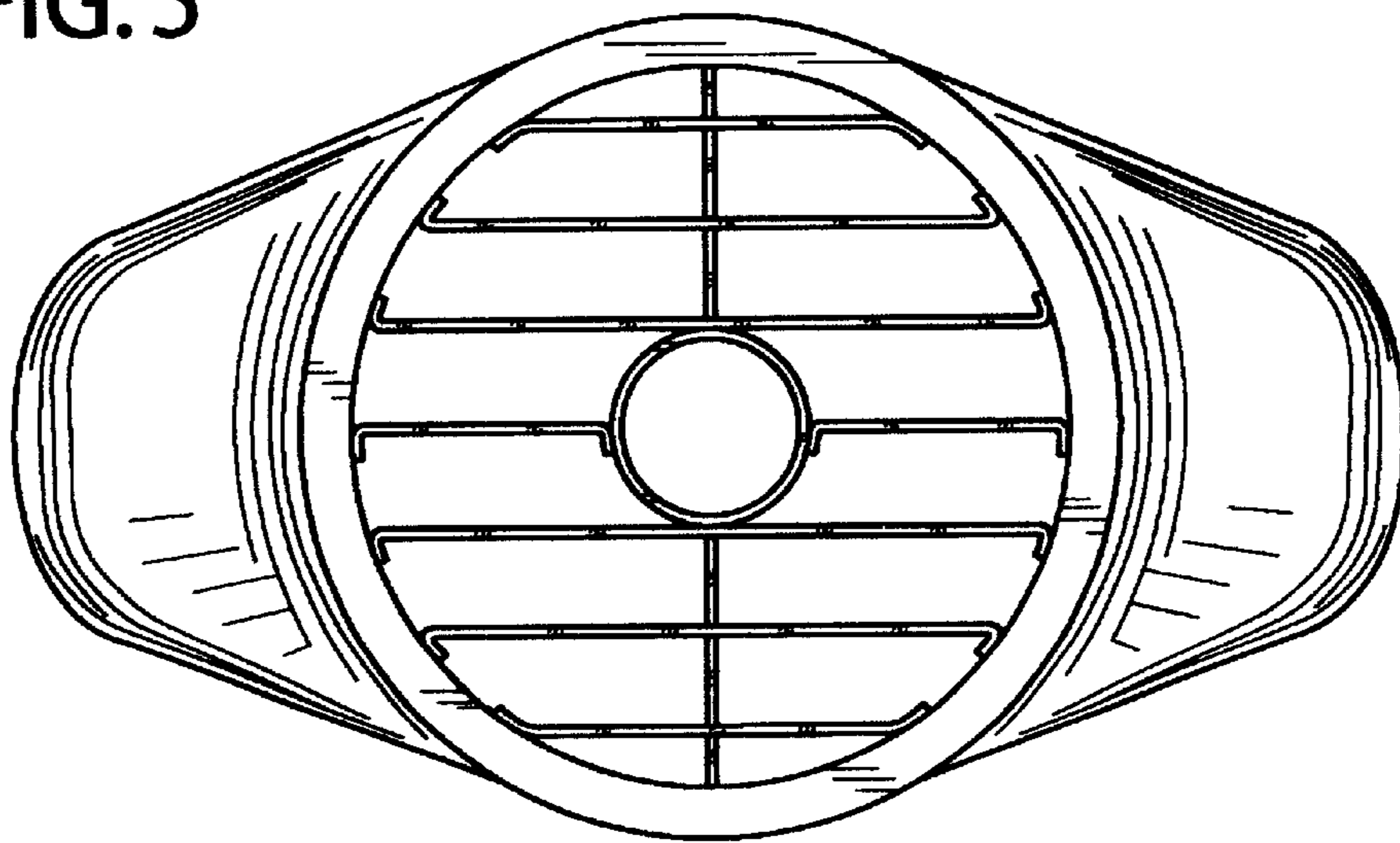


FIG. 6

