



US00D473108S

(12) **United States Design Patent**  
**De Visser**

(10) **Patent No.:** **US D473,108 S**

(45) **Date of Patent:** **\*\* Apr. 15, 2003**

(54) **CITRUS PRESS**

(75) **Inventor:** **Alexander Paul Johannus De Visser,**  
**Wittewierum (NL)**

(73) **Assignee:** **Koninklijke Philips Electronics N.V.,**  
**Eindhoven (NL)**

(\*\*) **Term:** **14 Years**

(21) **Appl. No.:** **29/163,820**

(22) **Filed:** **Jul. 12, 2002**

**Related U.S. Application Data**

(63) Continuation of application No. 29/146,222, filed on Aug. 7, 2001, now abandoned.

(30) **Foreign Application Priority Data**

Feb. 12, 2001 (XH) ..... DMA/005 179

(51) **LOC (7) Cl.** ..... **07-04**

(52) **U.S. Cl.** ..... **D7/665**

(58) **Field of Search** ..... **D7/665, 666, 372-374;**  
**99/501-506, 495, 499, 509-513; 241/33,**  
**36, 37; 100/107, 213**

(56) **References Cited**

**U.S. PATENT DOCUMENTS**

5,088,392 A \* 2/1992 Ancona et al. .... 99/506 X  
D379,744 S \* 6/1997 Ihackray ..... D7/665  
D395,803 S \* 7/1998 Lallemand ..... D7/665

\* cited by examiner

*Primary Examiner*—Terry A. Wallace

(74) *Attorney, Agent, or Firm*—Ernestine C. Bartlett

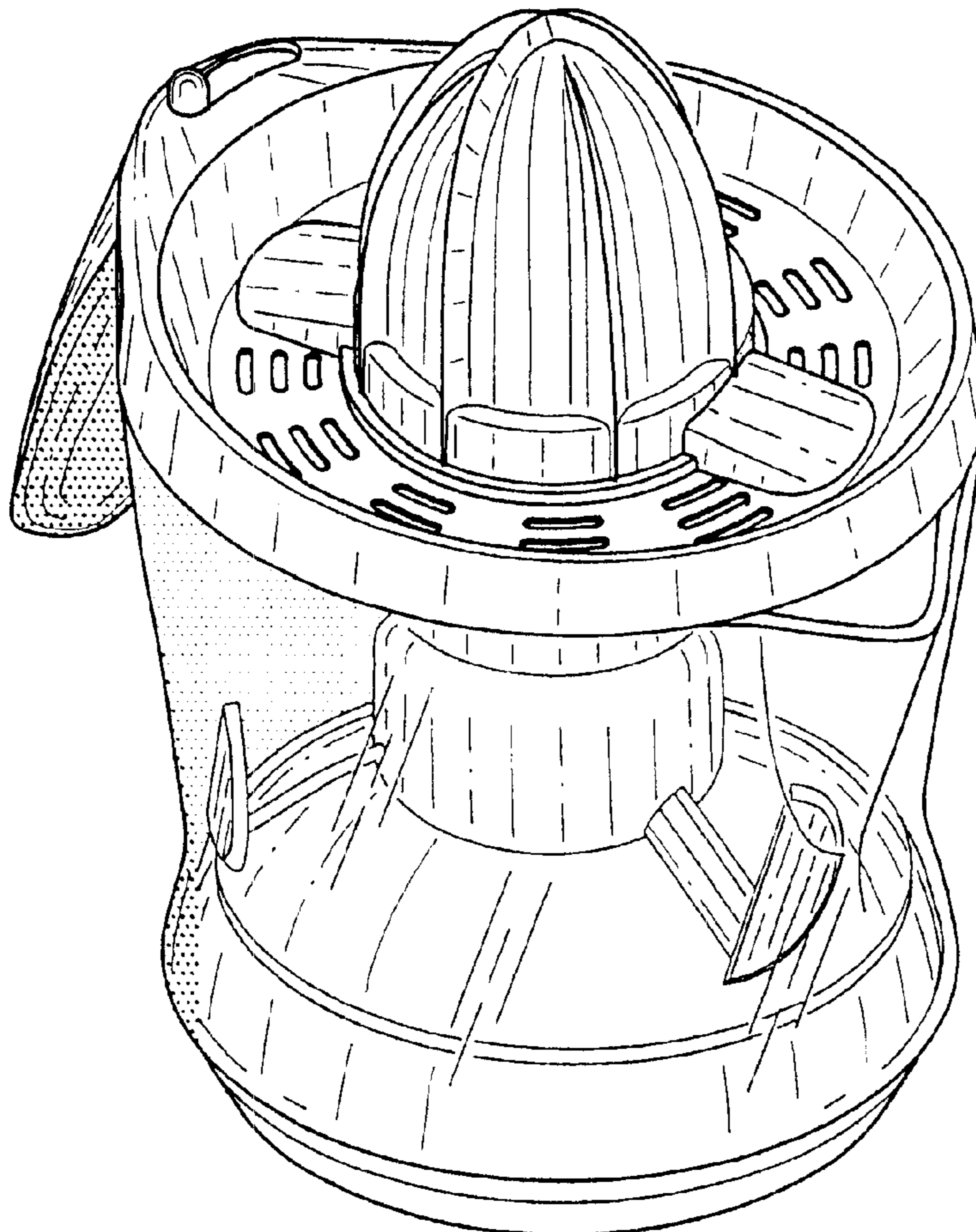
(57) **CLAIM**

The ornamental design for a citrus press, as shown.

**DESCRIPTION**

FIG. 1 is a perspective view showing my design;  
FIG. 2 is a front elevational view thereof;  
FIG. 3 is a rear elevational view thereof;  
FIG. 4 is a right side elevational view thereof;  
FIG. 5 is a left side elevational view thereof;  
FIG. 6 is a top plan view thereof; and,  
FIG. 7 is a bottom plan view thereof.

**1 Claim, 4 Drawing Sheets**



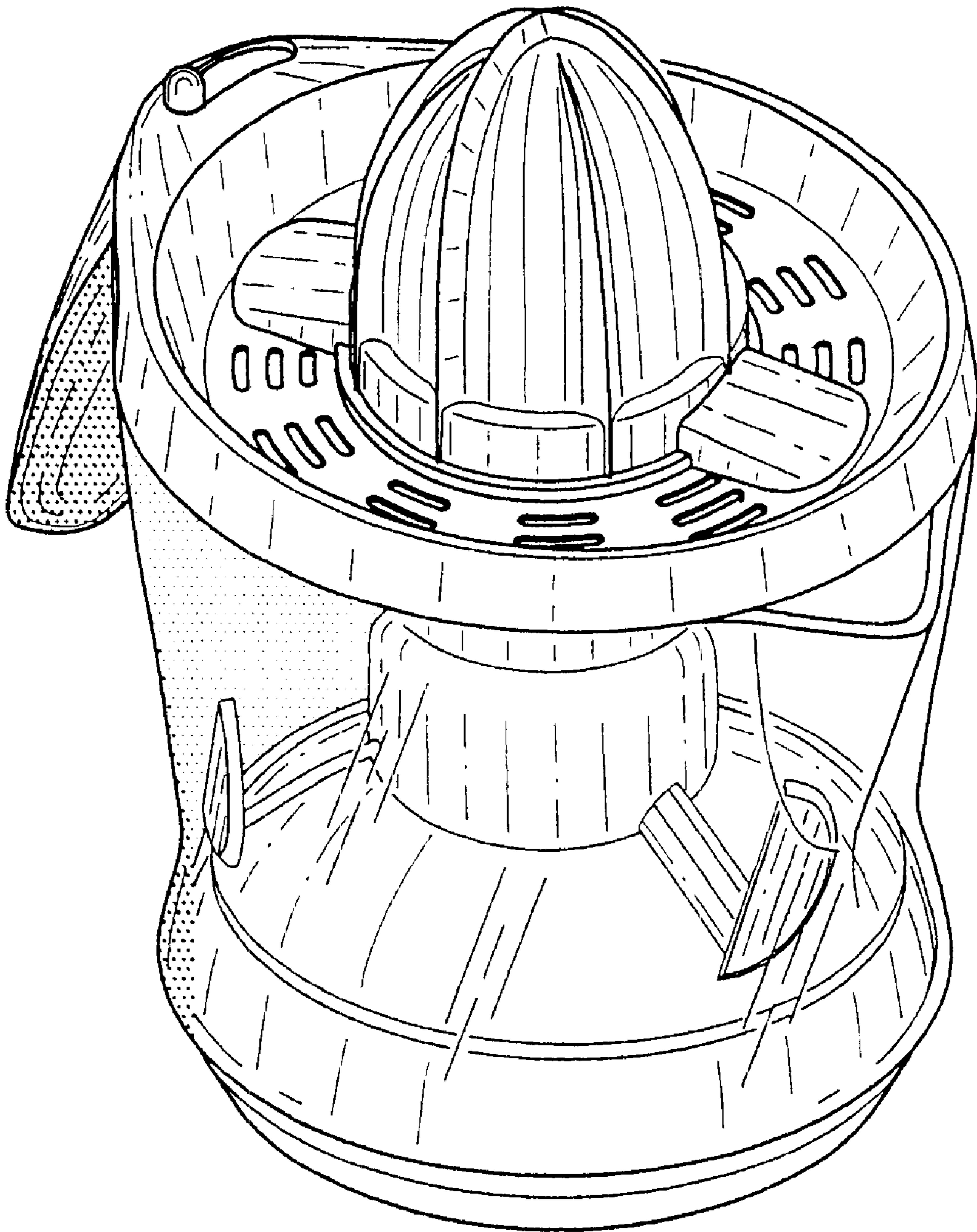


FIG. 1

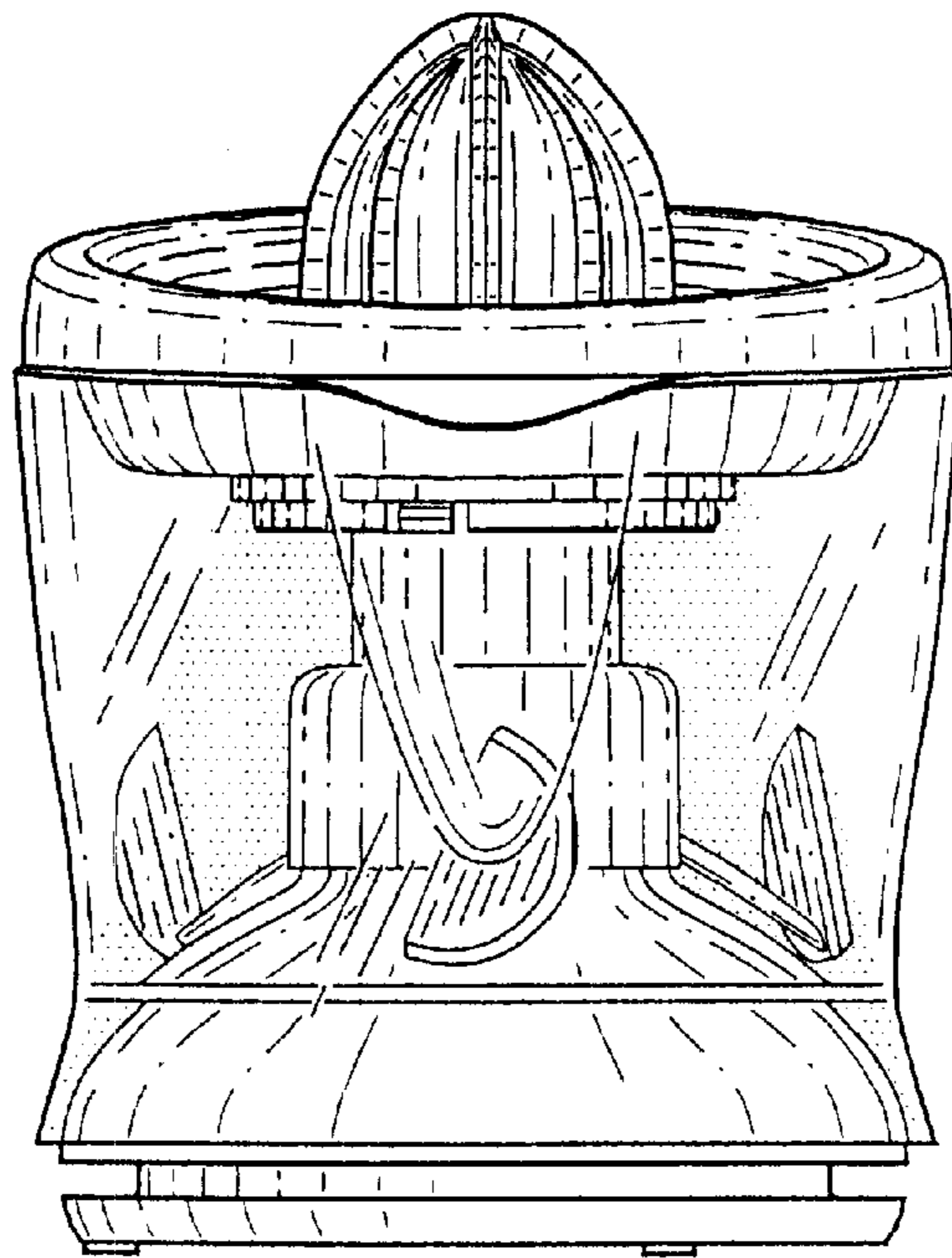


FIG. 2

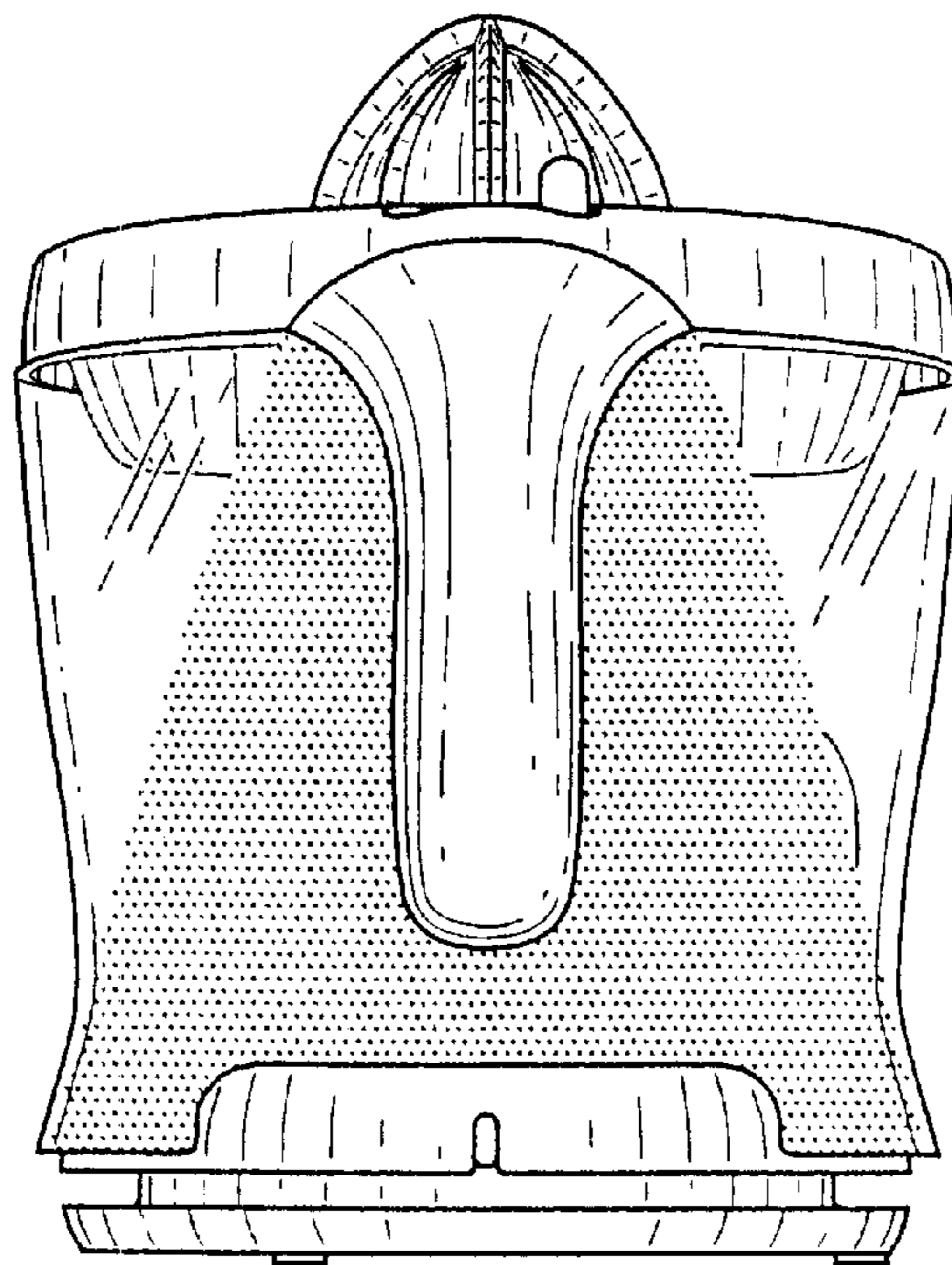


FIG. 3

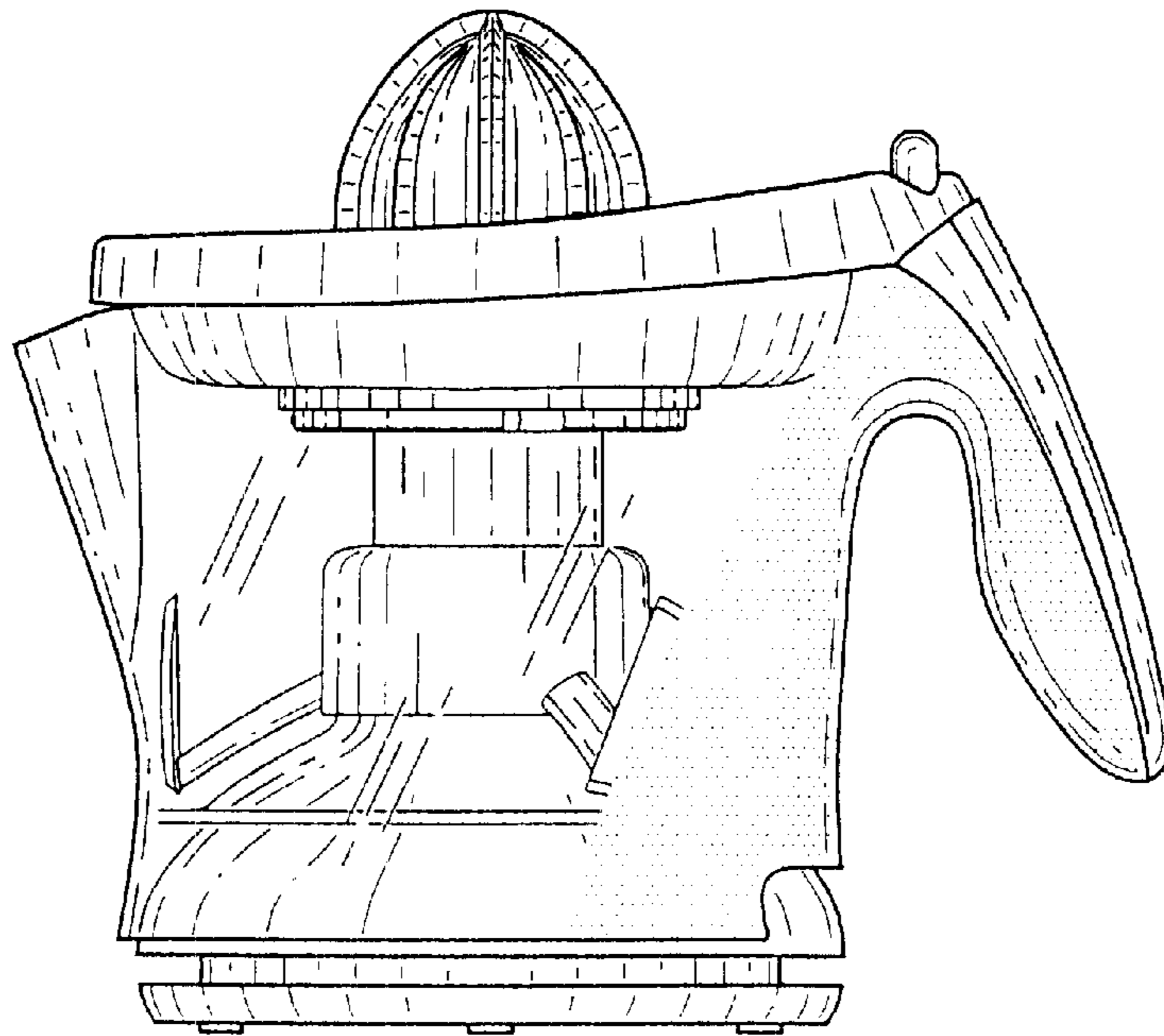


FIG. 4

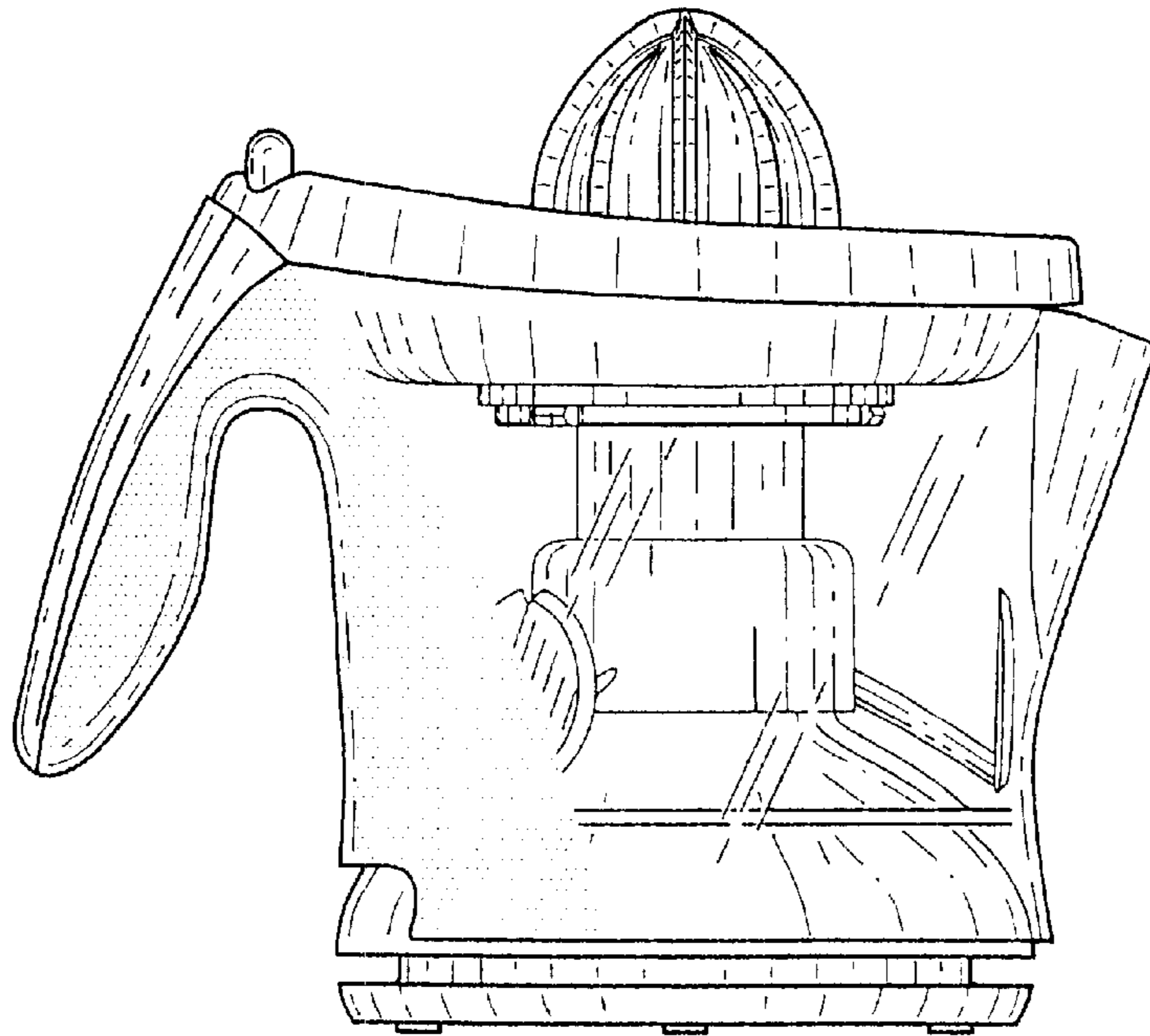


FIG. 5

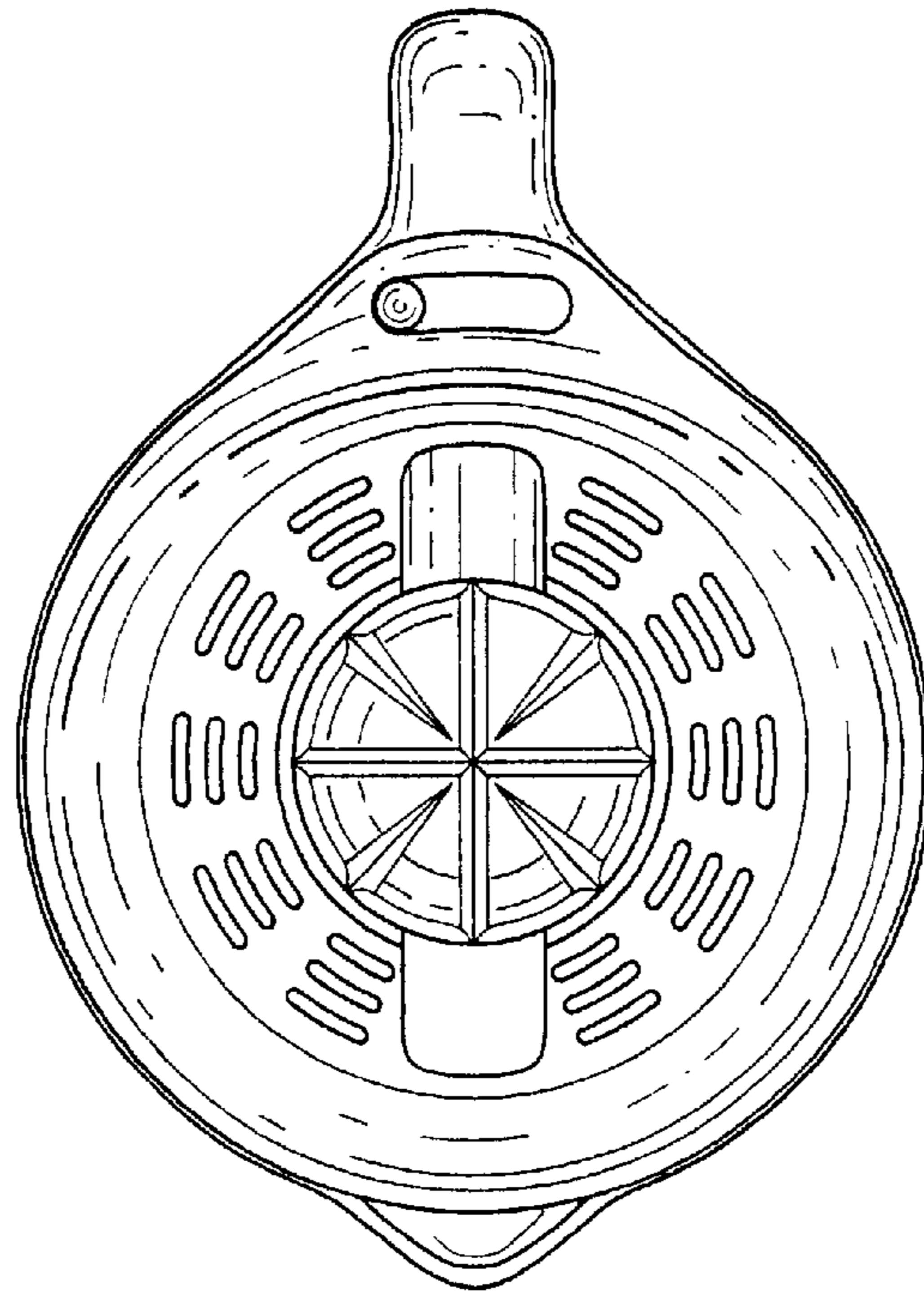


FIG. 6

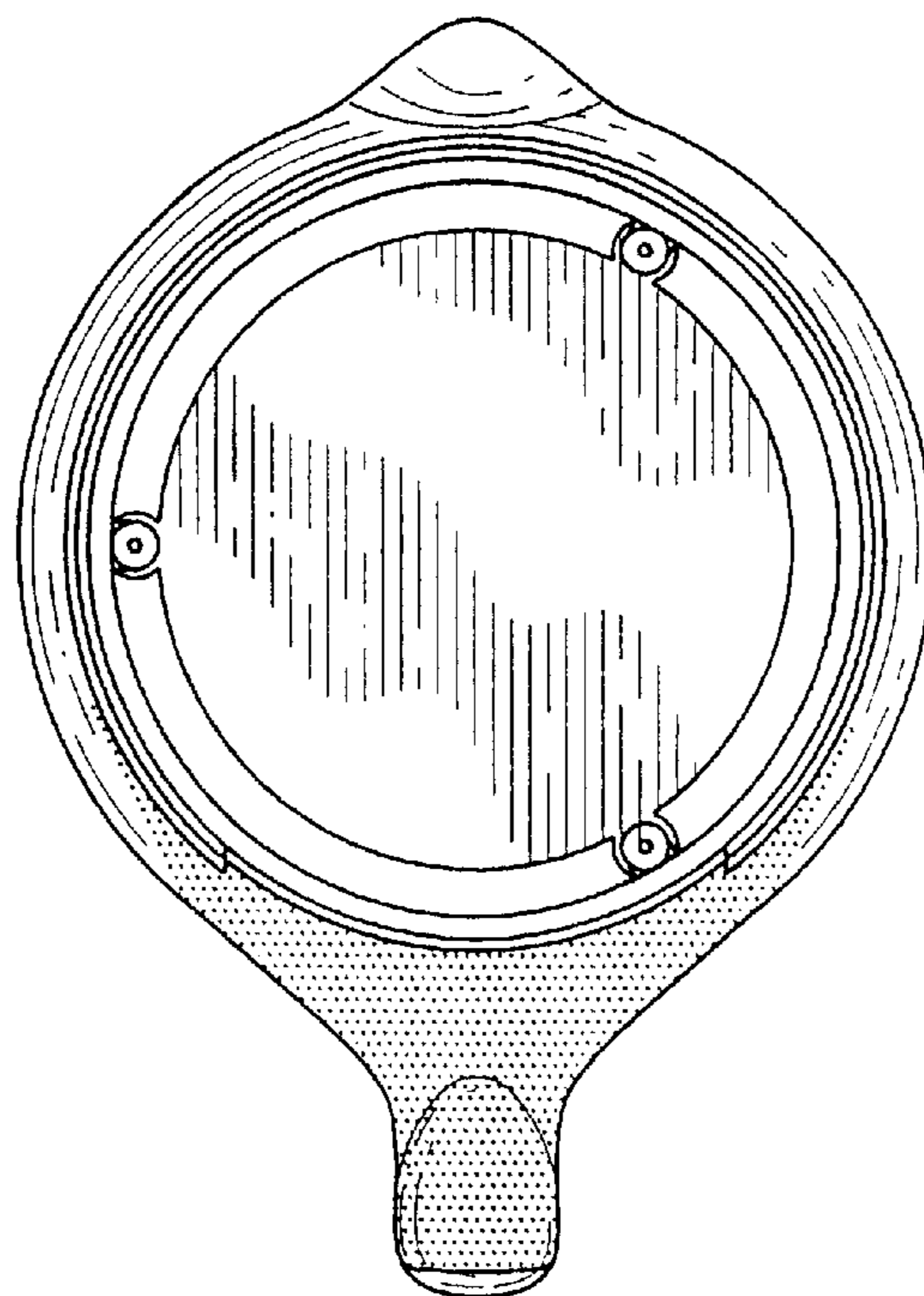


FIG. 7