



US00D473104S

(12) **United States Design Patent**
Salesman-Loken et al.

(10) **Patent No.:** **US D473,104 S**
(45) **Date of Patent:** **** Apr. 15, 2003**

(54) **PORTABLE ELECTRICALLY-HEATED
COFFEE MUG**

(76) Inventors: **Sheryl T. Salesman-Loken**, 26765
Anabel Ave., Evans Mills, NY (US)
13637; **Howard W. Loken**, 26765
Anabel Ave., Evans Mills, NY (US)
13637

(**) Term: **14 Years**

(21) Appl. No.: **29/147,158**

(22) Filed: **Aug. 23, 2001**

(51) **LOC (7) Cl.** **07-01**

(52) **U.S. Cl.** **D7/510; D7/511; D7/533**

(58) **Field of Search** **D7/533, 510, 511,**
D7/319, 536, 509, 507; 220/729, 23.86,
212, 737; 215/374, 398; 219/433, 432;
D24/197

(56) **References Cited**

U.S. PATENT DOCUMENTS

3,405,899	A	10/1968	Trachtenberg et al.	
3,423,571	A	1/1969	Trachtenberg et al.	
3,463,140	A	8/1969	Rollor, Jr.	
3,549,861	A	12/1970	Trachtenberg et al.	
4,463,664	A	8/1984	Peace	
4,523,083	A	* 6/1985	Hamilton	219/433
4,675,508	A	6/1987	Miyaji et al.	
D310,567	S	* 9/1990	Fitzpatrick	D24/197
4,995,835	A	2/1991	Cunningham et al.	
D323,758	S	2/1992	Hoelterscheidt	
D333,756	S	* 3/1993	Campbell	D7/507
5,436,429	A	7/1995	Cline	
5,531,353	A	* 7/1996	Ward et al.	220/729
D372,839	S	* 8/1996	Laib	D7/536

D373,051	S	* 8/1996	Kramer et al.	D7/536
D376,728	S	* 12/1996	Richards, Sr. et al.	D7/507
D382,174	S	* 8/1997	Grimm	D7/510
D386,948	S	* 12/1997	Wissinger	D7/533
D396,381	S	* 7/1998	Chung	D7/510
D398,187	S	* 9/1998	Parker	D7/510
D417,365	S	* 12/1999	Huang	D7/511
D418,013	S	* 12/1999	Fujii	D7/510
D420,254	S	* 2/2000	Park	D7/510
6,075,229	A	6/2000	Vanselow	
D448,235	S	* 9/2001	Jorgensen	D7/319
6,310,329	B1	* 10/2001	Carter	219/432
6,403,928	B1	* 6/2002	Ford	219/432
D460,895	S	* 7/2002	Lin	D7/533
D462,576	S	* 9/2002	Janky	D7/510
D465,132	S	* 11/2002	Janky et al.	D7/510

* cited by examiner

Primary Examiner—M. N. Pandozzi
(74) *Attorney, Agent, or Firm*—Donald R. Schoonover

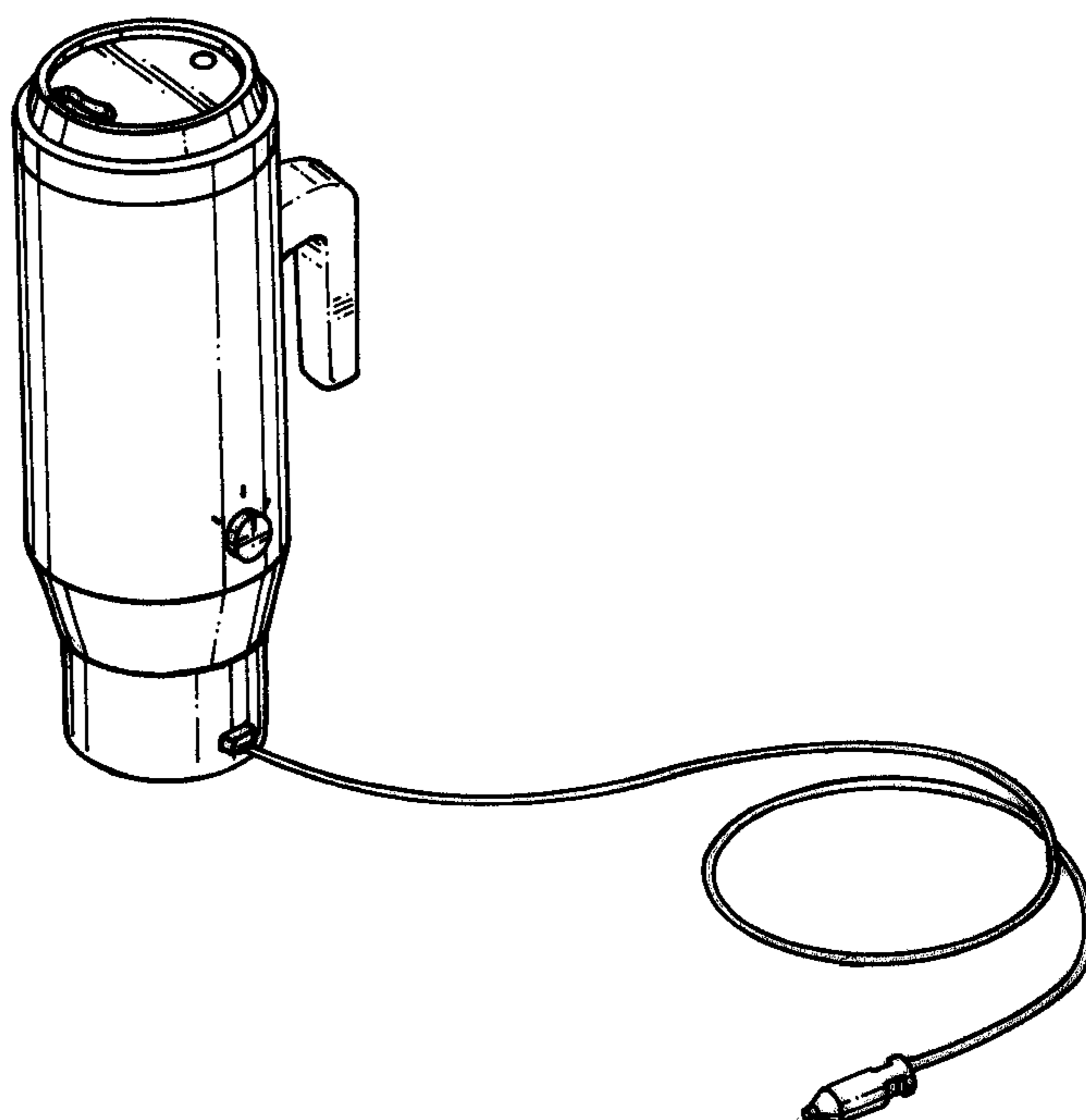
(57) **CLAIM**

The ornamental design for a portable electrically-heated coffee mug, as shown and described.

DESCRIPTION

FIG. 1 is a perspective view of the portable electrically-heated coffee mug embodying the design of the present invention.
FIG. 2 is a front elevational view thereof;
FIG. 3 is a rear elevational view thereof;
FIG. 4 is a left side elevational view thereof;
FIG. 5 is a right side elevational view thereof;
FIG. 6 is a top plan view thereof; and,
FIG. 7 is a bottom plan view thereof.

1 Claim, 4 Drawing Sheets



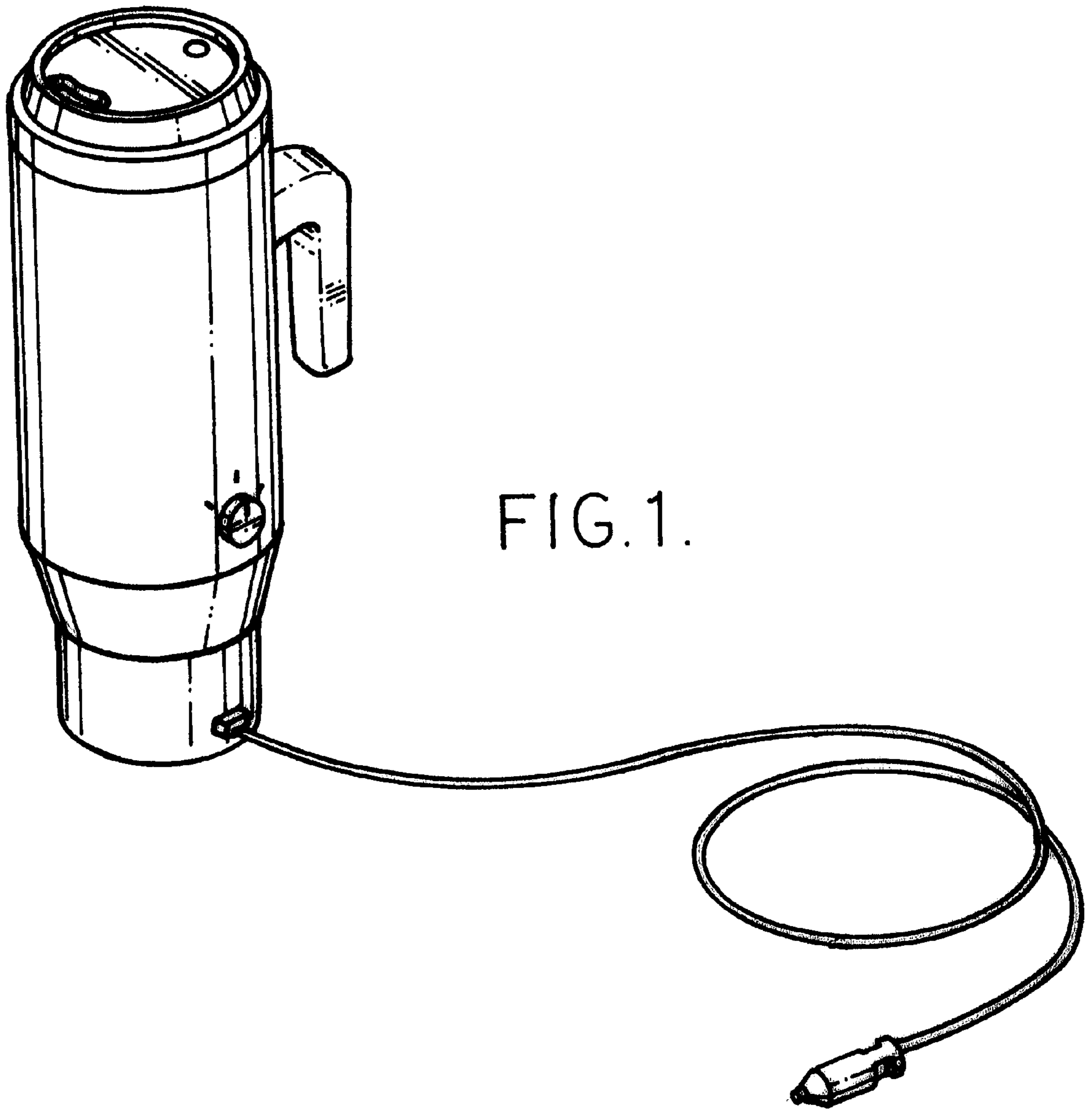


FIG. 1.

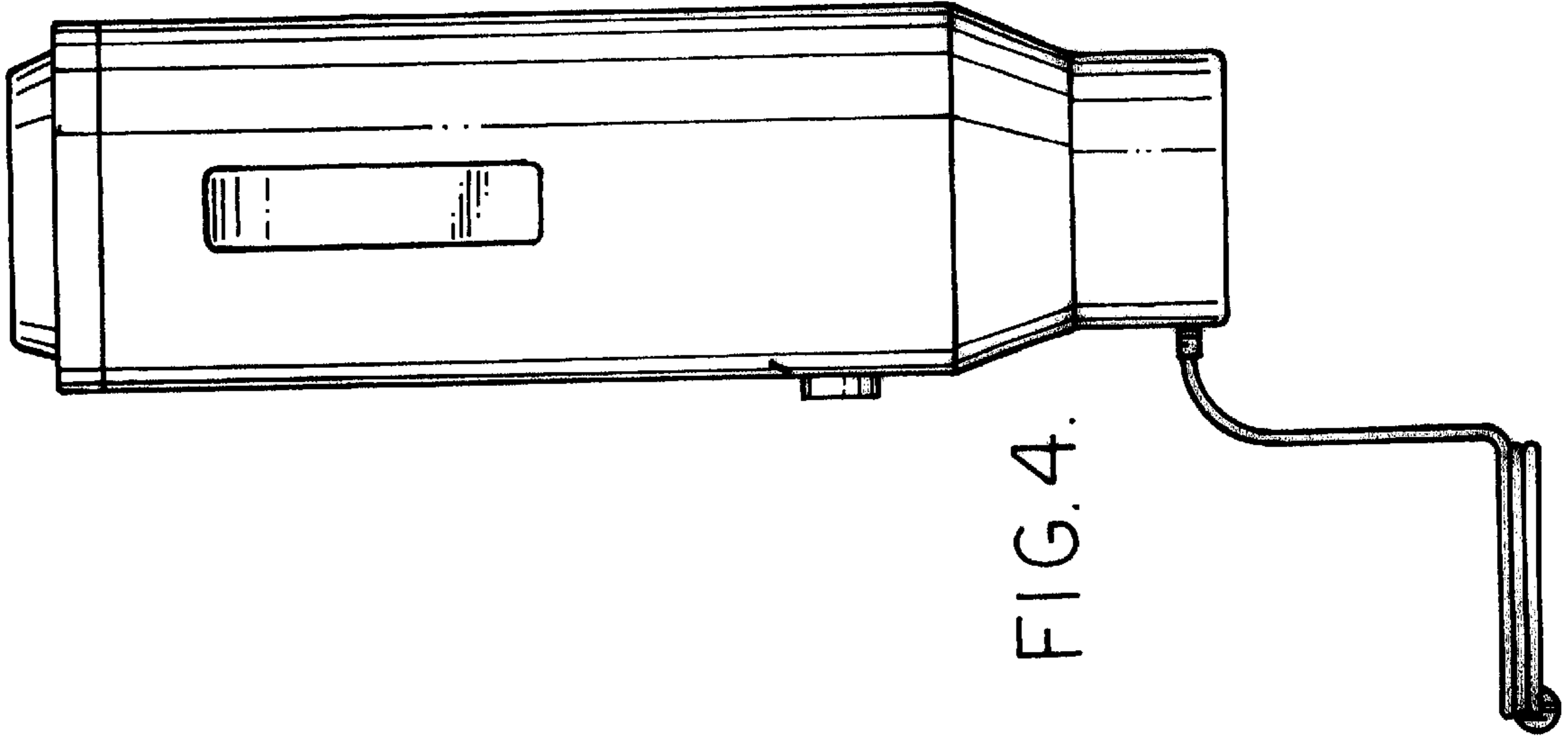


FIG. 4.

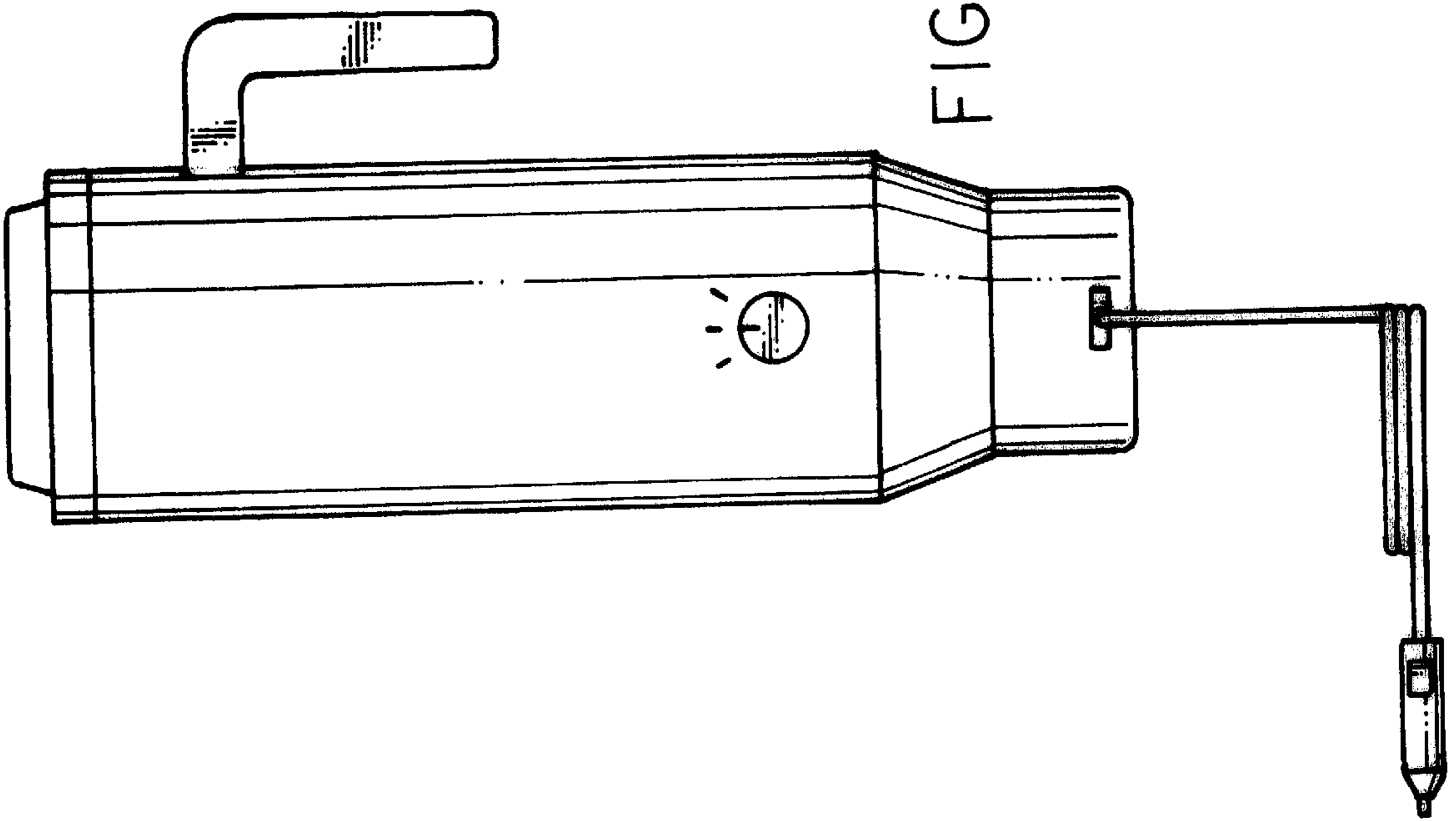


FIG. 2

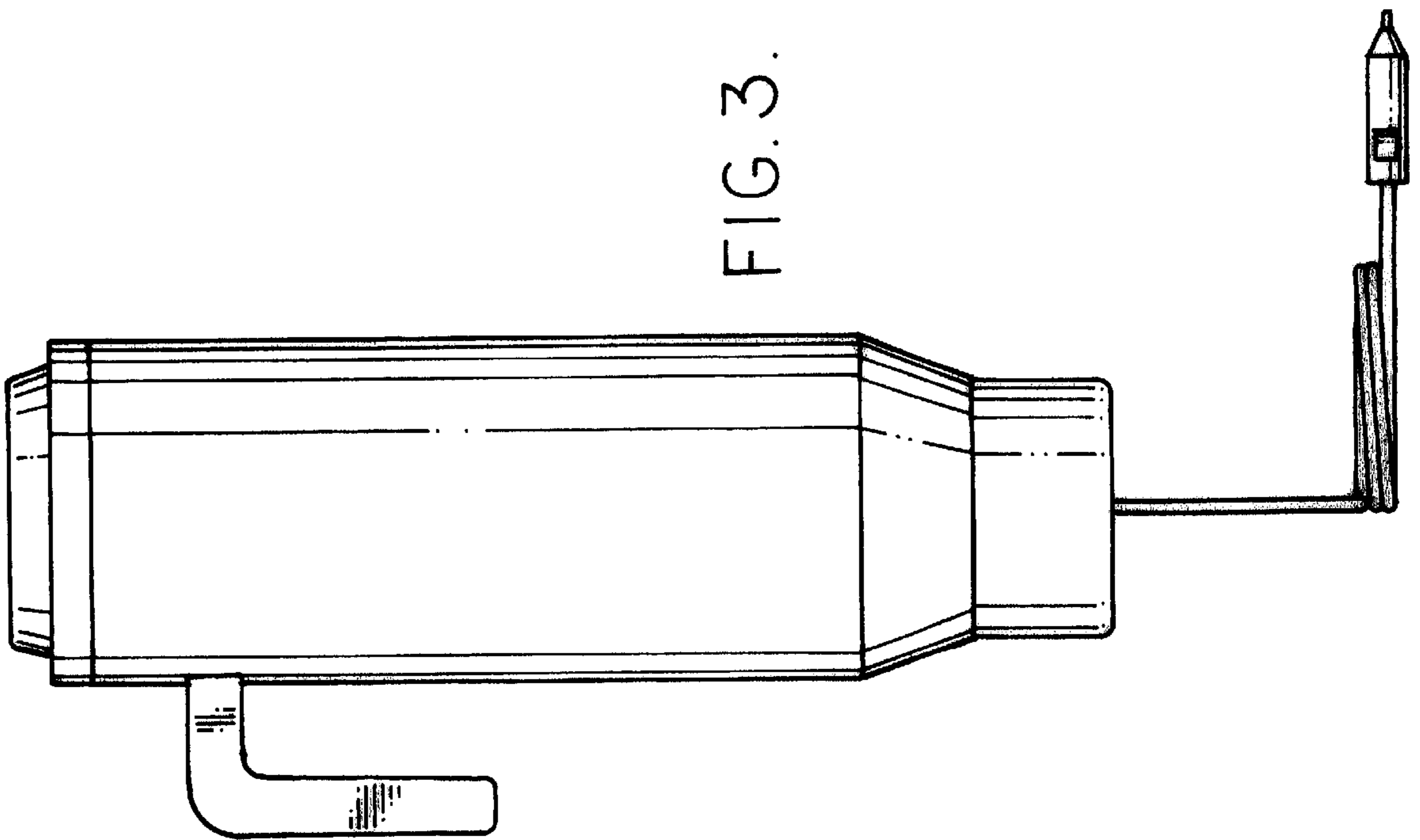


FIG. 3.

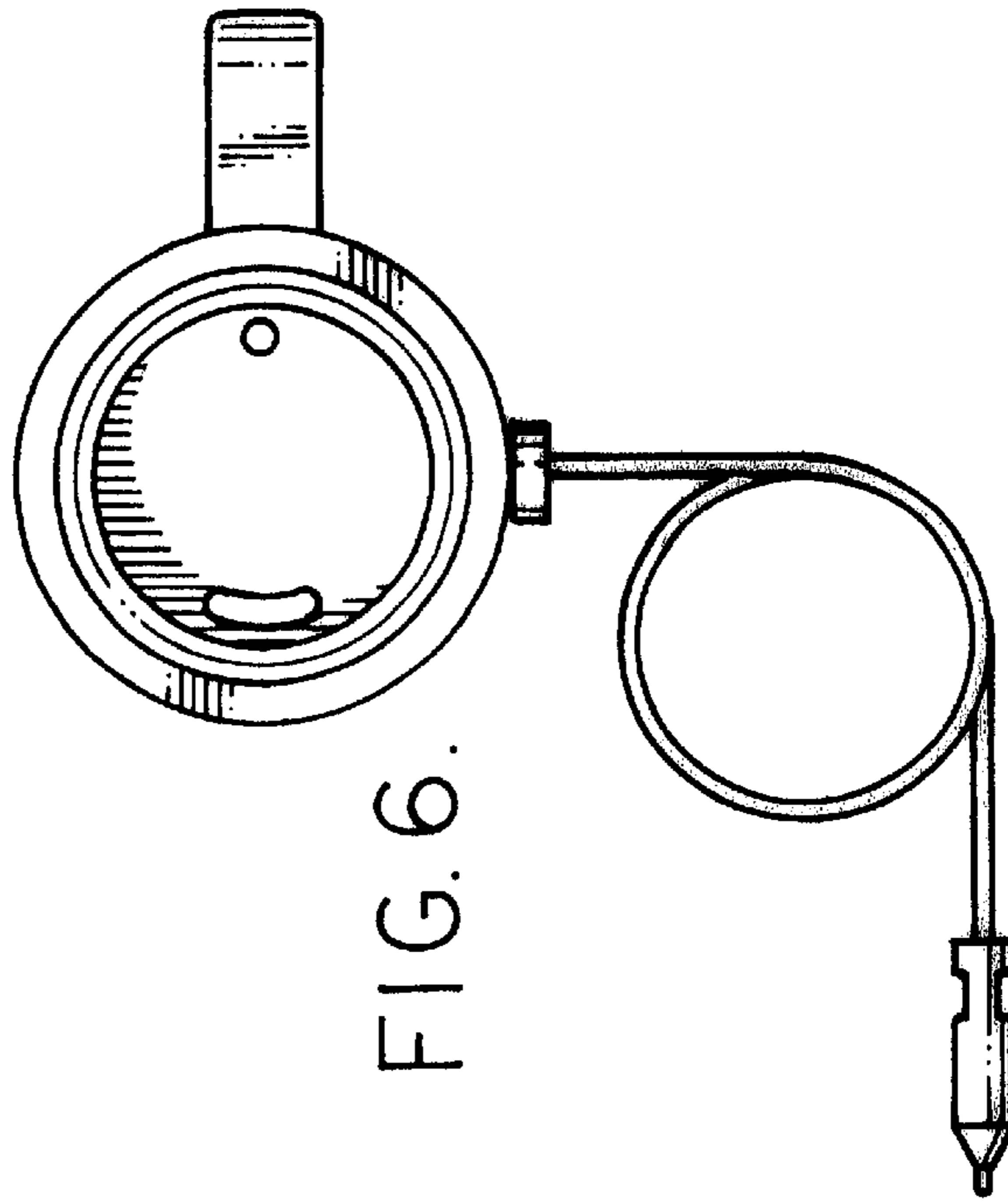


FIG. 6.

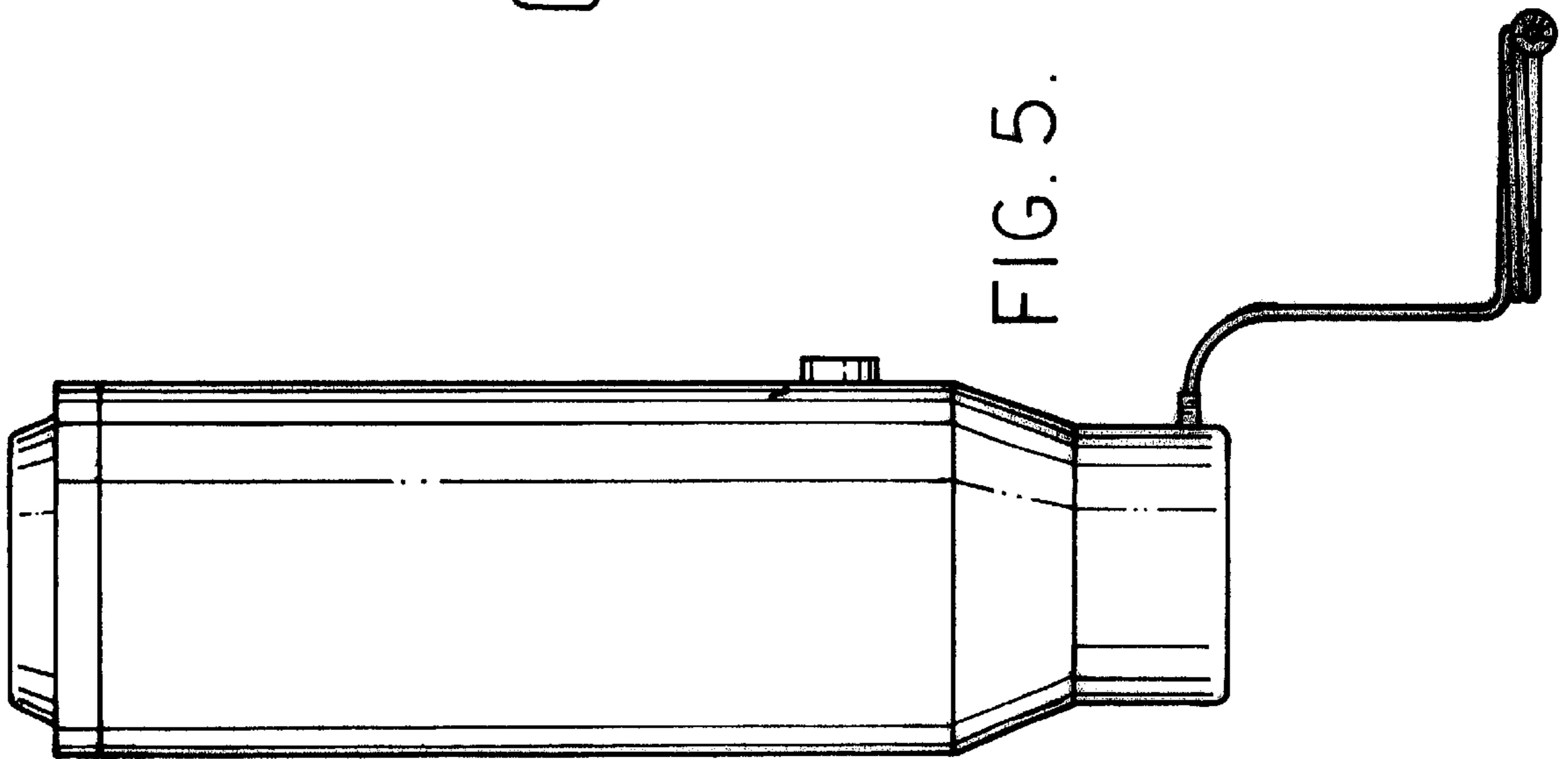


FIG. 5.

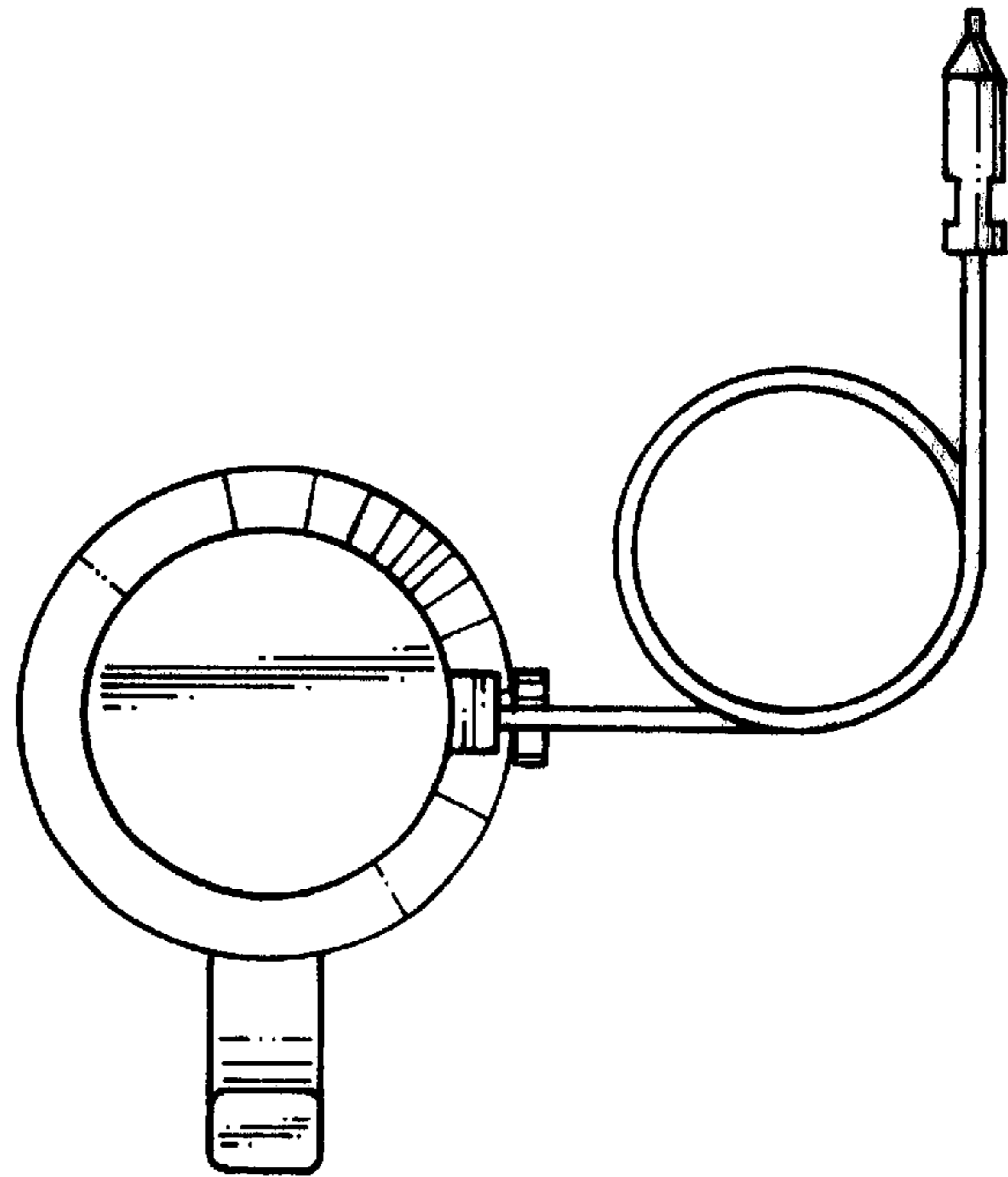


FIG. 7.