



US00D473098S

(12) **United States Design Patent**
Wingeier

(10) **Patent No.:** **US D473,098 S**

(45) **Date of Patent:** **** Apr. 15, 2003**

(54) **GRILLSTONE**

D463,202 S * 9/2002 Smith D7/359

(75) Inventor: **Benoni F. Wingeier**, Newark, OH (US)

* cited by examiner

(73) Assignee: **Pottery Palace Stoneware, Inc.**,
Columbus, OH (US)

Primary Examiner—Caron D. Veynar

(74) *Attorney, Agent, or Firm*—Bingham McHale LLP

(**) Term: **14 Years**

(57) **CLAIM**

The ornamental design for a grillstone, as shown and described.

(21) Appl. No.: **29/162,941**

(22) Filed: **Jun. 24, 2002**

DESCRIPTION

(51) **LOC (7) Cl.** **07-02**

FIG. 1 is a top perspective view of the grillstone showing my new design;

(52) **U.S. Cl.** **D7/359**

FIG. 2 is a side elevation view thereof;

(58) **Field of Search** D7/323, 359, 402,
D7/409, 550.1, 552.1, 554.3, 698, 699;
99/324, 422, 425, 444, 445; 269/289 R

FIG. 3 is an top elevation view thereof viewed from the top of FIG. 1;

FIG. 4 is an end elevation view thereof viewed from either the left or the right end of FIG. 1; and,

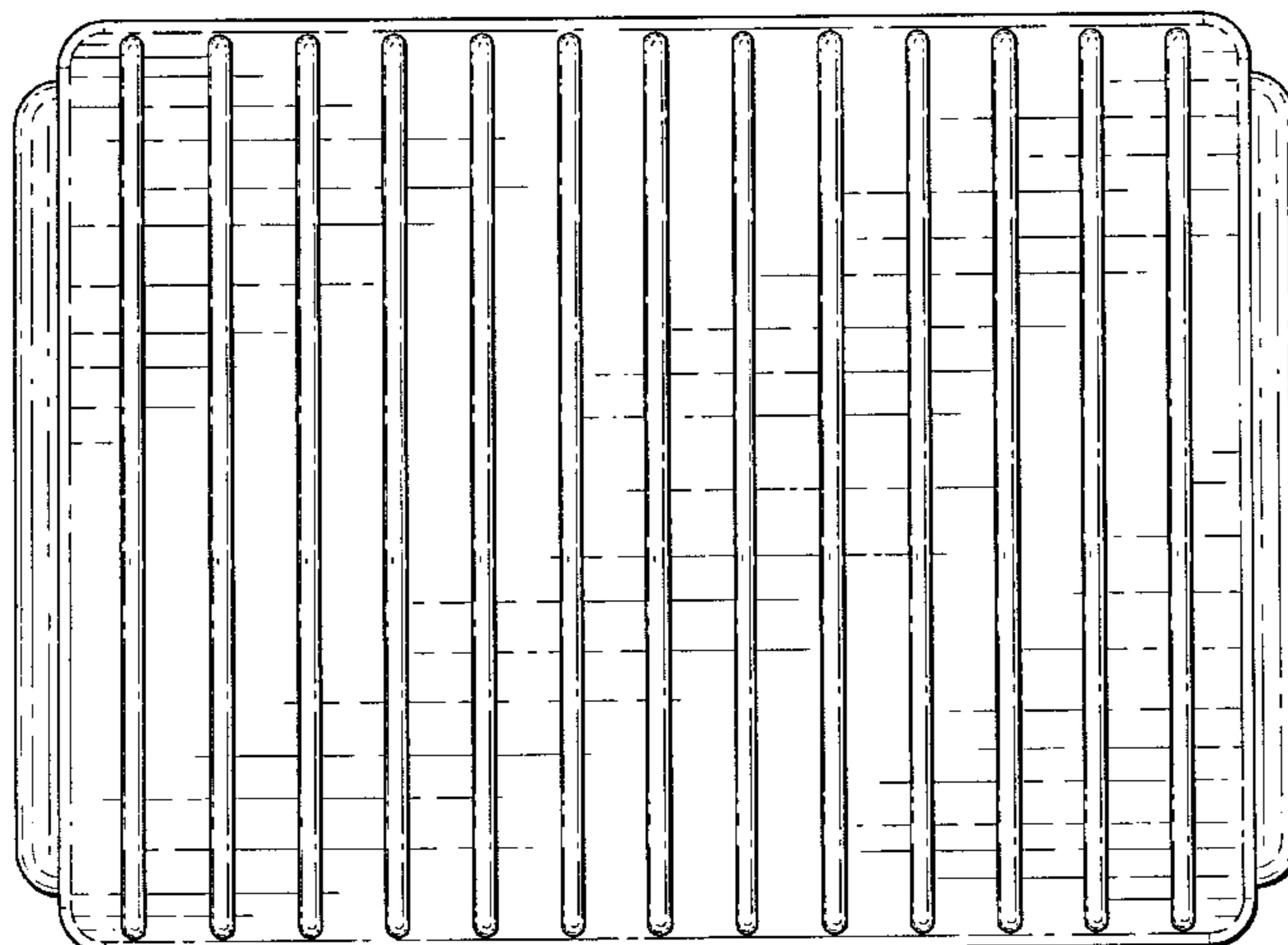
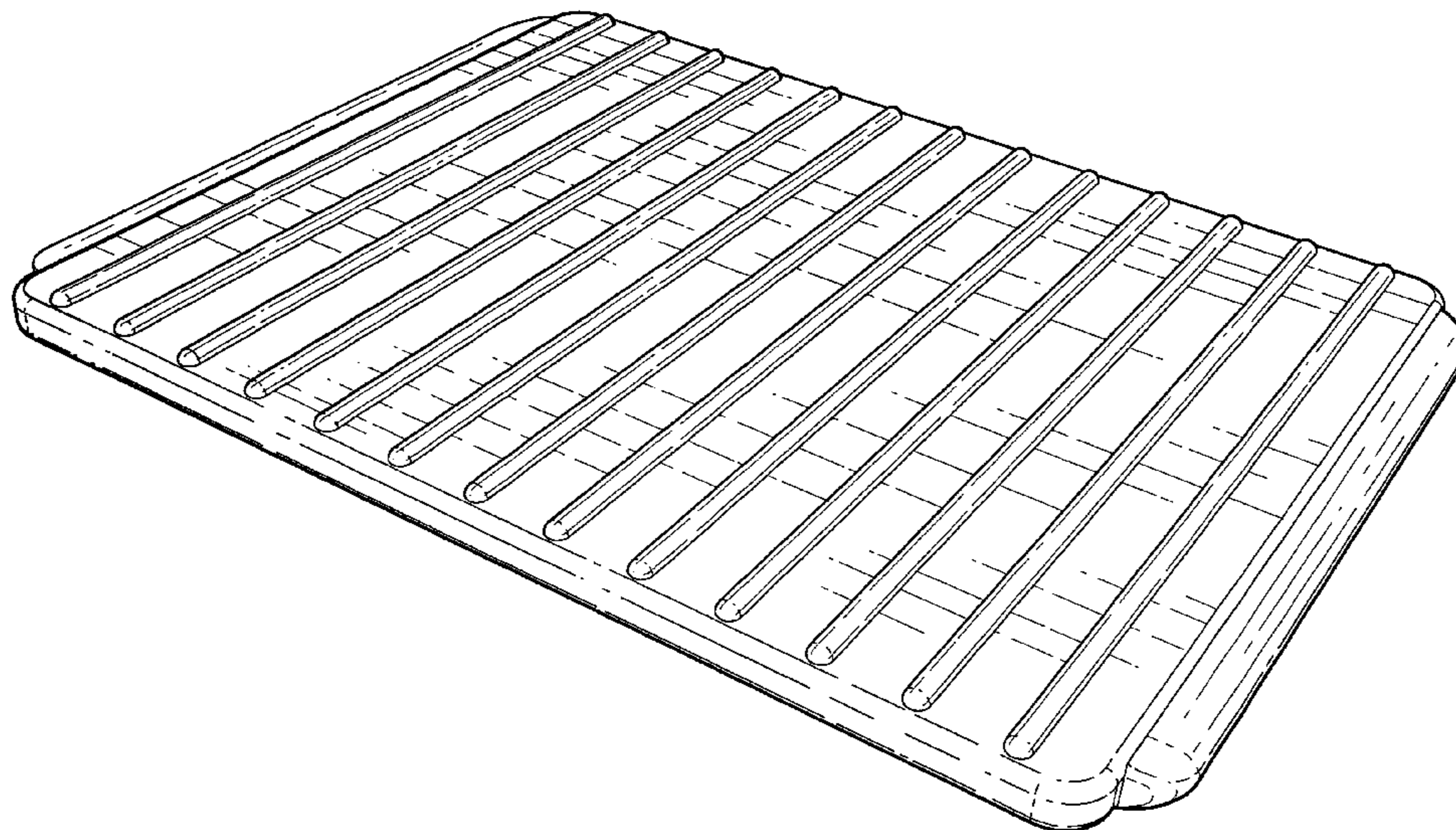
FIG. 5 is a bottom elevation view thereof.

(56) **References Cited**

U.S. PATENT DOCUMENTS

D240,390 S * 7/1976 Smith D7/698

1 Claim, 3 Drawing Sheets



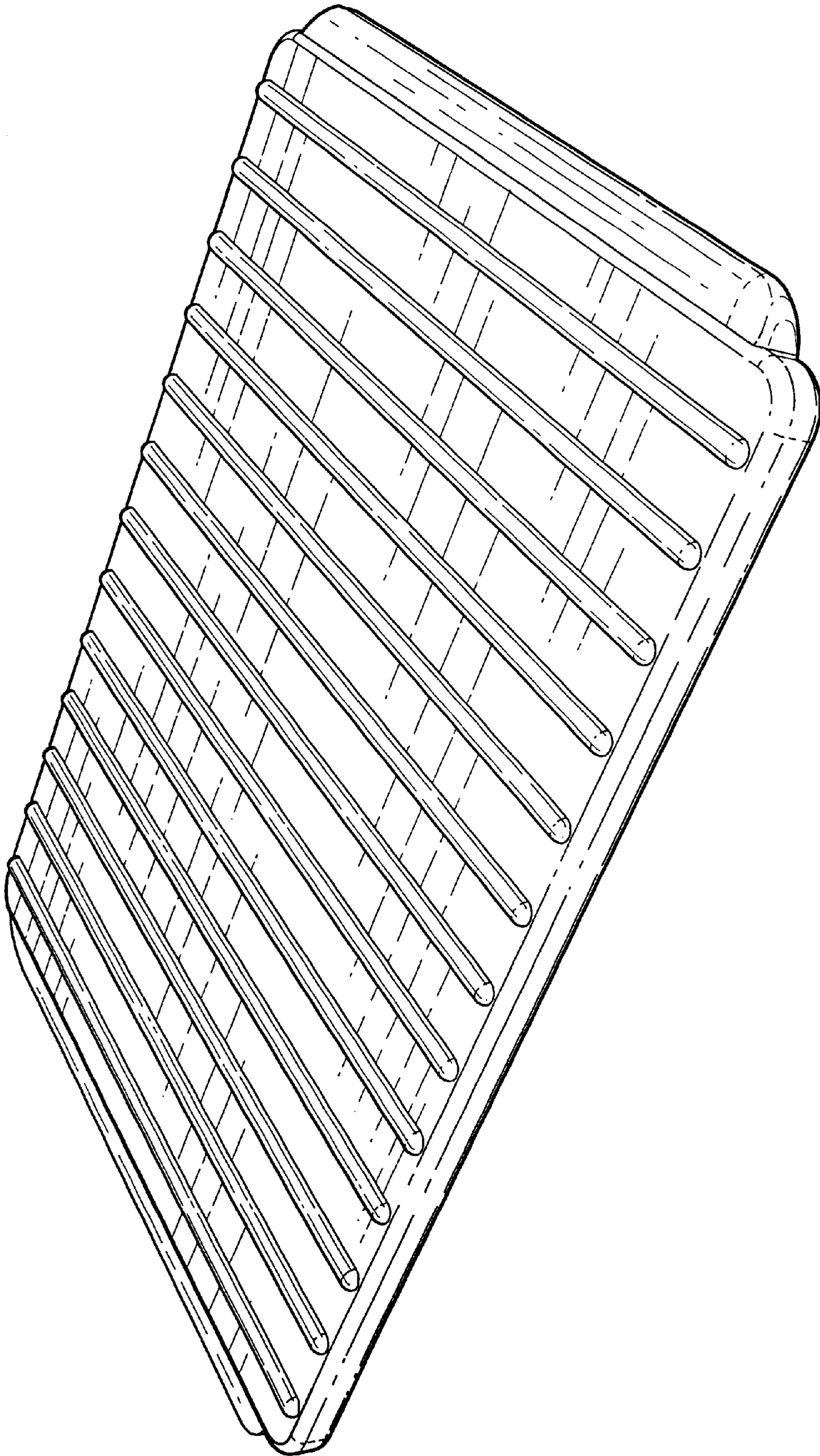


Fig. 1

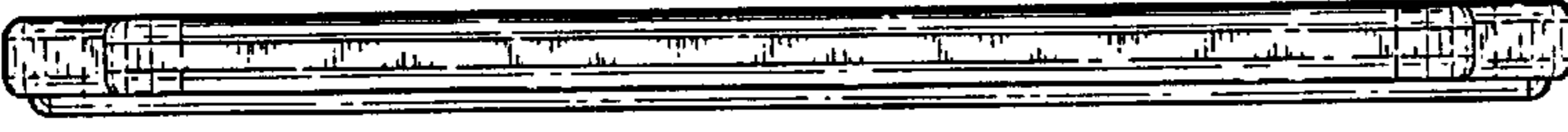


Fig. 4

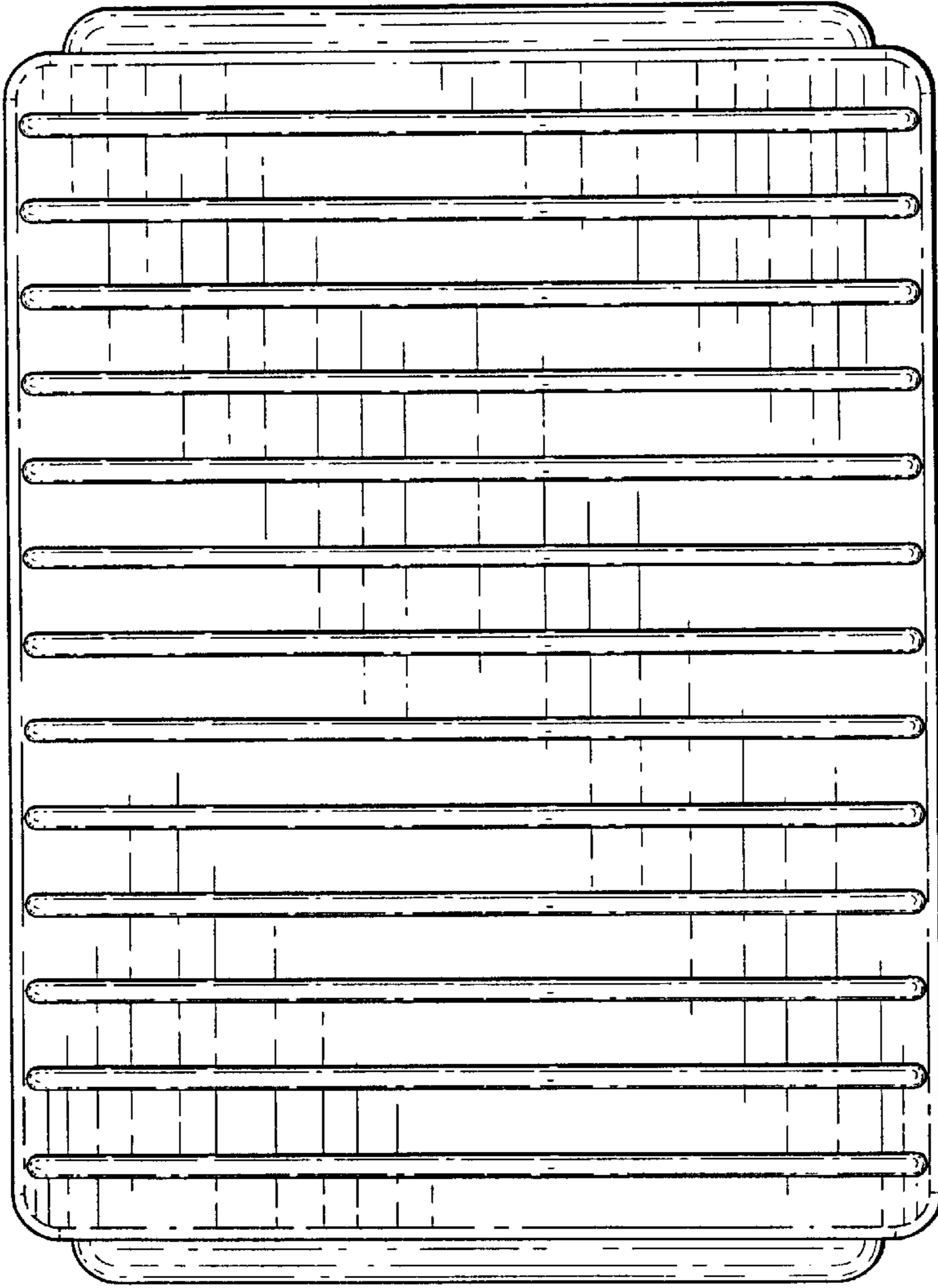


Fig. 3



Fig. 2

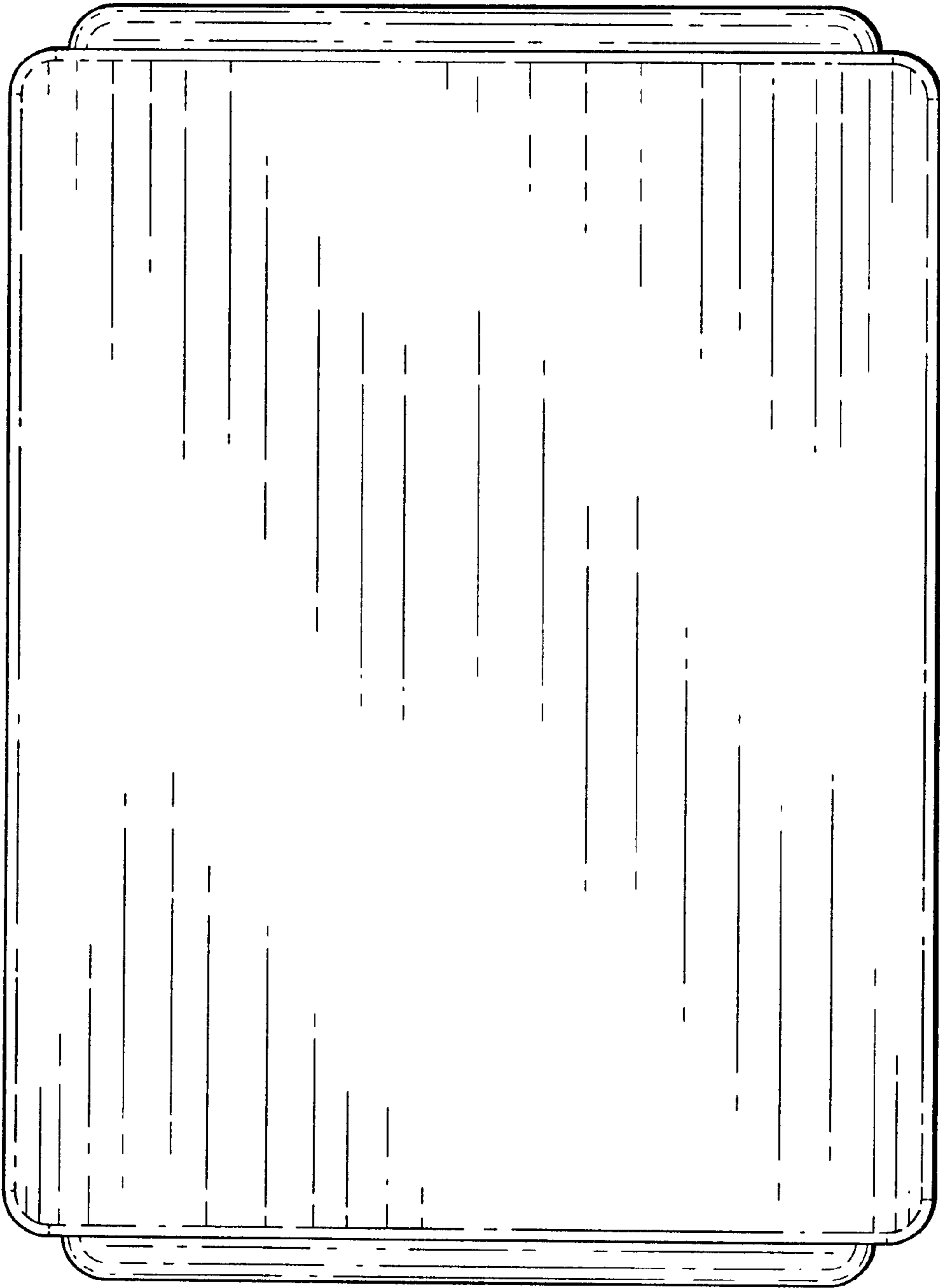


Fig. 5